



US00D761325S

(12) **United States Design Patent**
Abed

(10) **Patent No.:** **US D761,325 S**
(45) **Date of Patent:** **** Jul. 12, 2016**

(54) **REAR CRANKSHAFT SEAL HOUSING**

(71) Applicant: **Issam N. Abed**, Ottawa (CA)

(72) Inventor: **Issam N. Abed**, Ottawa (CA)

(**) Term: **14 Years**

(21) Appl. No.: **29/521,114**

(22) Filed: **Mar. 19, 2015**

(51) **LOC (10) Cl.** **15-01**

(52) **U.S. Cl.**
USPC **D15/5**

(58) **Field of Classification Search**
USPC D15/1-5
CPC F02F 7/0053; F02F 2007/0056; F02F
7/0051; F02F 7/0058; F02F 7/0065; F02F
2007/0075; F16J 15/3268
See application file for complete search history.

(56) **References Cited**

U.S. PATENT DOCUMENTS

D259,872 S *	7/1981	Ramsey	D12/126
4,484,751 A *	11/1984	Deuring	F16J 15/3268 123/198 E
4,799,691 A *	1/1989	Stritzke	F02F 7/0053 123/198 E
4,867,335 A *	9/1989	Segal	F02F 7/0065 123/198 E
5,887,576 A *	3/1999	Wheeler, Jr.	F02B 33/40 123/559.1
6,237,207 B1 *	5/2001	Vom Stein	B25B 23/08 269/47
6,250,637 B1 *	6/2001	Oricchio, Jr.	F02F 11/007 277/317
D544,509 S *	6/2007	Tiller	D12/126

D627,368 S *	11/2010	Yan	D15/5
2007/0032121 A1 *	2/2007	Kamps	F16J 15/3268 439/367
2009/0007859 A1 *	1/2009	Gamble	F01B 1/08 123/41.77
2011/0081237 A1 *	4/2011	Durocher	F01D 9/06 415/173.1

* cited by examiner

Primary Examiner — T. Chase Nelson

Assistant Examiner — Ania Aman

(74) *Attorney, Agent, or Firm* — MU Patents; Timothy Marc Shropshire

(57) **CLAIM**

The ornamental design for a rear crankshaft seal housing, as shown and described.

DESCRIPTION

FIG. 1 is a perspective view of a rear crankshaft seal housing showing my new design.

FIG. 2 is a top plan view of the rear crankshaft seal housing of FIG. 1.

FIG. 3 is a bottom plan view of the rear crankshaft seal housing of FIG. 1.

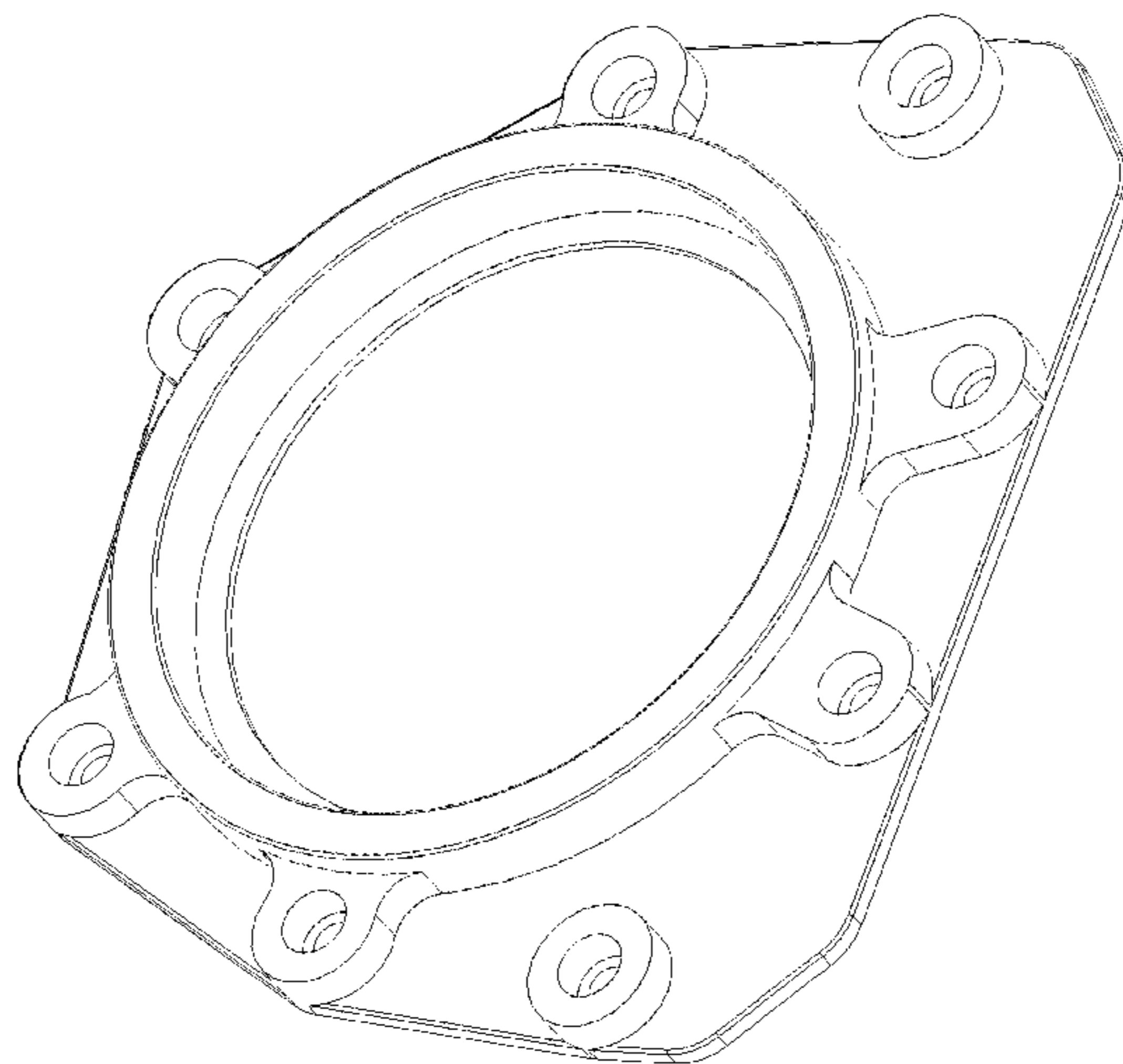
FIG. 4 is a front elevation view of the rear crankshaft seal housing of FIG. 1.

FIG. 5 is a rear elevation view of the rear crankshaft seal housing of FIG. 1.

FIG. 6 is a right elevation view of the rear crankshaft seal housing of FIG. 1; and,

FIG. 7 is a left elevation view of the rear crankshaft seal housing of FIG. 1.

1 Claim, 7 Drawing Sheets



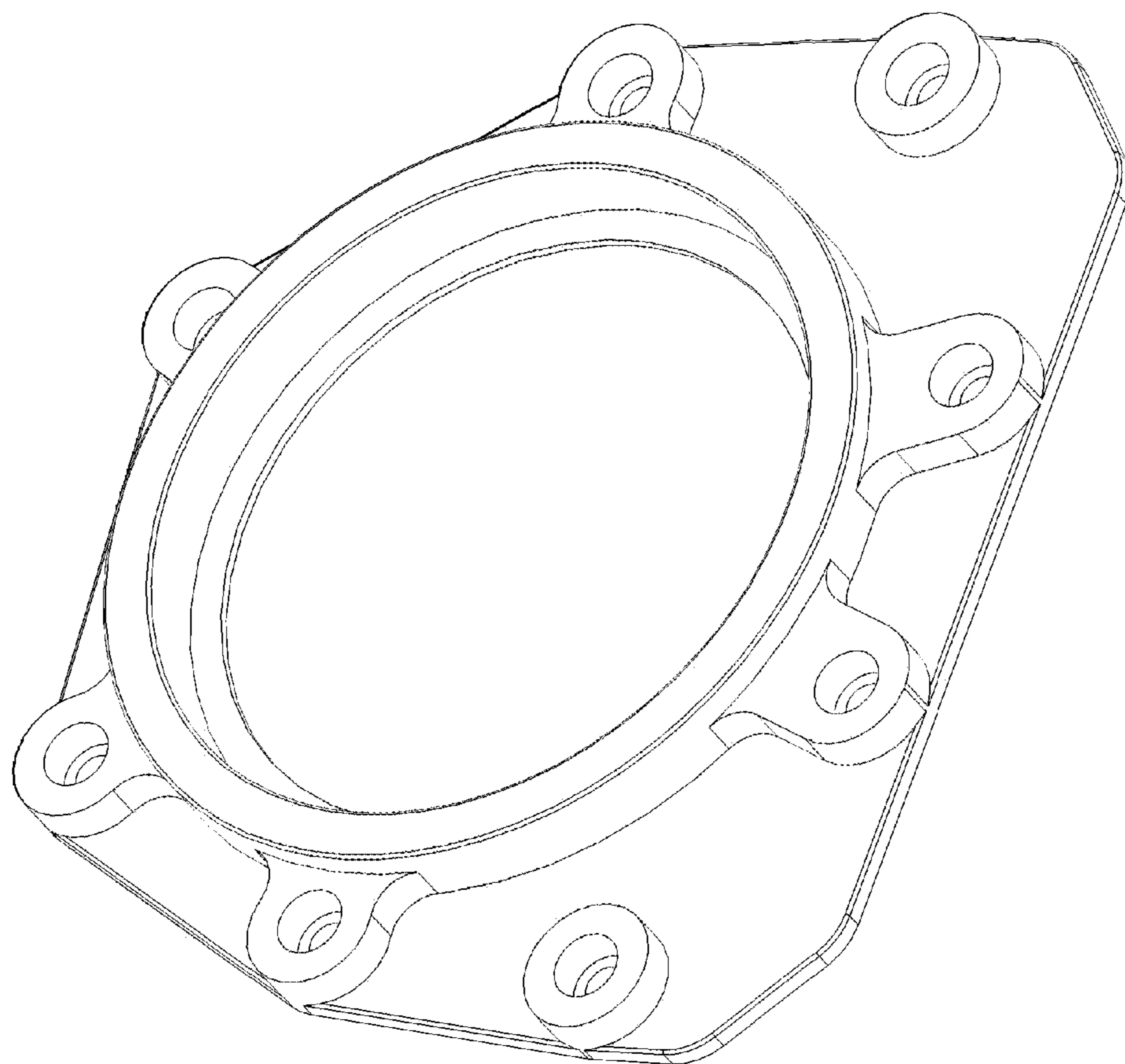


FIG. 1

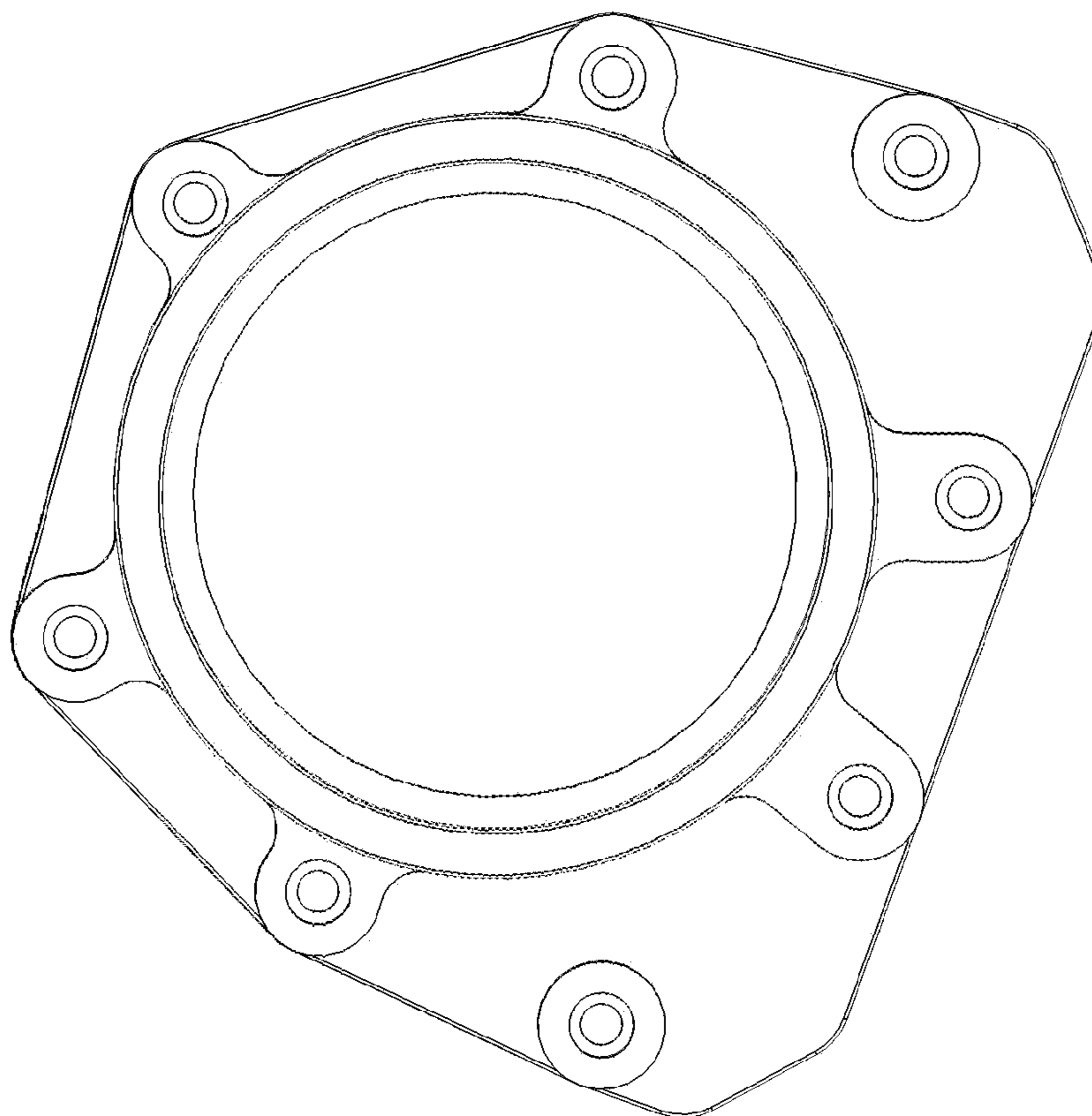


FIG. 2

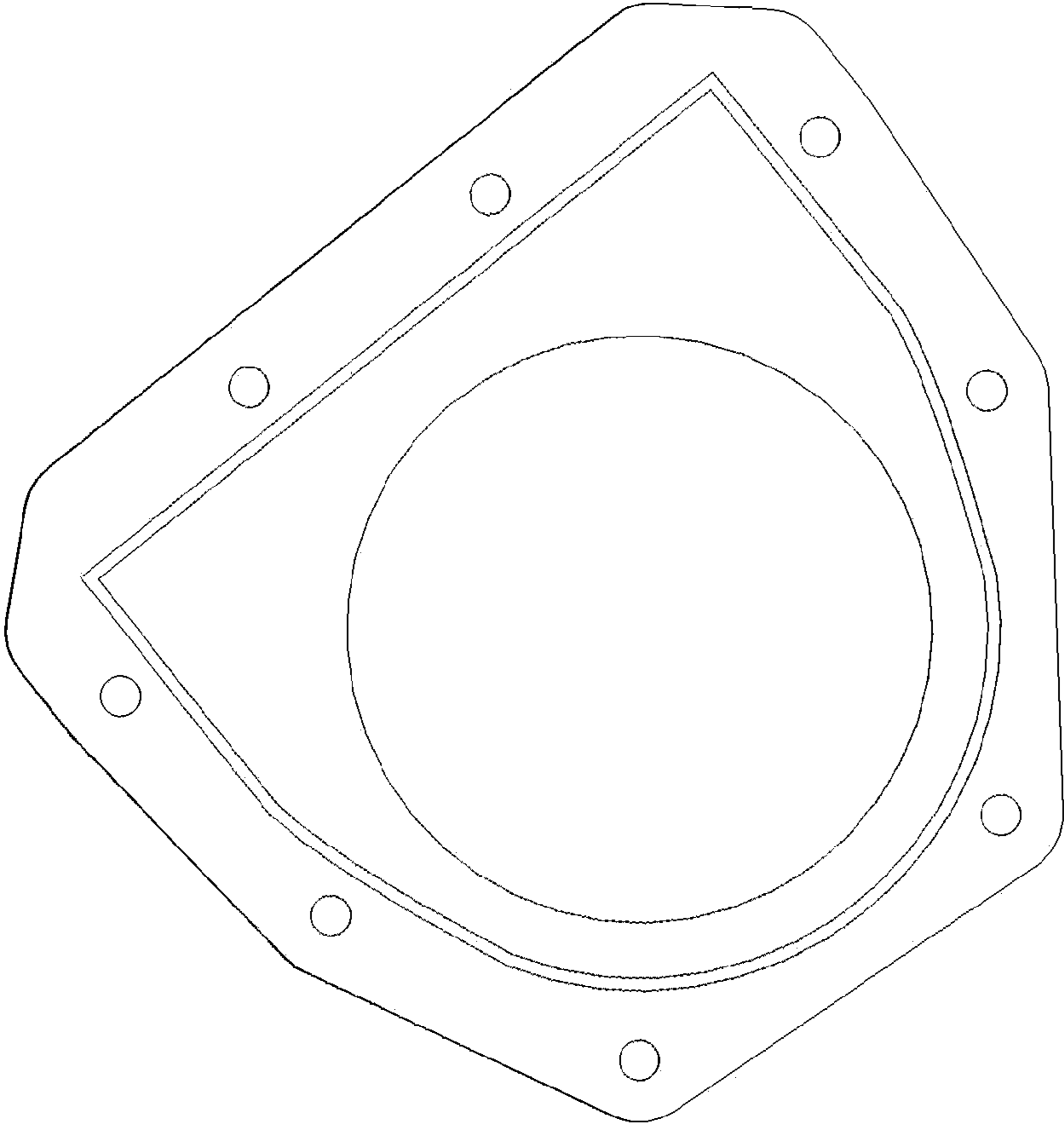


FIG. 3

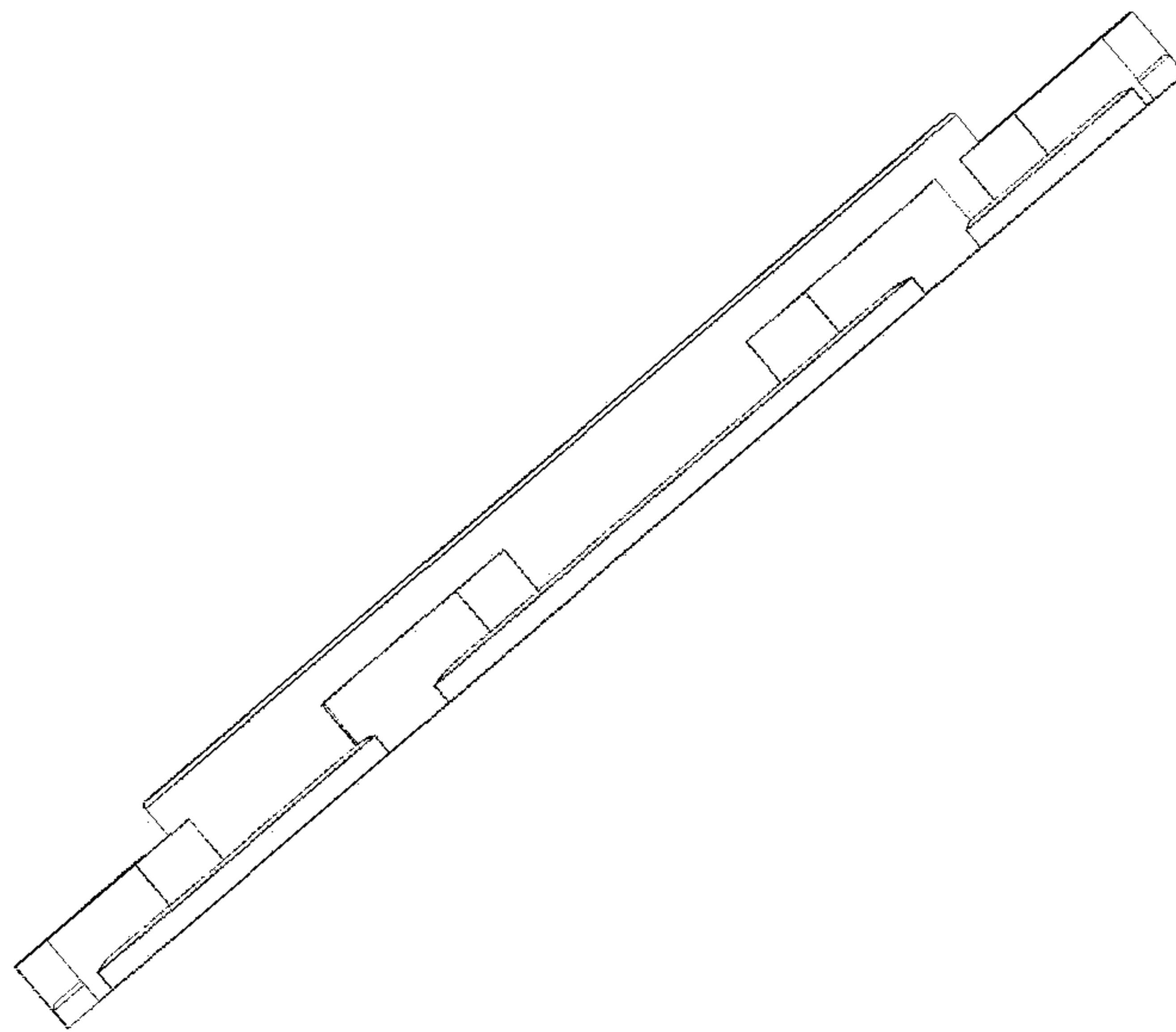


FIG. 4

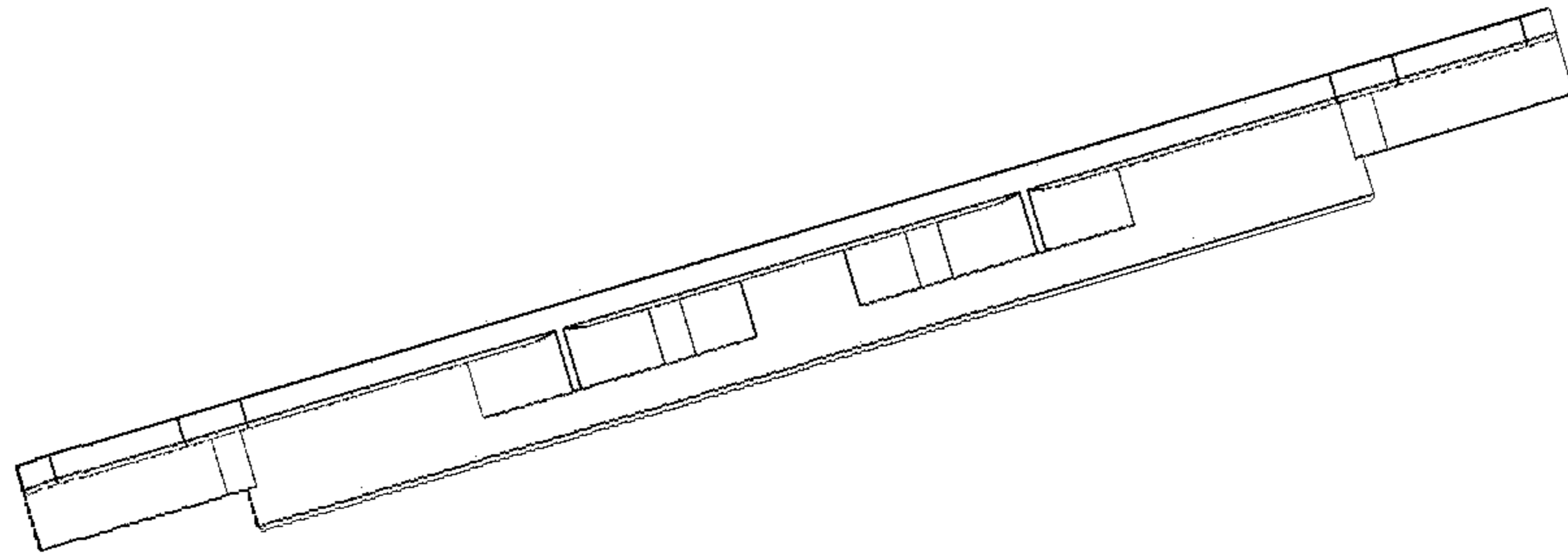


FIG. 5

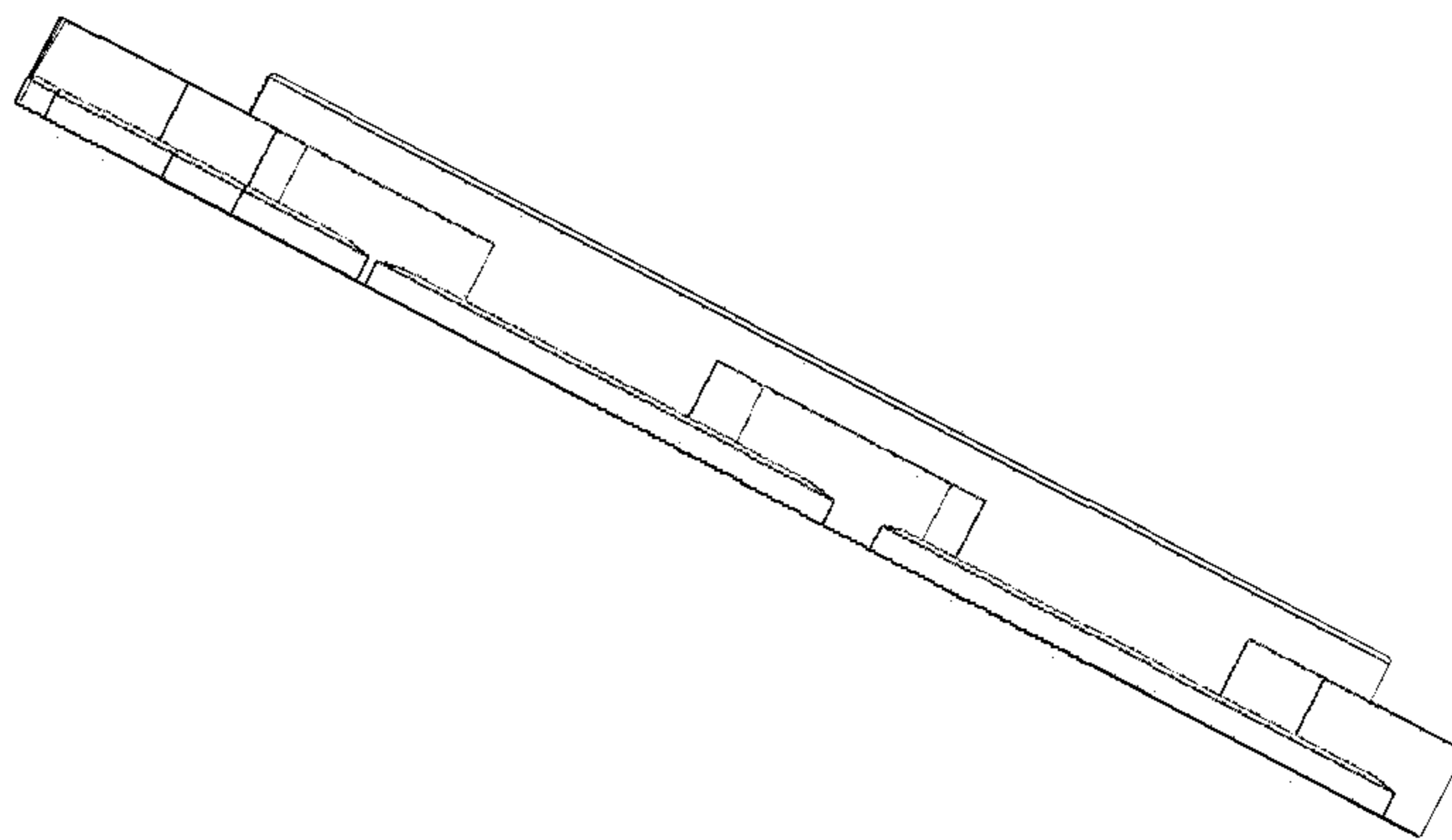


FIG. 6

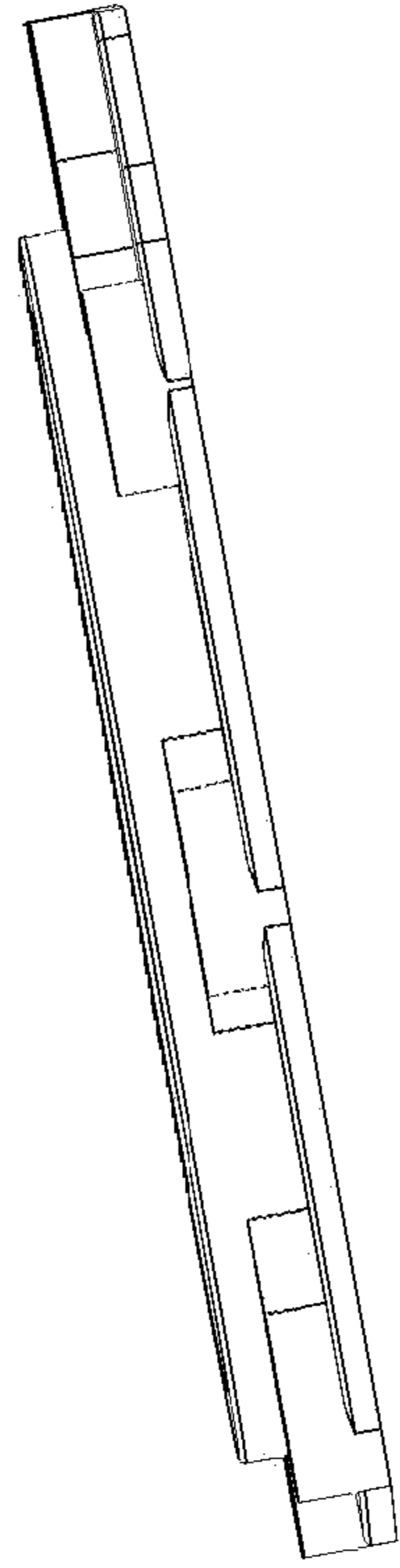


FIG. 7