



US00D761313S

(12) **United States Design Patent**
Quinn et al.

(10) **Patent No.:** **US D761,313 S**
(45) **Date of Patent:** **** Jul. 12, 2016**

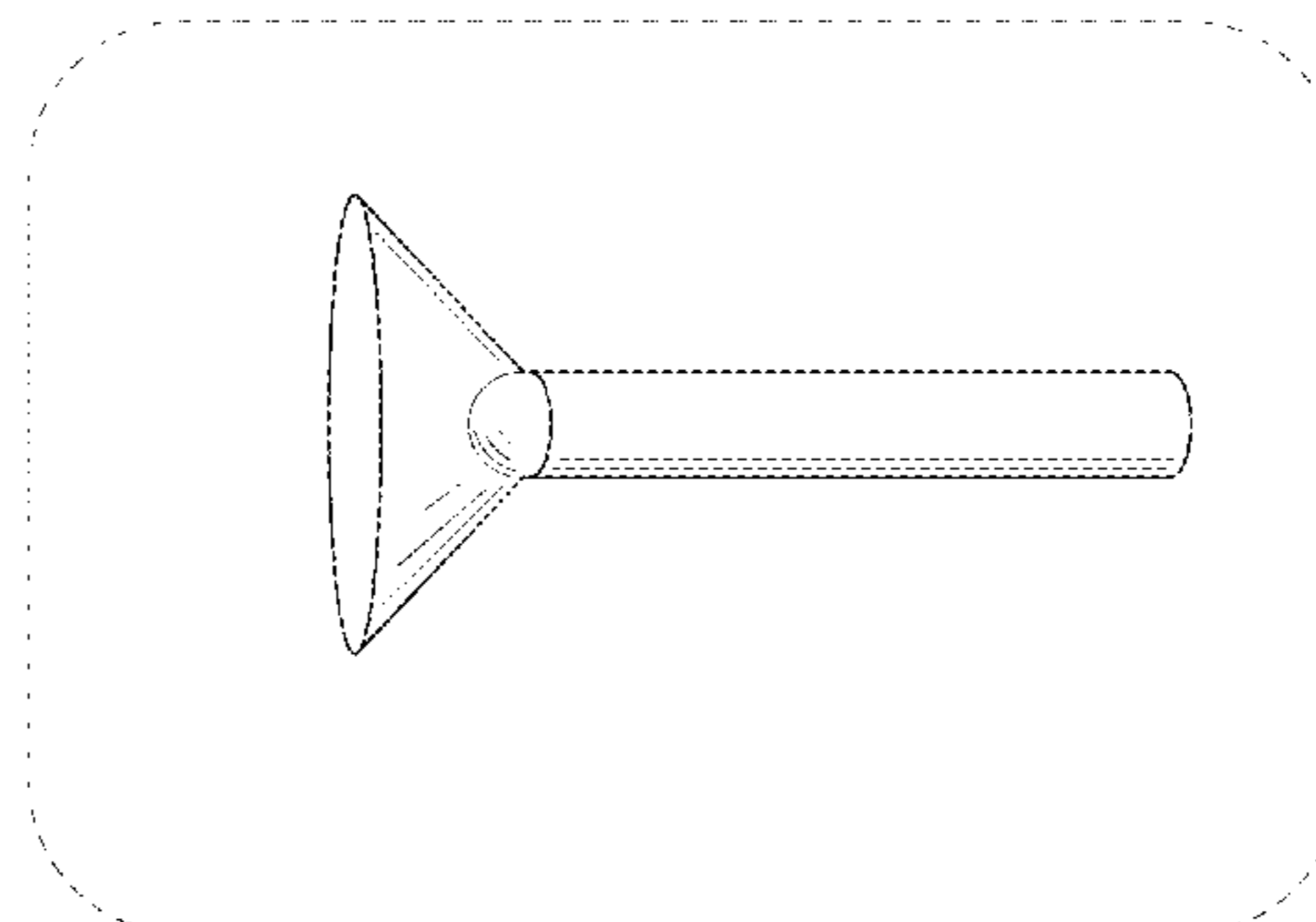
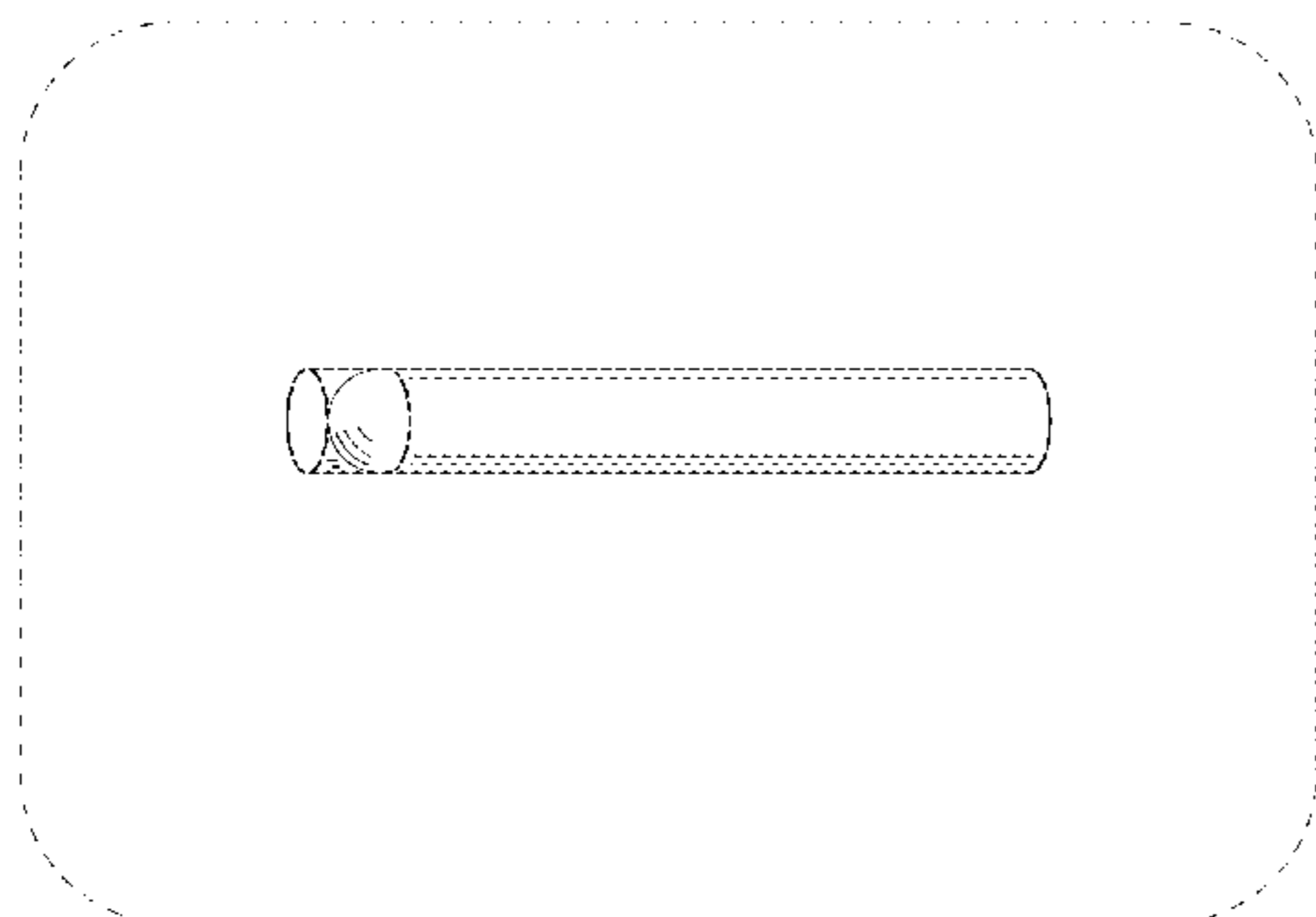
- (54) **DISPLAY SCREEN WITH A TRANSITIONAL GRAPHICAL USER INTERFACE**
- (71) Applicant: **St. Jude Medical, Cardiology Division, Inc., St. Paul, MN (US)**
- (72) Inventors: **Michael A. Quinn, St. Paul, MN (US); Daniel R. Starks, Lake Elmo, MN (US)**
- (73) Assignee: **St. Jude Medical, Cardiology Division, Inc., St. Paul, MN (US)**
- (**) Term: **14 Years**
- (21) Appl. No.: **29/489,667**
- (22) Filed: **May 1, 2014**
- (51) **LOC (10) Cl.** **14-04**
- (52) **U.S. Cl.**
USPC **D14/492**
- (58) **Field of Classification Search**
USPC D14/485-489
CPC A61B 5/02; A61B 8/46; G06F 19/34;
G06F 19/3406; G06F 19/3418; G06T
2207/30004
See application file for complete search history.

(56) **References Cited**

U.S. PATENT DOCUMENTS

D240,647	S	7/1976	Root	
D243,320	S *	2/1977	MacWilliams	D10/83
D359,545	S *	6/1995	Canler	D22/145
D362,402	S *	9/1995	Hite	D10/87
D372,308	S *	7/1996	Stuart	604/523
D401,666	S *	11/1998	Lee	D22/145
D401,997	S *	12/1998	Lee	D22/145
D401,998	S *	12/1998	Lee	D22/145
D471,599	S	3/2003	Manville	
D471,949	S *	3/2003	Thomas	D22/108
D517,123	S *	3/2006	Sidwell	D20/42
D520,576	S *	5/2006	Sonnon	D21/662
D542,914	S *	5/2007	Tanghoj	D24/112
D550,356	S *	9/2007	Anderson	D24/112
D552,733	S *	10/2007	Criscuolo	D24/133
D558,086	S *	12/2007	Herber	D11/141
D562,411	S	2/2008	Jones et al.	

D572,772	S *	7/2008	Barton	D21/440
D575,353	S *	8/2008	Barton	D21/440
D577,391	S *	9/2008	Barton	D21/440
7,511,703	B2	3/2009	Wilson et al.	
D603,044	S	10/2009	Appling et al.	
D617,448	S *	6/2010	Singh	D24/112
D625,409	S *	10/2010	Chesnin	D24/129
D626,648	S *	11/2010	Ahlgren	D24/130
D627,836	S *	11/2010	Hanoun	D21/680
D627,879	S *	11/2010	Bruns	D24/122
D628,659	S *	12/2010	Burns	D21/453
D630,321	S *	1/2011	Hamilton, Jr.	D24/133
D630,729	S *	1/2011	Bierman	D24/112
D630,733	S *	1/2011	Ahlgren	D24/130
D631,154	S *	1/2011	Hamilton, Jr.	D24/133
D640,767	S	6/2011	Renosky et al.	
D648,851	S *	11/2011	Copeland	D24/112
D657,787	S *	4/2012	Fletcher	D14/300
D659,212	S *	5/2012	Smith	D21/753
8,206,380	B2	6/2012	Lenihan et al.	
D663,743	S	7/2012	Tanghe et al.	
D663,744	S	7/2012	Tanghe et al.	
D689,089	S	9/2013	Impas et al.	
8,532,738	B2	9/2013	Zino	
D699,745	S	2/2014	Pearson et al.	
D700,318	S *	2/2014	Amoah	D24/112
D704,330	S *	5/2014	Cicatelli	D24/122
D705,925	S *	5/2014	Murray	D24/112
8,849,382	B2 *	9/2014	Cox	A61B 5/06 600/509
8,979,842	B2 *	3/2015	McNall, III	A61B 18/1485 606/46
D727,437	S *	4/2015	Padilla	D21/439
9,005,106	B2 *	4/2015	Gross	A61N 1/05 600/18
9,113,843	B2 *	8/2015	Manstrom	A61B 5/02028
D738,434	S	9/2015	Baumann et al.	
D738,960	S *	9/2015	Padilla	D21/440
D738,961	S *	9/2015	Padilla	D21/440
D739,472	S *	9/2015	Padilla	D21/440
D739,473	S *	9/2015	Padilla	D21/440
9,125,600	B2 *	9/2015	Steube	A61B 5/1411
9,125,655	B2 *	9/2015	Gharib	A61B 17/12013
9,140,715	B2 *	9/2015	Wilson	B01L 3/5085
9,144,449	B2	9/2015	Burr et al.	
D741,901	S	10/2015	Gardner et al.	
9,152,829	B2 *	10/2015	Day	A61M 5/20
9,186,063	B2	11/2015	Goldman et al.	
D748,137	S *	1/2016	Merschon	D14/492
D753,150	S	4/2016	Chmiel et al.	
9,326,700	B2	5/2016	Govari et al.	
2008/0091121	A1	4/2008	Sun et al.	
2008/0294144	A1	11/2008	Leo et al.	



2009/0177111	A1	7/2009	Miller et al.
2010/0169815	A1	7/2010	Zhao et al.
2011/0144524	A1	6/2011	Fish et al.
2012/0157825	A1	6/2012	Koyrakh et al.
2012/0172713	A1	7/2012	Carbonera et al.
2012/0237105	A1	9/2012	Mielekamp
2014/0100484	A1	4/2014	Tsusaka et al.
2015/0313547	A1	11/2015	Quinn et al.

FOREIGN PATENT DOCUMENTS

EP	2248480	A1	11/2010
EP	2201890	B1	1/2013
WO	2010147972	A1	12/2010

OTHER PUBLICATIONS

Medical Device Breakthrough, posted at PRNewsWire.com by Boston Children's Hospital, posted Oct. 5, 2015, © 2016 PR Newswire Association LLC, [site visited Feb. 2, 2016]. Available from internet: <<http://www.prnewswire.com/news-releases/medical-device-breakthrough-uv--light-enabled-catheter-fixes-holes-in-the-heart-without-invasive-surgery-300154020.html>>.*

Filling That Hole in Your Heart, posted at Txchnologist.com by Boston Children's Hospital, posting date not posted, [site visited Feb. 2, 2016]. Available from internet: <<http://txchnologist.com/post/131031232425/filling-that-hole-in-your-heart-repairing-defects>>.*

Alternative to Open Heart Bypass Surgery at Sanford Health, posted at Medical-Horizons.net, posted May 9, 2013, © 2016 Medical Horizon, [site visited Feb. 2, 2016]. Available from internet: <<http://www.medical-horizons.net/blog-view.php?id=70>>.*

Heart Catheter, posted at Cat-Medic.com by Springer Medicine via Cat Production, posting date not posted, © 2015 Cat Production GmbH, [site visited Feb. 2, 2016]. Available from internet: <<http://www.cat-medic.com/otw-portfolio/heart-catheter/>>.*

Kwok et al., "MRI-based visual and haptic catheter feedback: simulating a novel system's contribution to efficient and safe MRI-guided cardiac electrophysiology procedures," *Journal of Cardiovascular Magnetic Resonance* (<http://www.jcmr-online.com/content/16/S1/O50>), Jan. 16, 2014, pp. 1-3.

Kesner, Samuel B. et al., "Discriminating Tissue Stiffness with a Haptic Catheter: Feeling the Inside of the Beating Heart," *IEEE—World Haptics Conference 2011*, Jun. 22-24, 2011, Istanbul, Turkey, pp. 1-6.

Biosense Webster, Inc., ThermoCool*SmartTouch* Contact Force Sensing Catheter [Brochure]. (2011) (http://www.incathlab.com/files/12110_brochure_SmartTouch_Bdef.pdf), n.p., n. pag.

'Death Worm Gameplay'. youtube.com [online]. Jul. 27, 2008. Retrieved from the Internet: <[URL:https://www.youtube.com/watch?v=jBSgw7XgRIU](https://www.youtube.com/watch?v=jBSgw7XgRIU)>.

'Heart Catheterization Animation'. WebMD.com [online]. Jan. 23, 2014. Retrieved from the Internet: <[URL:http://www.webmd.com/heart-disease/video/cardiac-catherization](http://www.webmd.com/heart-disease/video/cardiac-catherization)>.

'Insulin pen instruction animation'. youtube.com [online]. Sep. 16, 2011. Retrieved from the Internet: <[URL:https://www.youtube.com/watch?v=INo.8_IoL_3g](https://www.youtube.com/watch?v=INo.8_IoL_3g)>.

'Nerf Dart Greenscreen'. youtube.com [online]. Jun. 10, 2013. Retrieved from the Internet: <[URL:https://www.youtube.com/watch?v=OTRbM0Dt_W4](https://www.youtube.com/watch?v=OTRbM0Dt_W4)>.

* cited by examiner

Primary Examiner — Karen E Kearney

Assistant Examiner — Alyse Joseph

(74) *Attorney, Agent, or Firm* — Dykema Gossett PLLC

(57) **CLAIM**

The ornamental design for a display screen with a transitional graphical user interface, as shown and described.

DESCRIPTION

FIG. 1 illustrates a front view of a first image in a sequence for a display screen with an animated graphical user interface, showing our new design;

FIG. 2 illustrates a front view of a second image thereof;

FIG. 3 illustrates a front view of a third image thereof;

FIG. 4 illustrates a front view of a fourth image thereof;

FIG. 5 illustrates a front view of a fifth image thereof;

FIG. 6 illustrates a front view of a sixth image thereof;

FIG. 7 illustrates a front view of a seventh image thereof;

FIG. 8 illustrates a front view of an eighth image thereof;

FIG. 9 illustrates a front view of a ninth image thereof;

FIG. 10 illustrates a front view of a tenth image thereof;

FIG. 11 illustrates a front view of an eleventh image thereof;

FIG. 12 illustrates a front view of a twelfth image thereof;

FIG. 13 illustrates a front view of a thirteenth image thereof;

FIG. 14 illustrates a front view of a fourteenth image thereof;

FIG. 15 illustrates a front view of a fifteenth image thereof;

FIG. 16 illustrates a front view of a sixteenth image thereof;

FIG. 17 illustrates a front view of a seventeenth image thereof;

FIG. 18 illustrates a front view of an eighteenth image thereof;

FIG. 19 illustrates a front view of a nineteenth image thereof;

FIG. 20 illustrates a front view of a twentieth image thereof;

FIG. 21 illustrates a front view of a twenty-first image thereof;

FIG. 22 illustrates a front view of a twenty-second image thereof;

FIG. 23 illustrates a front view of a twenty-third image thereof;

FIG. 24 illustrates a front view of a twenty-fourth image thereof;

FIG. 25 illustrates a front view of a twenty-fifth image thereof;

FIG. 26 illustrates a front view of a twenty-sixth image thereof;

FIG. 27 illustrates a front view of a twenty-seventh image thereof;

FIG. 28 illustrates a front view of a twenty-eighth image thereof;

FIG. 29 illustrates a front view of a twenty-ninth image thereof;

FIG. 30 illustrates a front view of a thirtieth image thereof;

FIG. 31 illustrates a front view of a thirty-first image thereof;

and,

FIG. 32 illustrates a front view of a thirty-second image thereof.

The appearance of the transitional image sequentially transitions between the images shown in FIGS. 1-32. The process or period in which one image transitions to another forms no part of the claimed invention.

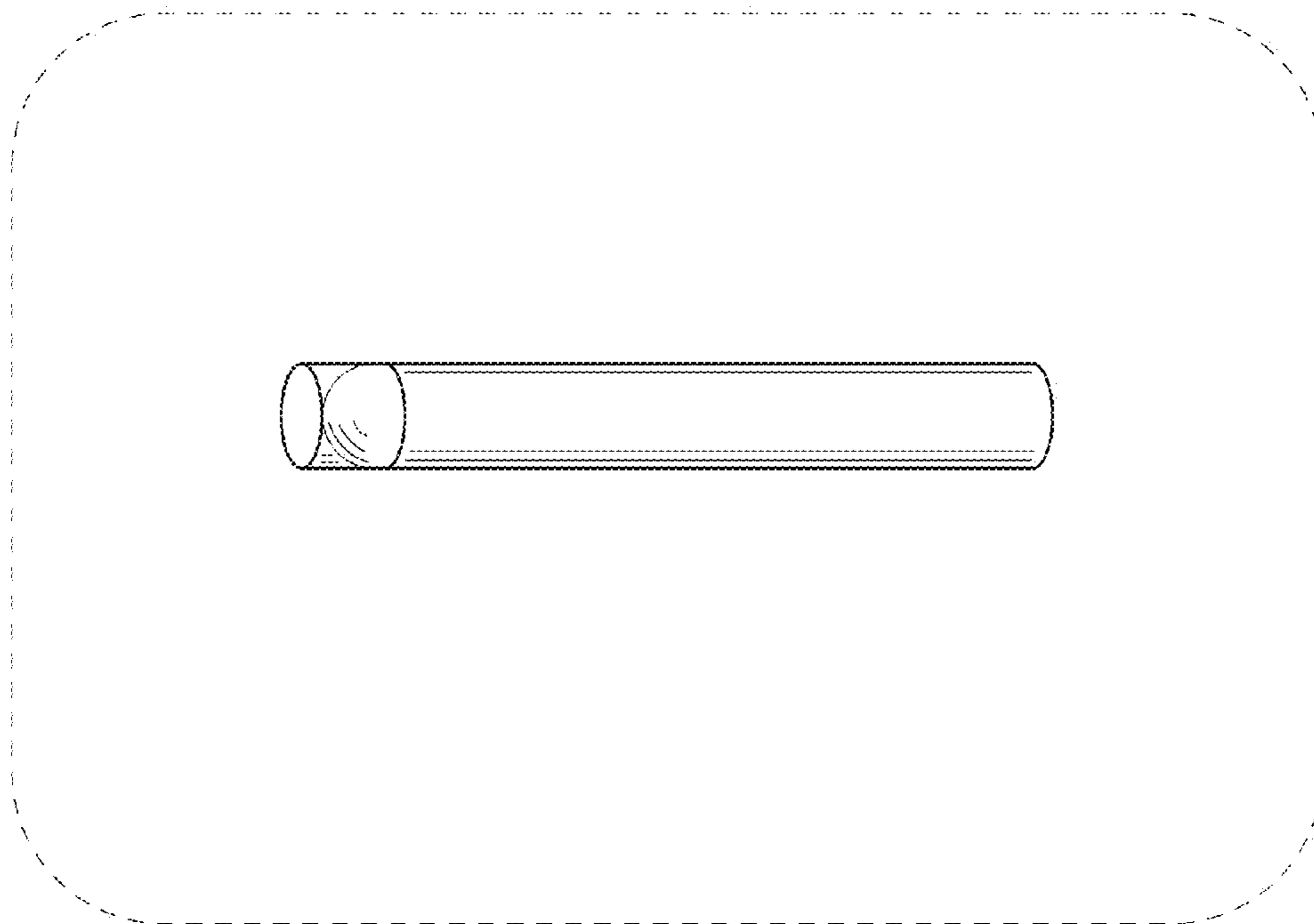


FIG.1

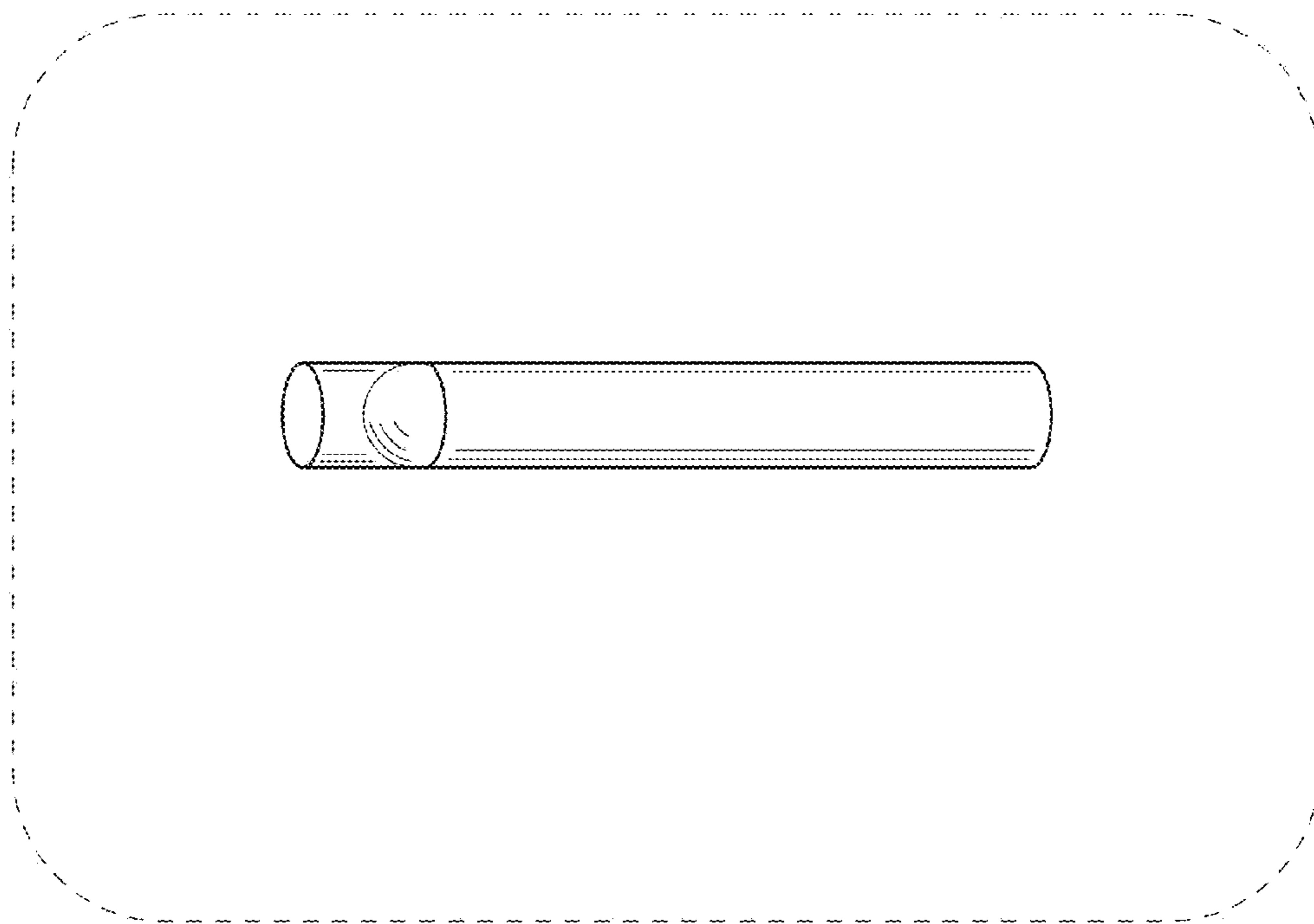


FIG.2

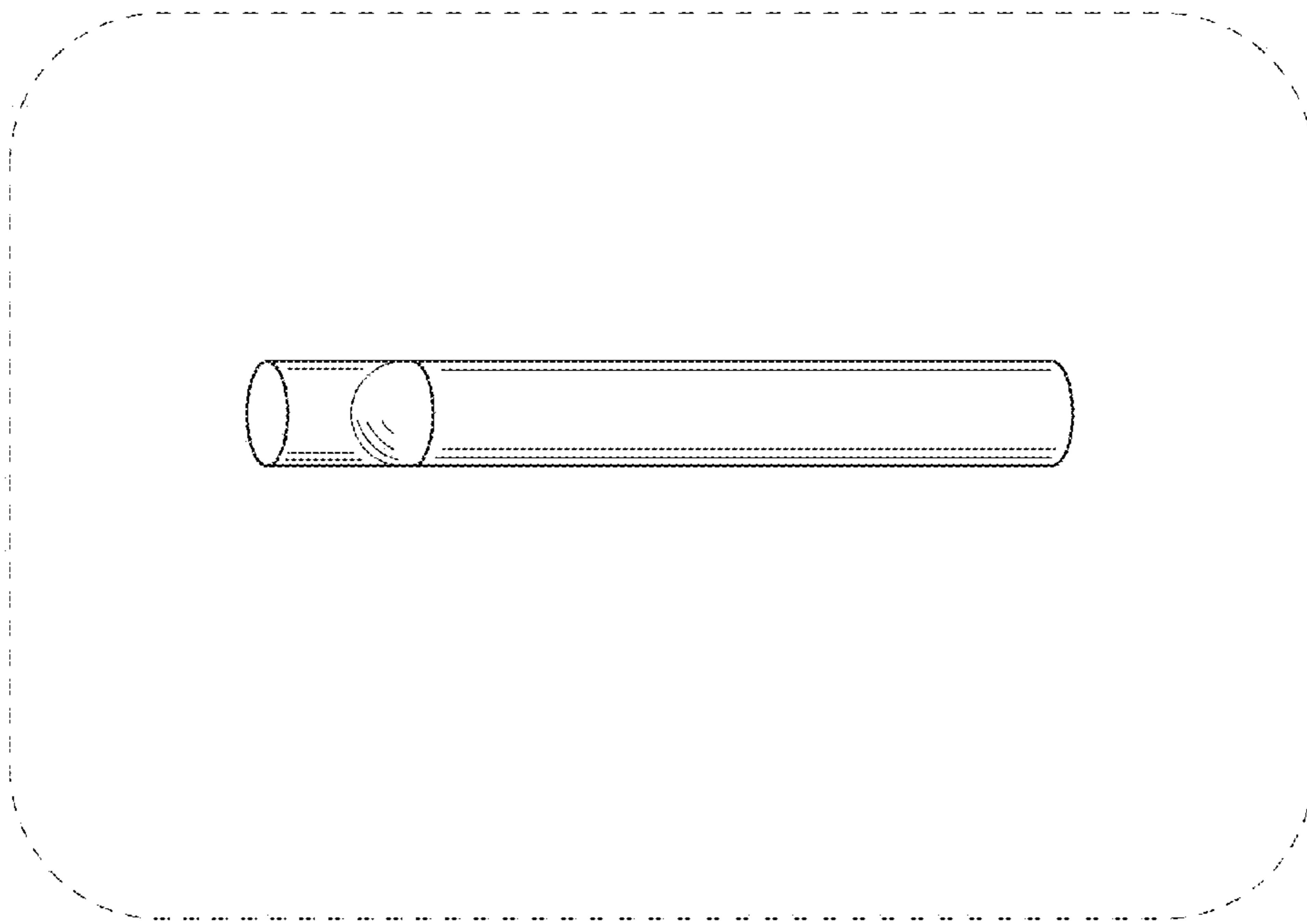


FIG.3

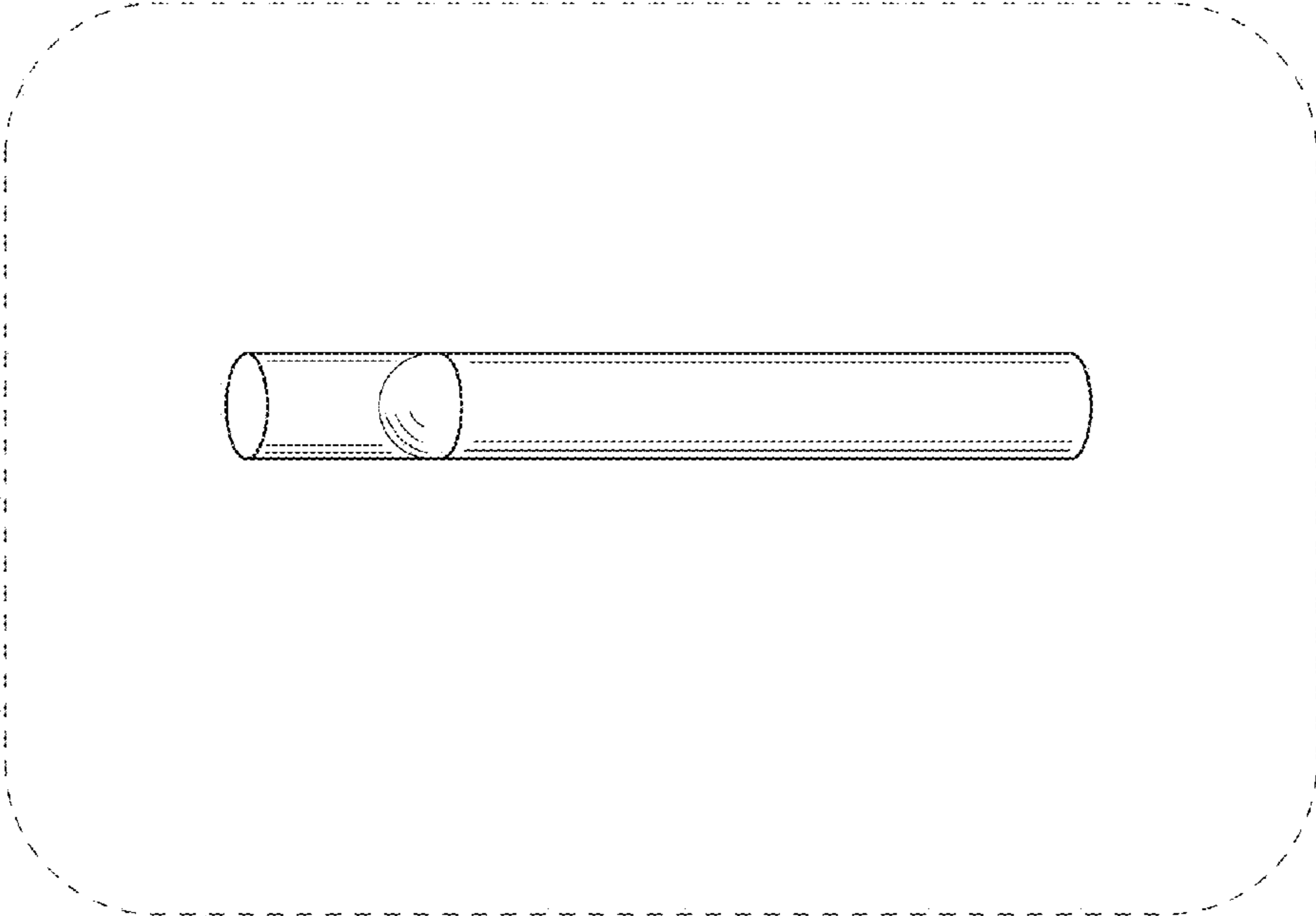


FIG.4

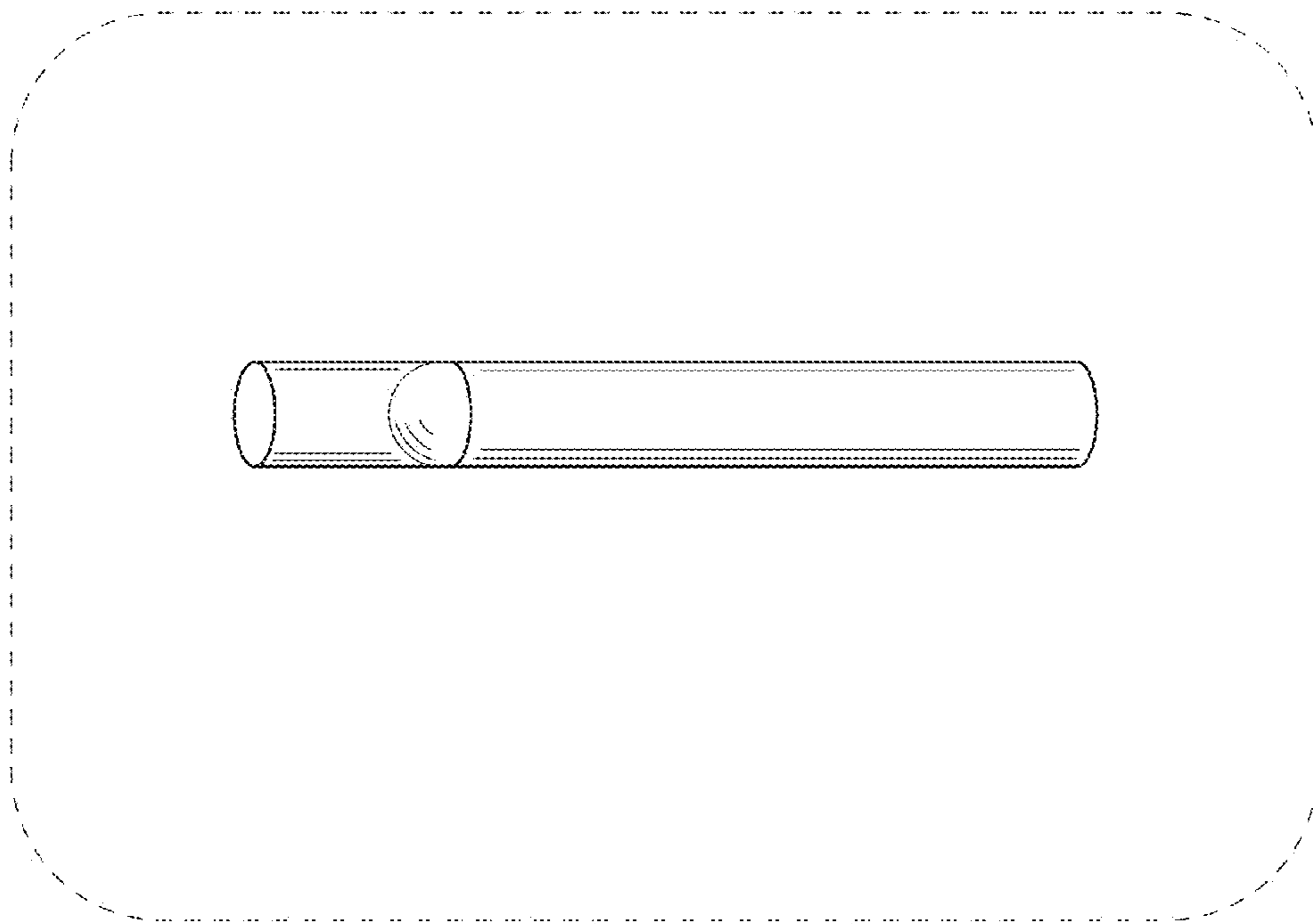


FIG.5

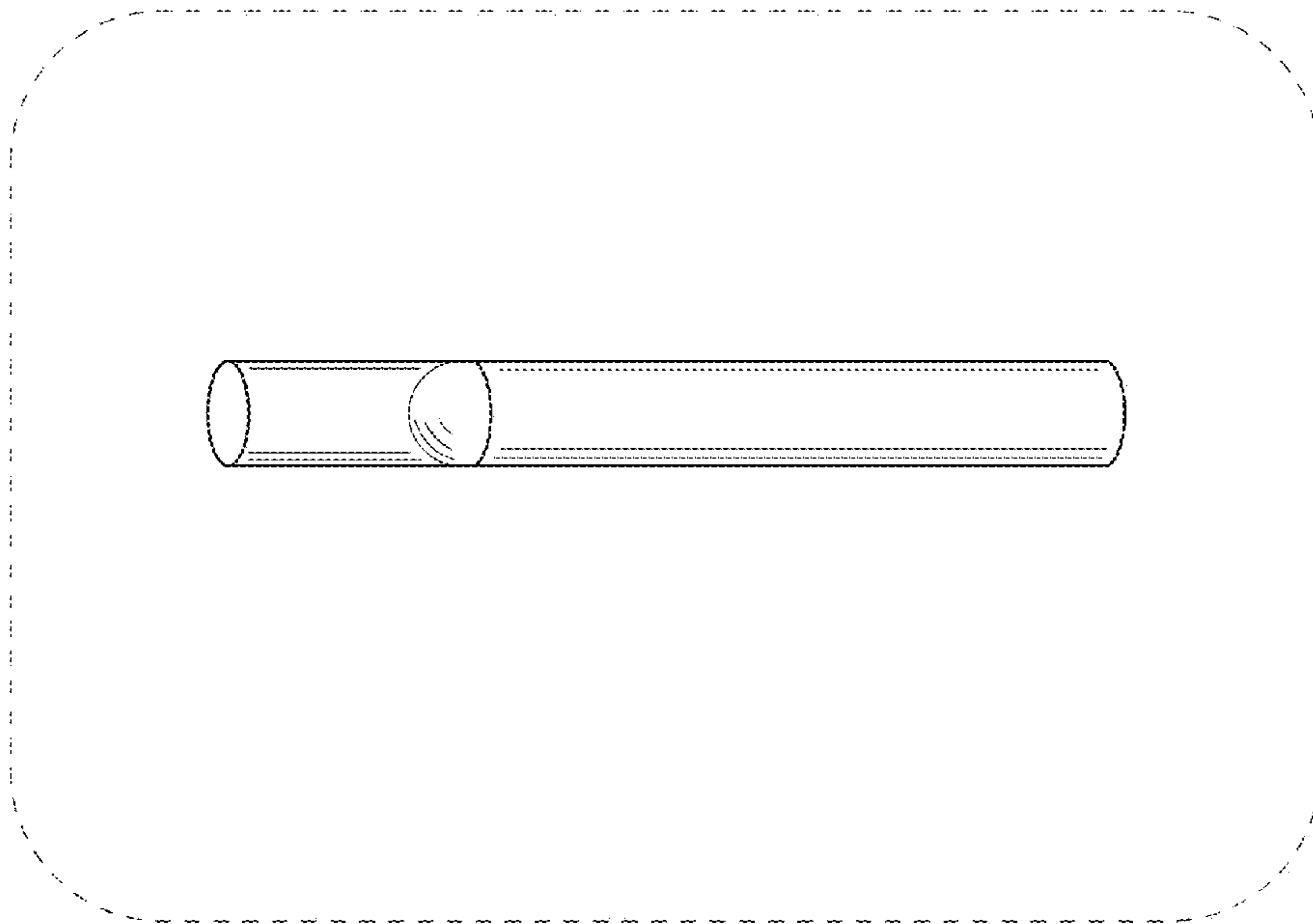


FIG.6

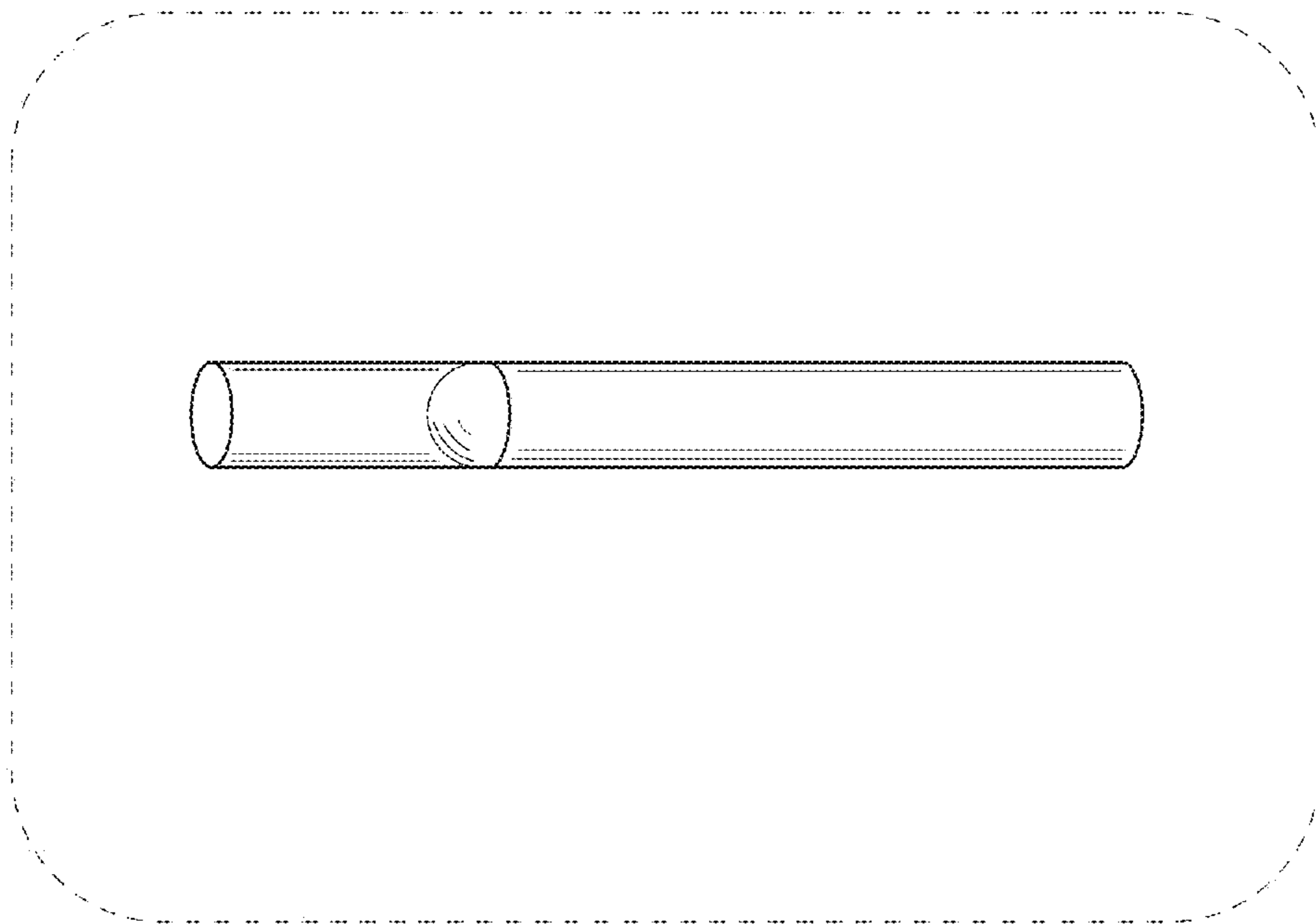


FIG.7

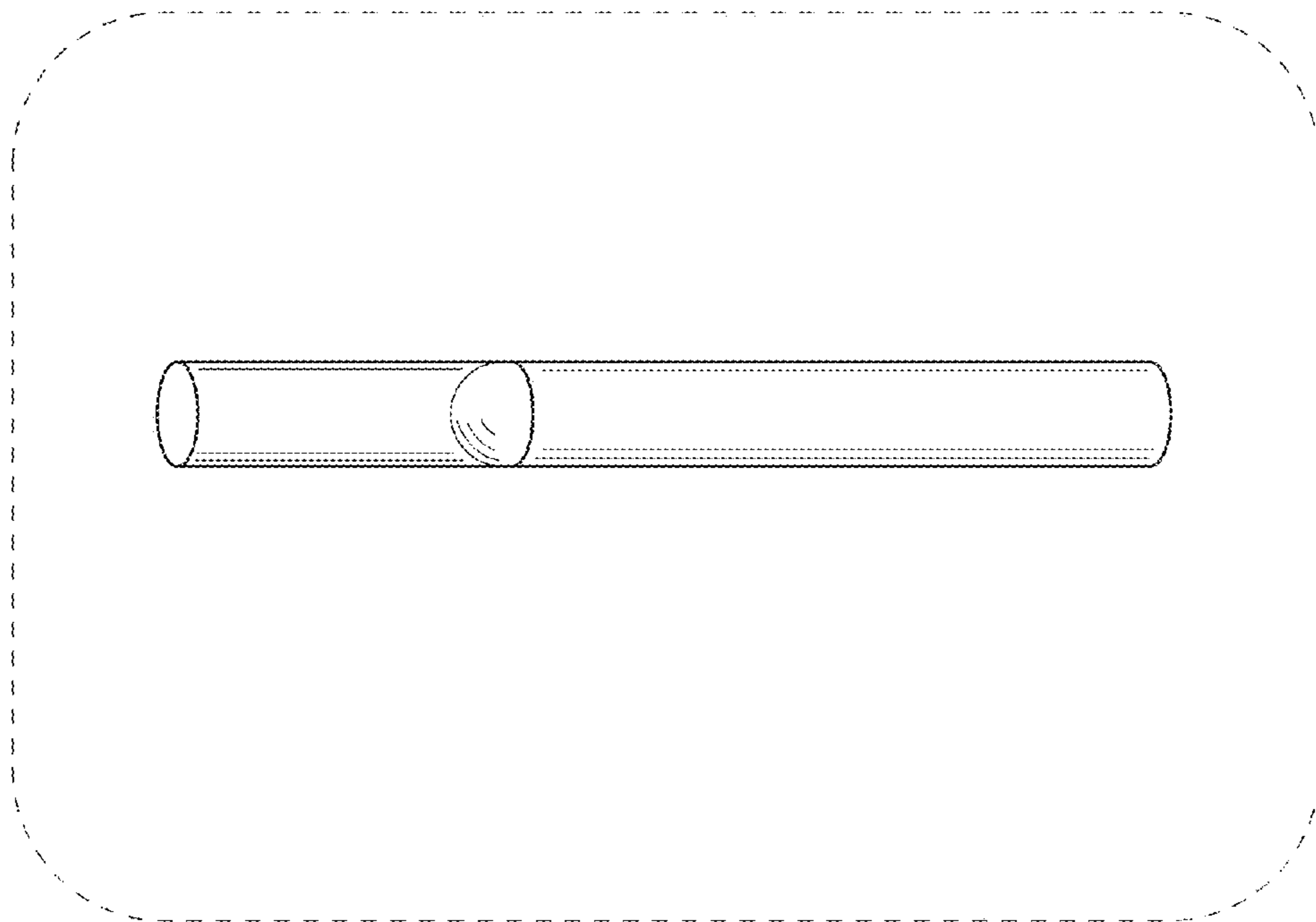


FIG.8

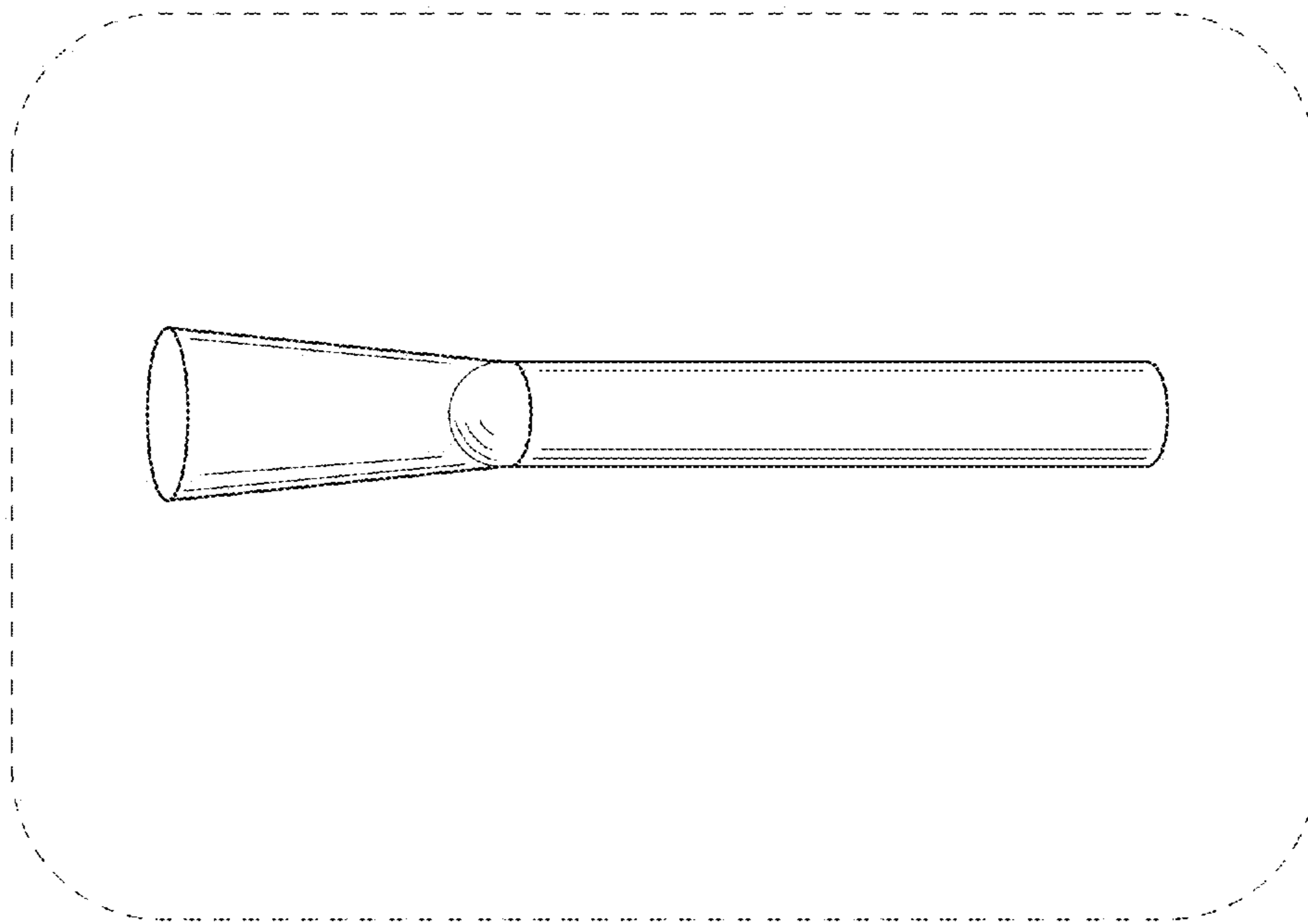


FIG.9

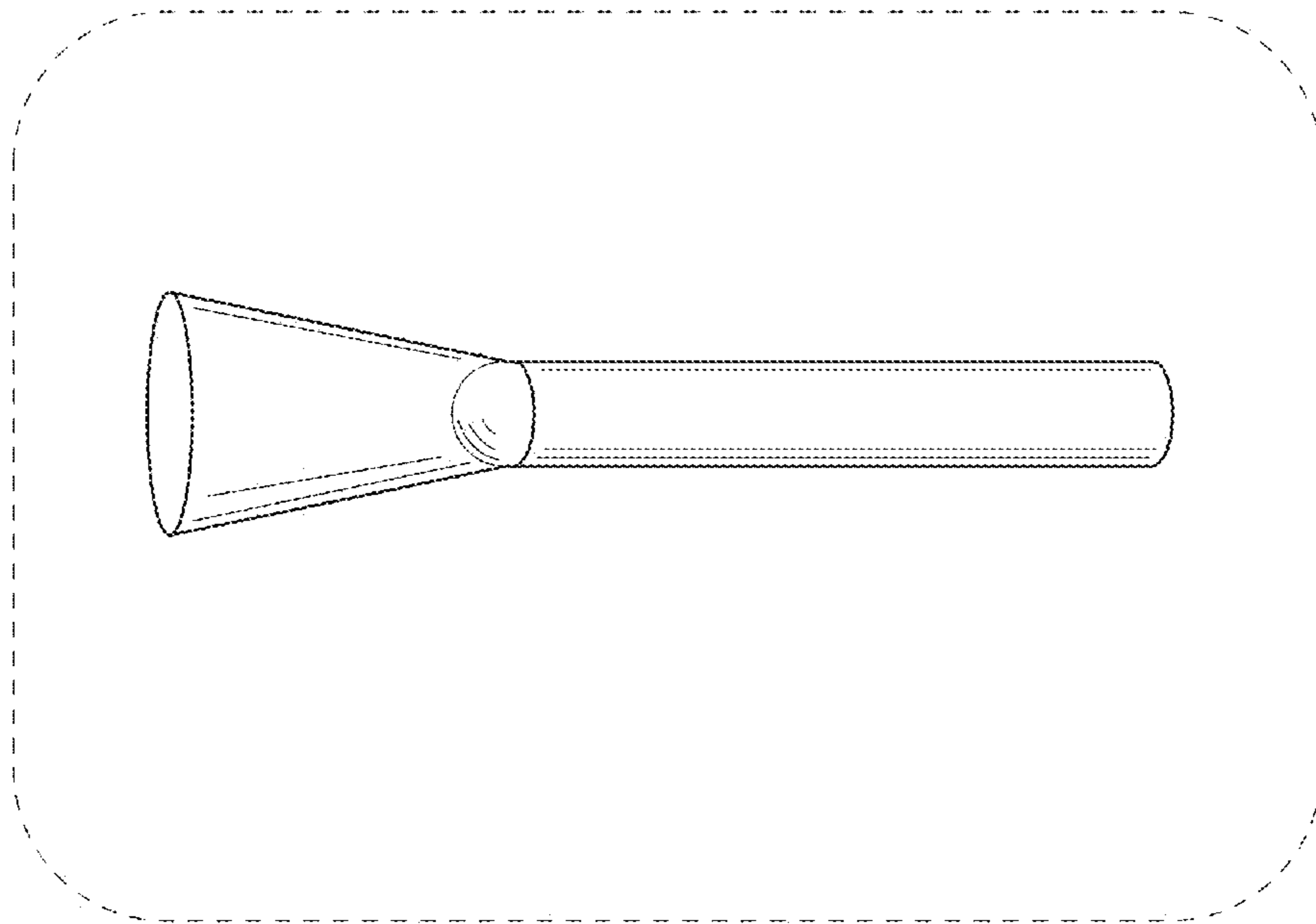


FIG. 10

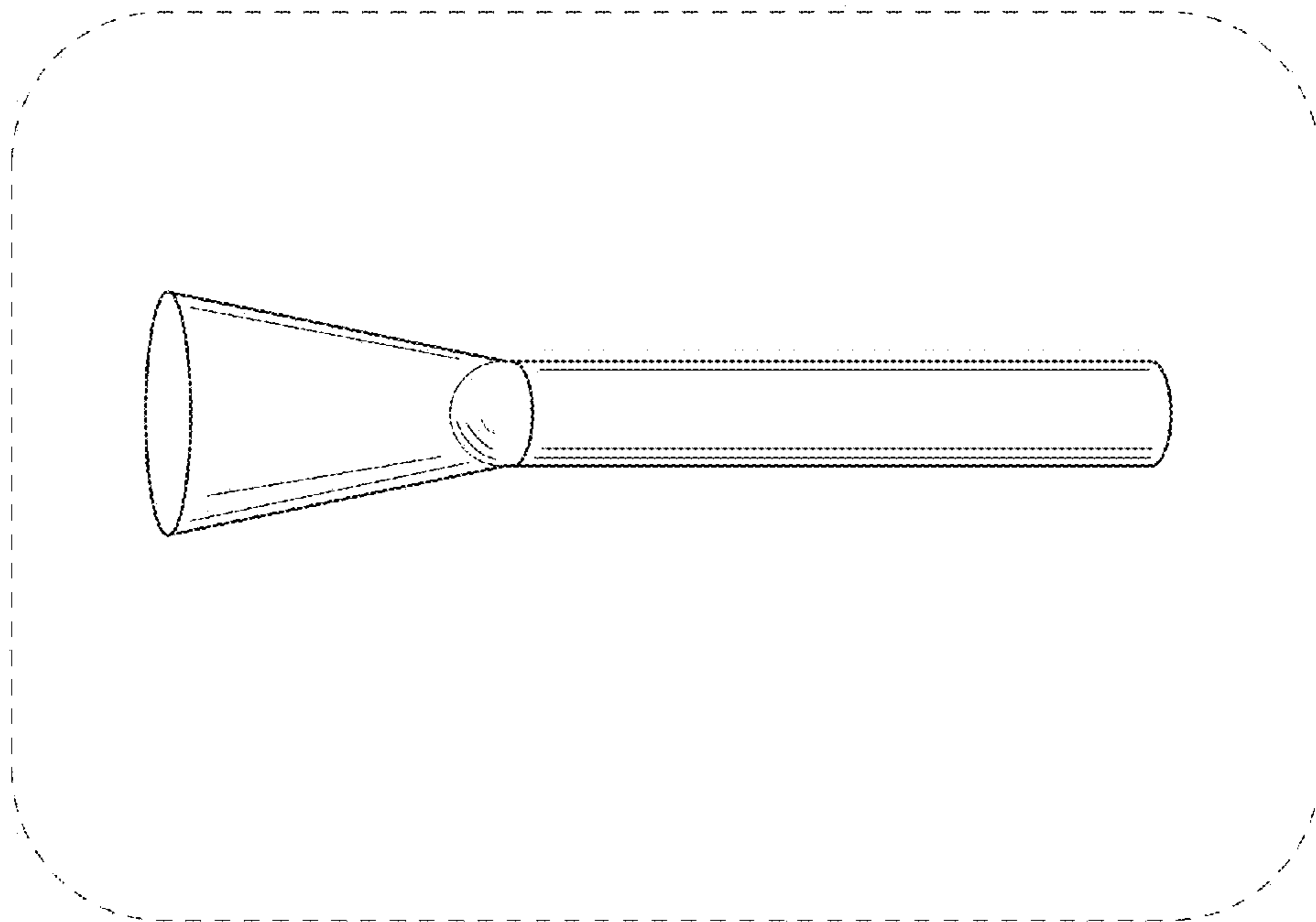


FIG.11

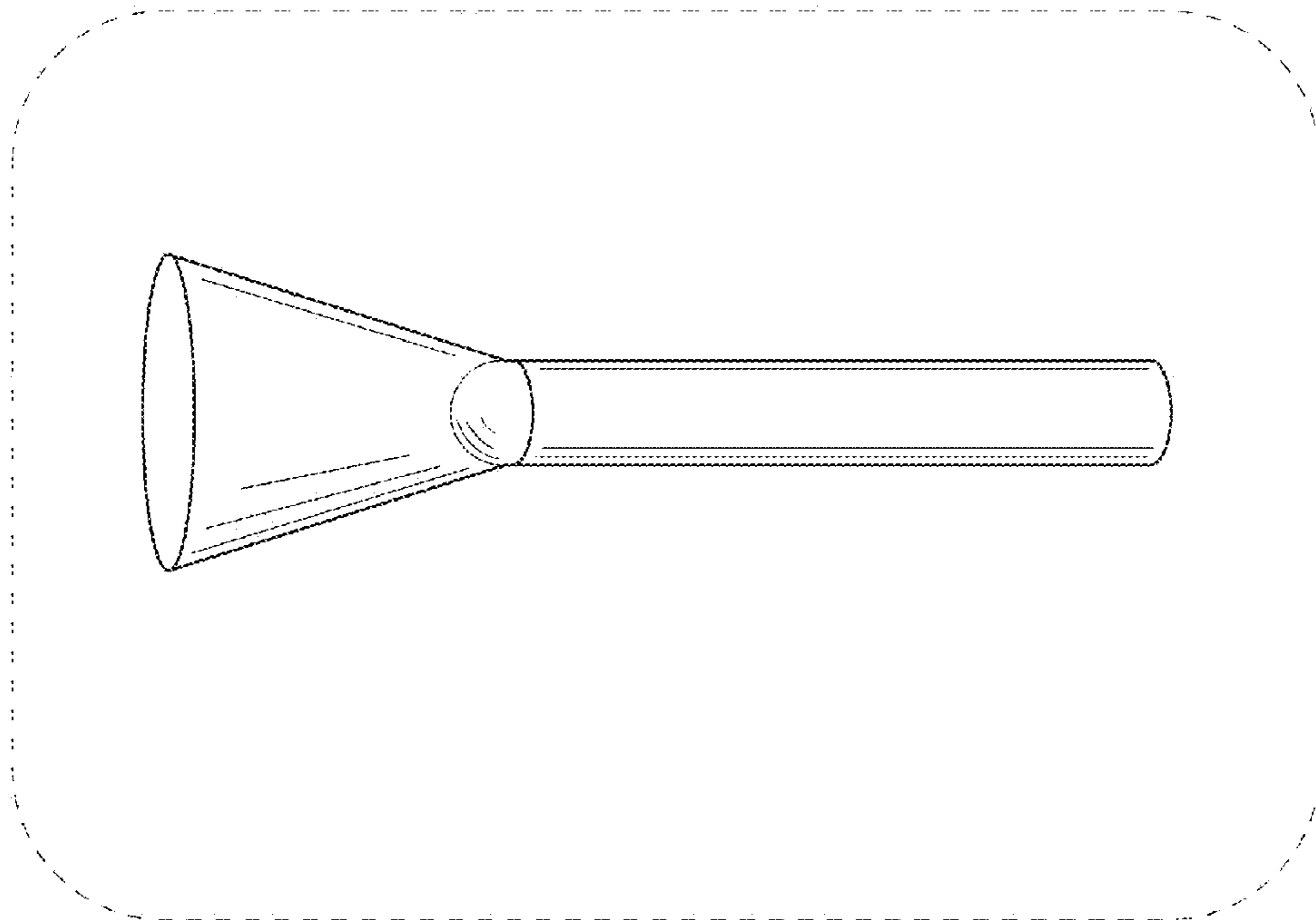


FIG.12

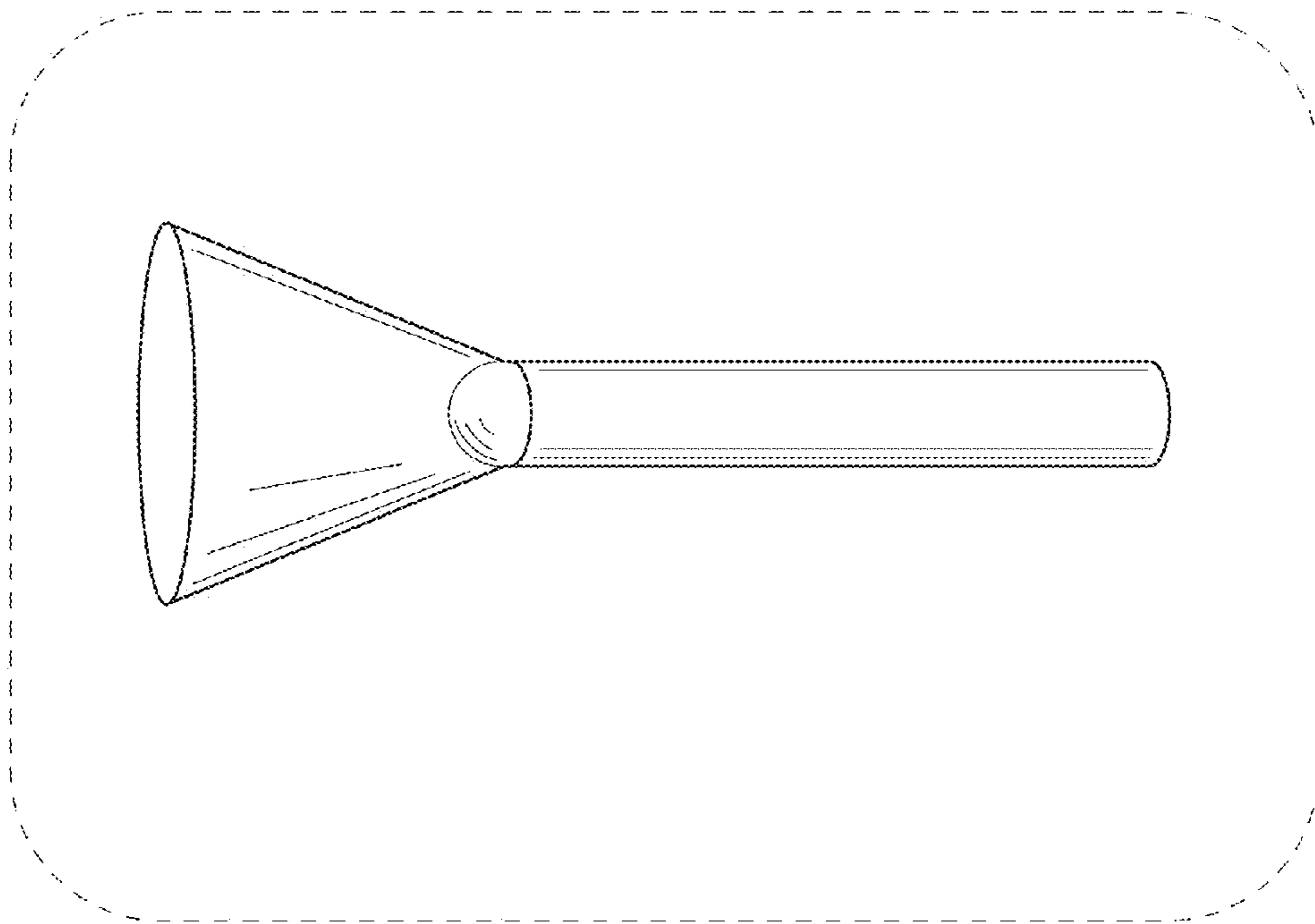


FIG.13

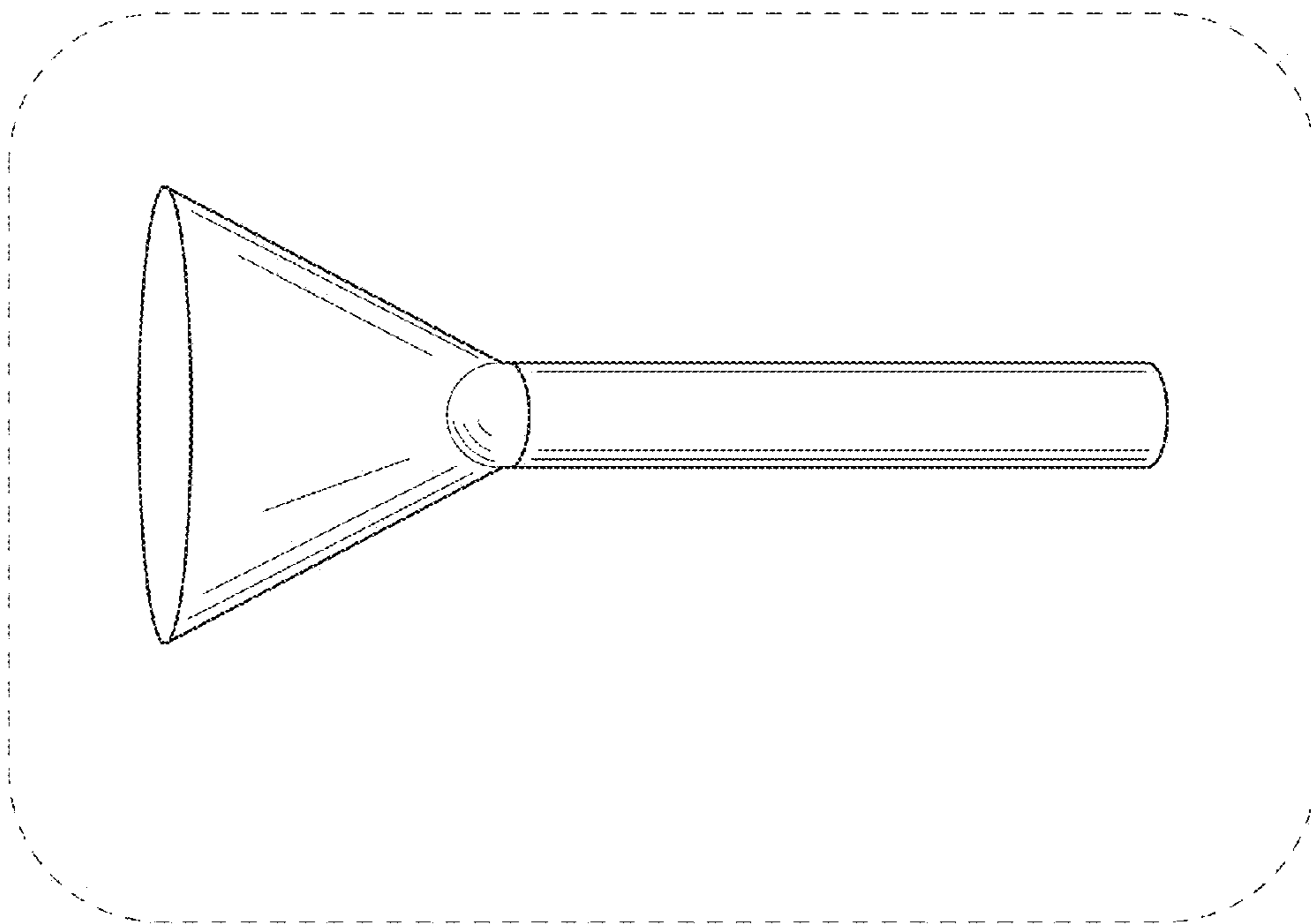


FIG.14

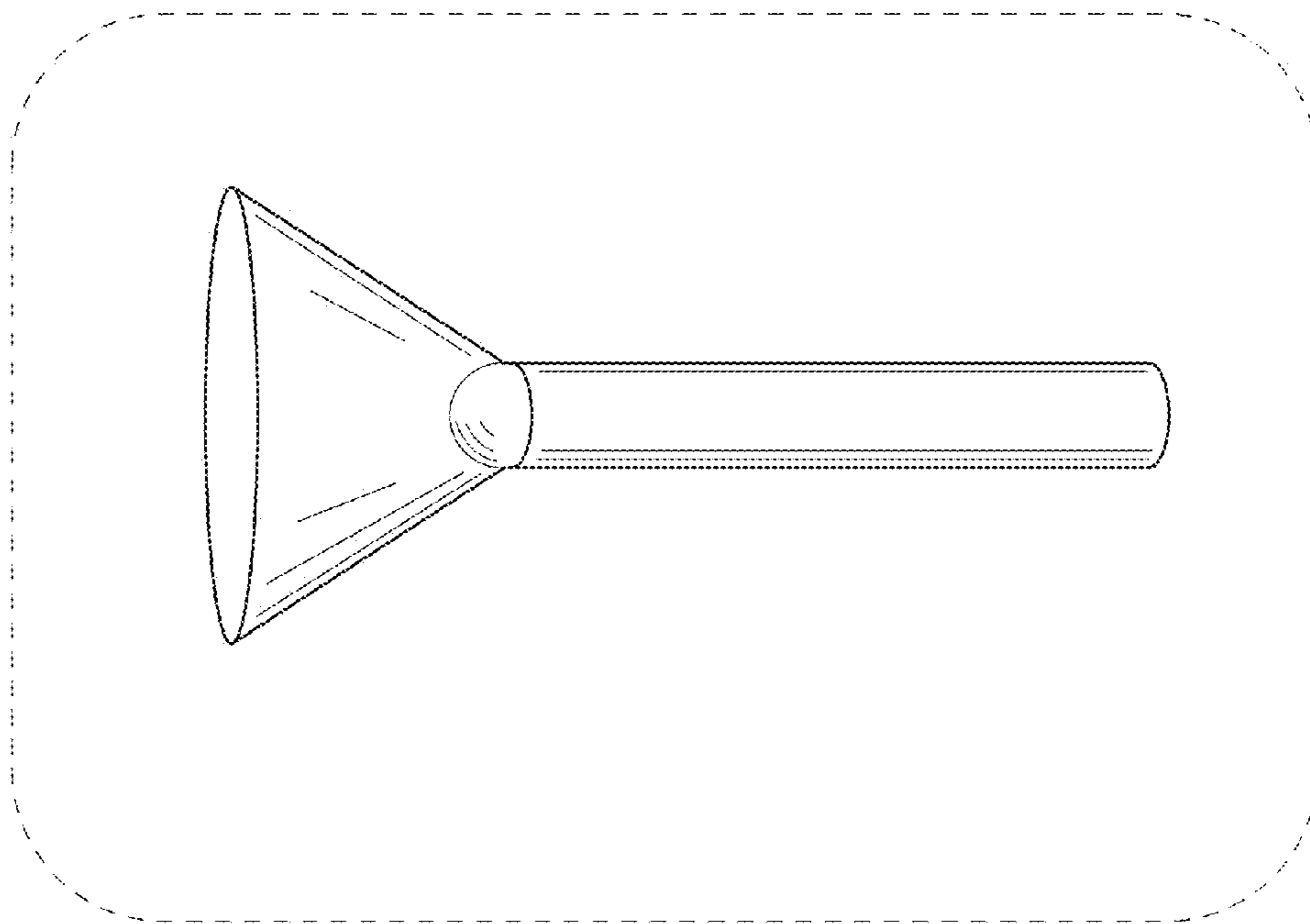


FIG.15

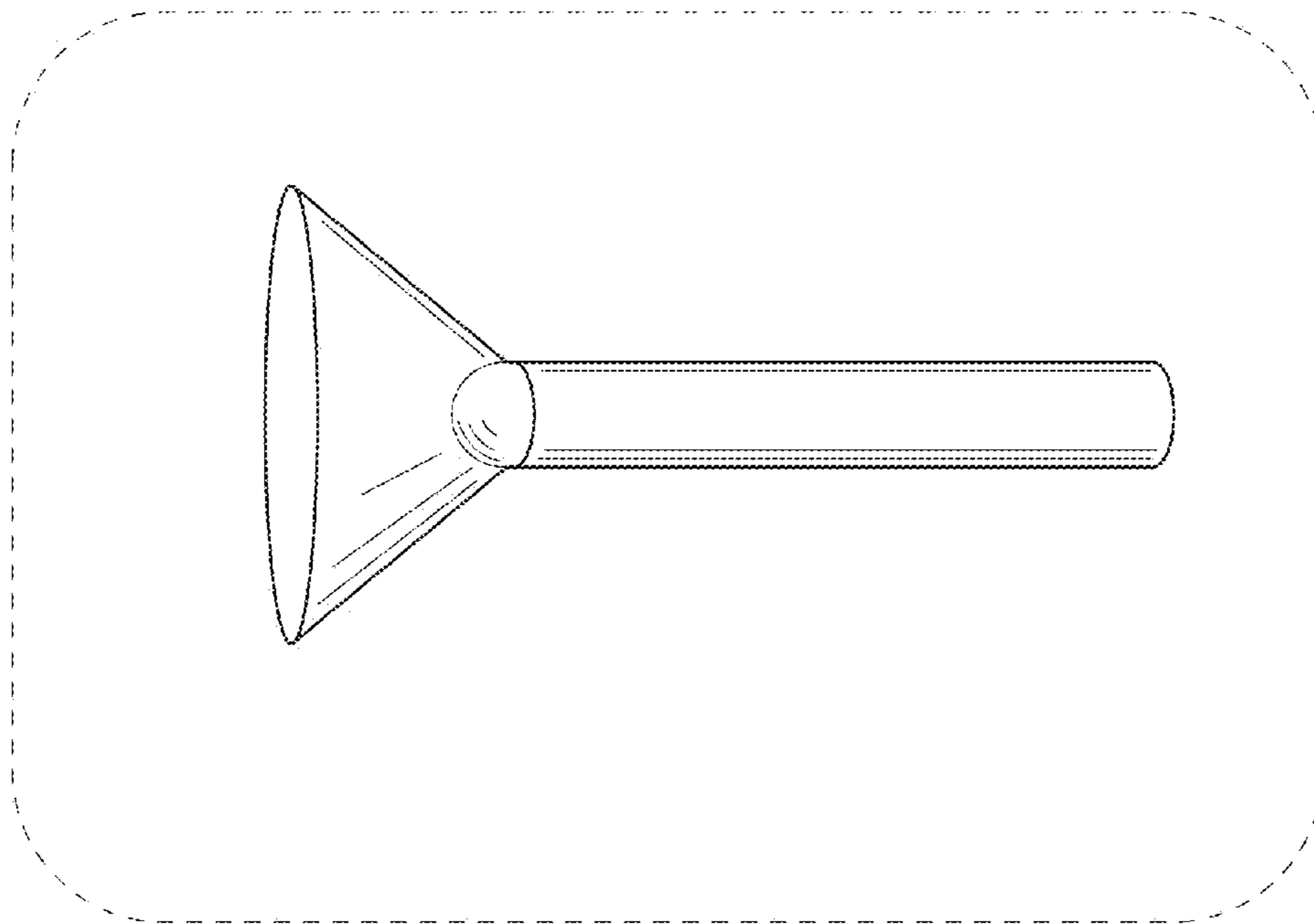


FIG.16

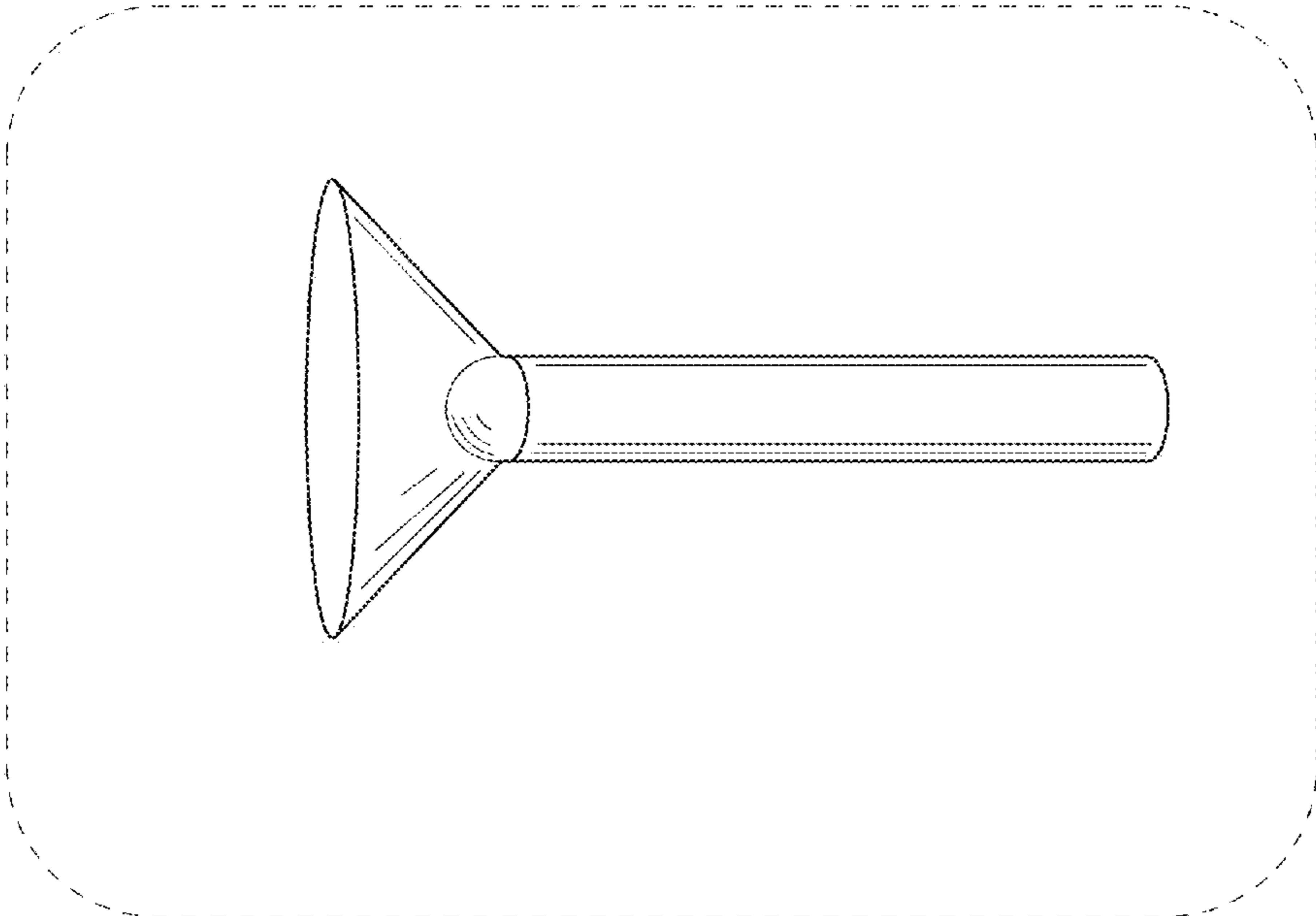


FIG.17

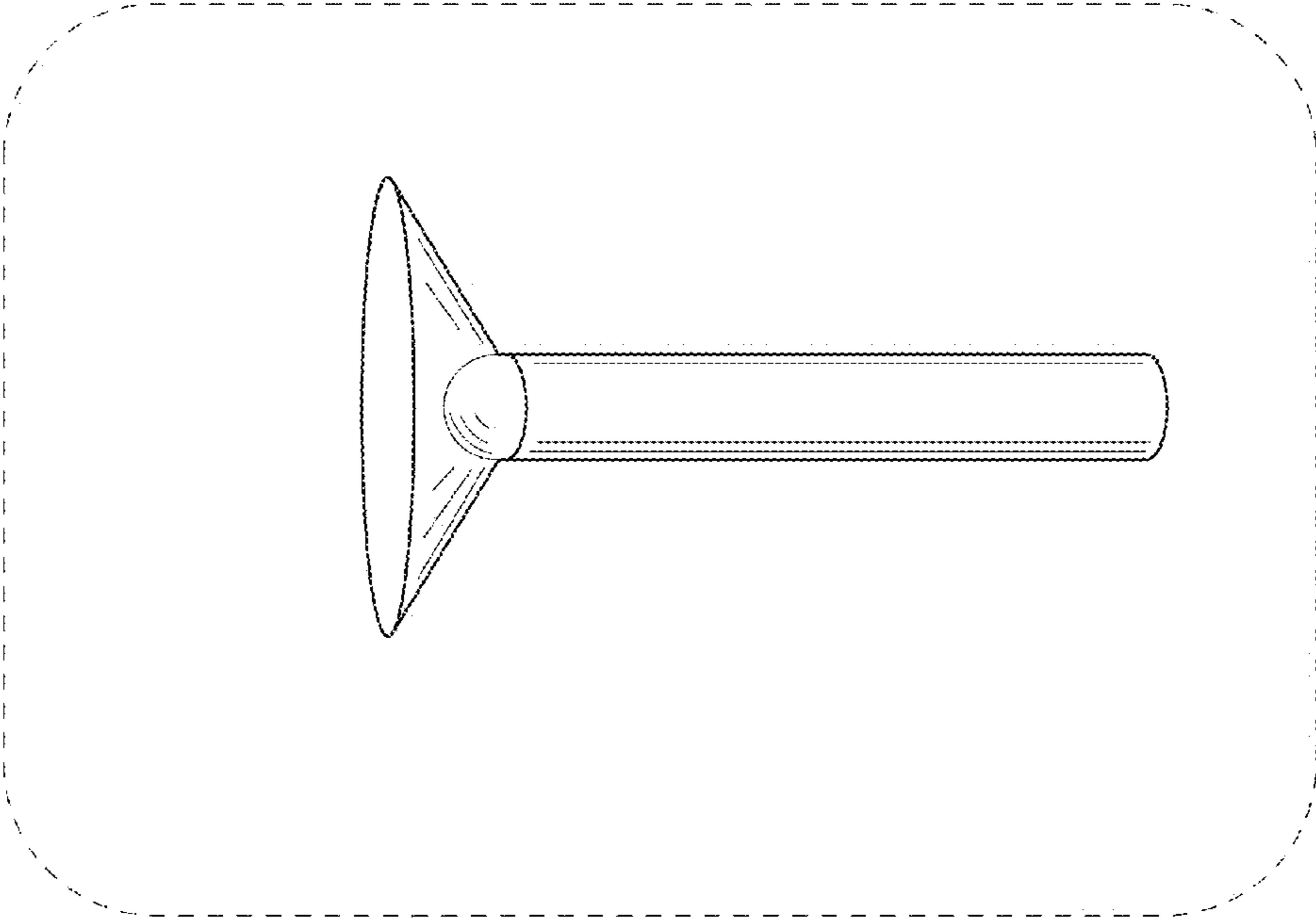


FIG. 18

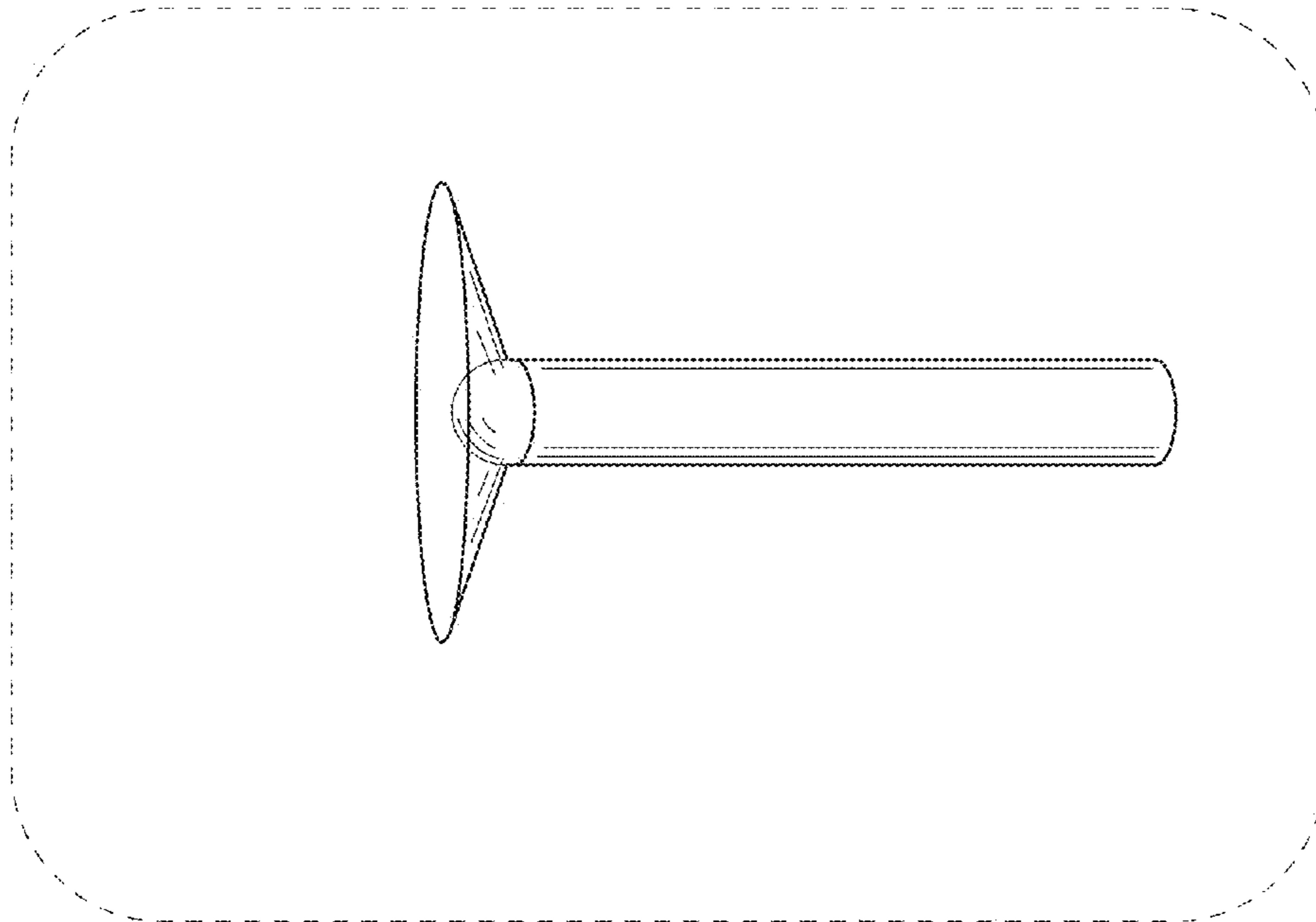


FIG.19

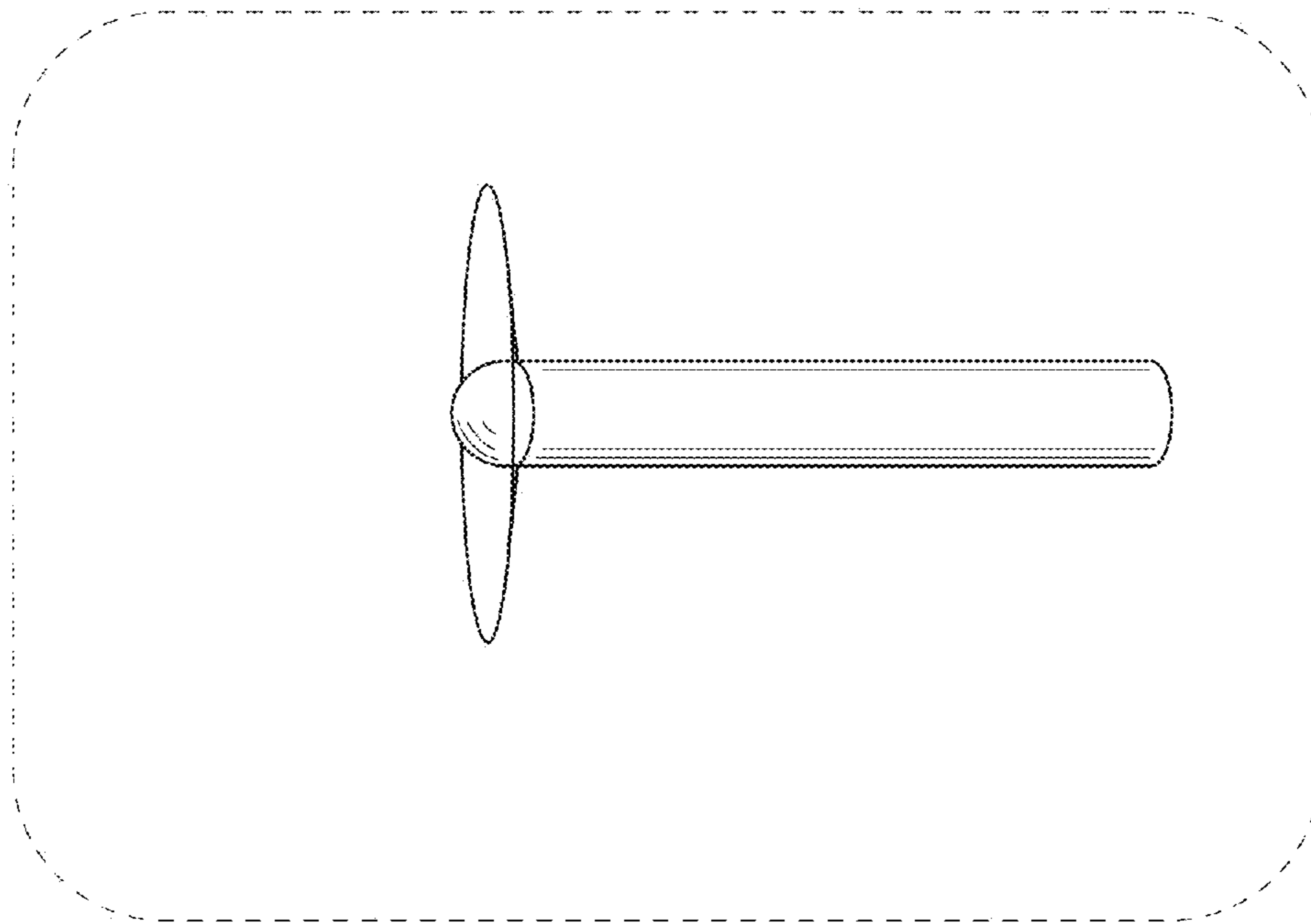


FIG.20

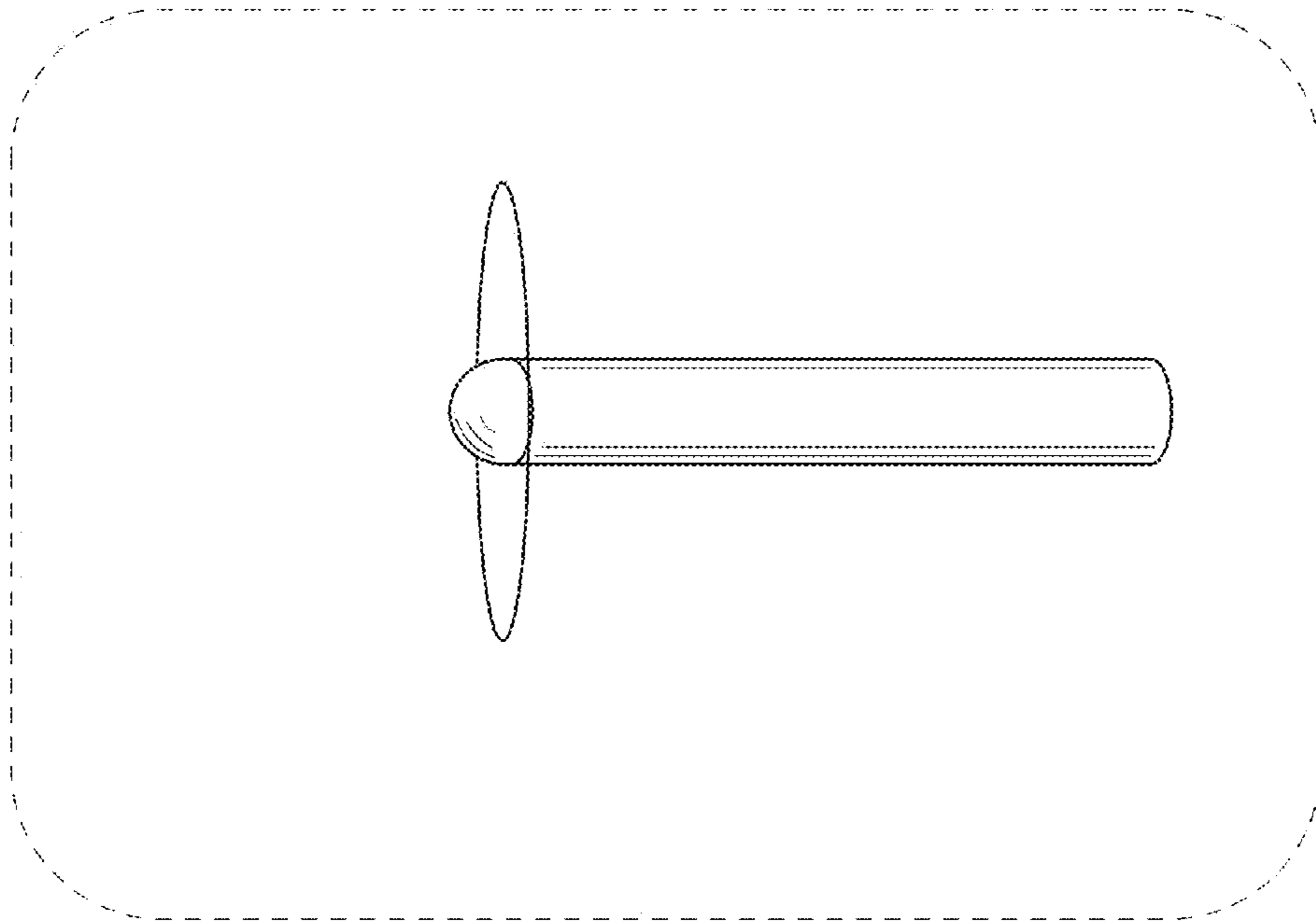


FIG.21

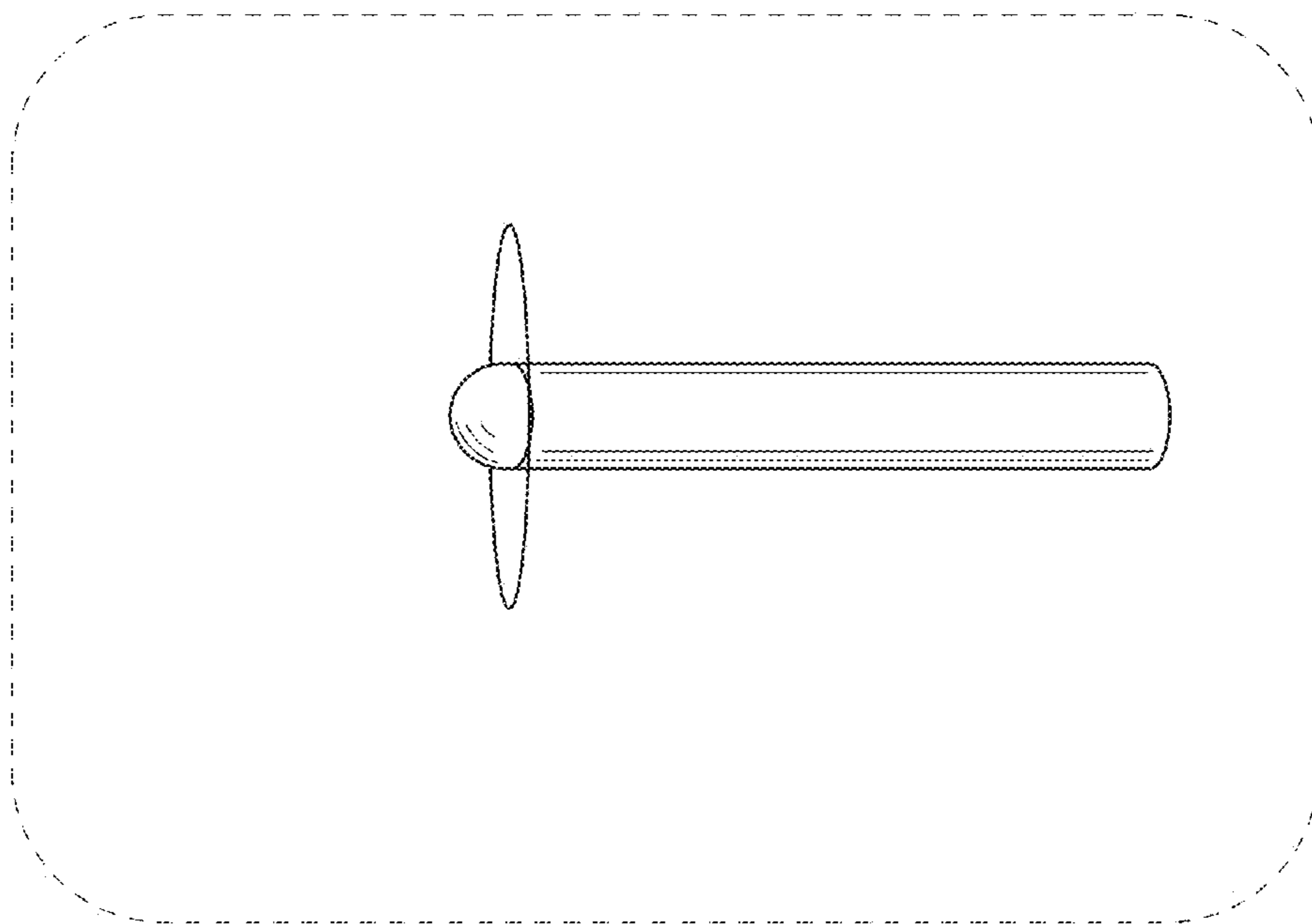


FIG.22

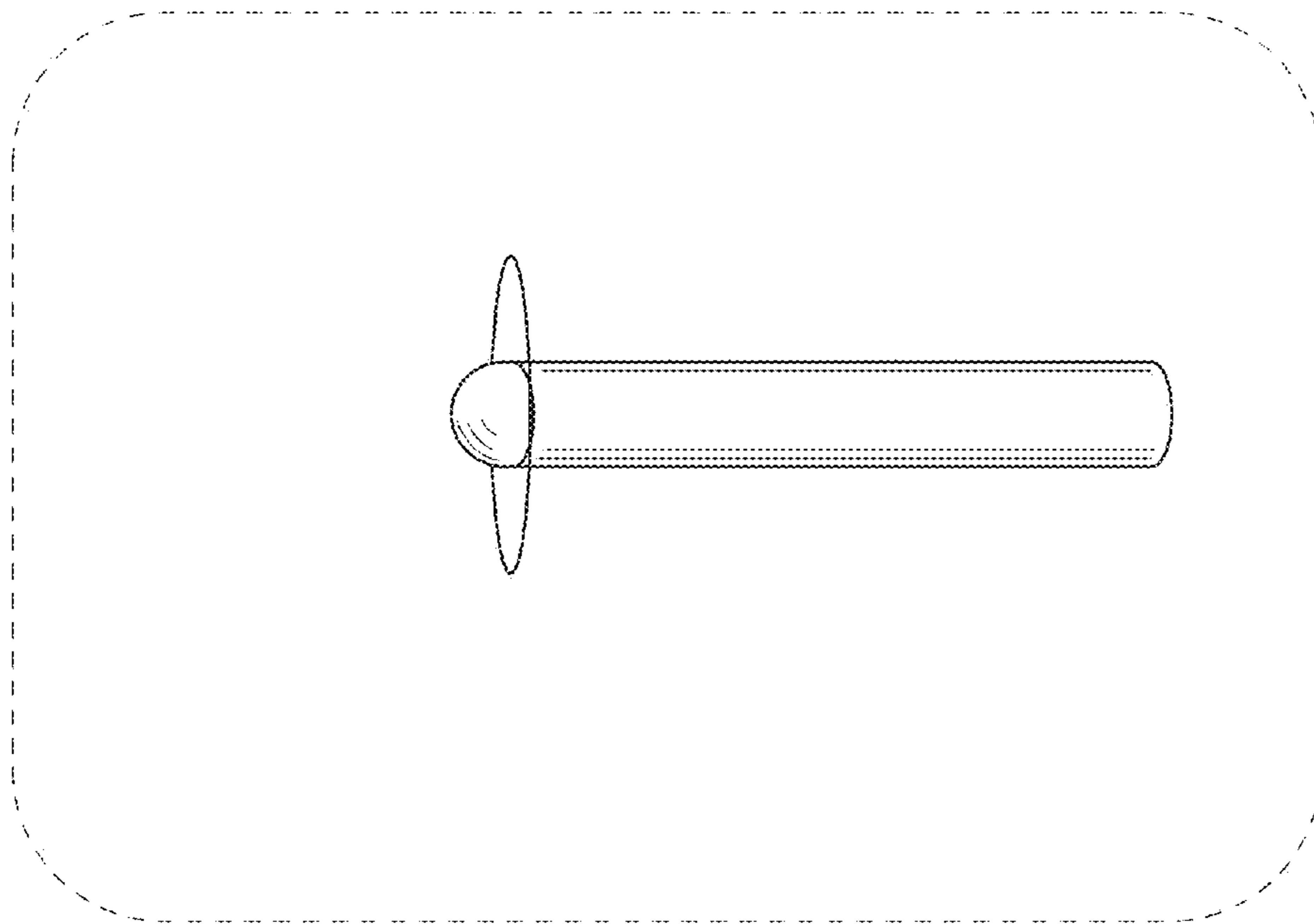


FIG.23

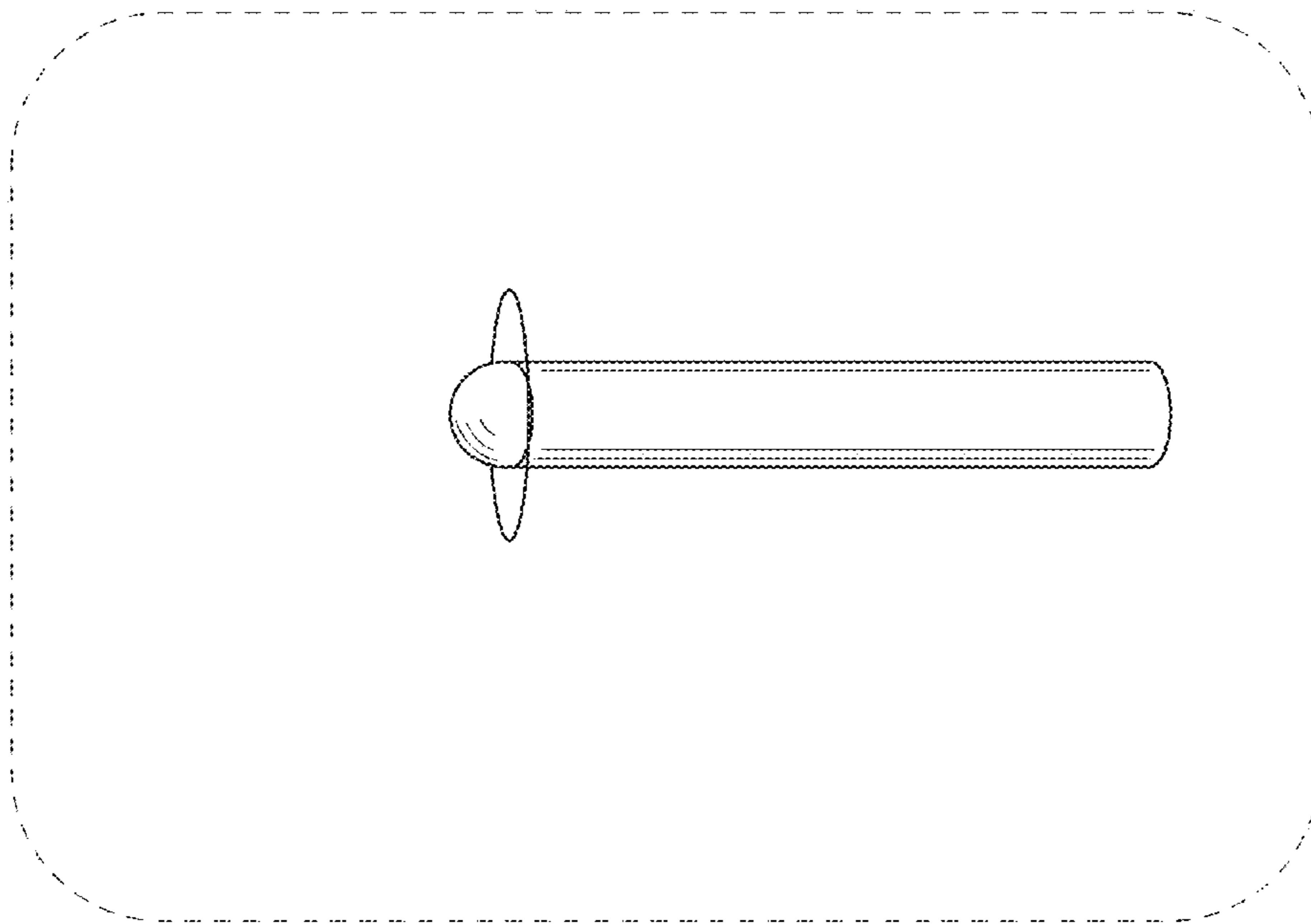


FIG.24

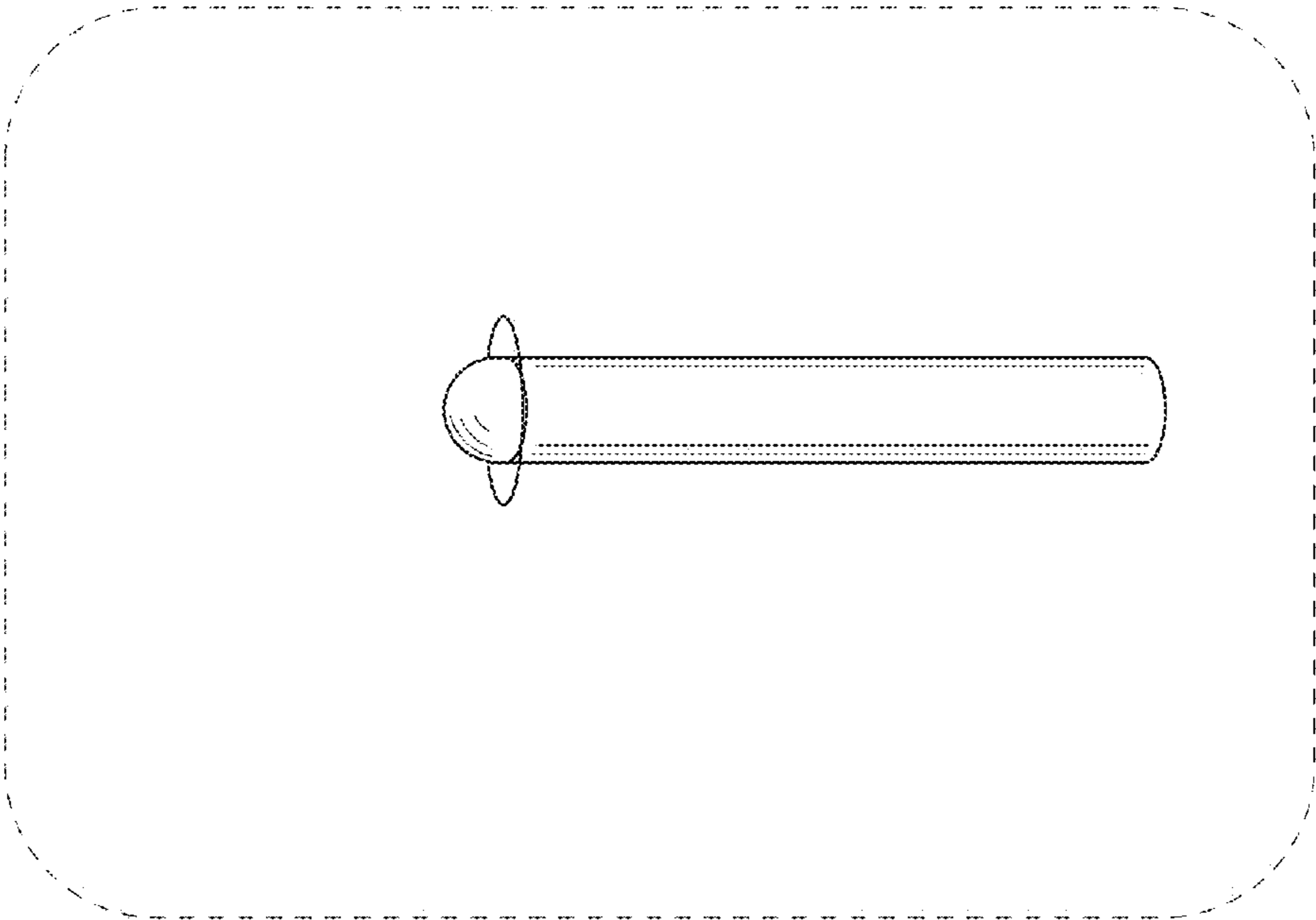


FIG.25

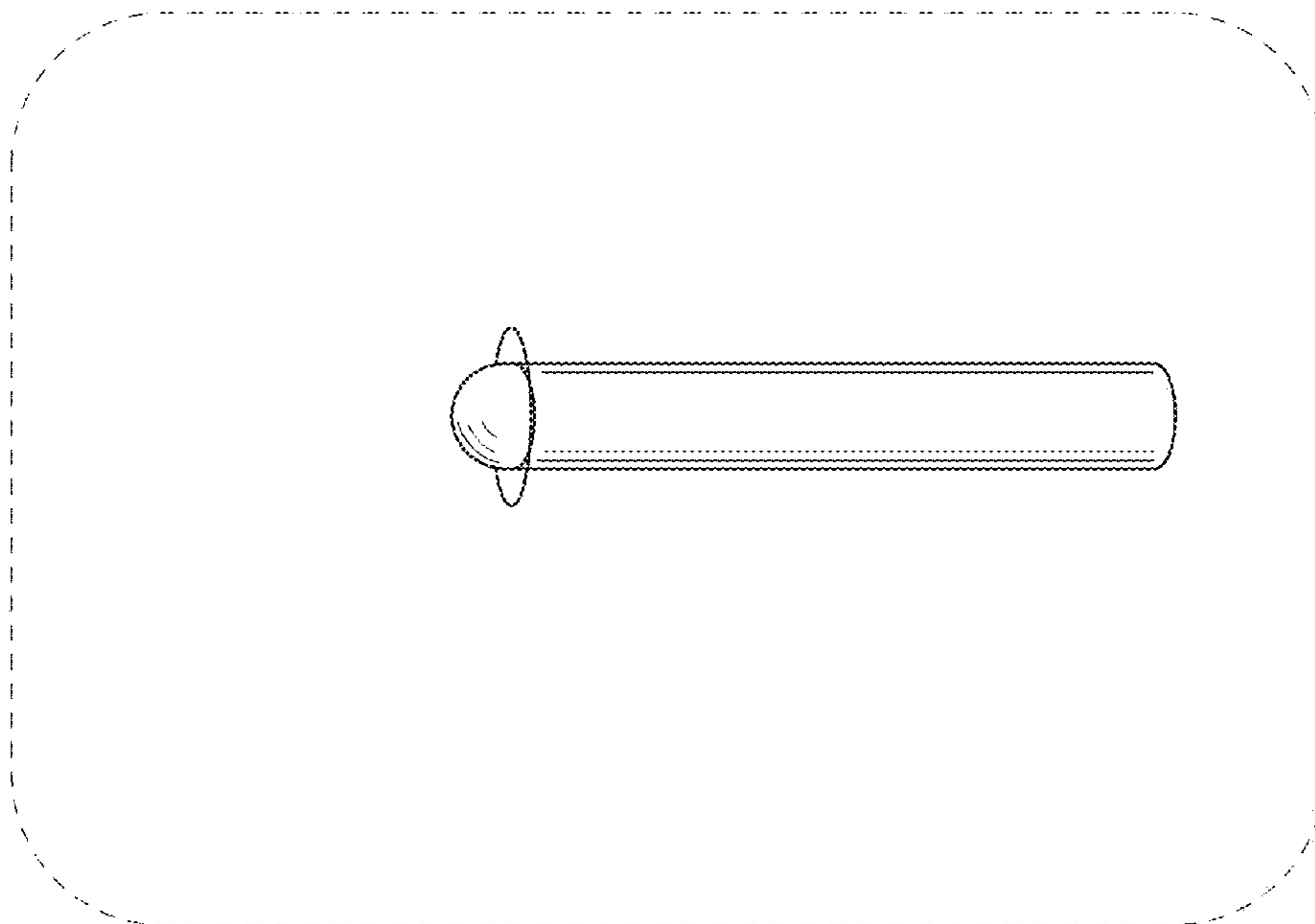


FIG.26

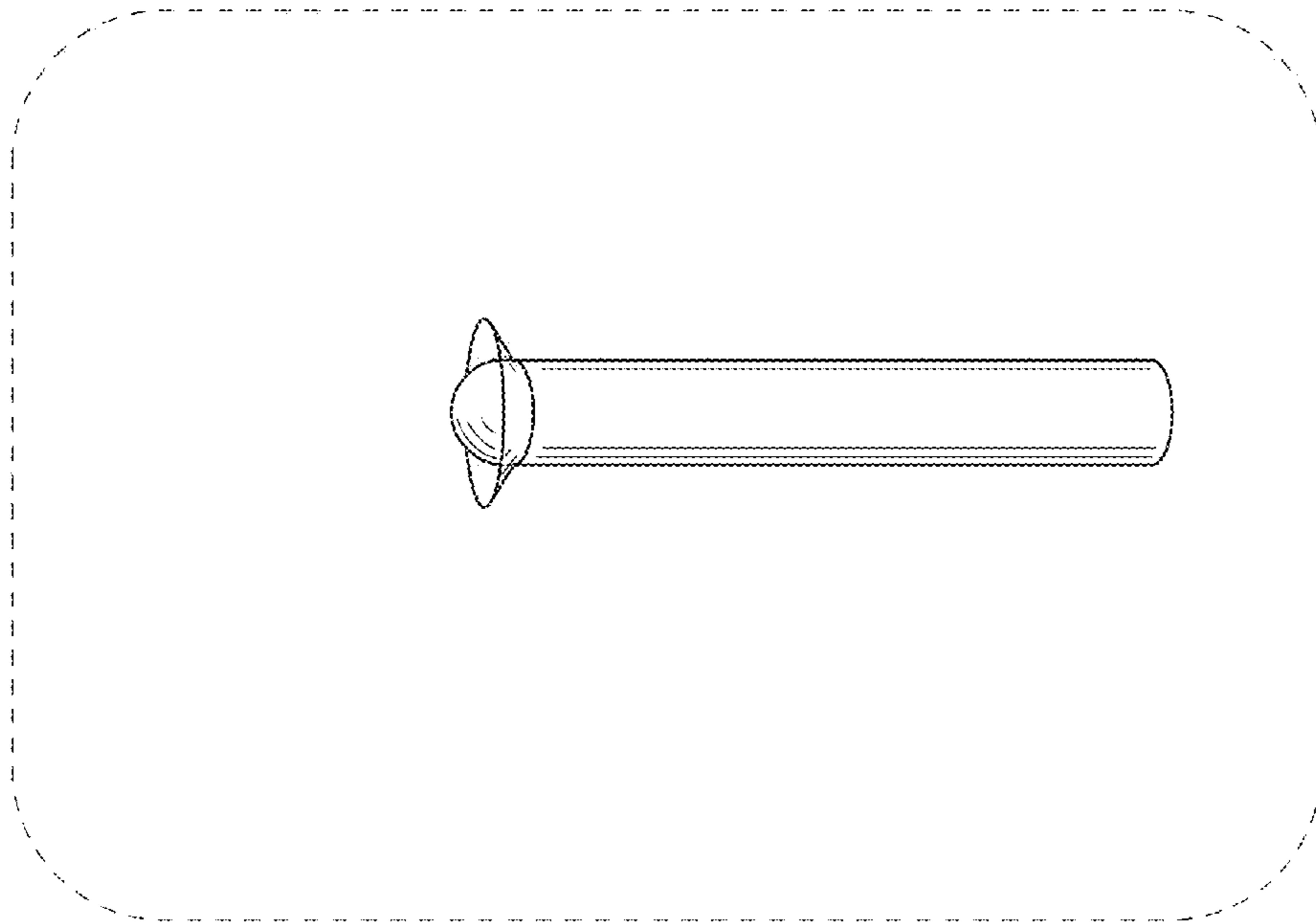


FIG.27

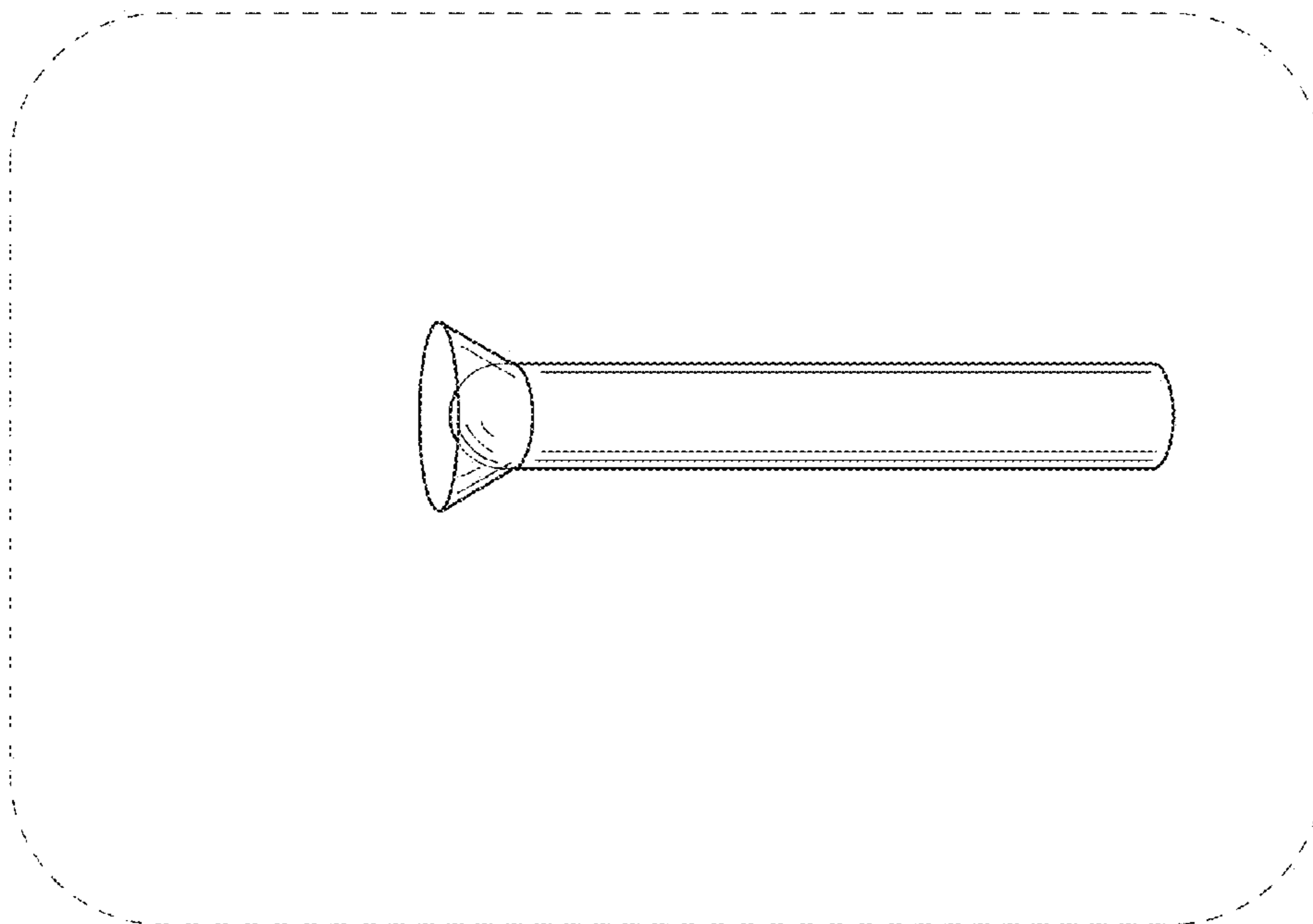


FIG.28

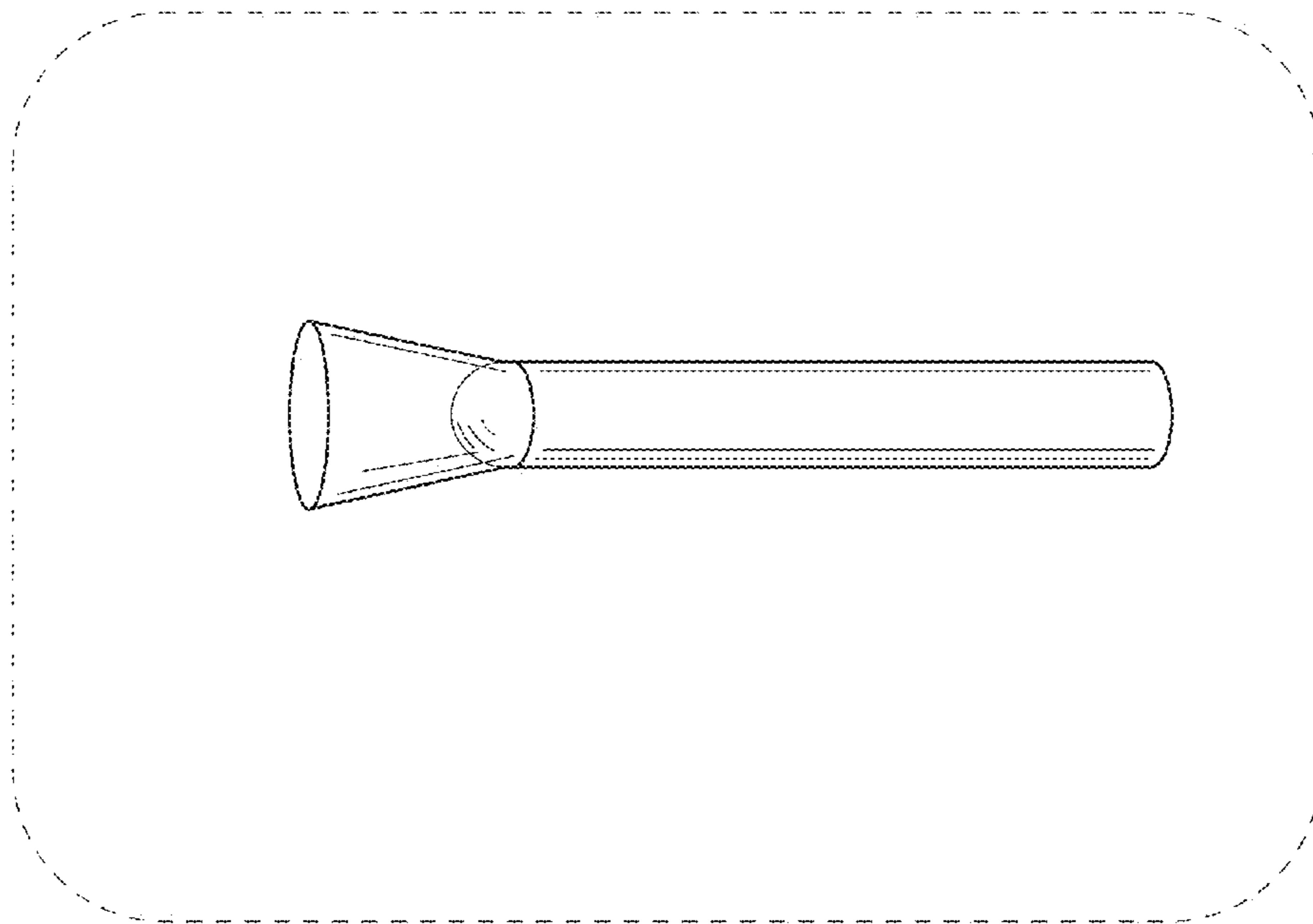


FIG.29

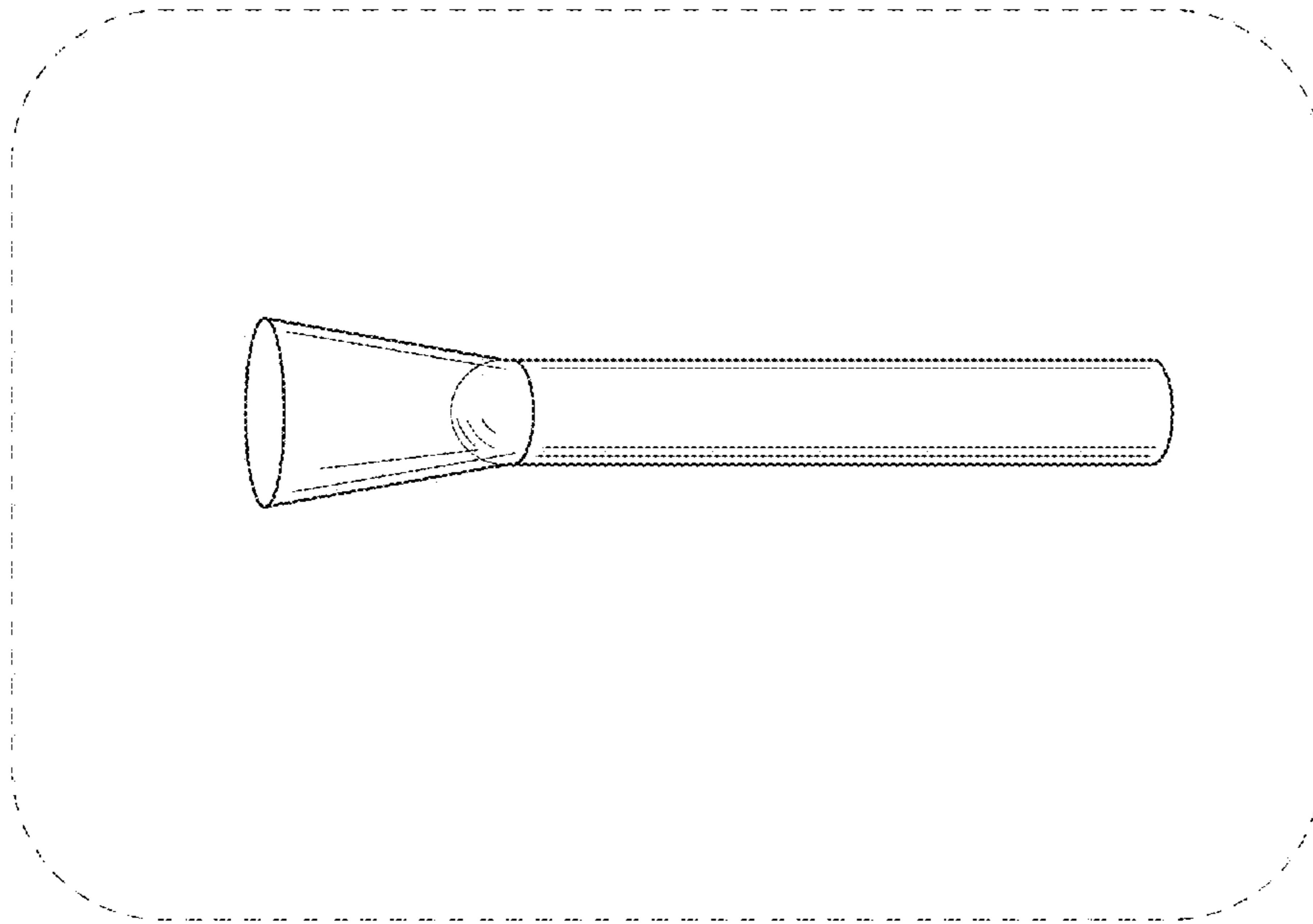


FIG.30

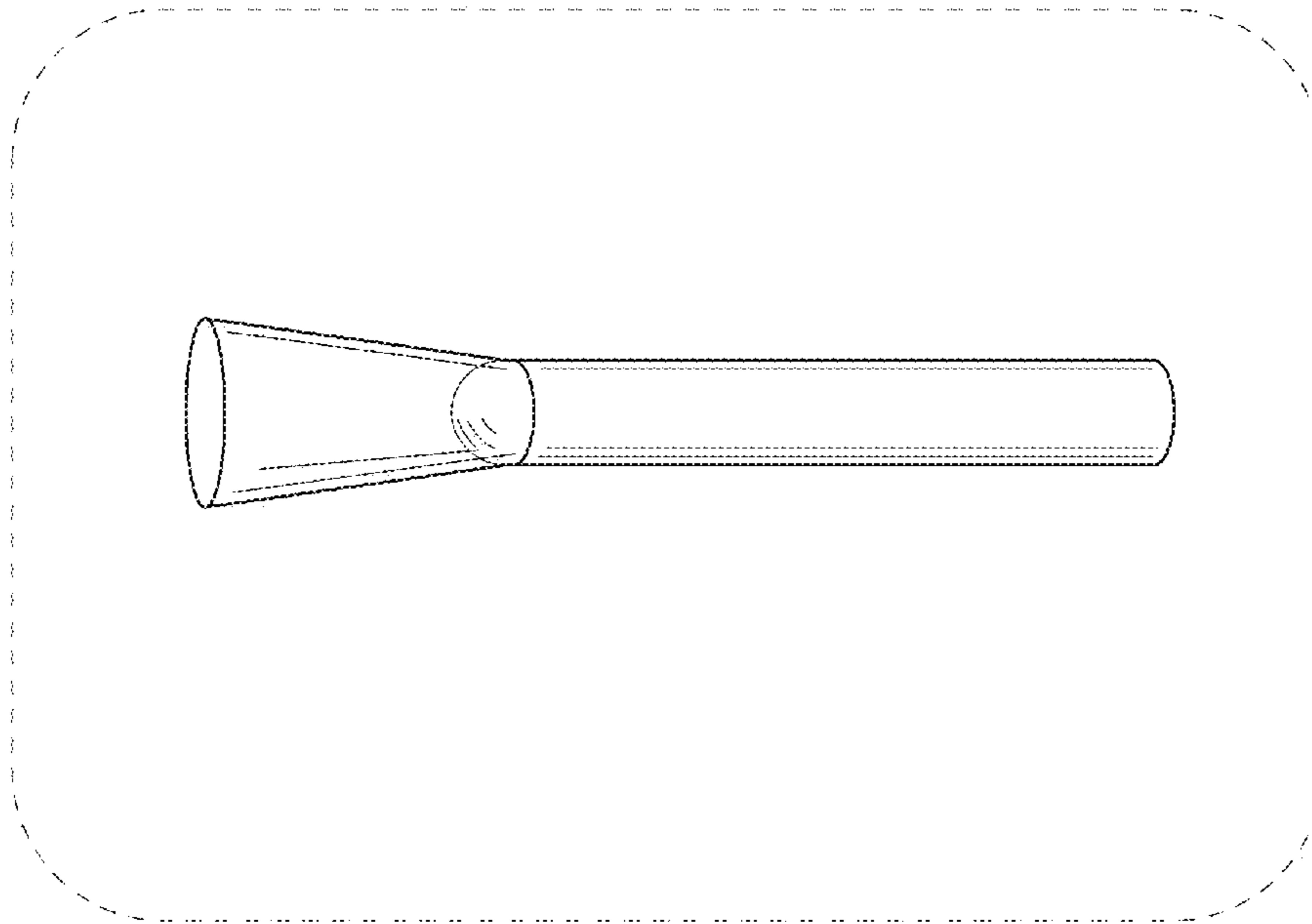


FIG.31

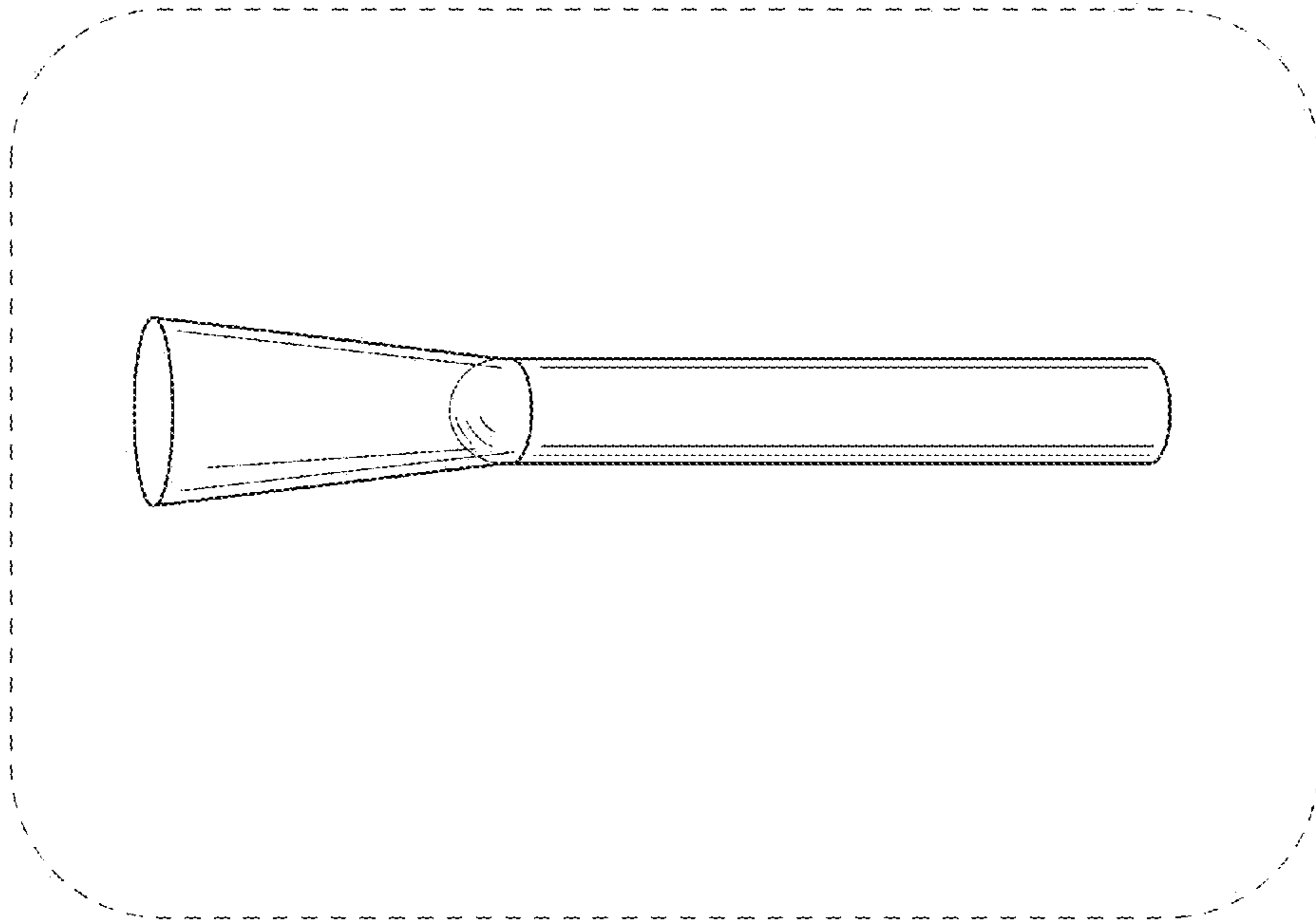


FIG.32