



US00D761312S

(12) **United States Design Patent**
Sikkema et al.

(10) **Patent No.:** **US D761,312 S**
(45) **Date of Patent:** **** Jul. 12, 2016**

(54) **DISPLAY SCREEN OR PORTION THEREOF WITH ICON**

(71) Applicant: **Deere & Company**, Moline, IL (US)

(72) Inventors: **Kelly L. Sikkema**, Brookline, MA (US);
Margaux M. Price, Davenport, IA (US);
Julian Sanchez, Le Claire, IA (US);
Ryan M. Gilsdorf, Parkville, MO (US);
Troy K. Maddox, Ames, IA (US);
Aaron J. Bruns, Bettendorf, IA (US);
Jeffery J. Adams, Davenport, IA (US)

(73) Assignee: **Deere & Company**, Moline, IL (US)

(**) Term: **14 Years**

(21) Appl. No.: **29/469,888**

(22) Filed: **Oct. 15, 2013**

(51) **LOC (10) Cl.** **14-04**

(52) **U.S. Cl.**
USPC **D14/492**

(58) **Field of Classification Search**
USPC D14/485–495
CPC G06F 3/048; G06F 3/04817; G06F 3/0482
See application file for complete search history.

(56) **References Cited**

U.S. PATENT DOCUMENTS

5,642,929	A *	7/1997	Ushimaru	B60Q 3/02
					200/312
5,712,782	A *	1/1998	Weigelt	A01B 79/005
					701/24
5,889,671	A *	3/1999	Autermann	A01B 79/005
					361/724
5,978,720	A *	11/1999	Hieronimus	A01D 41/127
					340/438
6,480,783	B1 *	11/2002	Myr	G01C 21/3492
					340/990
7,133,757	B2 *	11/2006	Miedema	A01B 79/005
					172/5
7,337,023	B2 *	2/2008	Diekhans	A01D 41/127
					700/52

7,365,782	B2 *	4/2008	Tanaka	H04N 5/23293
					348/231.8
D571,974	S *	6/2008	Shibata	D34/35
D589,054	S *	3/2009	Koursoumidis	D14/492
D590,409	S *	4/2009	Shibata	D14/486
7,600,189	B2 *	10/2009	Fujisawa	G09G 3/20
					341/137
D606,555	S *	12/2009	Kocmick	D14/492
D642,194	S *	7/2011	Kozlowski	D14/488
D642,589	S *	8/2011	Kozlowski	D14/487
D645,051	S *	9/2011	Kozlowski	D14/487
D652,425	S *	1/2012	Kozlowski	D14/487
D673,165	S *	12/2012	Ospina Gonzalez	D14/486
D685,386	S *	7/2013	Makhlouf	D14/486
D689,096	S *	9/2013	Nagaoka	D14/489
D692,918	S *	11/2013	Ridl	D14/492
D697,935	S *	1/2014	Lee	D14/486
D700,619	S *	3/2014	Ito	D14/492
D701,874	S *	4/2014	Rao	D14/487
D709,082	S *	7/2014	Meegan	D14/486
D709,083	S *	7/2014	Meegan	D14/486

(Continued)

Primary Examiner — Kevin Rudzinski

(74) *Attorney, Agent, or Firm* — Ingrassia, Fisher & Lorenz PC

(57) **CLAIM**

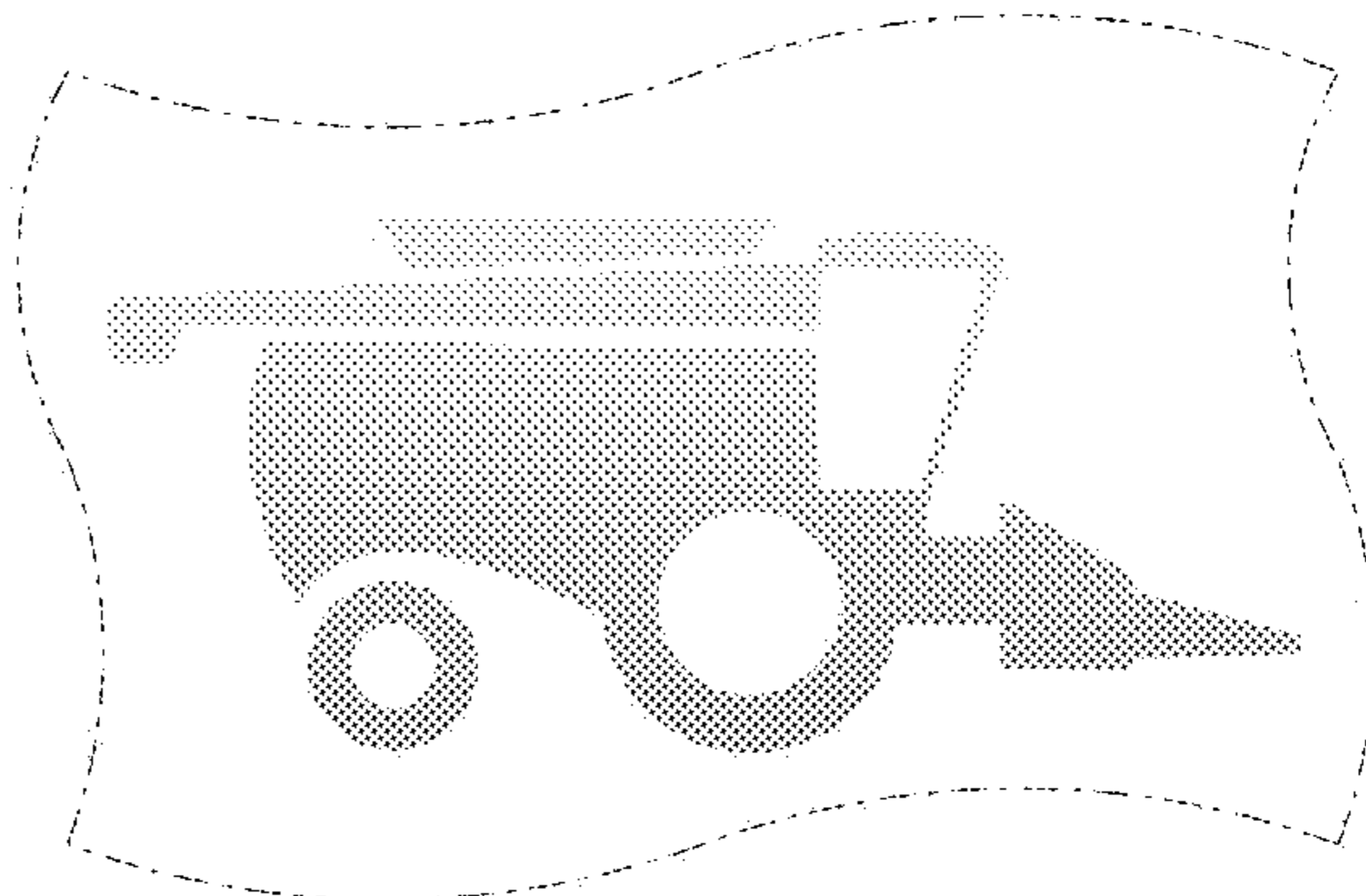
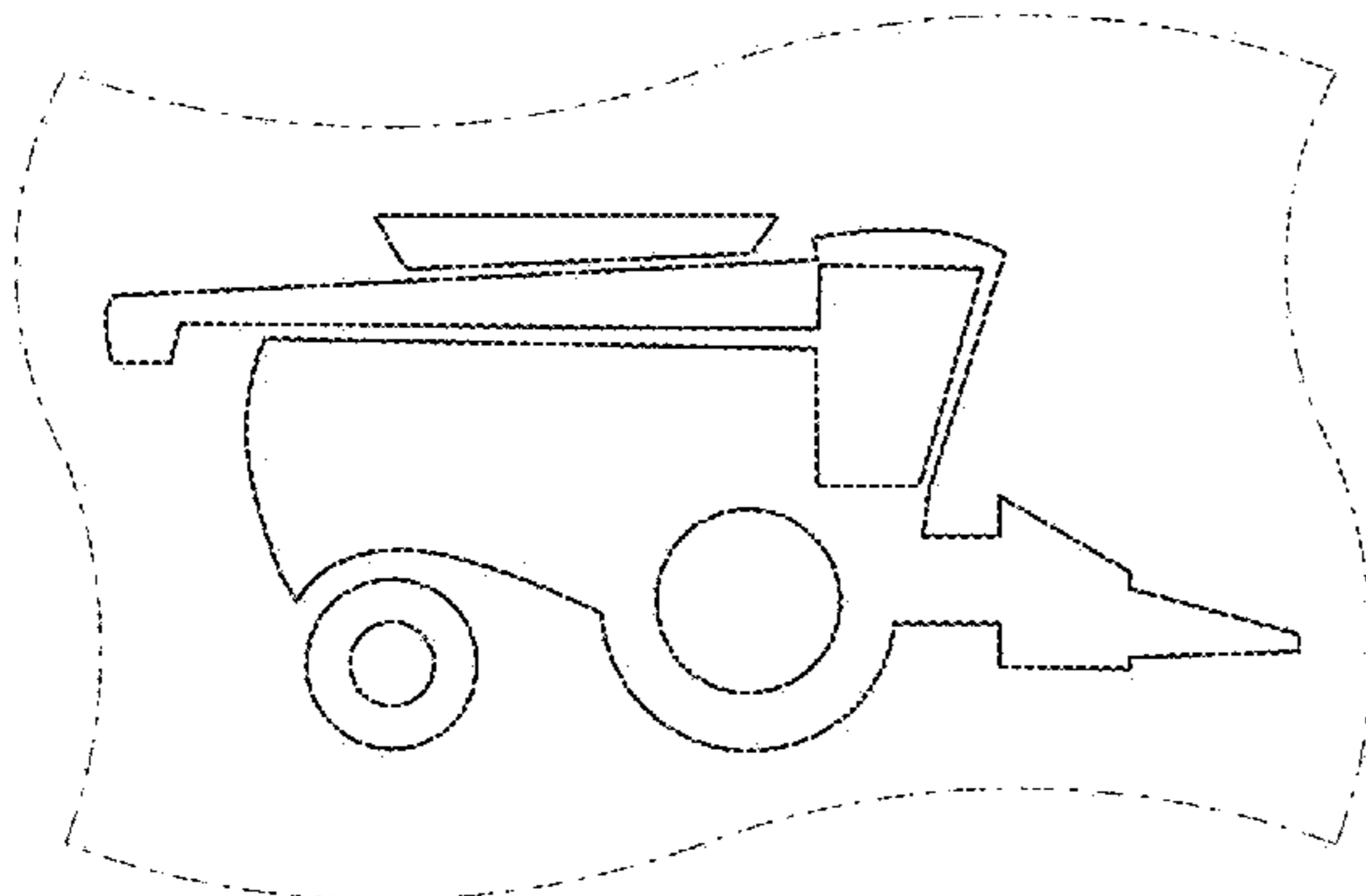
The ornamental design for a display screen or portion thereof with icon, as shown and described.

DESCRIPTION

The patent file contains at least one drawing executed in color. Copies of the patent file with color drawing(s) will be provided by the Patent Office upon request and payment of the necessary fee. Color forms no part of the embodiments of the design shown in FIG. 1.

FIG. 1 is a front view of a display screen or portion thereof with icon showing our new design; and, FIG. 2 is a front view of display screen or portion thereof with icon according to a second embodiment of our new design. The dot-dash line representations of the display screen or portion thereof with icon in the figures form no part of the claimed design.

1 Claim, 1 Drawing Sheet
(1 of 1 Drawing Sheet(s) Filed in Color)



(56)

References Cited

U.S. PATENT DOCUMENTS

D709,518 S *	7/2014	Meegan	D14/486	D729,820 S *	5/2015	Yamasaki	D14/485
D709,519 S *	7/2014	Meegan	D14/486	D730,401 S *	5/2015	Bray	D14/492
D710,373 S *	8/2014	Meegan	D14/486	D730,935 S *	6/2015	Franganillo	D14/492
D710,374 S *	8/2014	Meegan	D14/486	D732,051 S *	6/2015	Jeong	D14/485
D712,421 S *	9/2014	Inose	D14/486	D733,722 S *	7/2015	Ueda	D14/485
D712,928 S *	9/2014	Brener	D14/492	D734,343 S *	7/2015	Yamasaki	D14/485
D721,730 S *	1/2015	Thompson	D14/489	2008/0059411 A1 *	3/2008	Greiner	G06Q 10/06
					2008/0084332 A1 *	4/2008	Ritter	G06Q 10/06 340/989

* cited by examiner

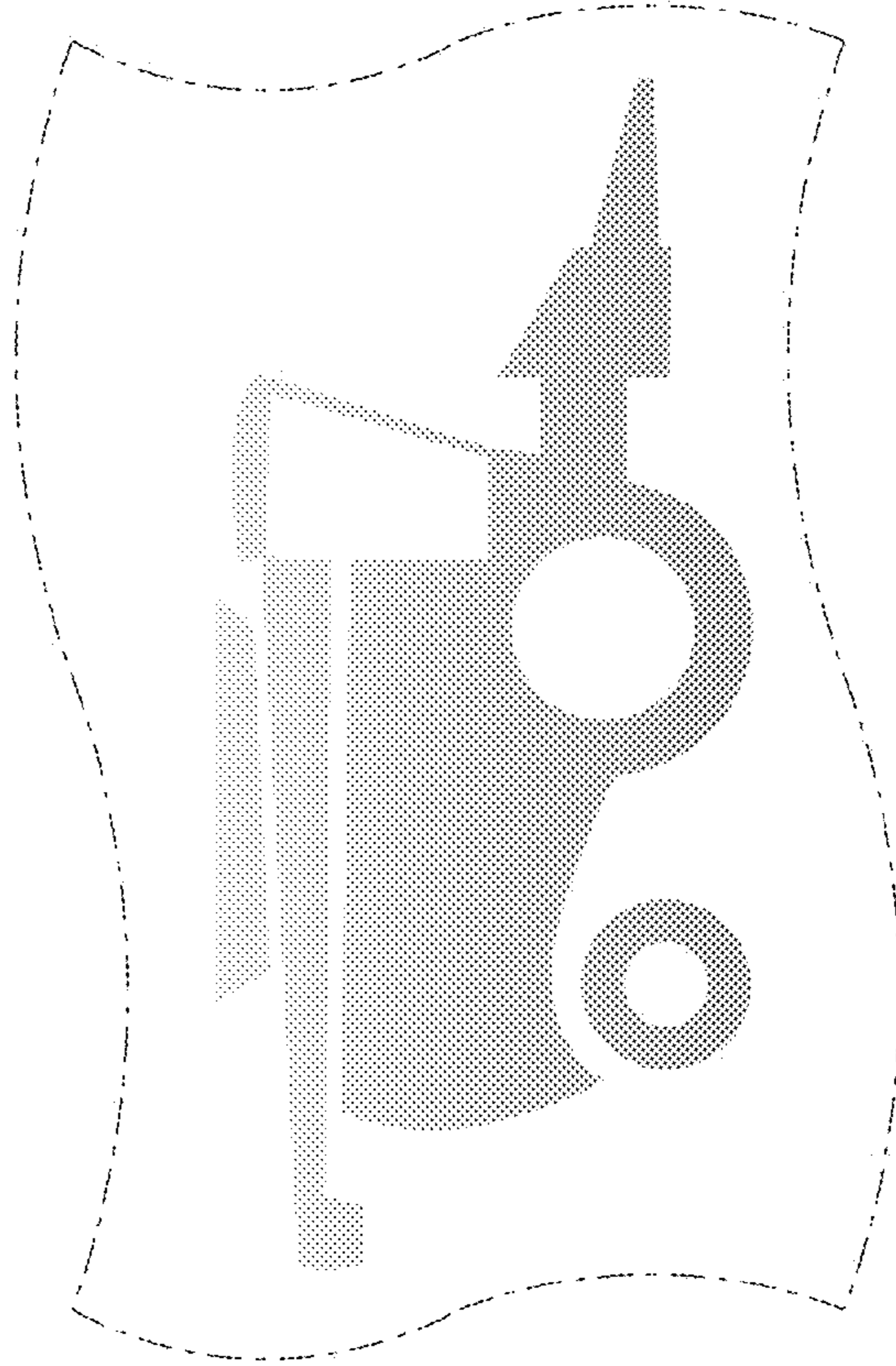


FIG. 1

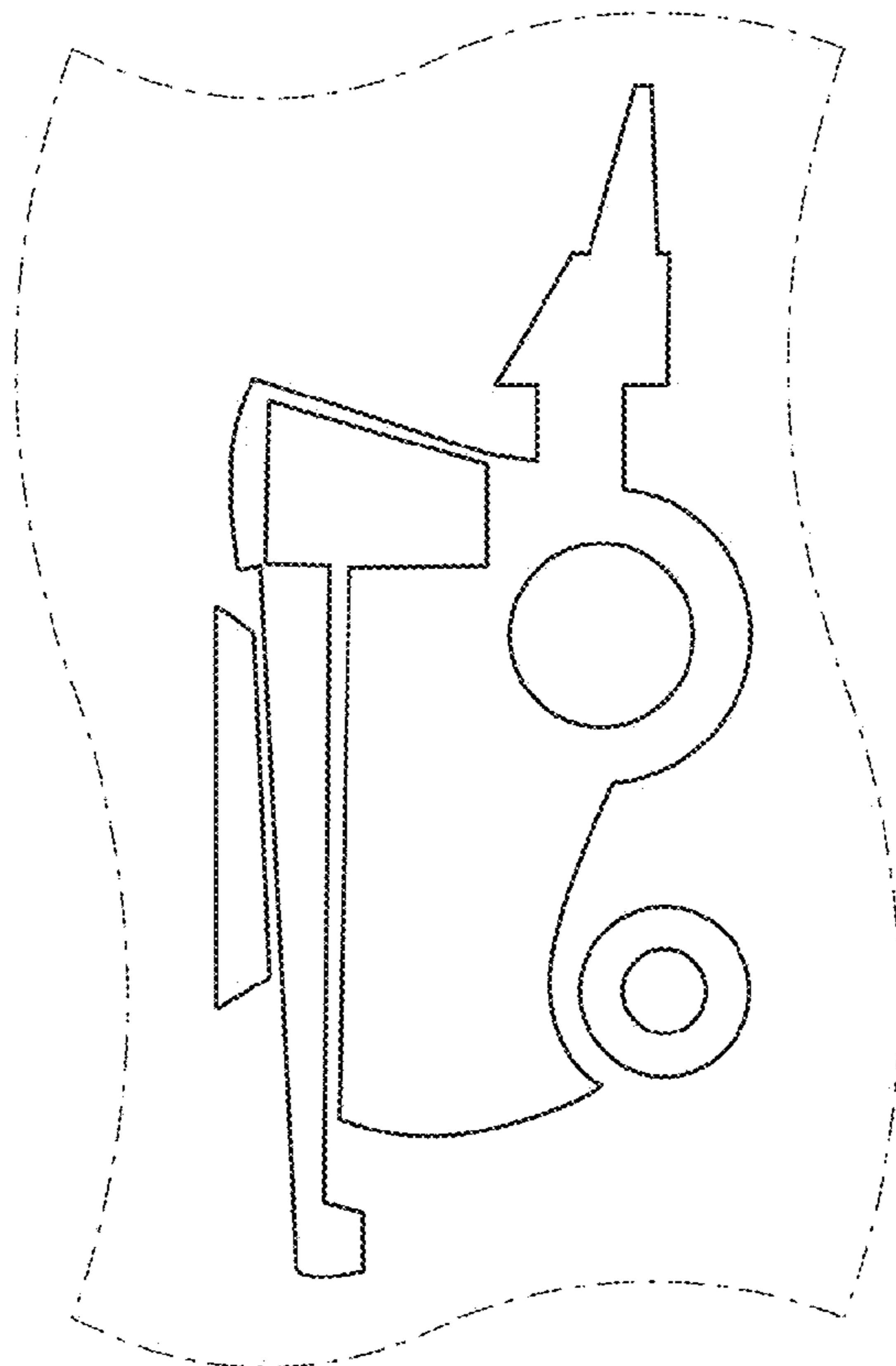


FIG. 2