



US00D761302S

(12) **United States Design Patent**  
**Rodriguez**

(10) **Patent No.:** **US D761,302 S**  
(45) **Date of Patent:** **\*\* Jul. 12, 2016**

(54) **DISPLAY SCREEN WITH ANIMATED GRAPHICAL USER INTERFACE**

(71) Applicant: **Microsoft Corporation**, Redmond, WA (US)

(72) Inventor: **Jose Alberto Rodriguez**, Seattle, WA (US)

(73) Assignee: **Microsoft Corporation**, Redmond, WA (US)

(\*\*) Term: **14 Years**

(21) Appl. No.: **29/515,126**

(22) Filed: **Jan. 20, 2015**

(51) **LOC (10) Cl.** ..... **14-04**

(52) **U.S. Cl.**  
USPC ..... **D14/488**

(58) **Field of Classification Search**  
USPC ..... D14/485–495  
CPC .. G06F 3/0482; G06F 3/0481; G06F 3/04883  
See application file for complete search history.

(56) **References Cited**

U.S. PATENT DOCUMENTS

D576,635 S *	9/2008	Nathan	.....	D14/488
D613,300 S *	4/2010	Chaudhri	.....	D14/488
D624,932 S *	10/2010	Chaudhri	.....	D14/488
D637,606 S *	5/2011	Luke	.....	D14/488
D640,284 S *	6/2011	Woo	.....	D14/487
D668,671 S	10/2012	Zaman et al.		
D681,657 S *	5/2013	Deng	.....	D14/486
D688,264 S	8/2013	Zaman et al.		
D699,751 S	2/2014	Pearson et al.		
D701,518 S *	3/2014	Thornton	.....	D14/486
D706,821 S *	6/2014	Park	.....	D14/489
D730,387 S *	5/2015	Park	.....	D14/488
D738,395 S *	9/2015	Barcheck	.....	D14/486
D747,332 S *	1/2016	Sic	.....	D14/486
2009/0049412 A1 *	2/2009	Lee	.....	G06F 3/0482 715/841
2012/0254791 A1 *	10/2012	Jackson	.....	G06F 3/0482 715/781
2014/0337773 A1 *	11/2014	Phang	.....	G06F 3/04815 715/767

2015/0062052 A1 *	3/2015	Bernstein	.....	G06F 3/0416 345/173
2015/0234548 A1 *	8/2015	Pierre	.....	G06F 3/0482 715/768
2015/0234568 A1 *	8/2015	Jackson	.....	G06F 3/04815 715/822
2015/0286350 A1 *	10/2015	Gu	.....	G06F 3/0482 715/748
2015/0286351 A1 *	10/2015	Gu	.....	G06F 3/0481 715/841
2015/0286352 A1 *	10/2015	Gu	.....	G06F 3/04842 715/841
2016/0041750 A1 *	2/2016	Cieplinski	.....	G06F 3/04883 715/716

\* cited by examiner

*Primary Examiner* — Cathron Brooks

*Assistant Examiner* — Andrew Nemeth

(74) *Attorney, Agent, or Firm* — Banner & Witcoff, Ltd.

(57) **CLAIM**

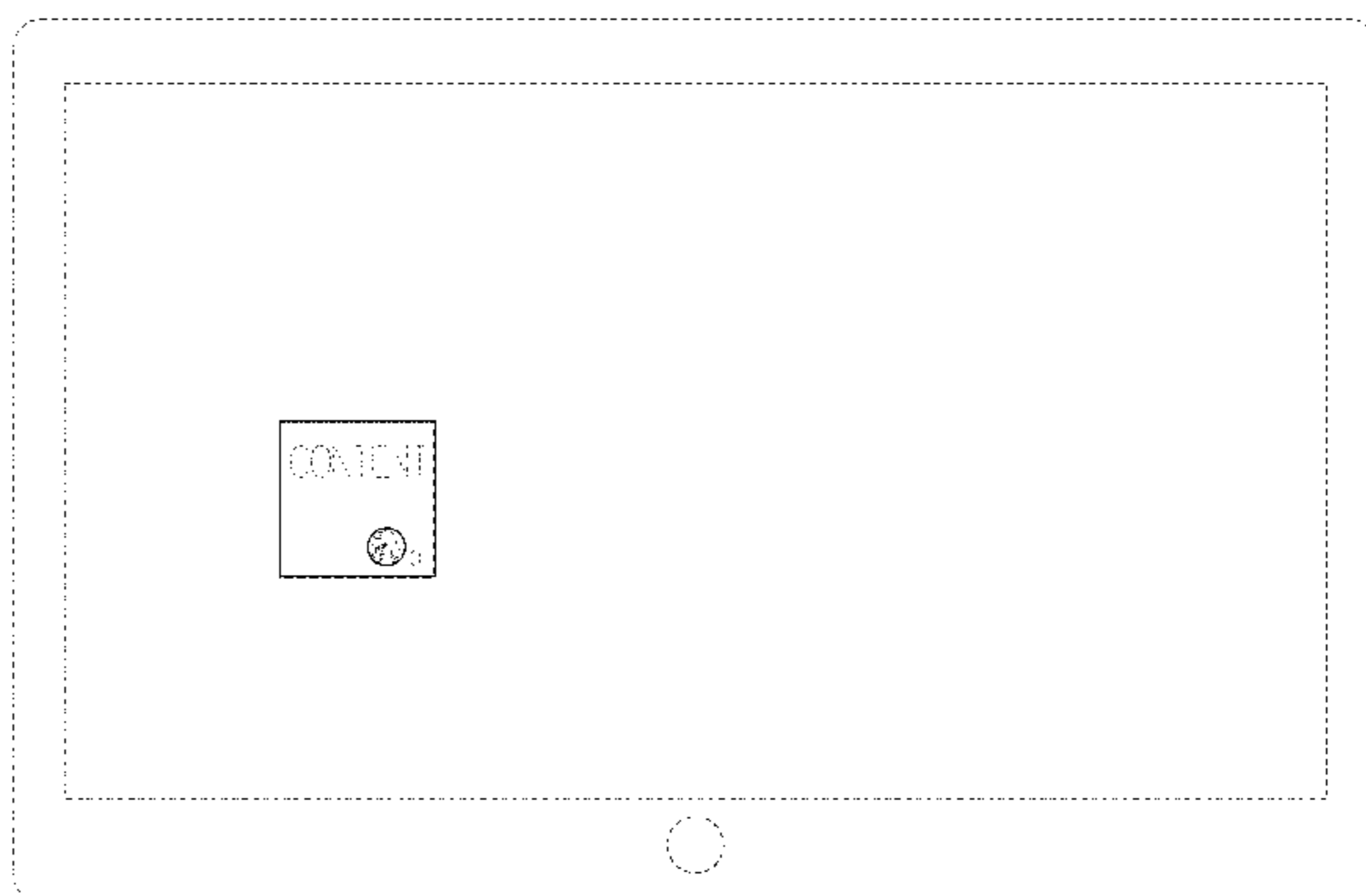
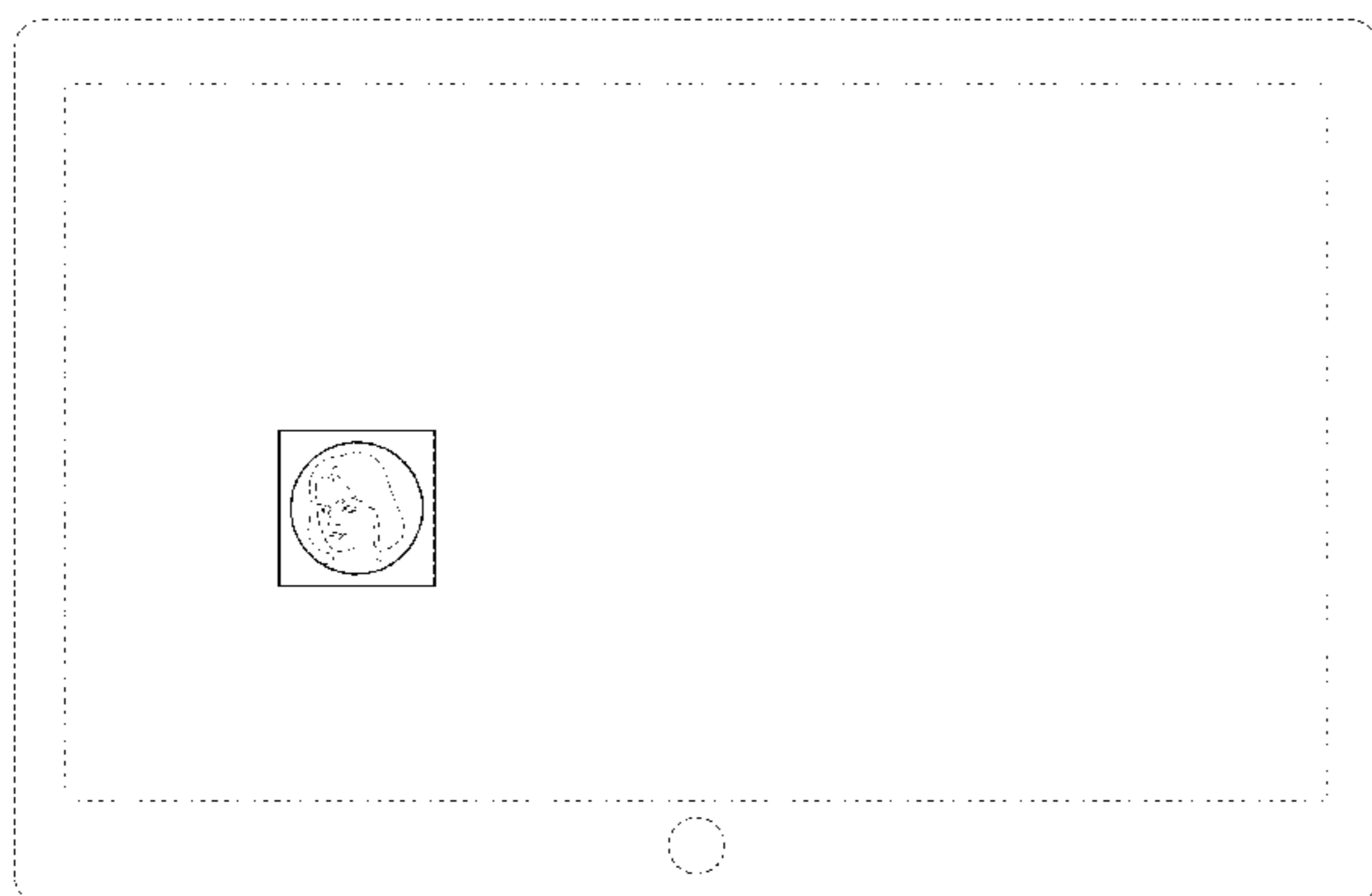
The ornamental design for a display screen with animated graphical user interface, as shown and described.

**DESCRIPTION**

FIG. 1 is the first image in a sequence for a display screen with animated graphical user interface showing my new design; FIG. 2 is the second image thereof; FIG. 3 is the third image thereof; FIG. 4 is the fourth image thereof; FIG. 5 is the fifth image thereof; FIG. 6 is the sixth image thereof; and, FIG. 7 is the seventh image thereof.

The appearance of the animated graphical user interface sequentially transitions between the images shown in FIGS. 1-7. The process or period in which one image transitions to another forms no part of the claimed design. The broken line showing of the text, the humanoid, the numeral shown in FIG. 7, the remainder of the animated graphical user interface and the remainder of the display screen, illustrate portions of the display screen with animated graphical user interface, and form no part of the claimed design. The broken line showing of an electronic device is for the purpose of illustrating environmental structure, and forms no part of the claimed design.

**1 Claim, 7 Drawing Sheets**



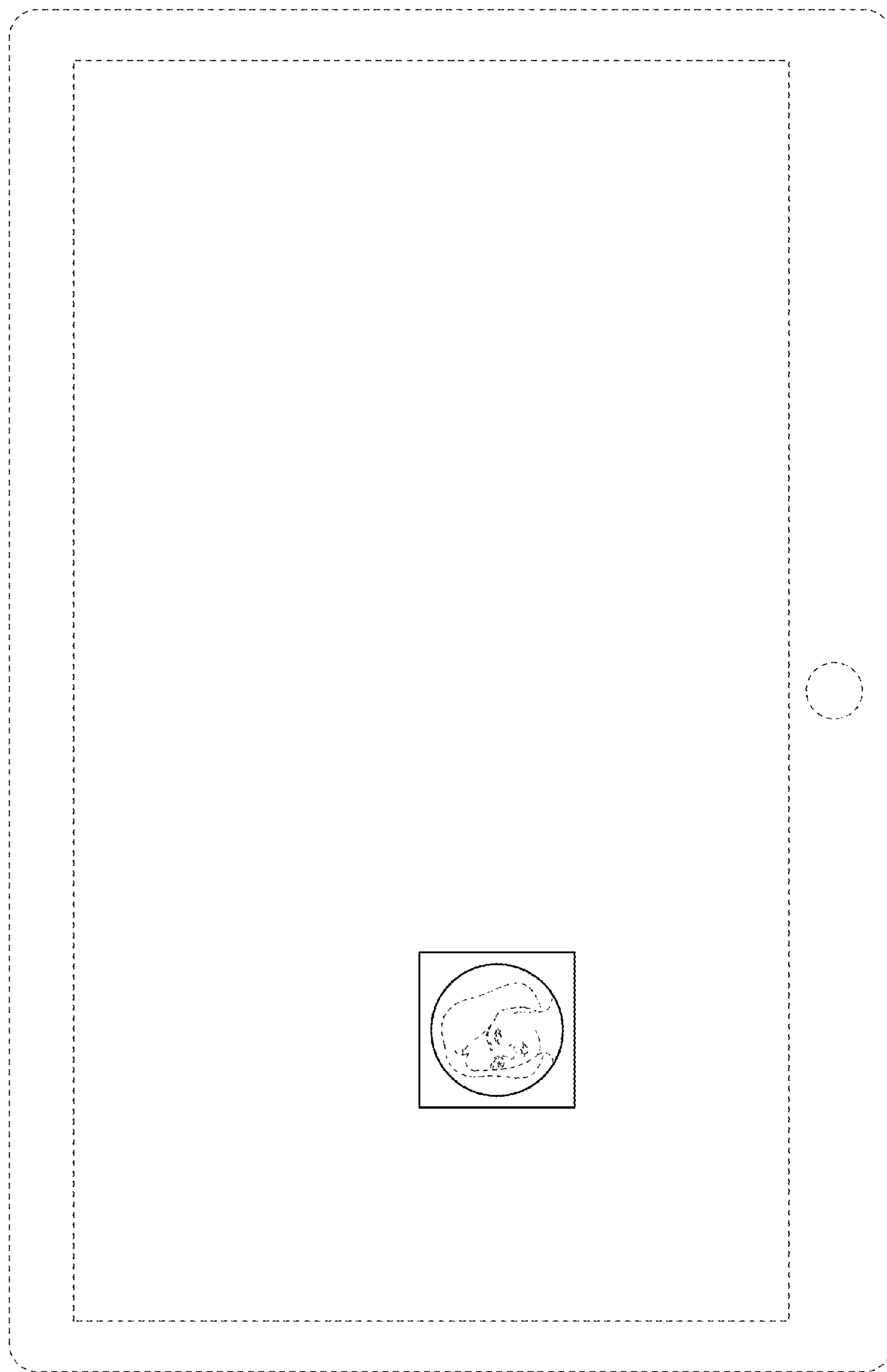


FIG. 1

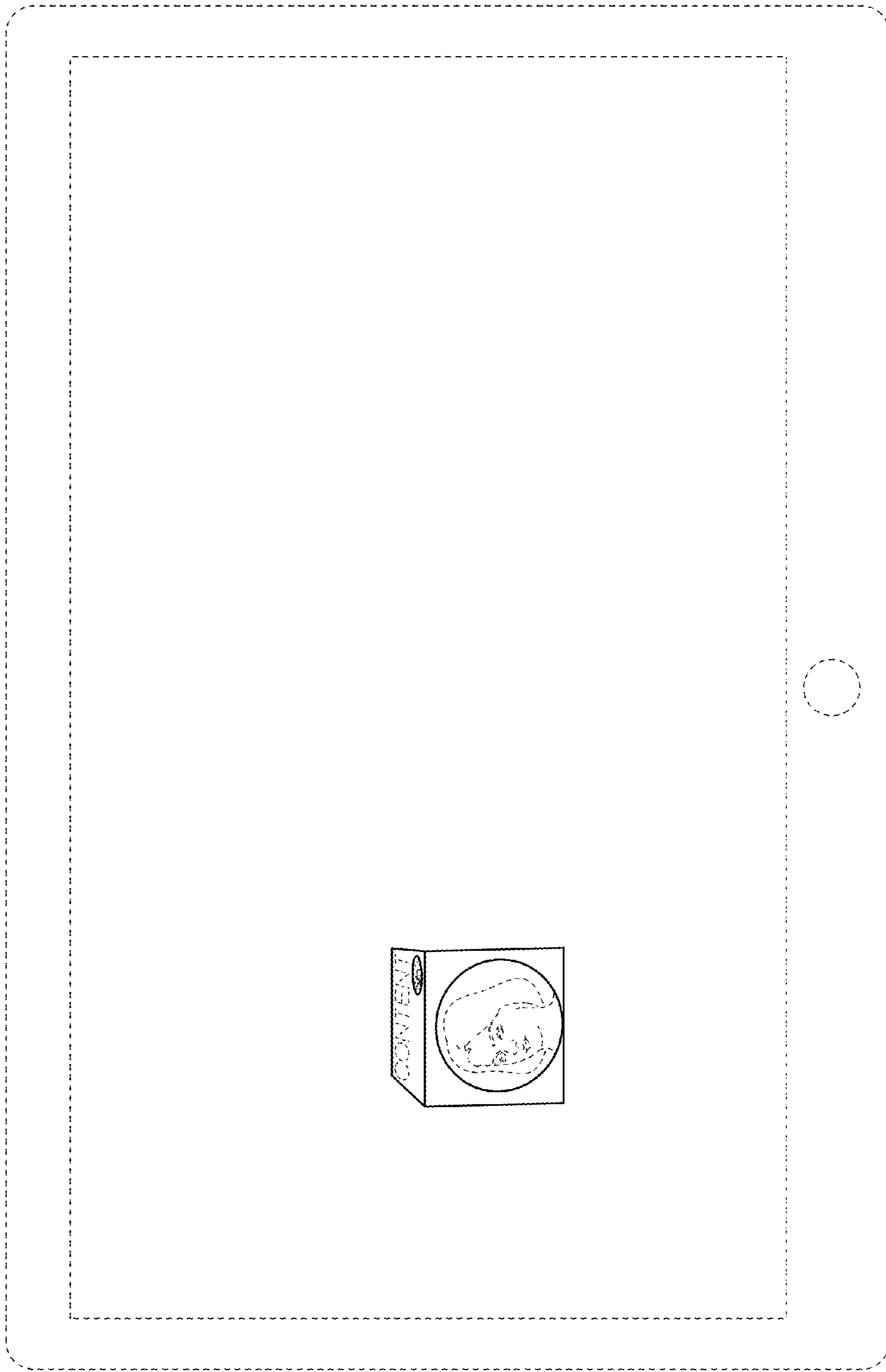


FIG. 2

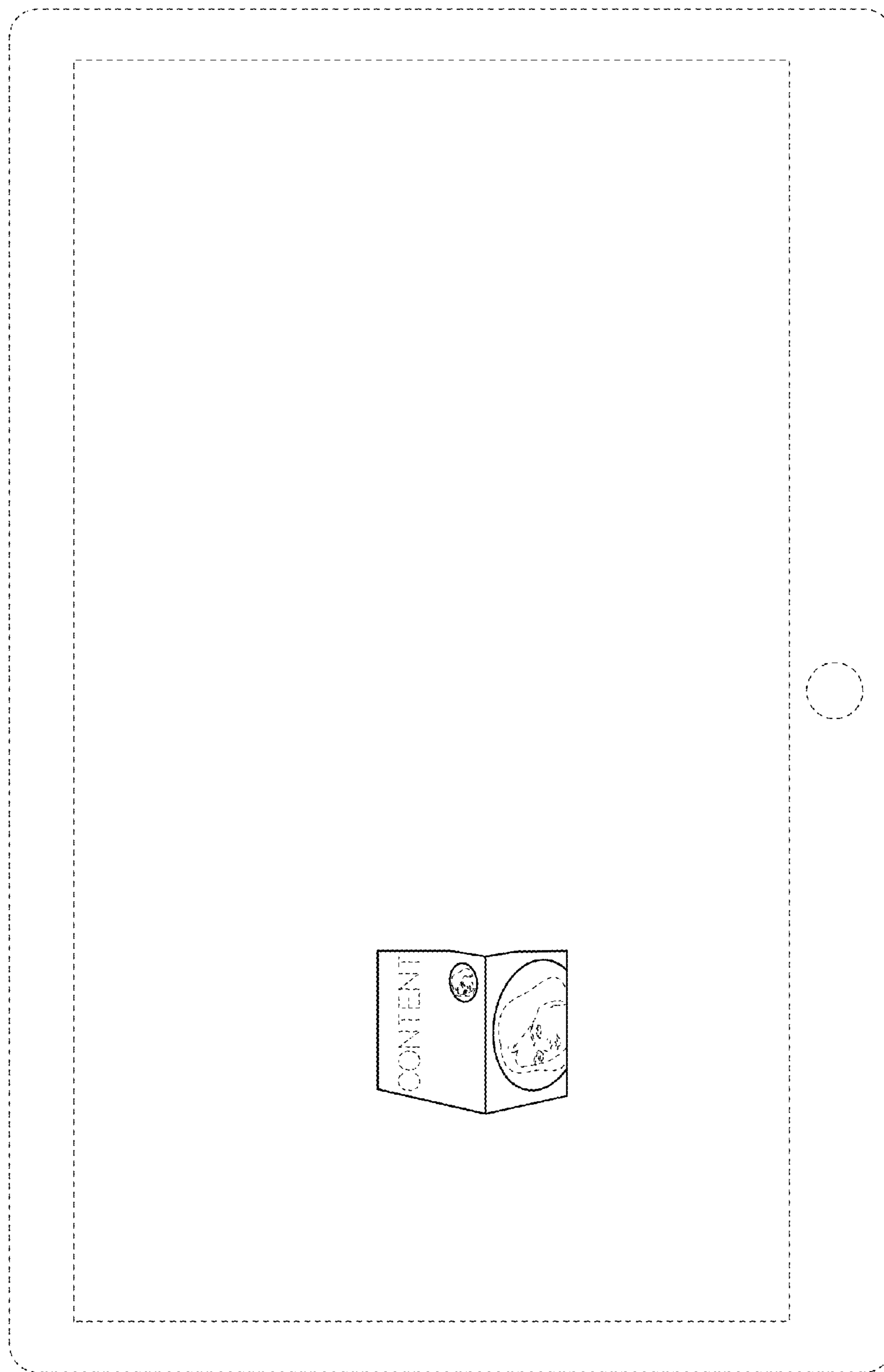


FIG. 3

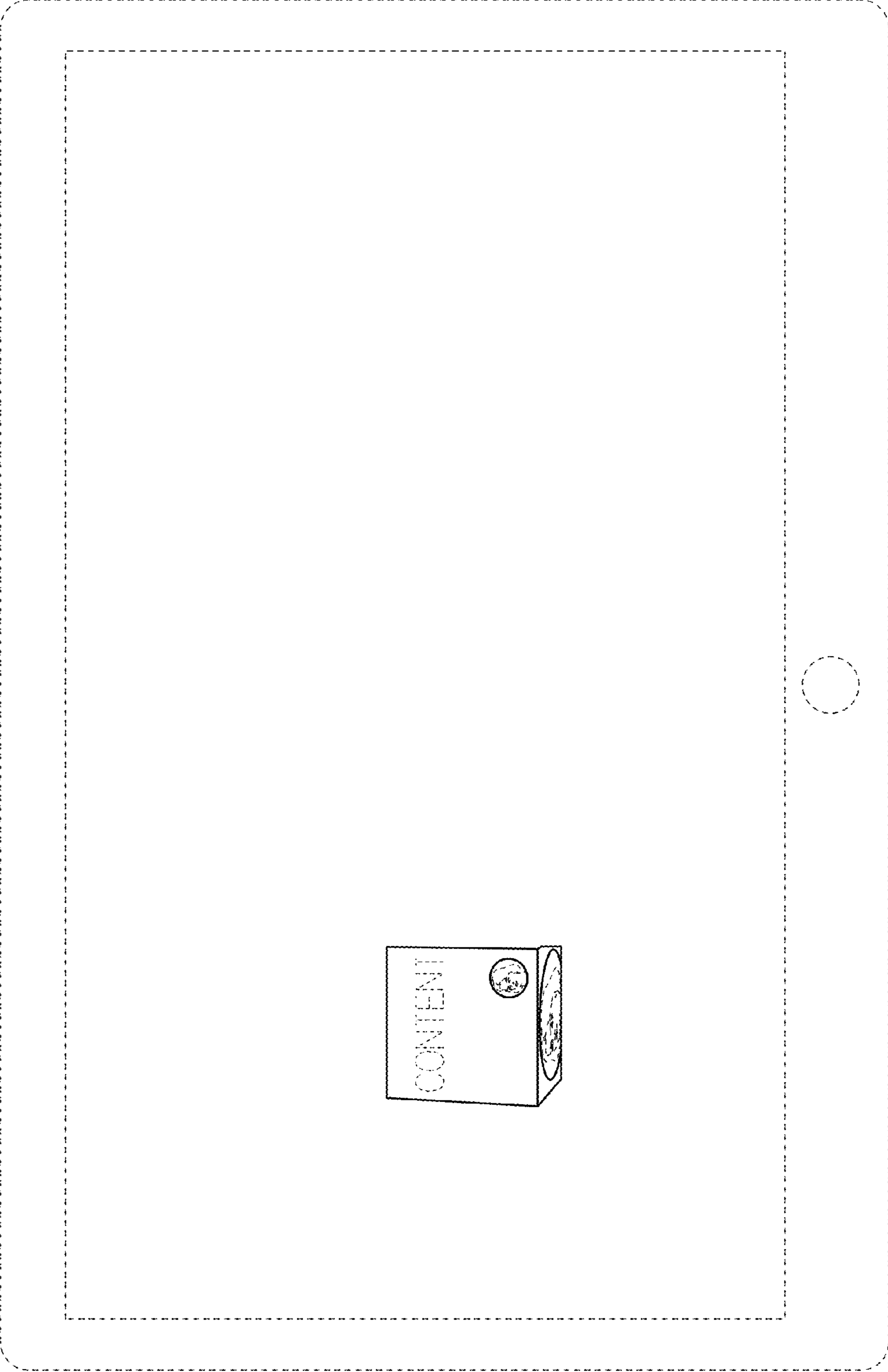


FIG. 4

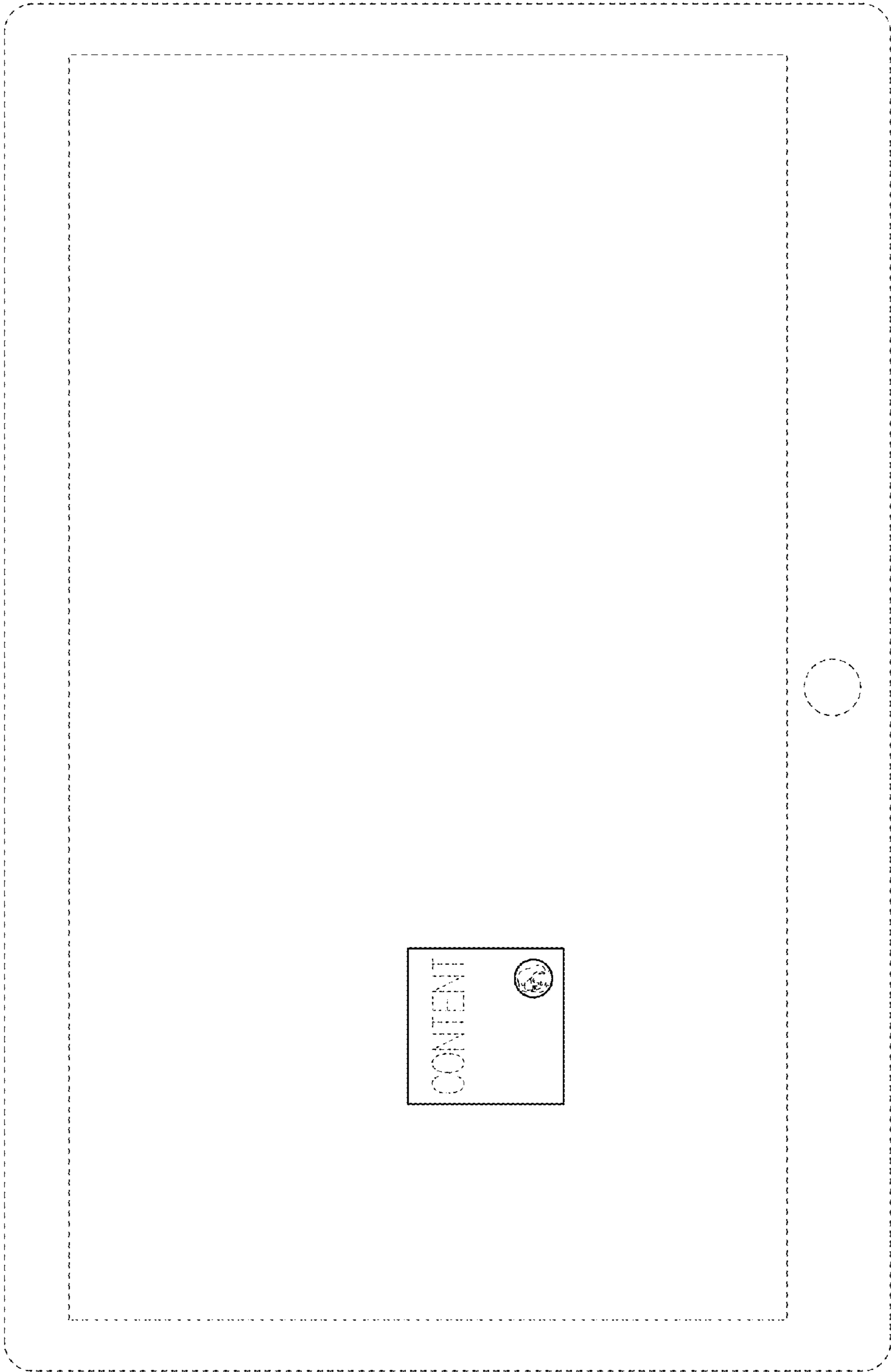


FIG. 5

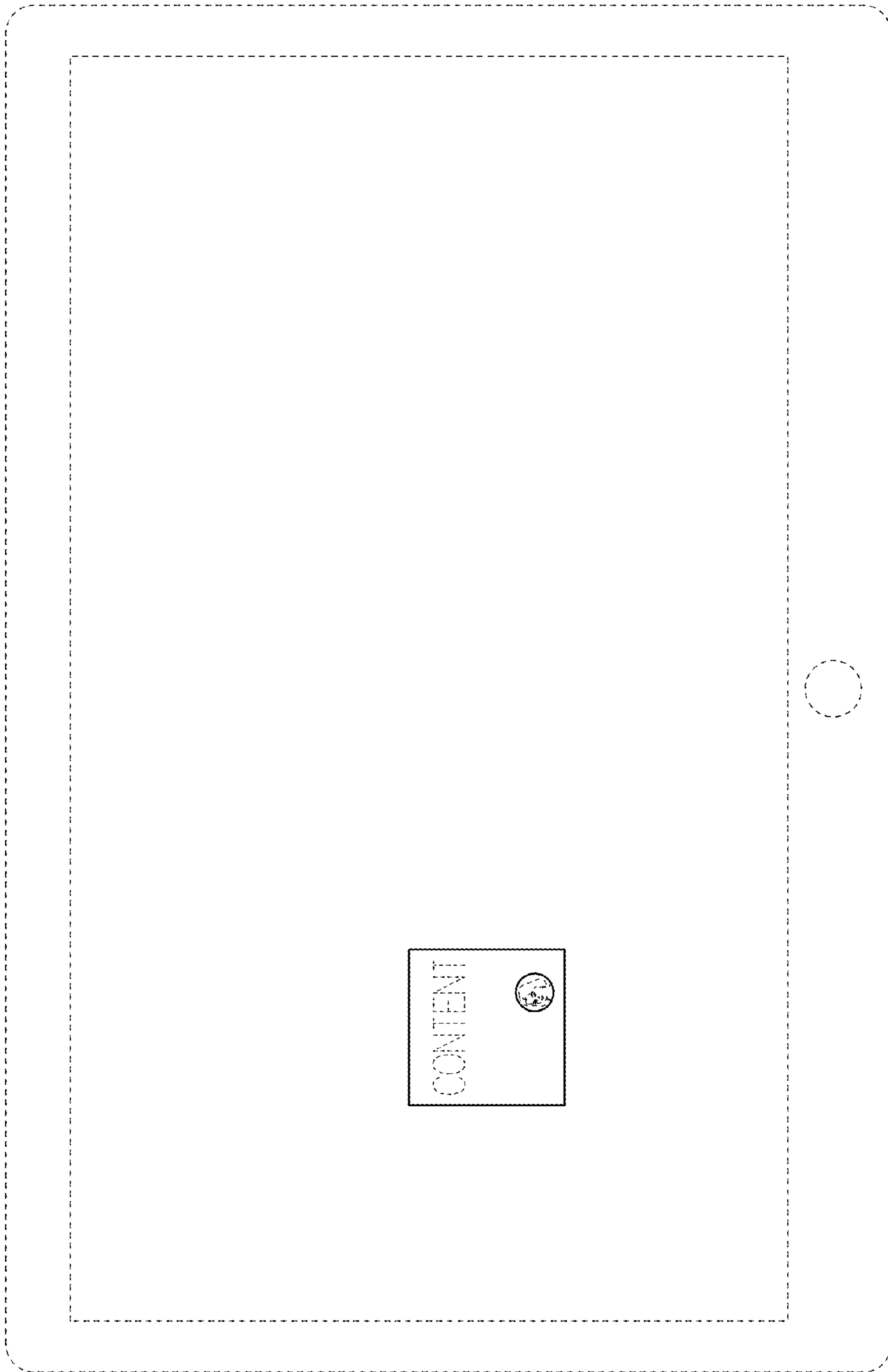


FIG. 6

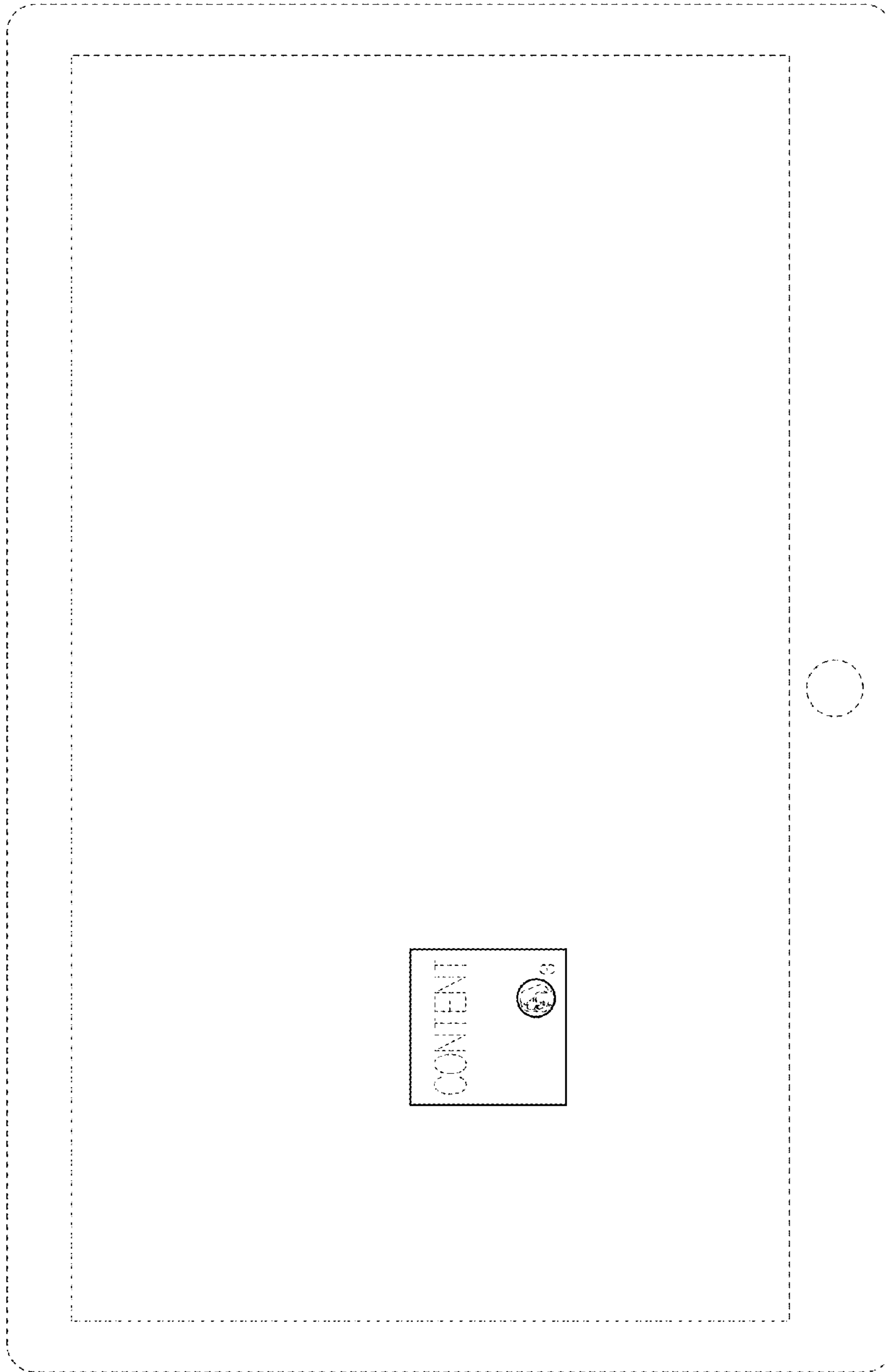


FIG. 7