



US00D761299S

(12) **United States Design Patent**
Rajendran et al.

(10) **Patent No.:** **US D761,299 S**
(45) **Date of Patent:** **** Jul. 12, 2016**

(54) **DISPLAY SCREEN WITH GRAPHICAL USER INTERFACE**

(71) Applicant: **Cognizant Technology Solutions India Pvt. Ltd., Chennai (IN)**

(72) Inventors: **Karthik Rajendran, Chennai-49 (IN); Bharadwaj Raghuraman, Bangalore (IN); Jai Ganesh, Bangalore (IN); Satish Pandelenghat, Princeton, NJ (US); Hemanth Panyam, Hyderabad (IN)**

(73) Assignee: **COGNIZANT TECHNOLOGY SOLUTIONS INDIA PVT. LTD., Chennai (IN)**

(**) Term: **14 Years**

(21) Appl. No.: **29/503,241**

(22) Filed: **Sep. 24, 2014**

(51) **LOC (10) Cl.** **14-04**

(52) **U.S. Cl.**
USPC **D14/488**

(58) **Field of Classification Search**
USPC D14/485-495; 715/772, 786, 830, 833, 715/834
CPC . G06F 1/1692; G06F 3/04847; G06F 3/0481; G06F 3/03547; G06F 3/0482; G06F 3/033; G06F 3/048; G06F 3/0484; G06F 3/0488; G06F 3/04886

See application file for complete search history.

(56) **References Cited**

U.S. PATENT DOCUMENTS

D461,822 S * 8/2002 Okuley D14/489
6,448,987 B1 * 9/2002 Easty G06F 3/0482
715/834
D507,002 S * 7/2005 Retuta D14/486
D554,662 S * 11/2007 Hoover D14/487

7,992,102 B1 * 8/2011 De Angelo G06F 3/0482
715/804
8,245,156 B2 * 8/2012 Mouilleseaux G06F 3/0482
715/834
8,416,198 B2 * 4/2013 Rathnam G06F 3/03547
345/156
D699,747 S * 2/2014 Pearson D14/488
D703,693 S * 4/2014 Brinda D14/488
8,707,211 B2 * 4/2014 Yasui G06F 3/0482
715/834

(Continued)

Primary Examiner — Karen E. Eldridge Powers

Assistant Examiner — Kimberly Barnes

(74) *Attorney, Agent, or Firm* — Cantor Colburn LLP

(57) **CLAIM**

We claim, the ornamental design for a display screen with graphical user interface, as shown and described.

DESCRIPTION

FIG. 1 is a front view of a first image in a sequence for the display screen with graphical user interface, showing our new design;

FIG. 2 is a front view of the second image thereof.

FIG. 3 is a front view of the third image thereof;

FIG. 4 is a front view of a fourth image thereof;

FIG. 5 is a front view of the fifth image thereof;

FIG. 6 is a front view of the sixth image thereof;

FIG. 7 is a front view of the seventh image thereof;

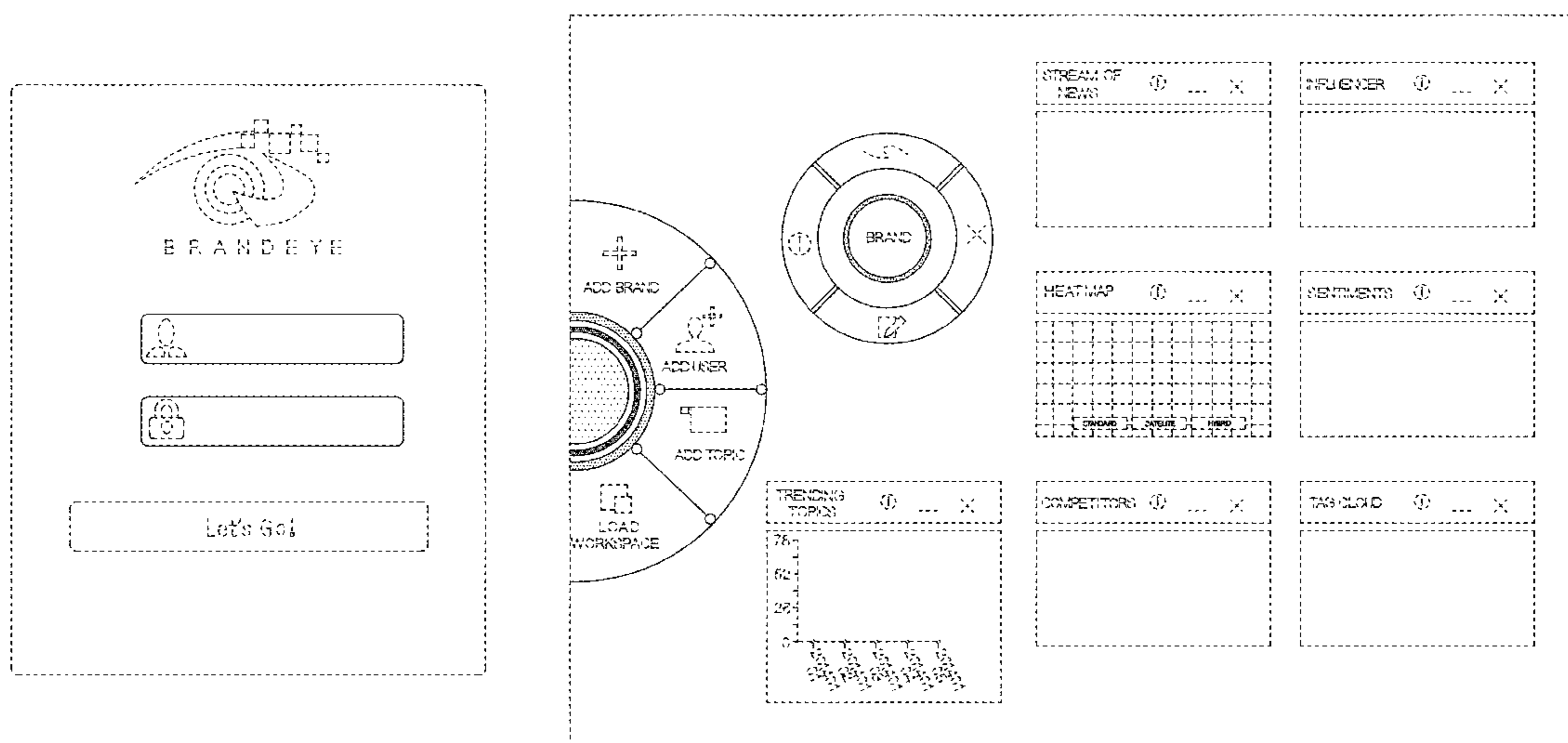
FIG. 8 is a front view of the eighth image thereof; and,

FIG. 9 is a front view of the ninth image thereof.

The broken lines in the drawings showing a display screen or portion thereof and features of the graphical user interface illustrate environmental structure that forms no part of the claimed design.

The appearance of the images sequentially transitions between the images shown in FIGS. 1-9. The process or period in which one image transitions to another forms no part of the claimed design.

1 Claim, 9 Drawing Sheets



(56)

References Cited

U.S. PATENT DOCUMENTS

D710,867 S * 8/2014 Nies D14/486
D716,320 S * 10/2014 Fan D14/485
D716,325 S * 10/2014 Brudnicki D14/486
D719,177 S * 12/2014 Cohen D14/485
D725,148 S * 3/2015 Pereira D14/492
D736,780 S * 8/2015 Wang D14/485
9,128,595 B2 * 9/2015 Muller G06F 17/246
D742,910 S * 11/2015 Drozd D14/485
9,207,776 B2 * 12/2015 Jiang G06F 3/0236

2013/0019175 A1* 1/2013 Kotler G06F 3/0482
715/728
2013/0127911 A1* 5/2013 Brown G06F 3/04886
345/649
2013/0219340 A1* 8/2013 Linge G06F 3/04883
715/834
2014/0223373 A1* 8/2014 Reed G06F 3/0488
715/823
2014/0298235 A1* 10/2014 Caldwell G06Q 40/12
715/772
2015/0160807 A1* 6/2015 Vakharia G06Q 30/0627
705/26.63

* cited by examiner

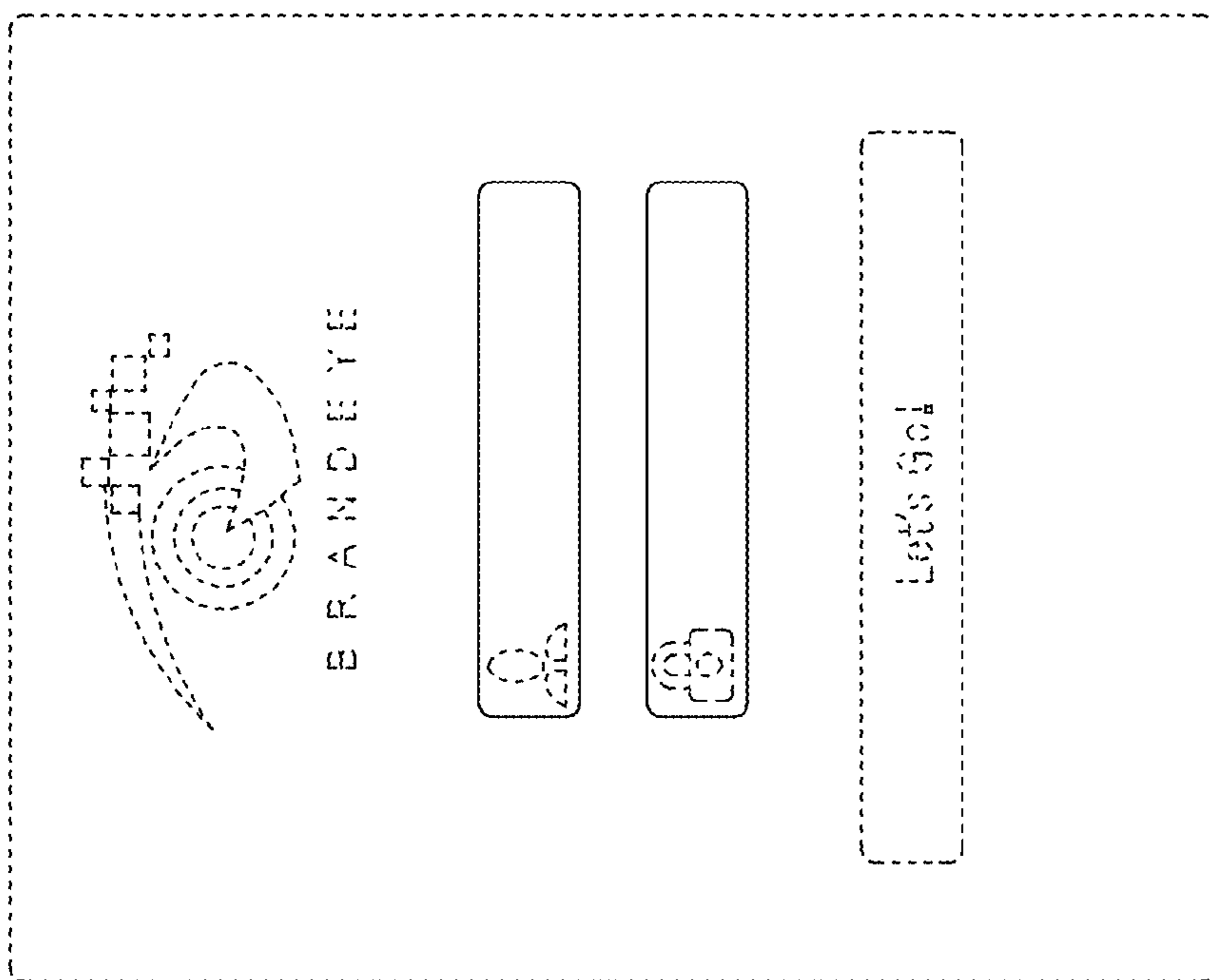


FIG. 1

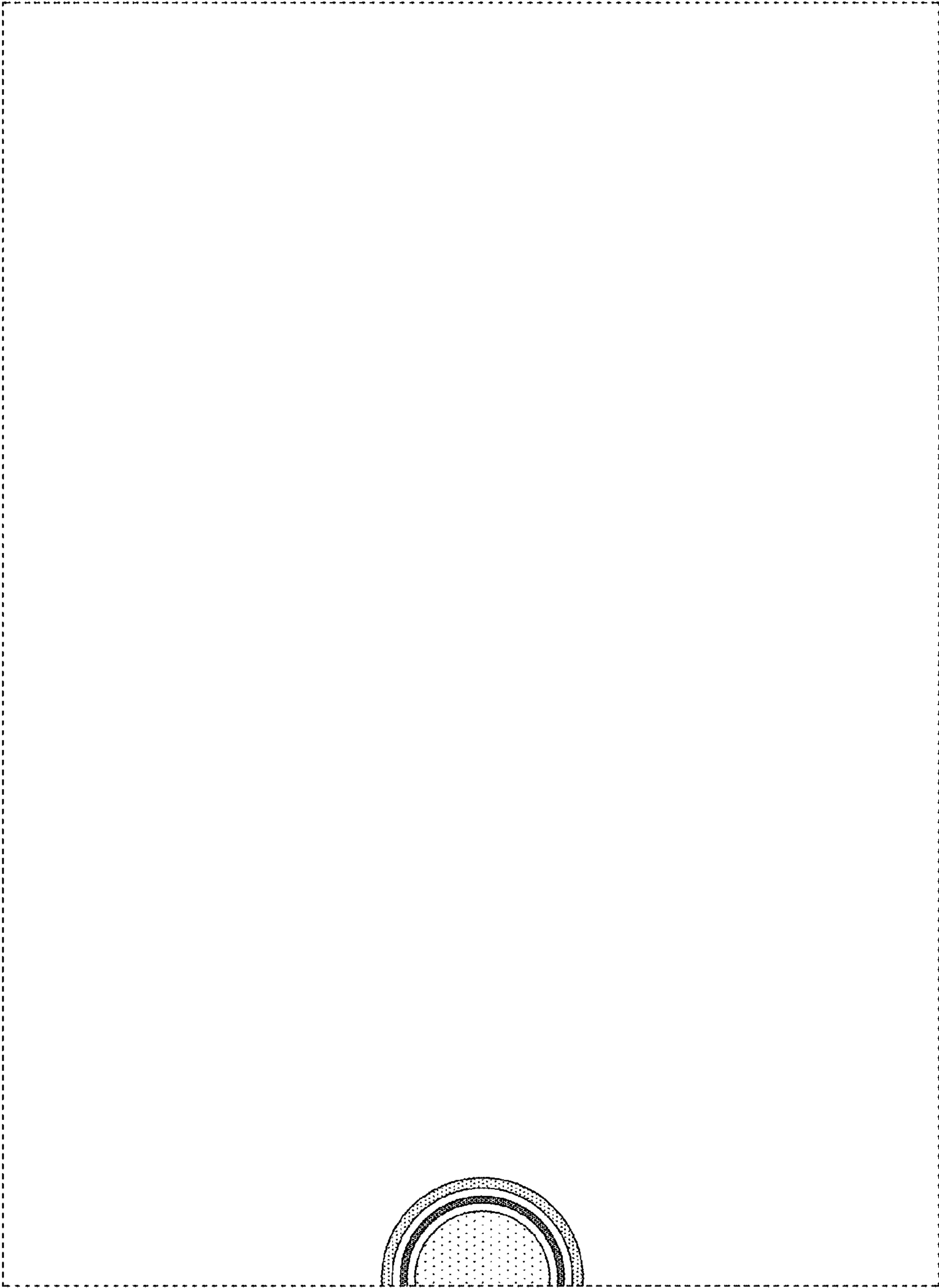


FIG. 2

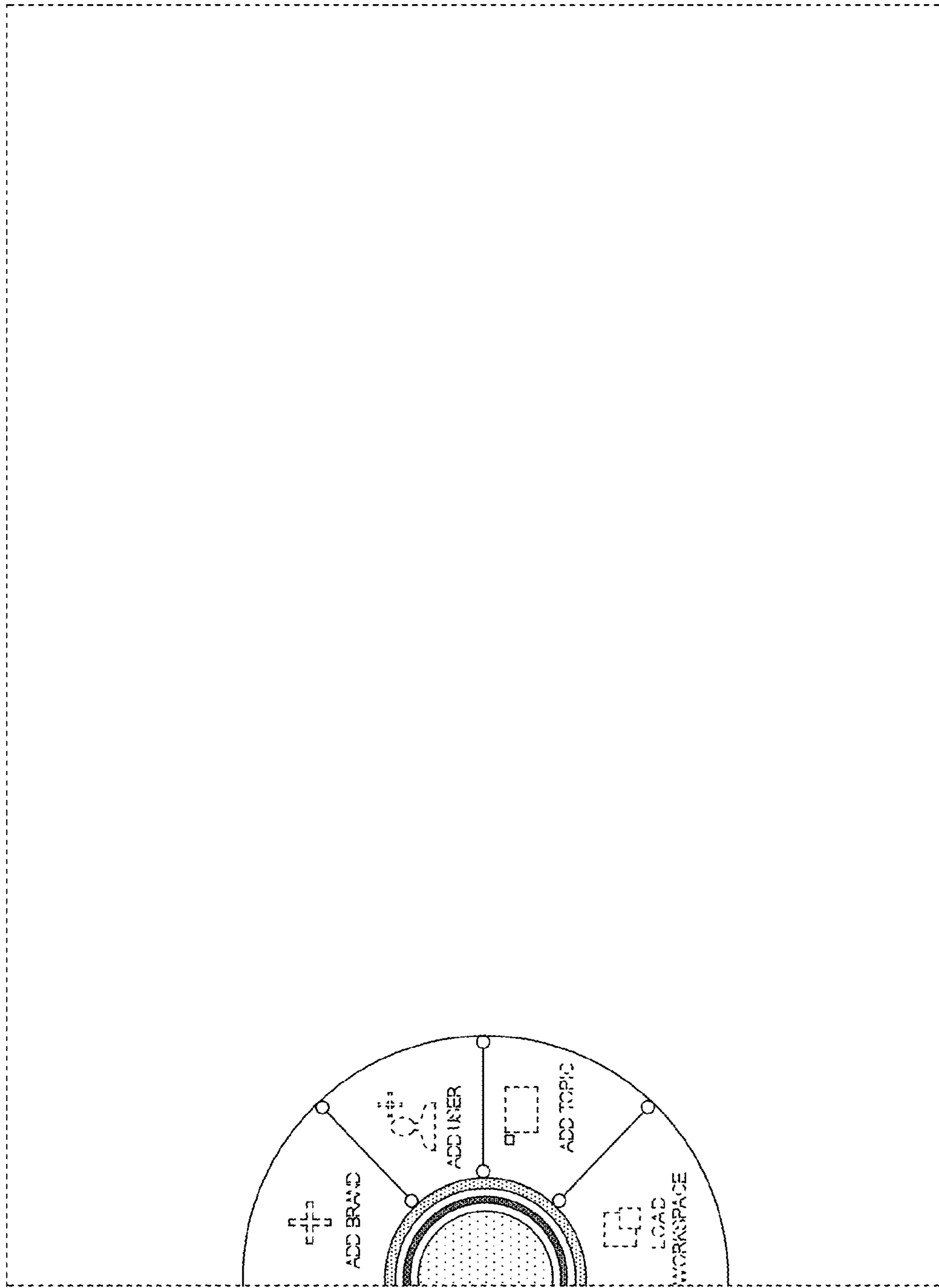


FIG. 3

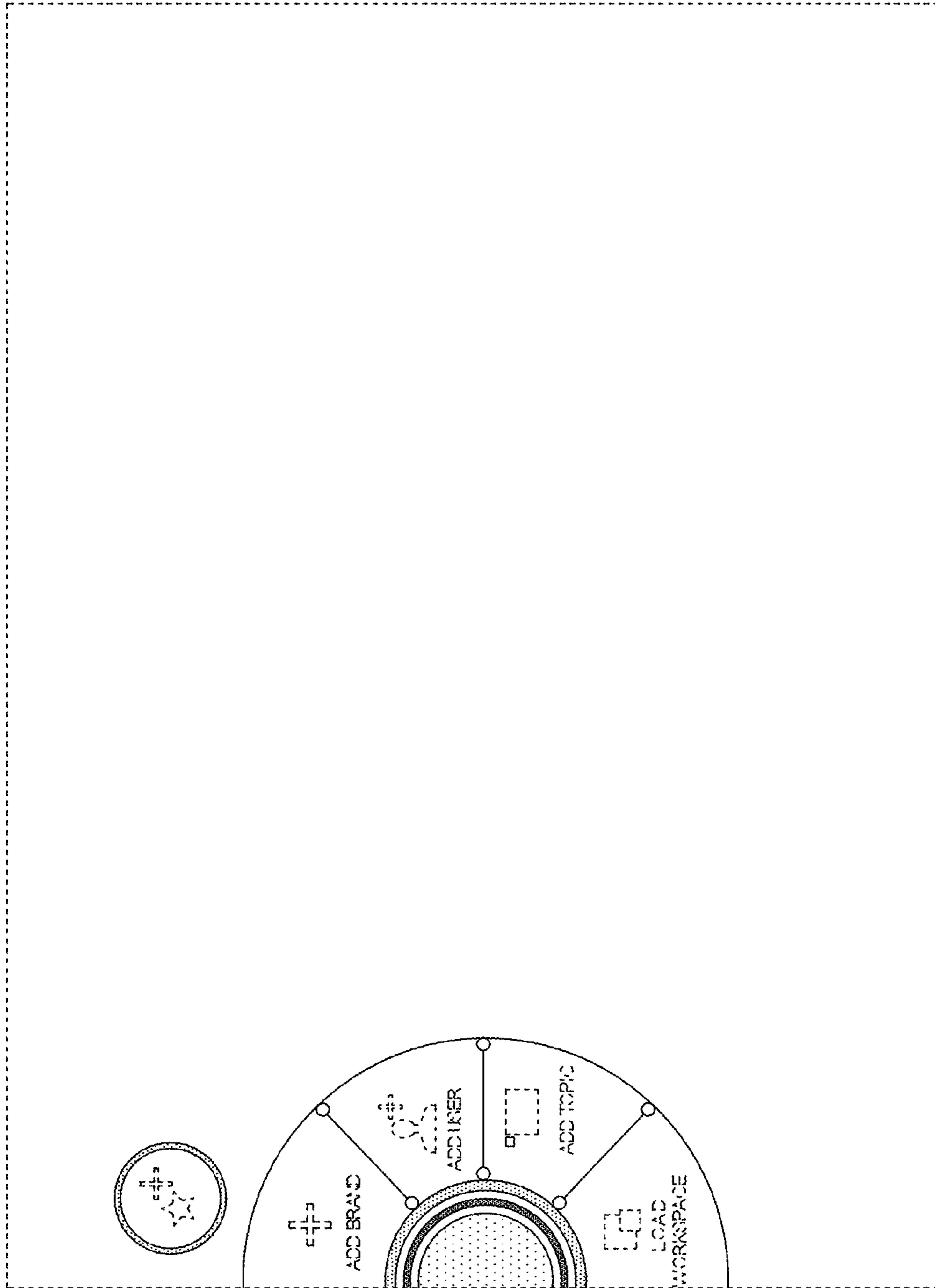


FIG. 4

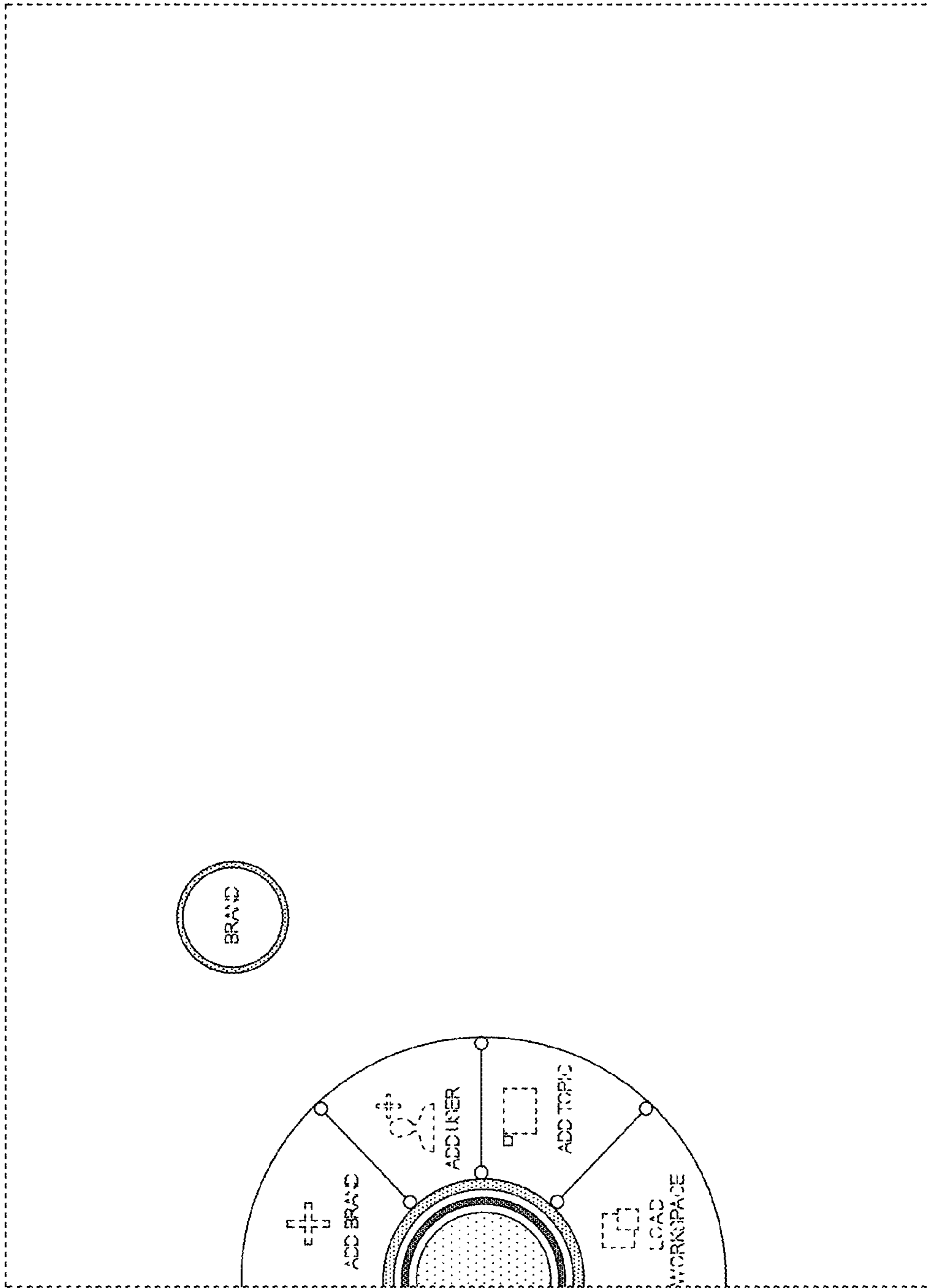


FIG. 5

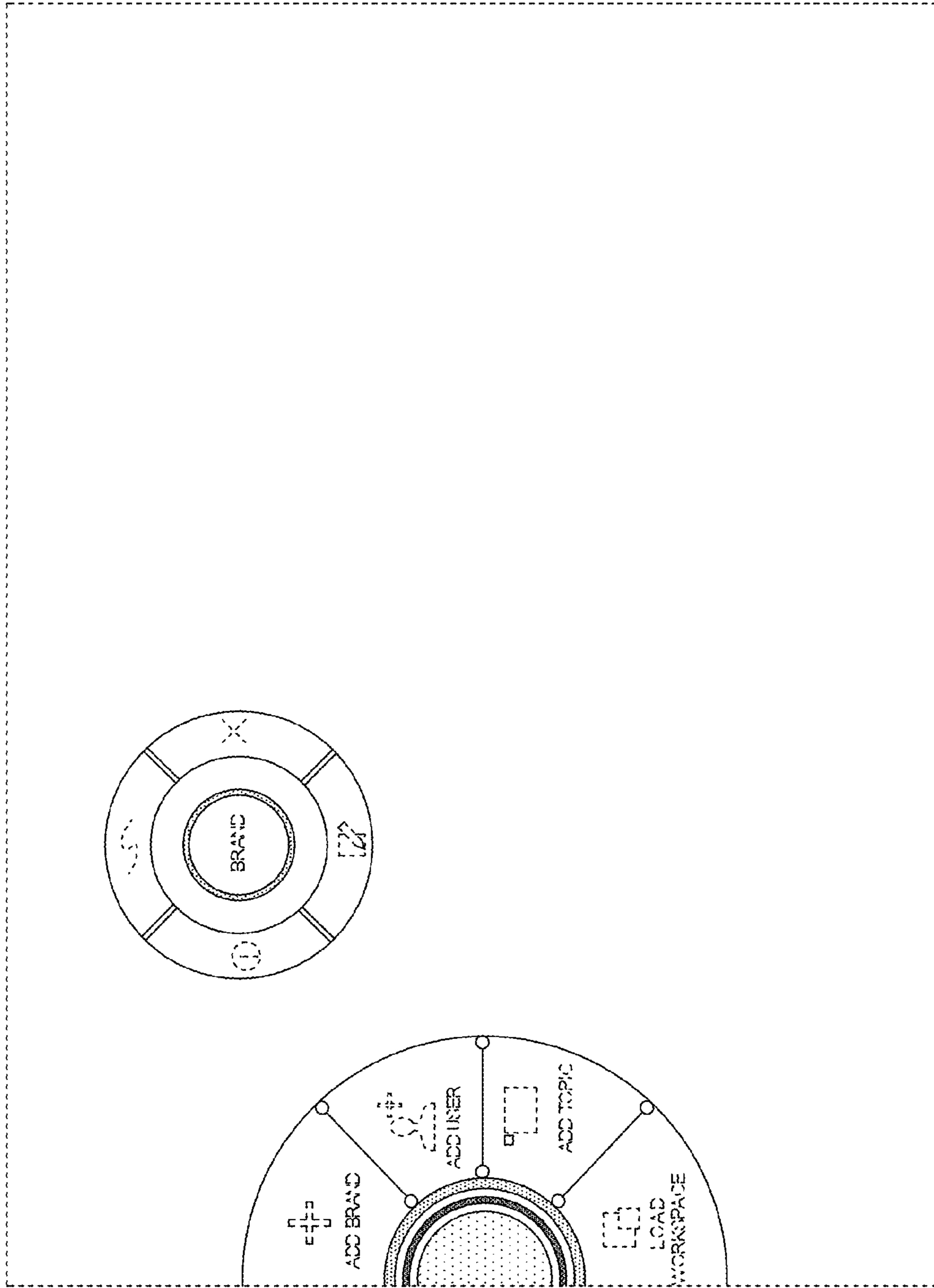


FIG. 6

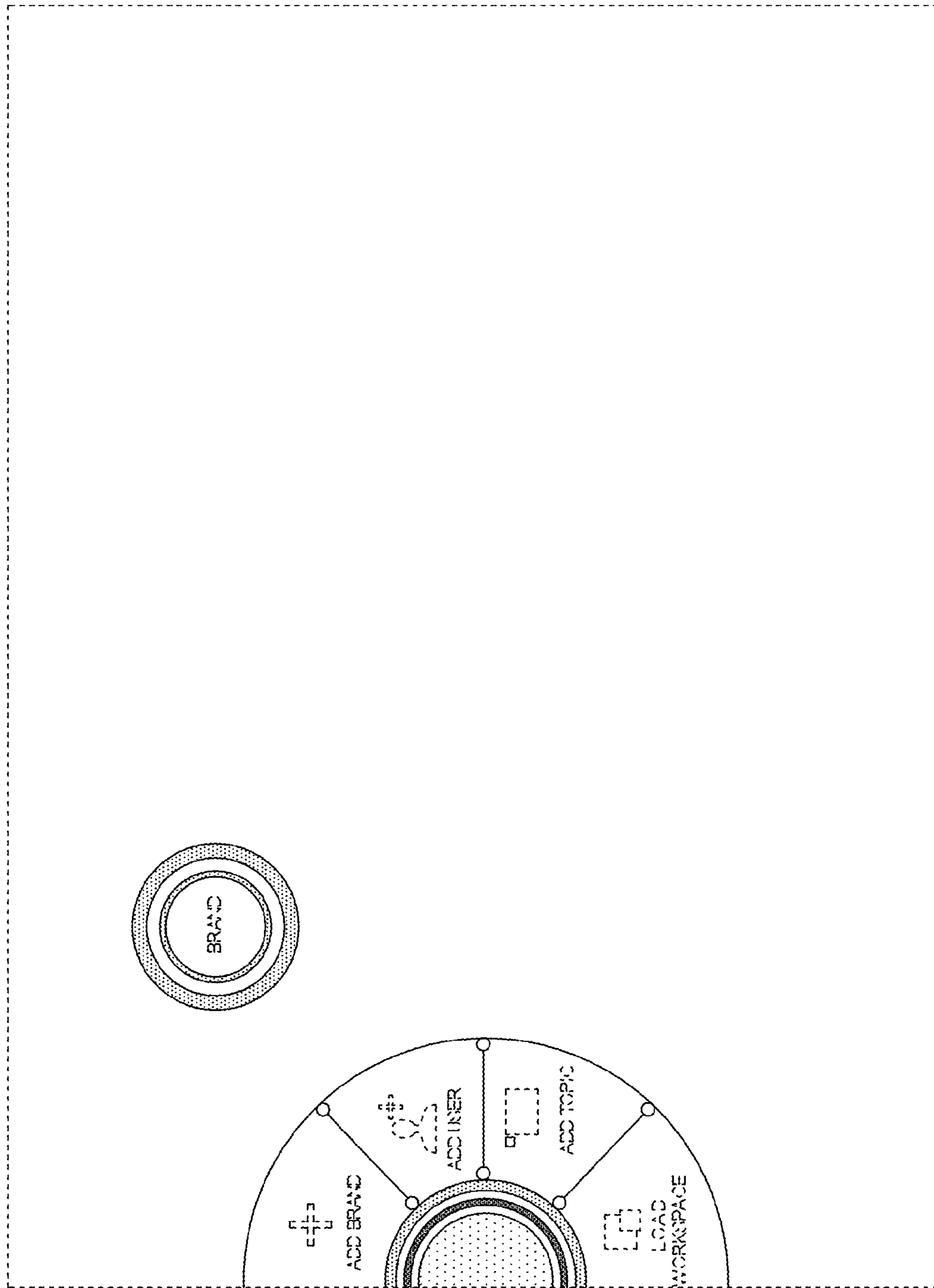


FIG. 7

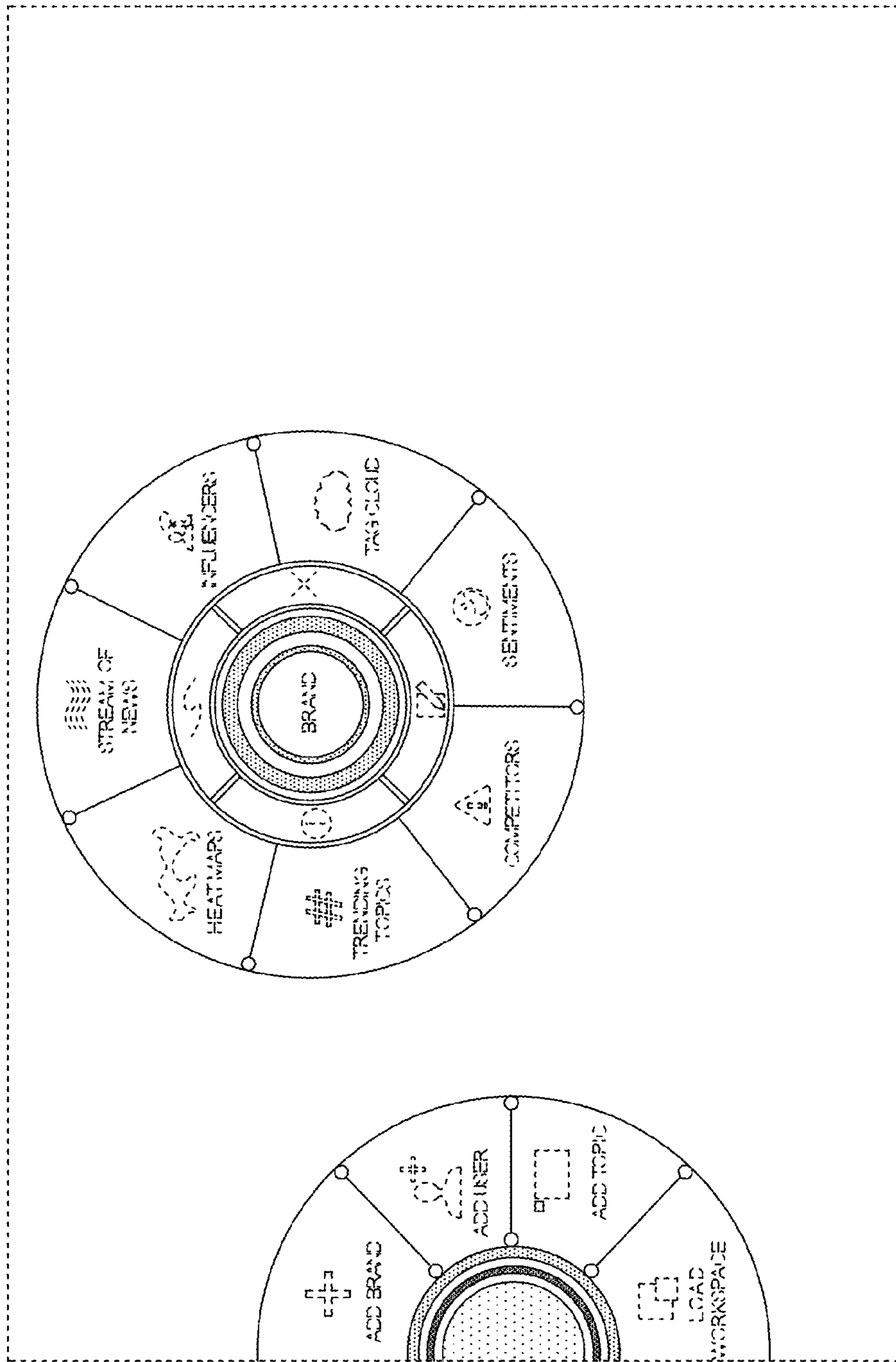


FIG. 8

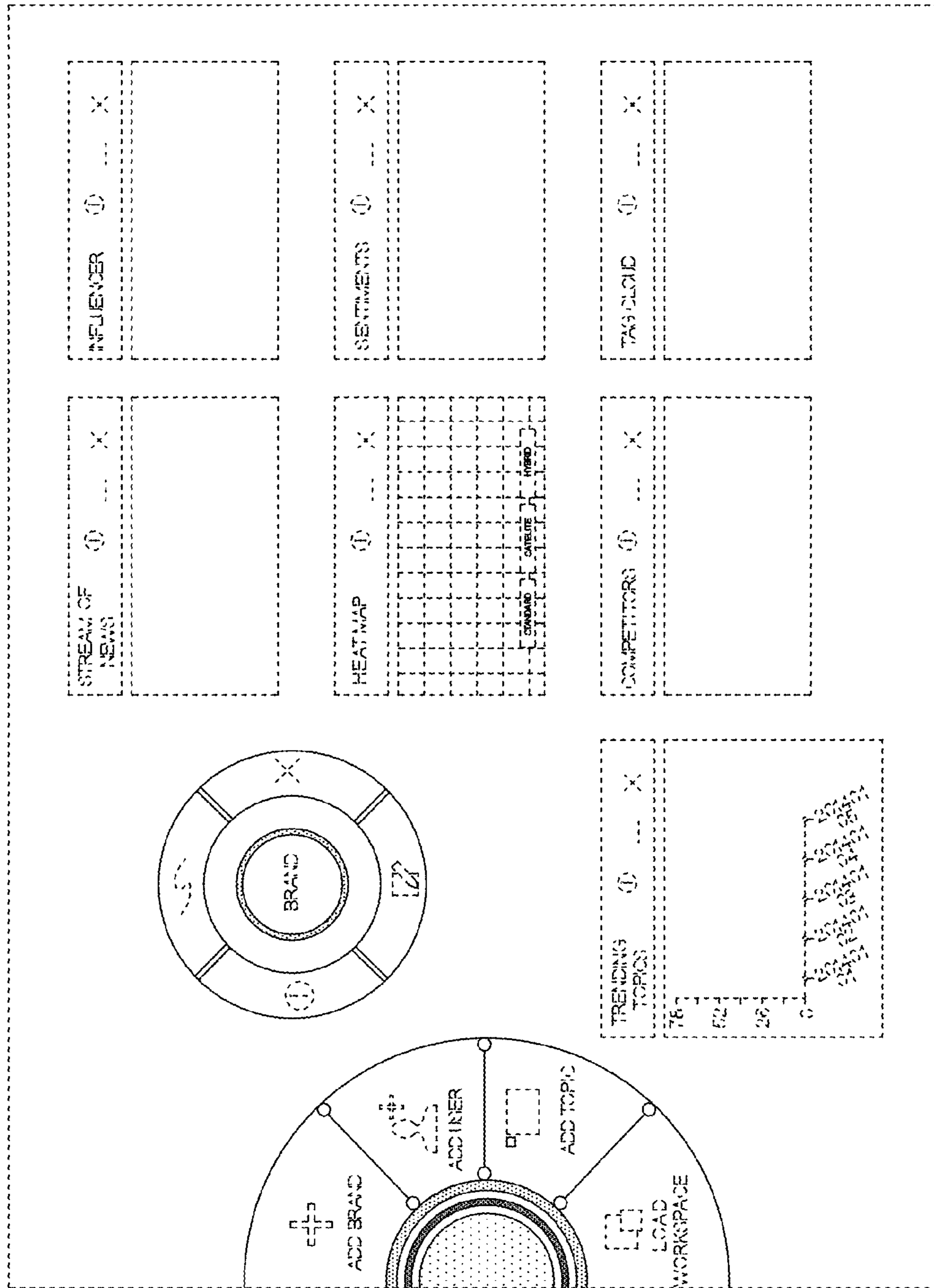


FIG. 9