

US00D761297S

(12) **United States Design Patent**
Eder

(10) **Patent No.:** **US D761,297 S**
(45) **Date of Patent:** **** Jul. 12, 2016**

(54) **DISPLAY SCREEN WITH AN ANIMATED GRAPHICAL USER INTERFACE**

(71) Applicant: **INCLUDEFITNESS, INC.**, Columbus, OH (US)

(72) Inventor: **James Ryan Eder**, Columbus, OH (US)

(73) Assignee: **INCLUDE FITNESS, INC.**, Columbus, OH (US)

(**) Term: **14 Years**

(21) Appl. No.: **29/525,313**

(22) Filed: **Apr. 28, 2015**

(51) **LOC (10) Cl.** **14-04**

(52) **U.S. Cl.**

USPC **D14/487**

(58) **Field of Classification Search**

USPC D14/485-495

CPC G06F 3/048; G06F 3/0481; G06F 3/04812

See application file for complete search history.

(56) **References Cited**

U.S. PATENT DOCUMENTS

1,922,418	A	8/1933	Conant	
4,010,948	A	3/1977	Deluty	
4,411,424	A	10/1983	Barnett	
4,828,257	A	5/1989	Dyer et al.	
4,898,381	A	2/1990	Gordon	
D307,127	S *	4/1990	Simons D12/192
5,102,122	A	4/1992	Piane et al.	
5,123,886	A	6/1992	Cook	
5,277,685	A	1/1994	Gonzales	
D347,584	S	6/1994	Vogelpohl	
5,603,682	A	2/1997	Grider	
6,033,350	A	3/2000	Krull	
6,120,421	A	9/2000	Kuo	
6,224,519	B1	5/2001	Doolittle	
6,238,323	B1	5/2001	Simonson	
6,443,877	B1	9/2002	Hoecht et al.	

6,443,878	B1	9/2002	Webber
6,599,223	B2	7/2003	Wang et al.
7,166,066	B2	1/2007	Webber
7,179,209	B2	2/2007	Sechrest et al.
7,282,016	B2	10/2007	Simonson
7,335,141	B2	2/2008	Piane

(Continued)

OTHER PUBLICATIONS

“Garmin connect mobile app—review #2—Oct. 2015,” [online], posted Oct. 22, 2015, retrieved Mar. 22, 2016, retrieved from <https://www.youtube.com/watch?v=7my3wMpeRbE>.*

(Continued)

Primary Examiner — Karen E Kearney

Assistant Examiner — Debra Callahan

(74) *Attorney, Agent, or Firm* — Ulmer & Berne LLP

(57) **CLAIM**

The ornamental design for a display screen with an animated graphical user interface, as shown and described.

DESCRIPTION

FIG. 1 is a front view of a first image in a sequence for a display screen with an animated graphical user interface, showing a first embodiment of my new design;

FIG. 2 is a front view of a second image thereof;

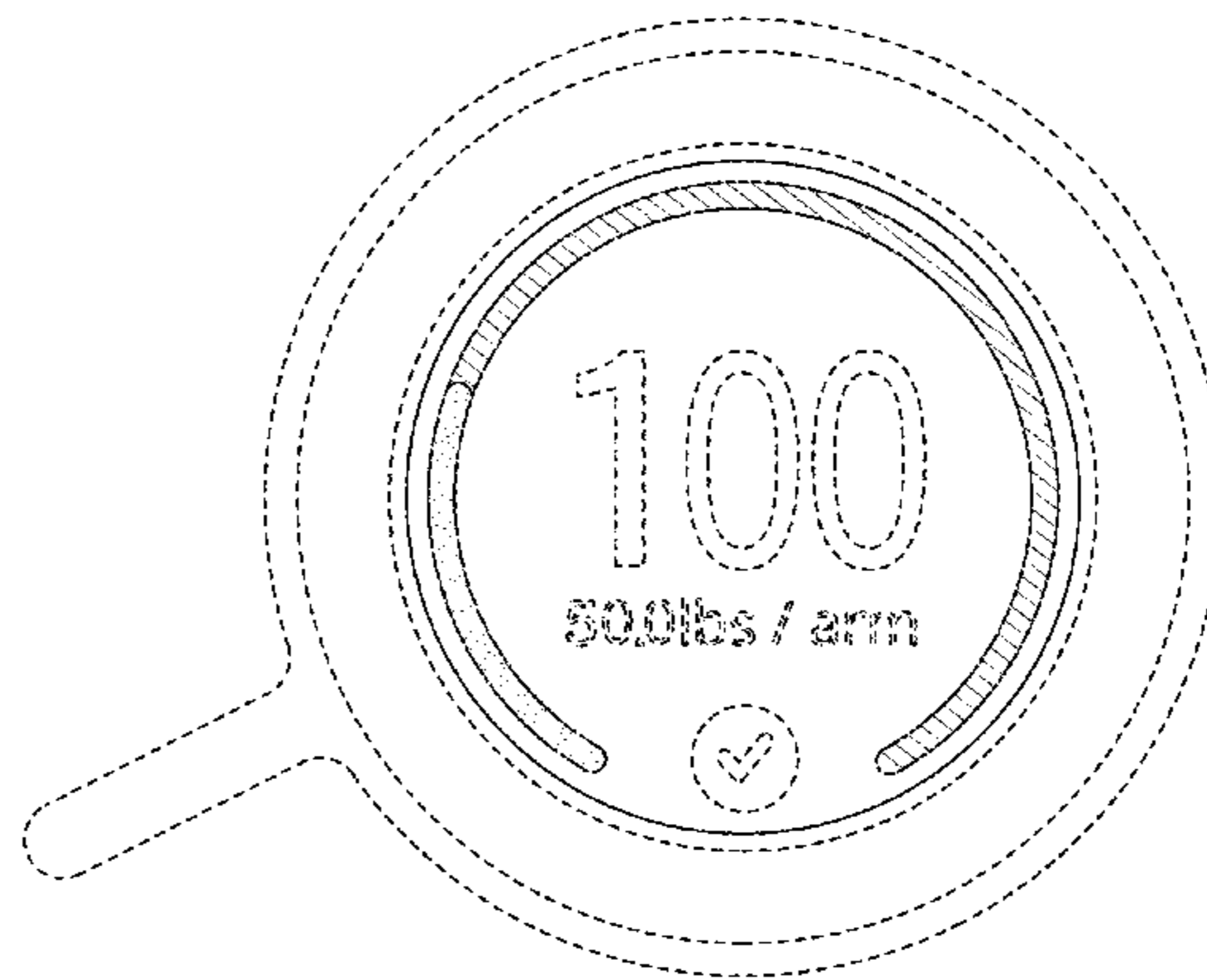
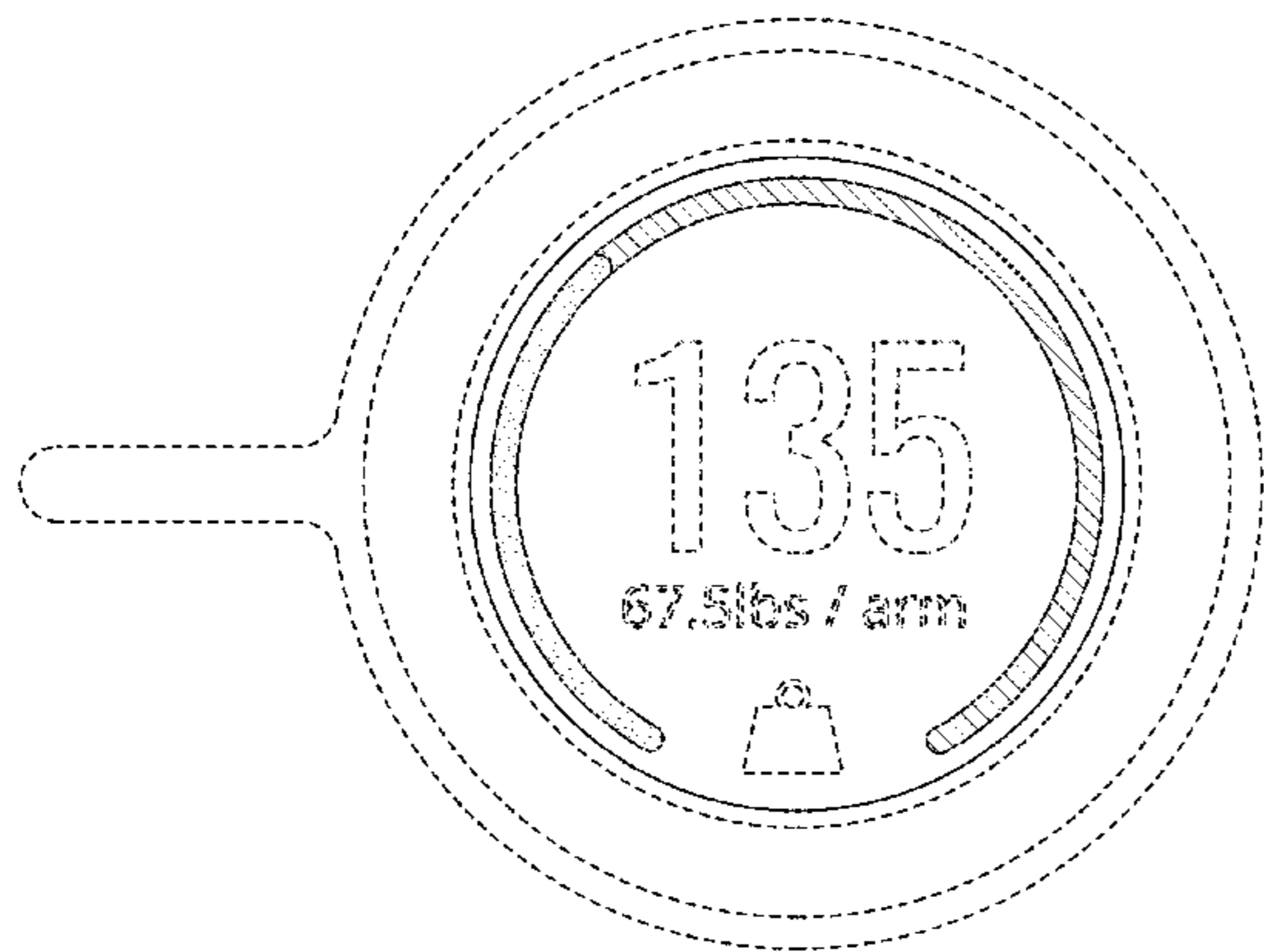
FIG. 3 is a front view of a first image in a sequence for a second embodiment thereof; and,

FIG. 4 is a front view of a second image thereof.

The broken line showings of the control unit, display screen, and various features of the animated graphical user interface are included for the purpose of illustrating environmental structure and portions of the article. The broken lines form no part of the claimed design.

The appearance of the animated graphical user interface sequentially transitions between the images shown in FIGS. 1-2 and 3-4.

1 Claim, 4 Drawing Sheets



(56)

References Cited

U.S. PATENT DOCUMENTS

7,485,076 B2 2/2009 Lee
 D595,727 S * 7/2009 Koes D14/485
 7,584,899 B2 9/2009 de Pauw et al.
 7,592,923 B2 9/2009 Lax
 D608,368 S * 1/2010 Bamford D14/486
 7,722,509 B2 5/2010 Eder
 D669,497 S * 10/2012 Lee D14/489
 D669,499 S * 10/2012 Gardner D14/495
 D671,132 S * 11/2012 Woo D14/487
 D672,784 S * 12/2012 Clanton D14/485
 D675,640 S * 2/2013 Frost D14/488
 8,371,164 B2 2/2013 Sneek
 D677,180 S 3/2013 Plitkins et al.
 8,448,507 B2 5/2013 Salmi et al.
 D687,047 S 7/2013 Hales et al.
 D687,057 S * 7/2013 Plitkins D14/488
 8,489,243 B2 7/2013 Fadell et al.
 D687,851 S 8/2013 Sloo et al.
 D689,505 S * 9/2013 Convay D14/485
 D700,075 S 2/2014 Bould et al.
 D708,274 S * 7/2014 Eder D21/673
 D709,913 S * 7/2014 Hurd D14/491
 D709,917 S * 7/2014 Faulkner D14/494
 D715,833 S * 10/2014 Rebstock D14/488
 D720,765 S * 1/2015 Xie D14/486
 D727,353 S * 4/2015 Yokota D14/488
 D735,754 S * 8/2015 Chaudhri D14/488
 D740,300 S * 10/2015 Lee D14/485
 D742,897 S * 11/2015 Matas D14/485
 D743,440 S * 11/2015 Bachman D14/492
 D748,644 S * 2/2016 Huang D14/485
 D748,746 S * 2/2016 Eder D21/694
 2002/0025888 A1 2/2002 Germanton et al.
 2003/0045406 A1 3/2003 Stone
 2004/0029688 A1 2/2004 Webber et al.
 2005/0272573 A1 12/2005 Carter
 2006/0105893 A1 5/2006 Chen
 2006/0205571 A1 9/2006 Krull
 2006/0217245 A1 9/2006 Golesh et al.
 2006/0240956 A1 10/2006 Piane
 2006/0256073 A1 * 11/2006 Satanek G06F 3/04895
 345/156
 2007/0033068 A1 2/2007 Rao et al.

2007/0072748 A1 3/2007 Lee
 2007/0136679 A1 * 6/2007 Yang H04N 5/44513
 715/772
 2007/0161472 A1 7/2007 Drechsler
 2007/0213185 A1 9/2007 Habing
 2007/0219059 A1 9/2007 Schwartz et al.
 2011/0118089 A1 5/2011 Ellis
 2012/0130546 A1 5/2012 Matas et al.
 2012/0131504 A1 * 5/2012 Fadell F24F 11/0086
 715/810
 2012/0293558 A1 * 11/2012 Dilts G09G 5/24
 345/676
 2014/0143678 A1 * 5/2014 Mistry G06F 3/017
 715/746
 2014/0160078 A1 * 6/2014 Seo G06F 3/017
 345/175
 2014/0380243 A1 * 12/2014 Furue G06F 3/0482
 715/835

OTHER PUBLICATIONS

“The 10 best gadgets from CES 2015,” [online], posted Jan. 9, 2015, retrieved Mar. 22, 2016, retrieved from <<http://www.pastemagazine.com/blogs/lists/2015/01/the-10-best-gadgets-from-ces-2015.html>>.*
 “The best fitness trackers,” [online], posted Feb. 19, 2016, retrieved Mar. 22, 2016, retrieved from <<http://thewirecutter.com/reviews/best-fitness-tracker/>>.*
 “Include fitness,” [online], posted Jul. 31, 2015, retrieved Mar. 22, 2016, retrieved from <<http://www.bizjournals.com/columbus/blog/2015/07/strength-trainer-for-disabled-inspired-by-long.html#g5>>.*
 “How to create a loading circle animation in Photoshop,” [online], posted Jan. 26, 2013, retrieved Mar. 22, 2016, retrieved from <<https://www.youtube.com/watch?v=3CvBCMofM8g>>.*
 “Clean master—limpe toda a sujeira de apps no Android,” [online], posted Mar. 19, 2013, retrieved Mar. 23, 2016, retrieved from <<http://escreveassim.com.br/2013/03/19/clean-master-android/>>.*
 “With \$1.6M, moves offer all-day tracking app,” [online], posted Apr. 29, 2013, retrieved Mar. 23, 2016, retrieved from <<http://mobihealthnews.com/21967/with-1-6m-moves-offers-all-day-tracking-app-313-314>>.*
 International Search Report and Written Opinion received for International Application No. PCT/US2015/031888, mailed Aug. 14, 2015, 14 pages.

* cited by examiner

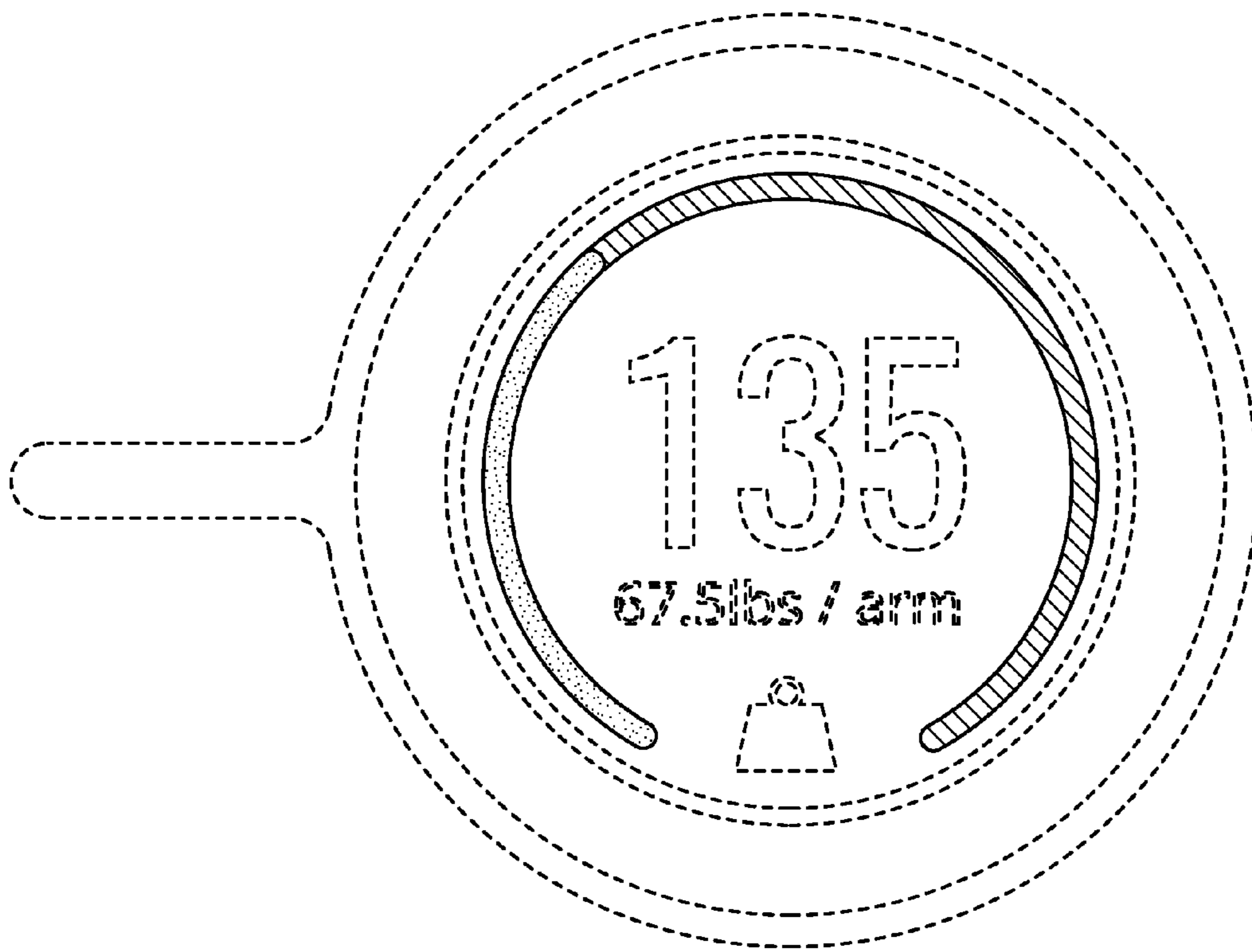


FIG. 1

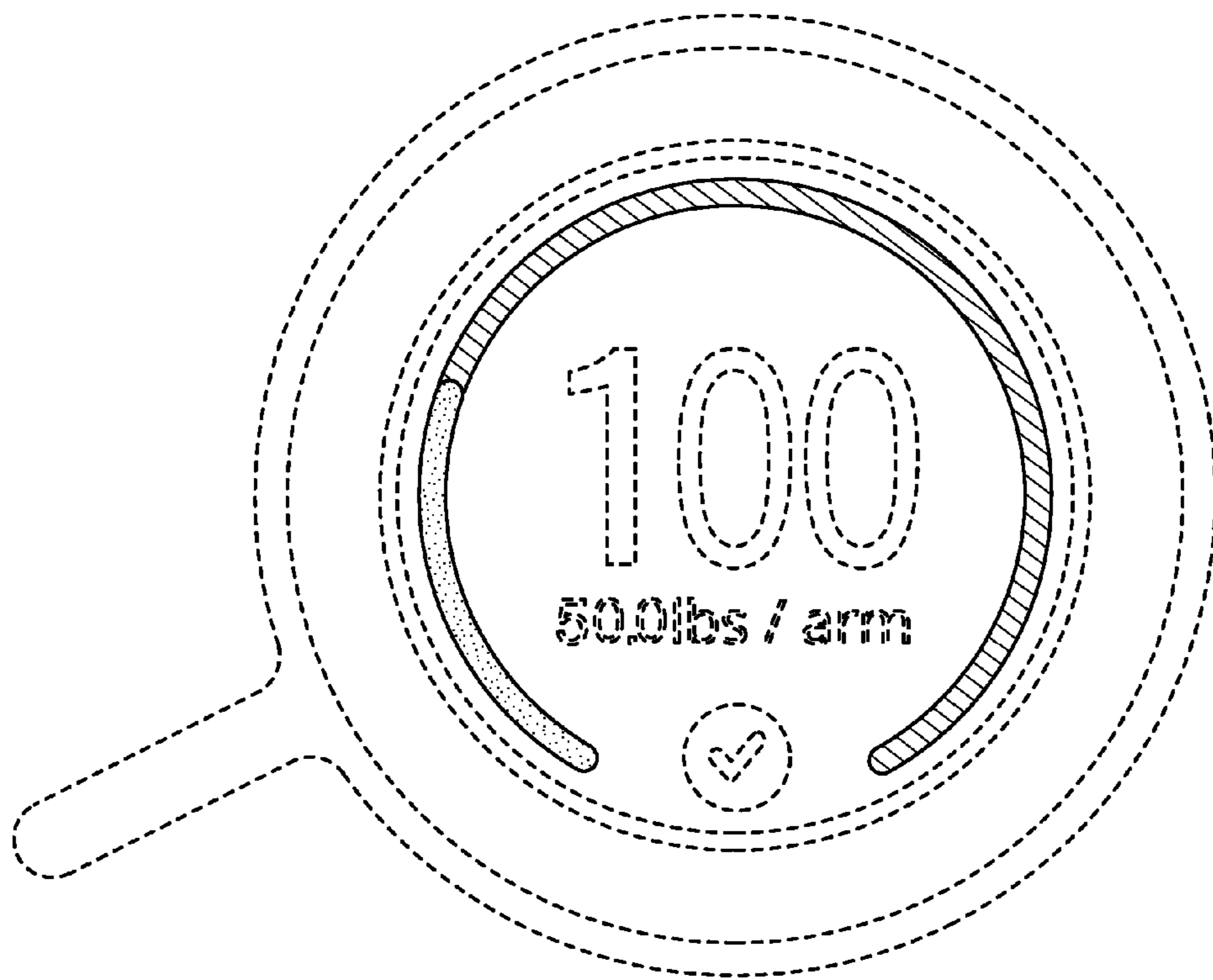


FIG. 2

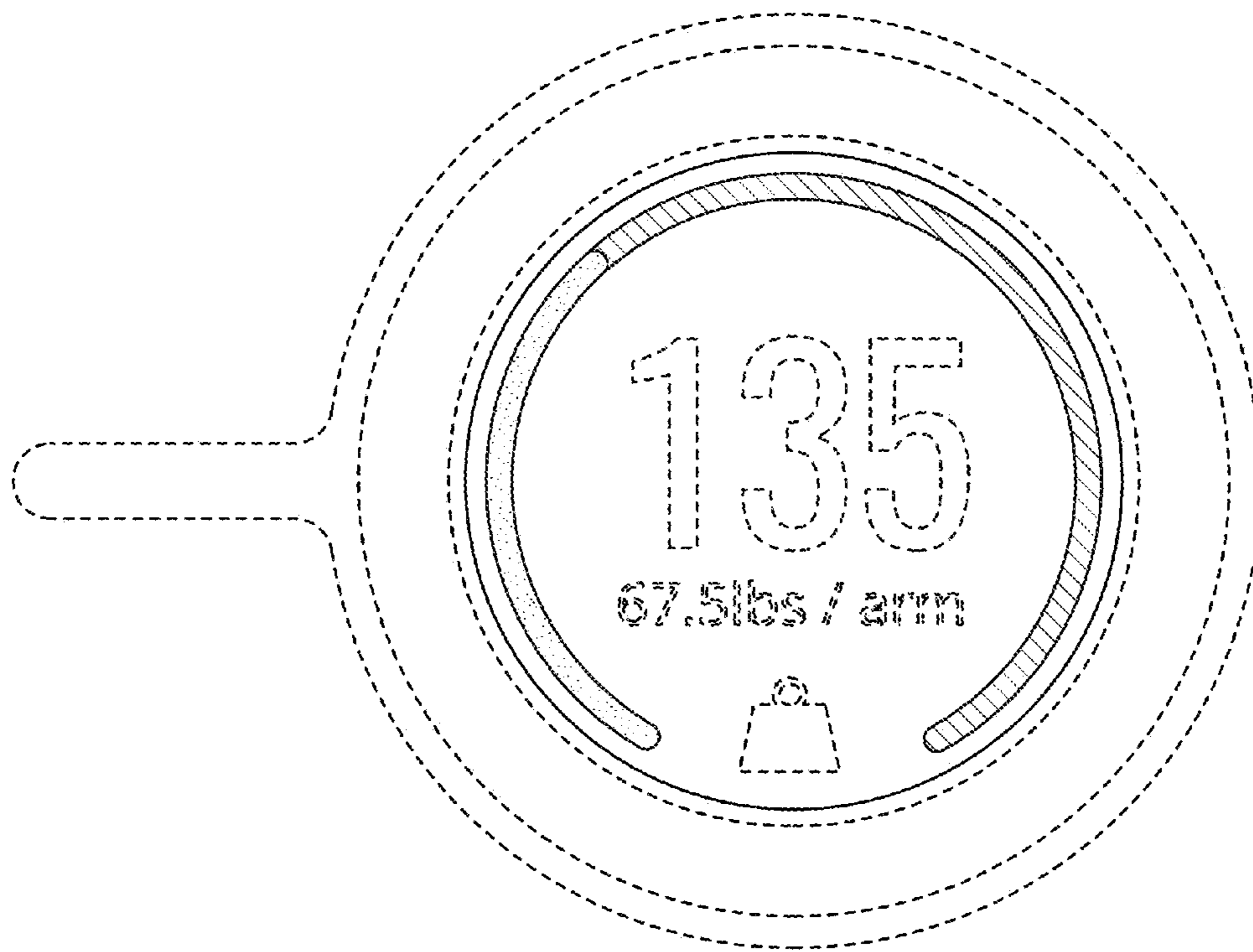


FIG. 3

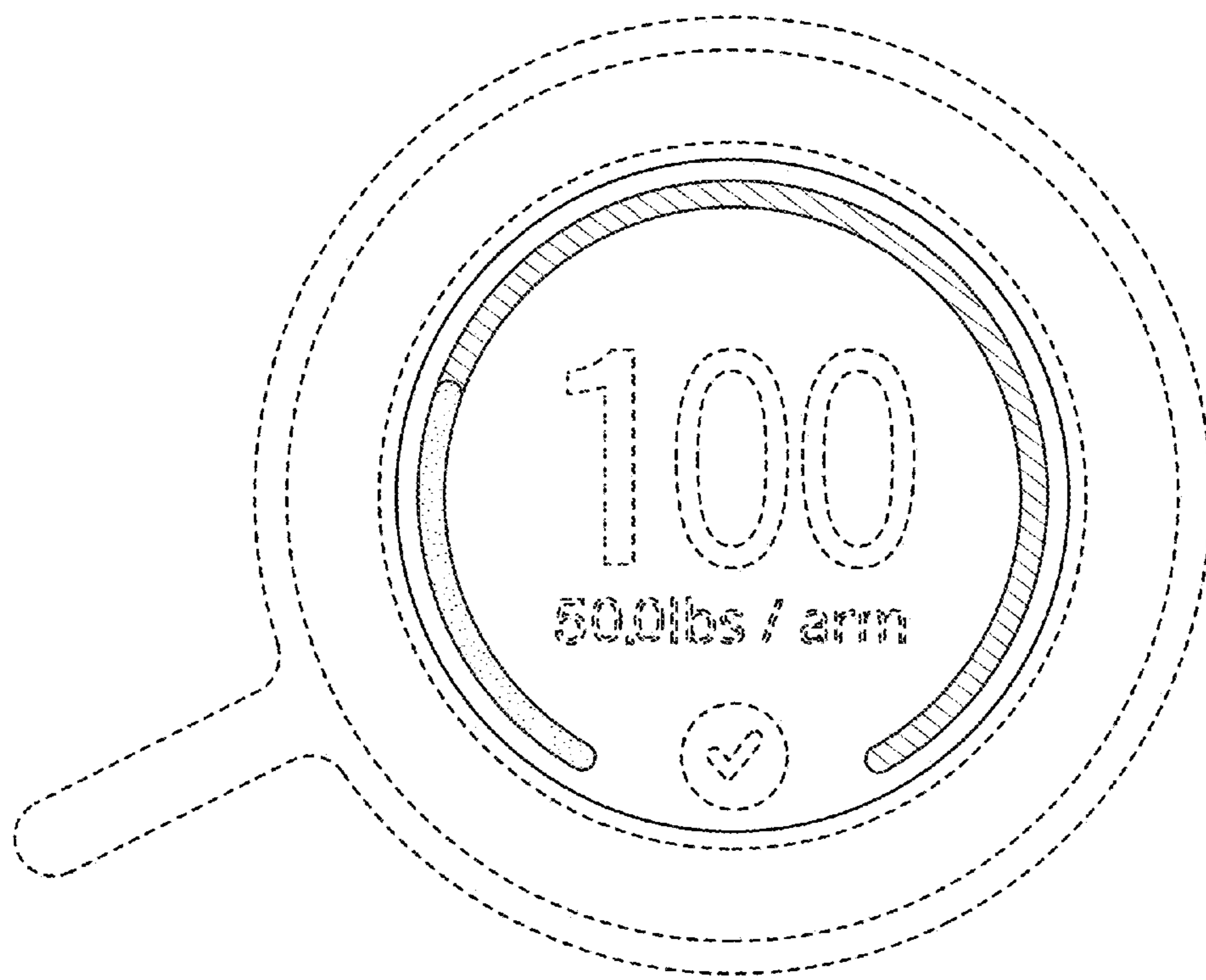


FIG. 4