



US00D761264S

(12) **United States Design Patent**
Terry

(10) **Patent No.:** **US D761,264 S**
(45) **Date of Patent:** **** Jul. 12, 2016**

- (54) **CAMERA PROTECTOR**
- (71) Applicant: **Bobby Terry**, Canton, MA (US)
- (72) Inventor: **Bobby Terry**, Canton, MA (US)
- (**) Term: **14 Years**
- (21) Appl. No.: **29/519,768**
- (22) Filed: **Mar. 6, 2015**
- (51) **LOC (10) Cl.** **14-02**
- (52) **U.S. Cl.**
USPC **D14/440**
- (58) **Field of Classification Search**
USPC D14/250, 440, 447; 206/45.23, 320,
206/45.2; 361/679.55; 294/25; 224/218
CPC ... G06F 1/1628; G06F 1/1613; G06F 1/1626;
A47B 23/044
See application file for complete search history.

5,855,343 A	1/1999	Krekelberg	
6,478,291 B1 *	11/2002	Courtney	H02G 11/00 267/136
7,677,815 B2	3/2010	Lane et al.	
7,880,132 B2	2/2011	Brodie et al.	
8,242,924 B2	8/2012	Huang et al.	
9,179,205 B2 *	11/2015	Chao	H04R 1/023
D748,613 S *	2/2016	Sasaki	D14/250
D749,557 S *	2/2016	Feng	D14/250
2011/0058255 A1	3/2011	Weiss	
2013/0020229 A1	1/2013	Wyner	
2014/0220269 A1	8/2014	Ogufere Ogufere	

FOREIGN PATENT DOCUMENTS

CN 203397262 U 1/2014

* cited by examiner

Primary Examiner — Cynthia Underwood

(57) **CLAIM**

The ornamental design for a camera protector, as shown and described.

(56) **References Cited**

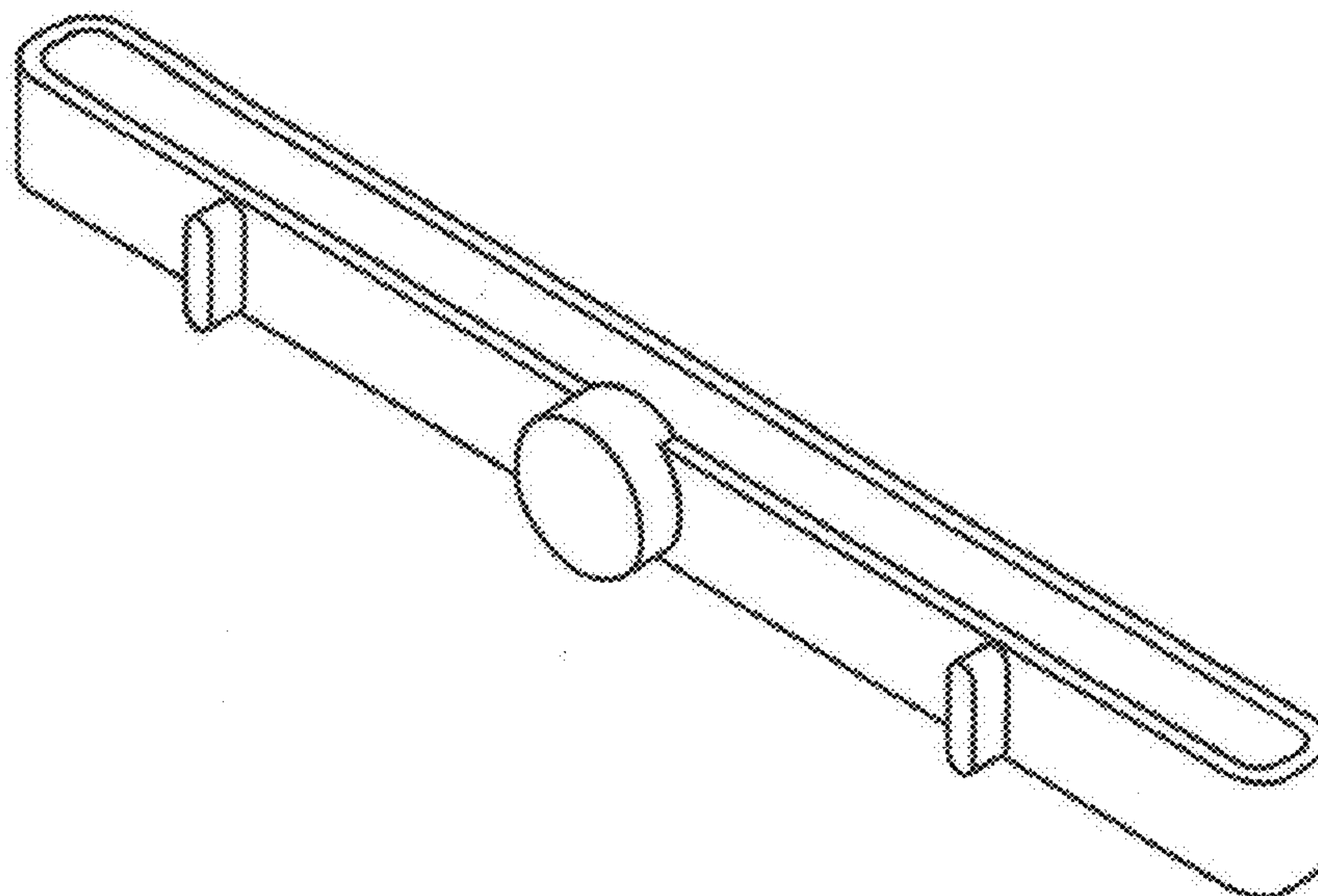
U.S. PATENT DOCUMENTS

2,958,810 A *	11/1960	Balf	G01R 11/04 200/51.1
3,712,271 A *	1/1973	Greathouse	A61N 5/06 119/770
3,832,498 A *	8/1974	Lawson	H04Q 1/142 174/88 R
4,223,177 A *	9/1980	Nakamura	H05K 5/0095 174/563
4,576,364 A *	3/1986	O'Fearn	E04H 15/003 256/23
4,700,981 A *	10/1987	Seyler	B21D 39/20 156/295
5,224,013 A *	6/1993	Pagliuca	H01T 4/06 337/32
5,568,006 A *	10/1996	Luff	H03H 9/1021 310/340

DESCRIPTION

FIG. 1 is a perspective view of the camera protector;
FIG. 2 is a top view of the camera protector shown in FIG. 1;
FIG. 3 is a front view of the camera protector shown in FIG. 1;
FIG. 4 is a back view of the camera protector shown in FIG. 1;
FIG. 5 is a bottom view of the camera protector shown in FIG. 1;
FIG. 6 is a right side view of the camera protector; and,
FIG. 7 is a left side view of the camera protector shown in FIG. 1.

1 Claim, 2 Drawing Sheets



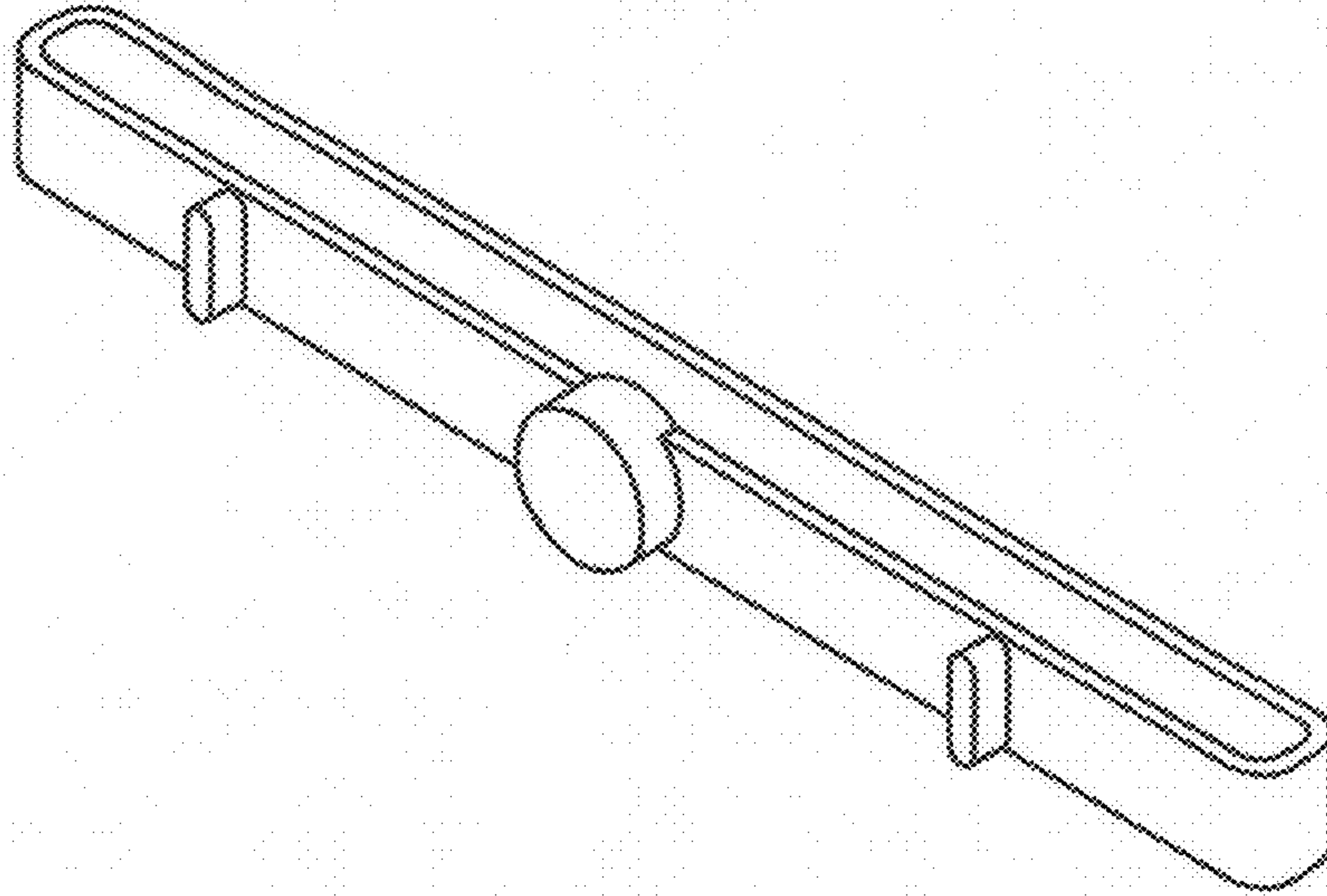


FIG. 1

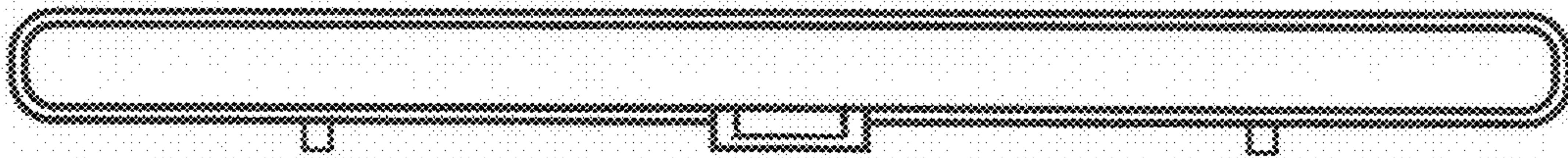


FIG. 2

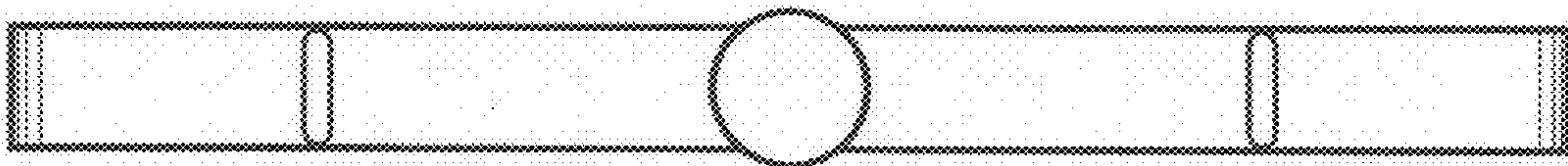


FIG. 3

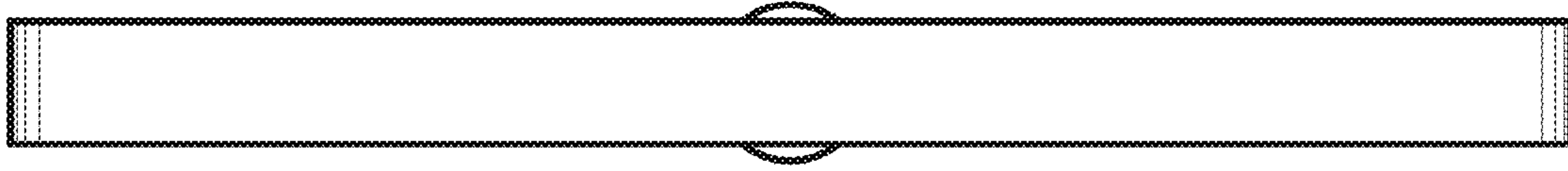


FIG. 4

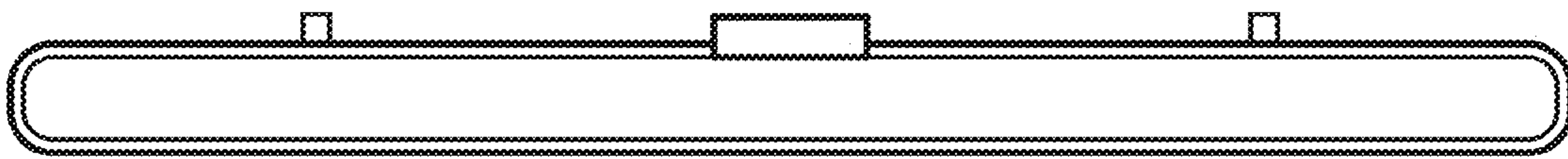


FIG. 5

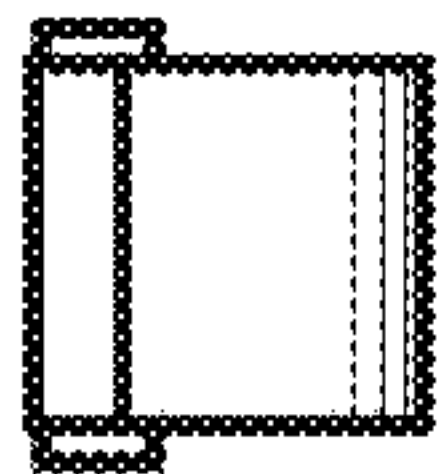


FIG. 6

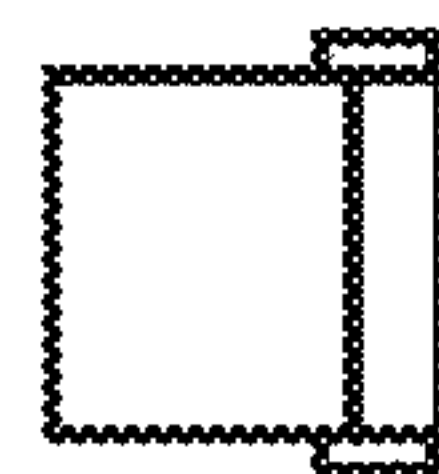


FIG. 7