



US00D761263S

(12) **United States Design Patent**
Brinkman et al.

(10) **Patent No.:** **US D761,263 S**
(45) **Date of Patent:** **** Jul. 12, 2016**

(54) **PROTECTIVE CASE FOR AN ELECTRONIC DEVICE**

(71) Applicant: **Thule Organization Solutions, Inc.**,
Niwot, CO (US)

(72) Inventors: **Ross Brinkman**, Chicago, IL (US);
Clifford Krapfl, Chicago, IL (US)

(73) Assignee: **Thule Organization Solutions, Inc.**,
Niwot, CO (US)

(**) Term: **14 Years**

(21) Appl. No.: **29/501,621**

(22) Filed: **Sep. 5, 2014**

(51) **LOC (10) Cl.** **14-02**

(52) **U.S. Cl.**
USPC **D14/440**

(58) **Field of Classification Search**
USPC D3/218, 215, 201, 294, 289, 900, 318;
D14/432, 440, 454, 402, 250;
428/40.1; 200/302.1
CPC ... G06F 1/1601; G06F 1/1626; G06F 1/1633;
G06F 1/1675; G06F 1/1679; G02F 1/1306;
G02F 1/133; G02F 1/133308; G02F 1/153;
G02F 1/1533; G02F 2001/133317; H04M
1/185; H04M 1/0252; H04B 1/3888; A45C
1/06; A45C 3/08

See application file for complete search history.

(56) **References Cited**

U.S. PATENT DOCUMENTS

D662,925 S * 7/2012 Mayberry D14/250
D681,622 S * 5/2013 Melanson D14/250
D685,357 S * 7/2013 Rekuc D14/250
D696,257 S * 12/2013 Ward D14/440
D706,256 S * 6/2014 Ward D14/250

D709,510 S * 7/2014 Soare D14/440
D714,295 S * 9/2014 Fujioka D14/440
D718,294 S * 11/2014 Barfoot D14/250
D718,756 S * 12/2014 Barfoot D14/250
D721,370 S * 1/2015 Barfoot D14/400
D729,255 S * 5/2015 Kilkenny D14/440
D731,494 S * 6/2015 Barfoot D14/440
2012/0261289 A1* 10/2012 Wyner A45C 11/00
206/320
2012/0321294 A1* 12/2012 Tages G03B 17/02
396/535
2014/0215878 A1* 8/2014 Fitzpatrick F41A 9/62
42/50

* cited by examiner

Primary Examiner — Cynthia Underwood

(74) *Attorney, Agent, or Firm* — Sheridan Ross P.C.

(57) **CLAIM**

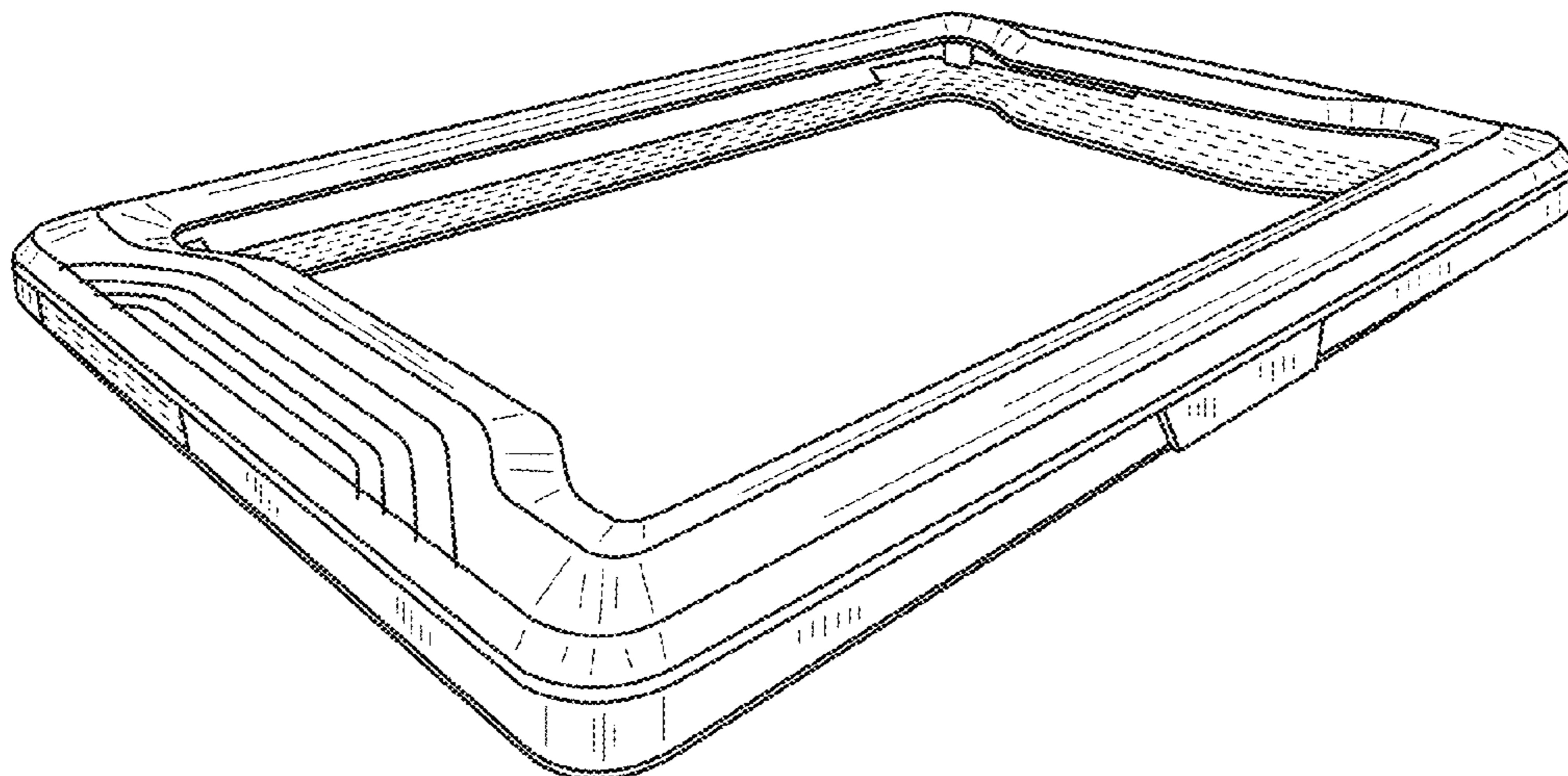
The ornamental design for a protective case for an electronic device, as shown and described.

DESCRIPTION

FIG. 1 is a front perspective view of the protective case for an electronic device;
FIG. 2 is a front elevation view thereof;
FIG. 3 is a rear elevation view thereof;
FIG. 4 is a right elevation view thereof;
FIG. 5 is a left elevation view thereof;
FIG. 6 is a top plan view thereof;
FIG. 7 is a bottom plan view thereof; and,
FIG. 8 is a front perspective view of the protective case with an electronic device inserted therein, the electronic device provided for illustrative purposes only and forms no part of the claimed design.

The broken lines showing a protective case for an electronic device are included for the purpose of illustrating environment and form no part of the claimed design.

1 Claim, 6 Drawing Sheets



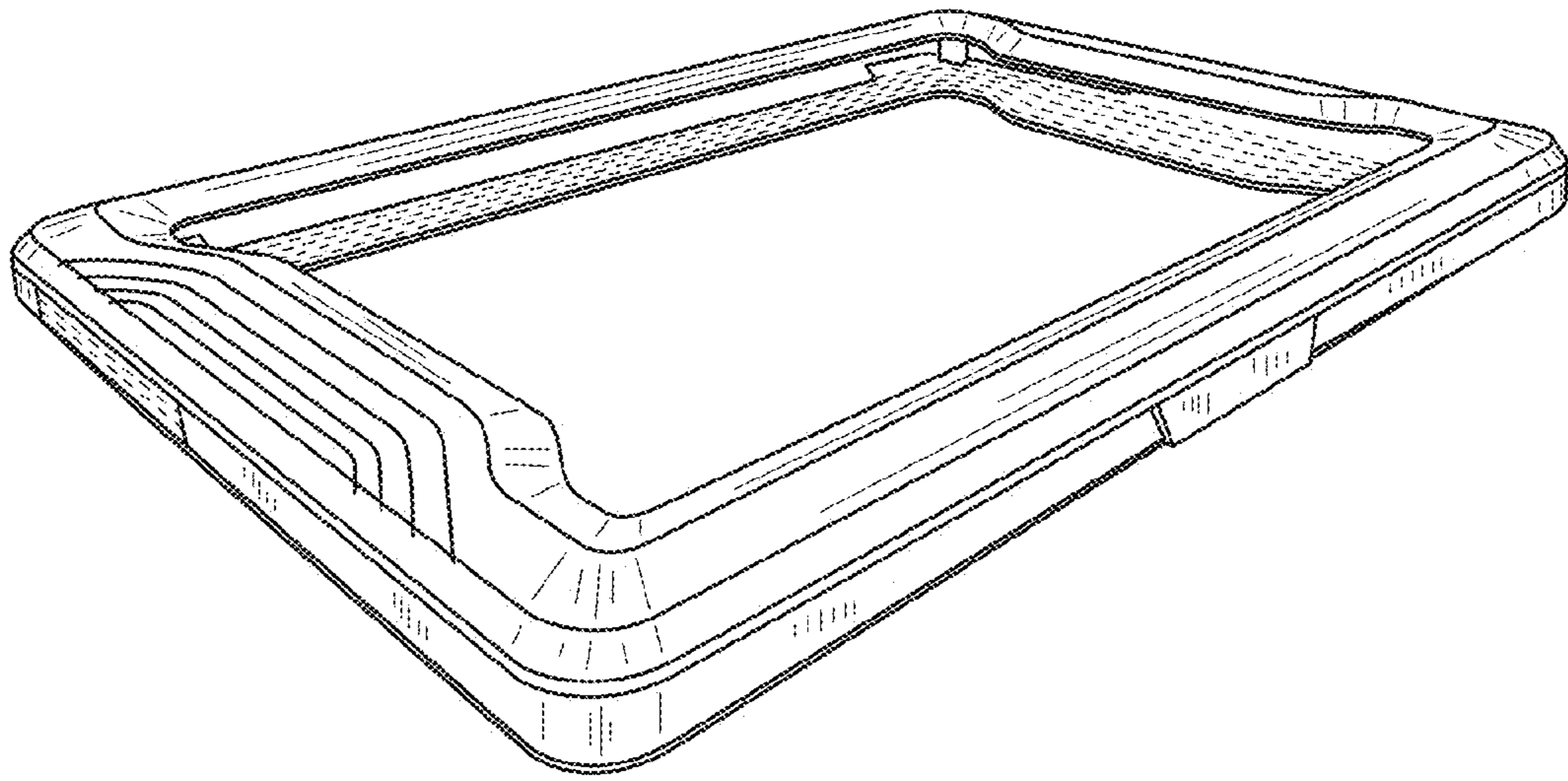


FIG.1

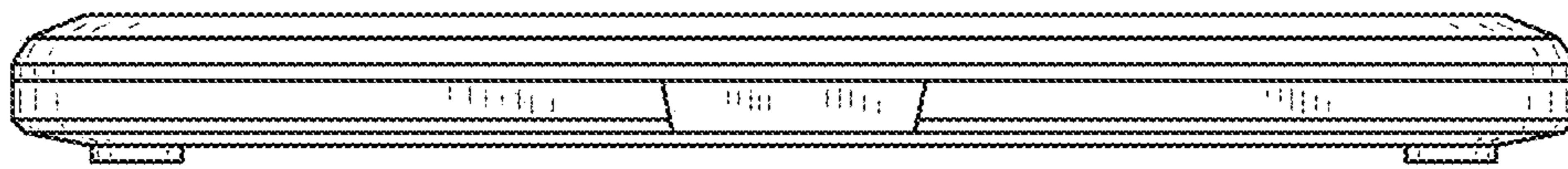


FIG. 2

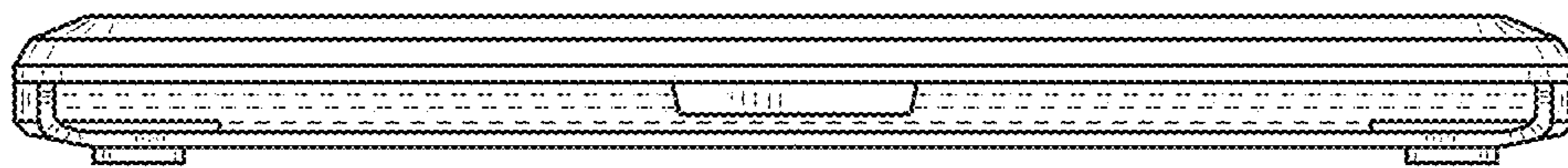


FIG. 3



FIG.4

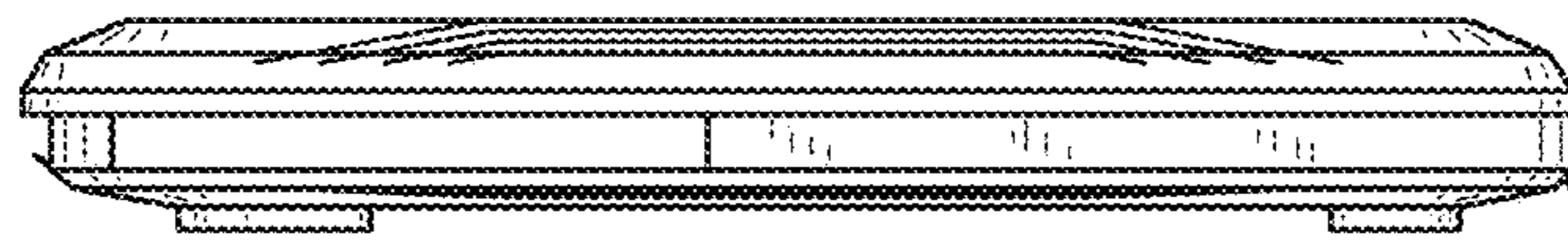


FIG.5

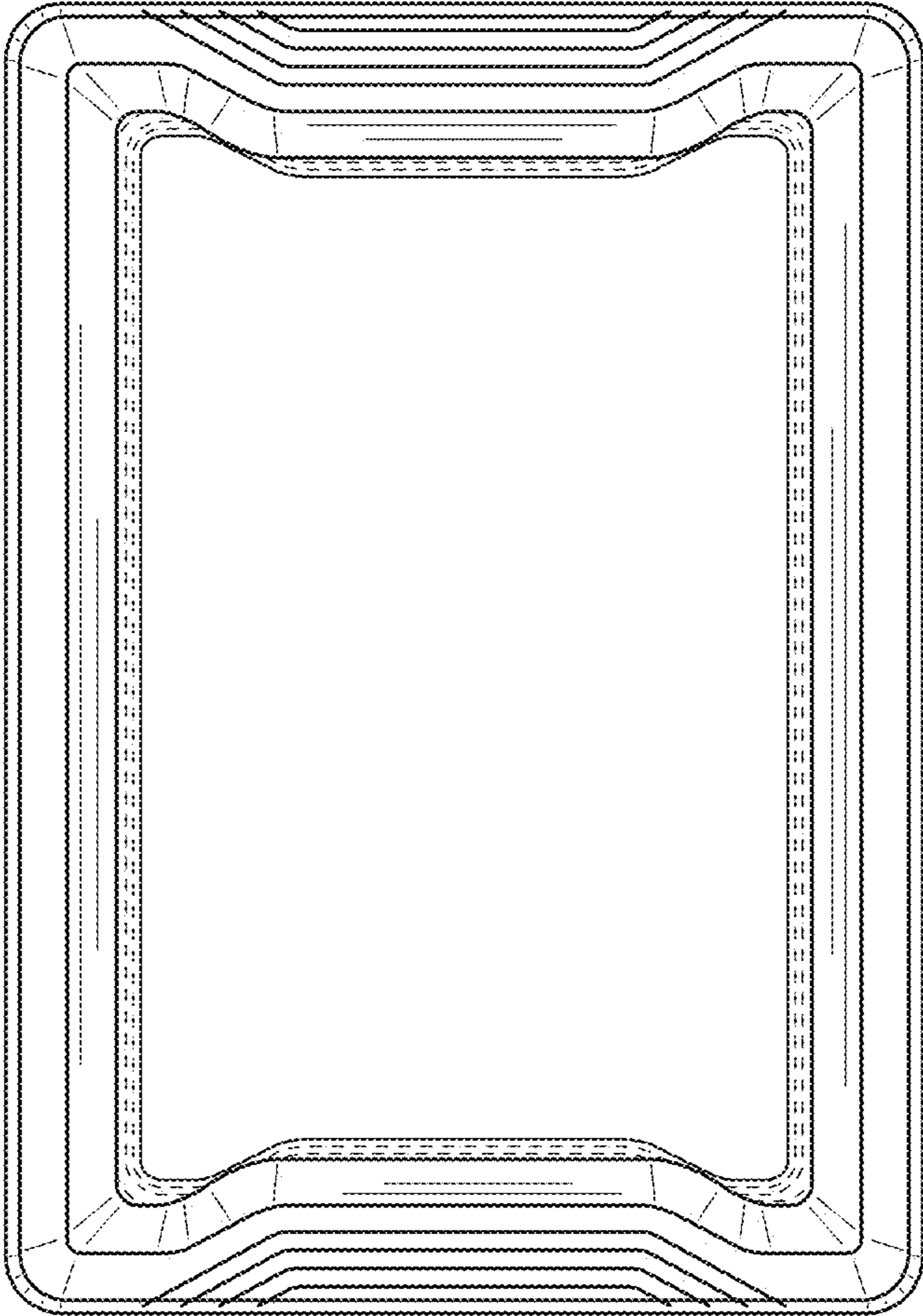


FIG.6

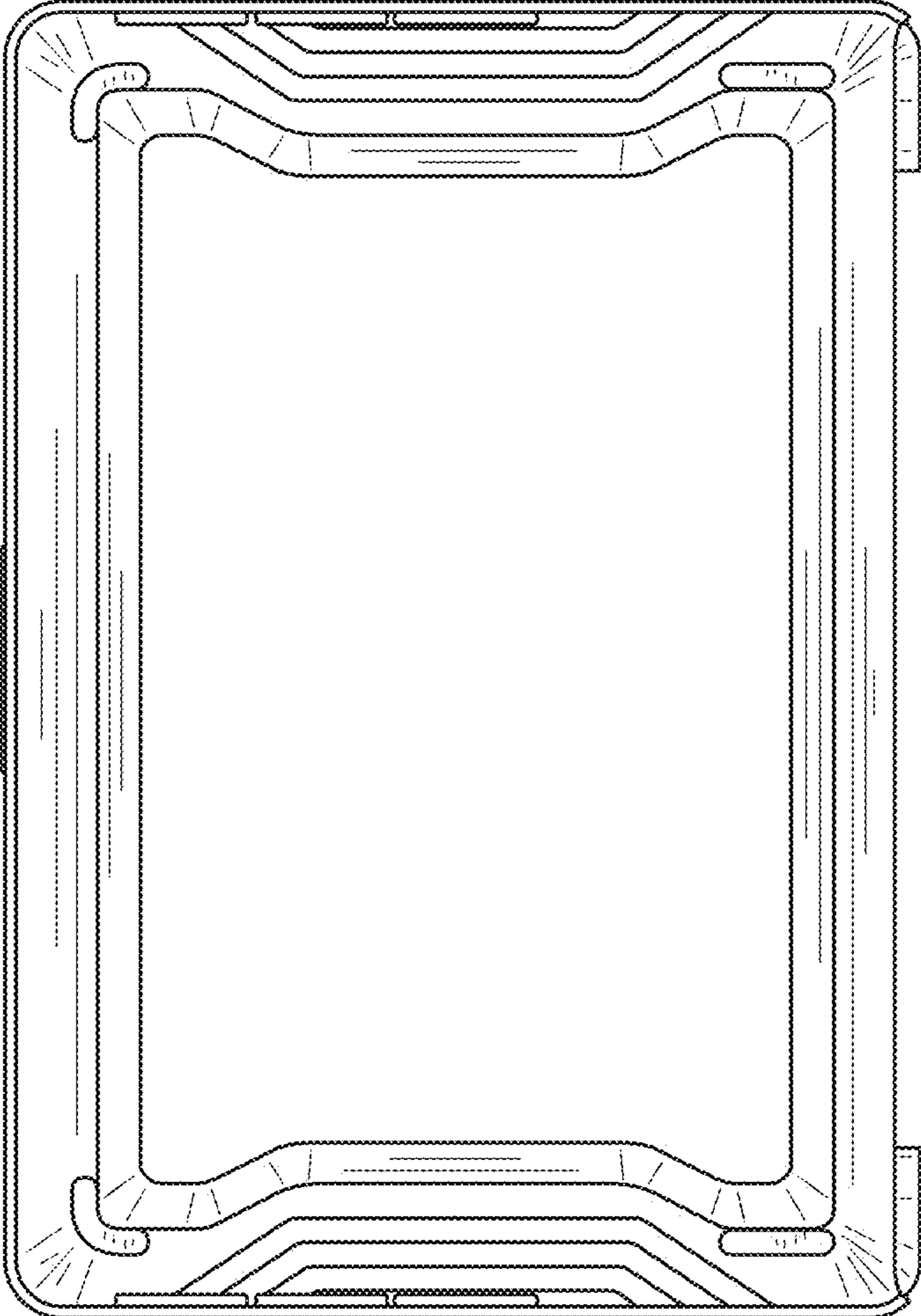


FIG.7

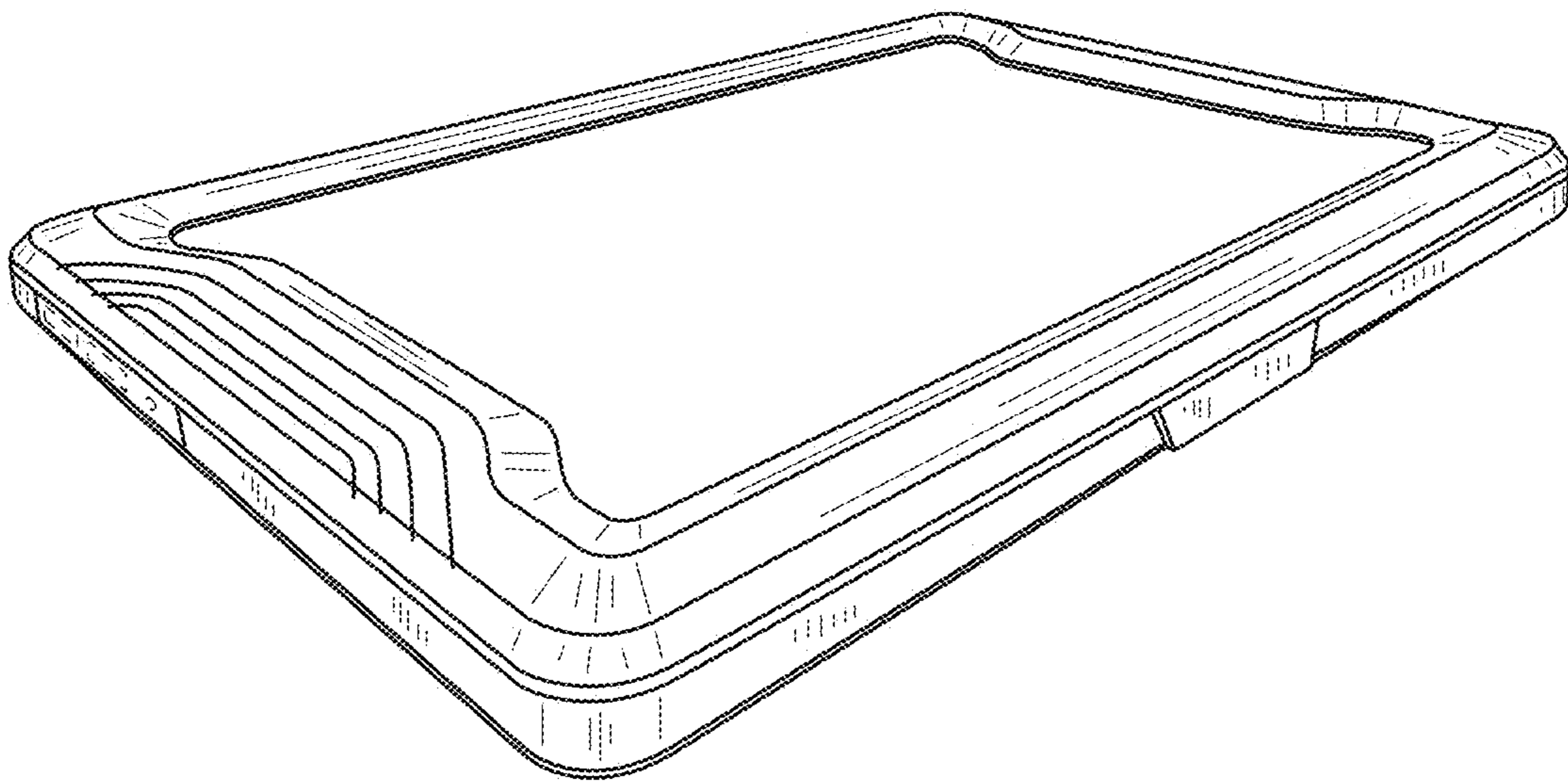


FIG.8