

US00D761262S

(12) **United States Design Patent**
Solomon et al.

(10) **Patent No.:** **US D761,262 S**
(45) **Date of Patent:** **** Jul. 12, 2016**

(54) **CABLE**

(71) Applicant: **Pebble Technology, Corp.**, Redwood City, CA (US)
(72) Inventors: **Mark Charles Solomon**, San Jose, CA (US); **Christopher Paul Ioffreda**, San Francisco, CA (US); **Andrew James Witte**, Palo Alto, CA (US); **Giovanni Mata Magana**, East Palo Alto, CA (US); **Sean Eugene Daley**, San Jose, CA (US); **Nicholas Harold Ford**, Kitchener (CA); **Troy Garrett Tye**, San Jose, CA (US)
(73) Assignee: **Pebble Technology, Corp.**, Redwood City, CA (US)

(**) Term: **15 Years**

(21) Appl. No.: **29/548,335**

(22) Filed: **Dec. 11, 2015**

Related U.S. Application Data

(63) Continuation of application No. 29/533,833, filed on Jul. 22, 2015, now Pat. No. Des. 746,291.

(51) **LOC (10) Cl.** **14-02**

(52) **U.S. Cl.**
USPC **D14/433**

(58) **Field of Classification Search**
USPC D14/356, 432-434, 453, 454, 511, D14/203.8, 209.1, 238.1, 240, 125; 439/638, 928, 105, 502; 710/303, 304; 361/679.41, 679.55, 679.56; D13/110, D13/133, 146

CPC H01R 24/64; H01R 24/62; H01R 12/714; H01R 13/506; H01R 13/6658

See application file for complete search history.

(56) **References Cited**

U.S. PATENT DOCUMENTS

D298,121 S	10/1988	Furuhashi
D381,629 S	7/1997	Goto
D416,233 S	11/1999	Tsai
D416,542 S	11/1999	Tsai
D416,543 S	11/1999	Tsai
D416,868 S	11/1999	Tsai
D416,869 S	11/1999	Tsai
D447,734 S	9/2001	Nakashima et al.
D447,735 S	9/2001	Nakashima et al.
D447,736 S	9/2001	Nakashima et al.
D448,734 S	10/2001	Nakashima et al.
D449,582 S	10/2001	Nakashima et al.
D450,041 S	11/2001	Nakashima et al.
D454,542 S	3/2002	Nakashima et al.

(Continued)

OTHER PUBLICATIONS

U.S. Appl. No. 29/533,833, filed Jul. 22, 2015, Solomon.

Primary Examiner — Austin Murphy

(74) *Attorney, Agent, or Firm* — Rutan & Tucker, LLP

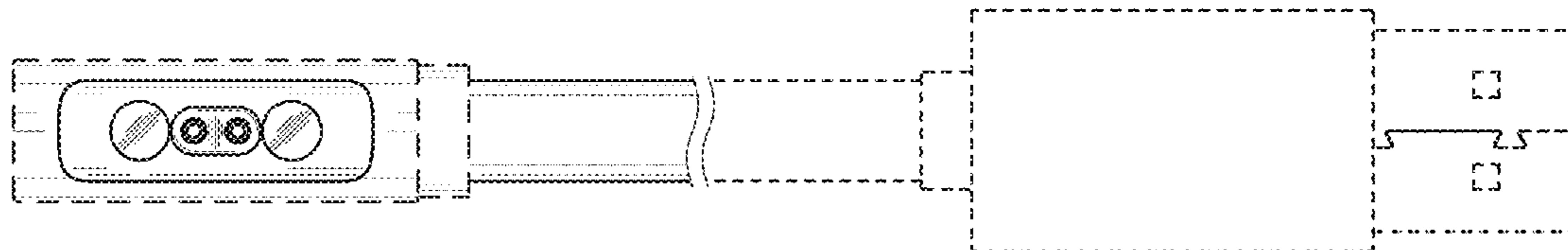
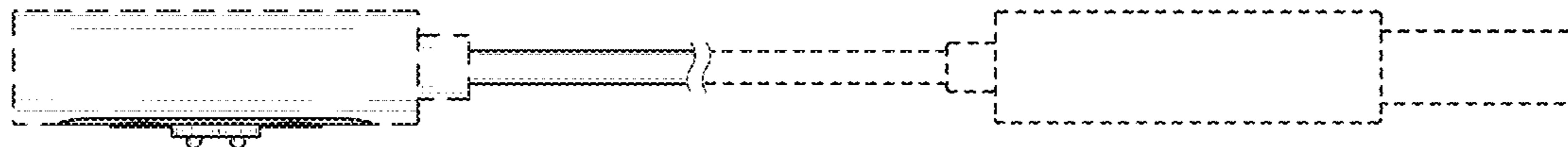
(57) **CLAIM**

The ornamental design for a cable, as shown and described.

DESCRIPTION

FIG. 1 is an elevational view of a left side of a cable according to our new design;
FIG. 2 is an elevational view of a front side of the cable;
FIG. 3 is an elevational view of a back side of the cable;
FIG. 4 is an elevational view of a right side of the cable;
FIG. 5 is an end view of one end of the cable; and,
FIG. 6 is an end view of an opposite end of the cable.
The broken lines showing in FIGS. 1 through 6 are for illustrative purposes only and form no part of the claimed design.

1 Claim, 2 Drawing Sheets



(56)

References Cited

U.S. PATENT DOCUMENTS

D454,841 S 3/2002 Nakashima et al.
 D513,605 S 1/2006 Lin
 D518,791 S 4/2006 Kiely
 D525,199 S 7/2006 Lin
 D548,700 S 8/2007 Ledbetter et al.
 D552,604 S 10/2007 Andre et al.
 D553,089 S 10/2007 Victor
 D555,105 S 11/2007 Victor
 7,311,526 B2 12/2007 Rohrbach et al.
 D559,183 S 1/2008 Victor
 D564,971 S 3/2008 Victor
 D576,105 S 9/2008 Victor
 D577,673 S * 9/2008 Amidon D13/133
 D586,752 S 2/2009 Diamond et al.
 D586,753 S 2/2009 Diamond et al.
 D599,800 S 9/2009 Klein et al.
 D600,652 S 9/2009 Hong et al.
 D604,725 S 11/2009 Chen
 D619,963 S 7/2010 Hou
 D623,144 S 9/2010 Amidon
 D623,146 S 9/2010 Amidon et al.
 D636,337 S 4/2011 Smith et al.
 D648,726 S 11/2011 Behar et al.
 D676,389 S 2/2013 Worth et al.

D680,076 S 4/2013 McManigal
 D680,539 S 4/2013 Kim
 D682,835 S 5/2013 Daniel
 D684,976 S 6/2013 Akana et al.
 D692,390 S 10/2013 Smith et al.
 D694,243 S 11/2013 Akana et al.
 D699,188 S * 2/2014 Akana D13/147
 D705,174 S 5/2014 Wong
 D705,175 S 5/2014 Chu
 D706,248 S 6/2014 Myung et al.
 D707,180 S * 6/2014 Yi D13/147
 D716,235 S * 10/2014 Tien D13/147
 D727,907 S * 4/2015 Higashi D14/433
 D730,903 S 6/2015 Langhammer et al.
 D731,434 S * 6/2015 Akana D13/147
 D731,488 S 6/2015 Lee
 D731,489 S 6/2015 Langhammer et al.
 D732,035 S 6/2015 Akana et al.
 D733,142 S 6/2015 Solomon et al.
 D734,272 S 7/2015 Dang et al.
 D736,704 S 8/2015 Liu
 D743,965 S * 11/2015 Laffon de Mazieres D13/154
 D744,428 S * 12/2015 Rodriguez D13/147
 D745,523 S * 12/2015 Magi D14/433
 D745,851 S * 12/2015 Beck D13/153
 D746,291 S * 12/2015 Solomon D14/433

* cited by examiner

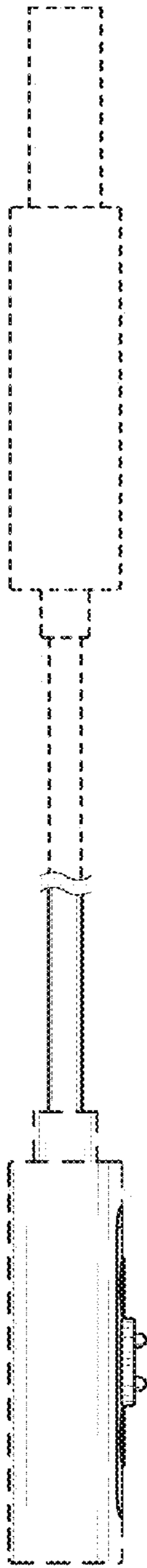


FIG. 1

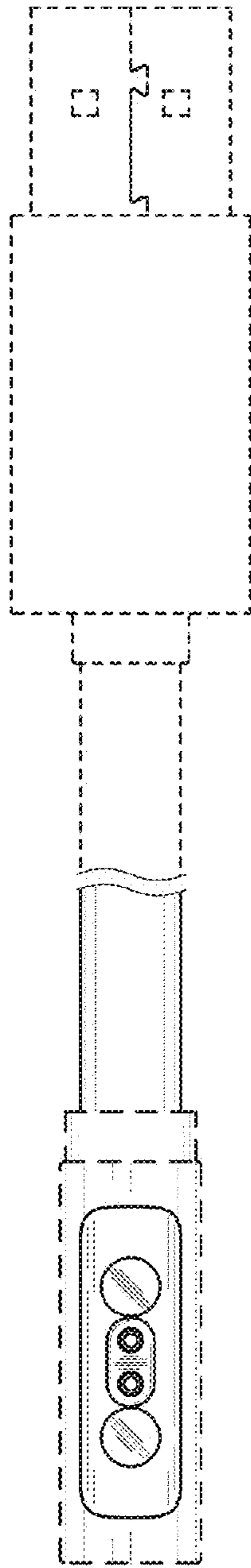


FIG. 2

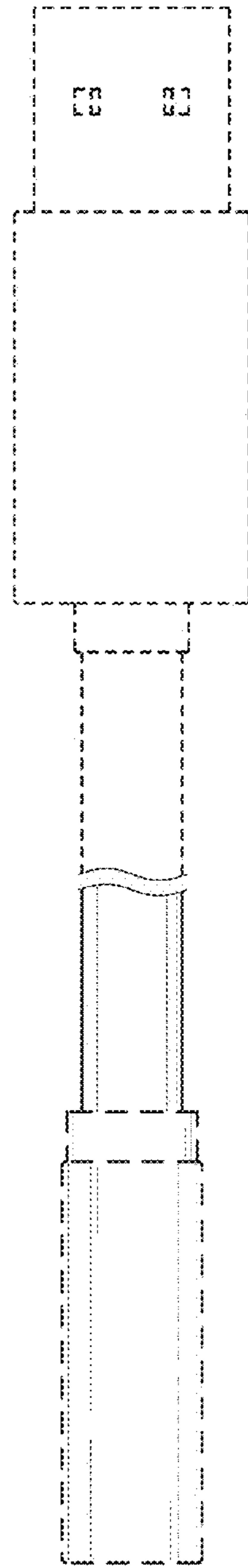


FIG. 3

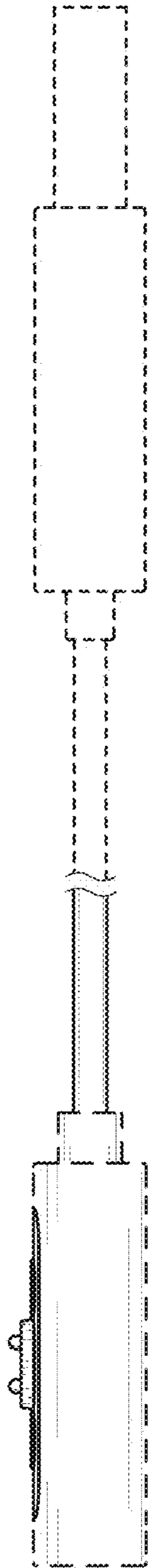


FIG. 4

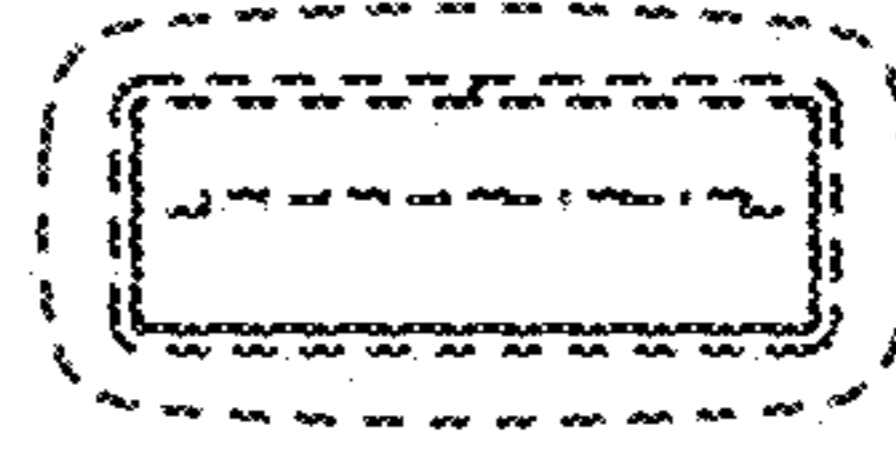


FIG. 6

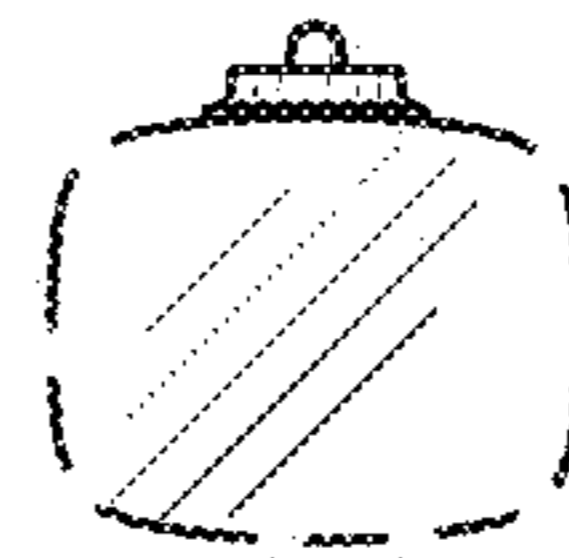


FIG. 5