



US00D761261S

(12) **United States Design Patent**
Chen

(10) **Patent No.:** **US D761,261 S**
(45) **Date of Patent:** **** Jul. 12, 2016**

(54) **HANDHELD SCANNER**

(71) Applicant: **TECO IMAGE SYSTEMS CO., LTD.**,
Taipei (TW)

(72) Inventor: **Ko-Meng Chen**, Taipei (TW)

(73) Assignee: **TECO IMAGE SYSTEMS CO., LTD.**,
Taipei (TW)

(**) Term: **15 Years**

(21) Appl. No.: **29/529,607**

(22) Filed: **Jun. 9, 2015**

(51) **LOC (10) Cl.** **14-02**

(52) **U.S. Cl.**
USPC **D14/426**; D14/420; D14/453

(58) **Field of Classification Search**

USPC D14/420, 426-428, 447, 453, 385, 363,
D14/358, 240, 356, 362, 365, 370, 383, 388,
D14/432, 433, 435, 439, 442, 443, 250, 251,
D14/252, 253, 255, 256, 299; D18/4.6,
D18/36-56; D13/158, 162, 171, 147, 164;
235/440, 462.13, 439, 492, 380, 375,
235/486, 382, 451, 487, 381, 441,
235/472.01-472.03, 462.45, 462.47,
235/462.43, 385, 462.36, 462.01, 435, 454,
235/462, 455, 470, 43, 482, 483;
340/572.7, 573.3, 572.8, 572.1, 572.4,
340/10.1, 5.86; 455/41.1, 575.1, 556.1;
700/225; 710/2, 301, 64; 336/221, 232;
439/159; 361/752, 679.31, 679.32,
361/679.38, 679.45, 800; 358/473, 483,
358/474, 482; 379/436, 438; 312/223.1;
347/86, 49; 348/46, 333.1, 340, 345,
348/374, E5.024, E5.042, 335, E5.028
CPC G06K 7/10653; G06K 7/1098; G06K
7/10633; G06K 7/10831; G06K 7/10881;
G06K 7/10584; G06K 7/10613; G06K
7/10871; G06K 7/109; G06K 7/10693;
G06K 7/1096; G06K 7/10564; G06K 7/10603;
G06K 7/10663; G06K 7/10673; G06K
7/10702; G06K 7/10792; G06K 7/10891;
G06K 7/14; G06K 7/1443; G06K 7/10801;
G06K 7/10851; G06K 7/10861; G06K
2207/1013; G06K 2207/1016; G06K
2207/1011; G06K 2207/1012; G06K

2207/1017; G06K 2207/1018; G06K
2207/10534; G06K 2007/10485; G02B 26/10;
G02B 26/105; G02B 26/106; B41J 2/17559;
B41J 2/17513; B41J 2/17523; B41J 2/17553;
B41J 2/17566; B41J 2/1752; B41J 2/17593;
B41J 2/1755; B41F 33/0081; A47F 9/046;
A47F 9/047; G07G 1/0045; G04N 5/23238;
G04N 5/2252; G04N 5/2251; G03B 17/02;
B25H 5/00; B66F 7/28; G07F 11/002; G07F
11/02; G06Q 20/343; G06F 2203/0331;
H04N 5/23293; H04N 5/2254; H04N 5/33;
H04N 5/2253; H04N 13/0203; H04N 1/00204;
H04N 1/107; H04N 2201/007; H04N
2201/0051; H04M 1/0283; H04M 2250/52
See application file for complete search history.

(56) **References Cited**

U.S. PATENT DOCUMENTS

5,227,614 A * 7/1993 Danielson G06F 1/1632
235/380

(Continued)

Primary Examiner — Susan Moon Lee

(74) Attorney, Agent, or Firm — Kirton McConkie; Evan R.

Witt

(57)

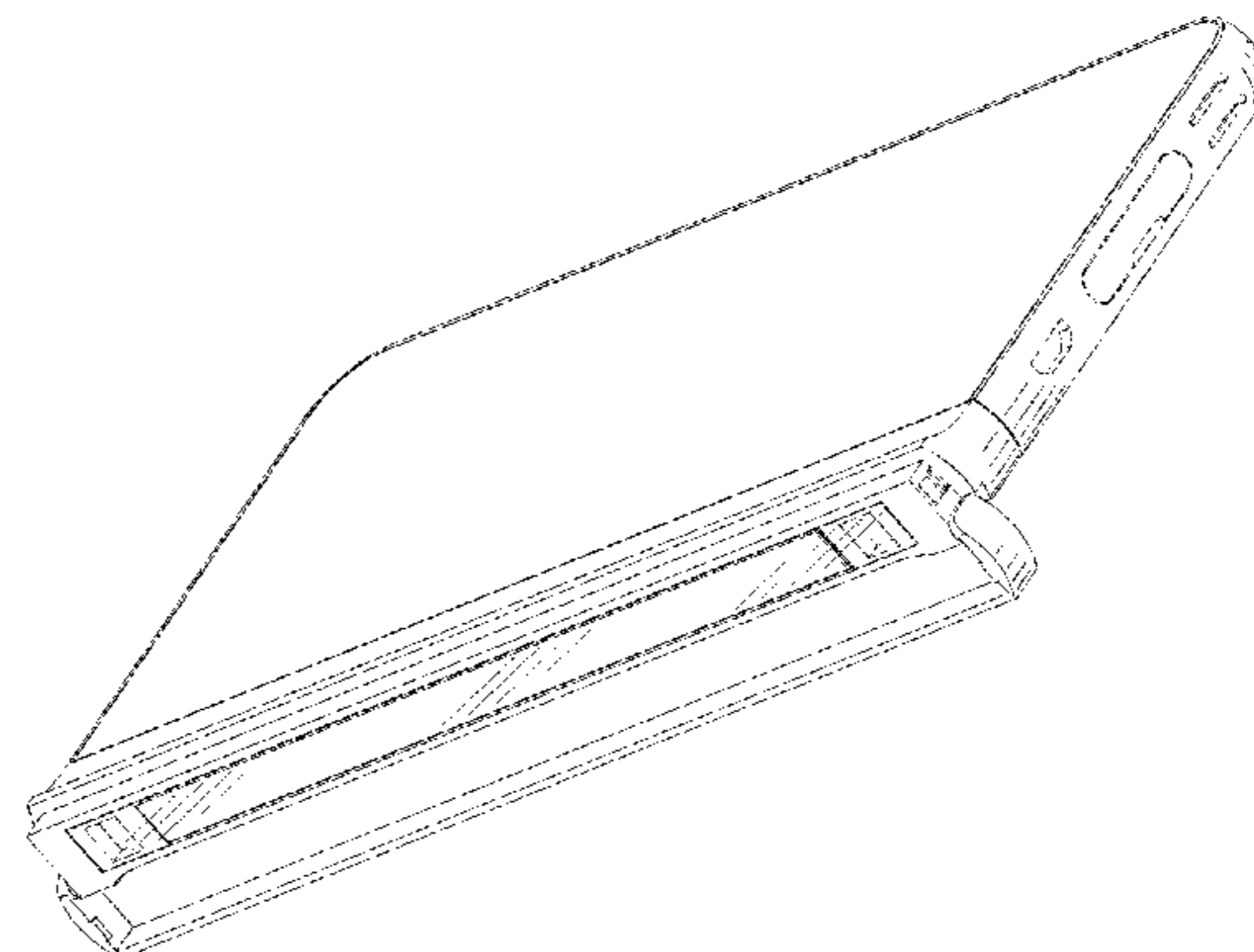
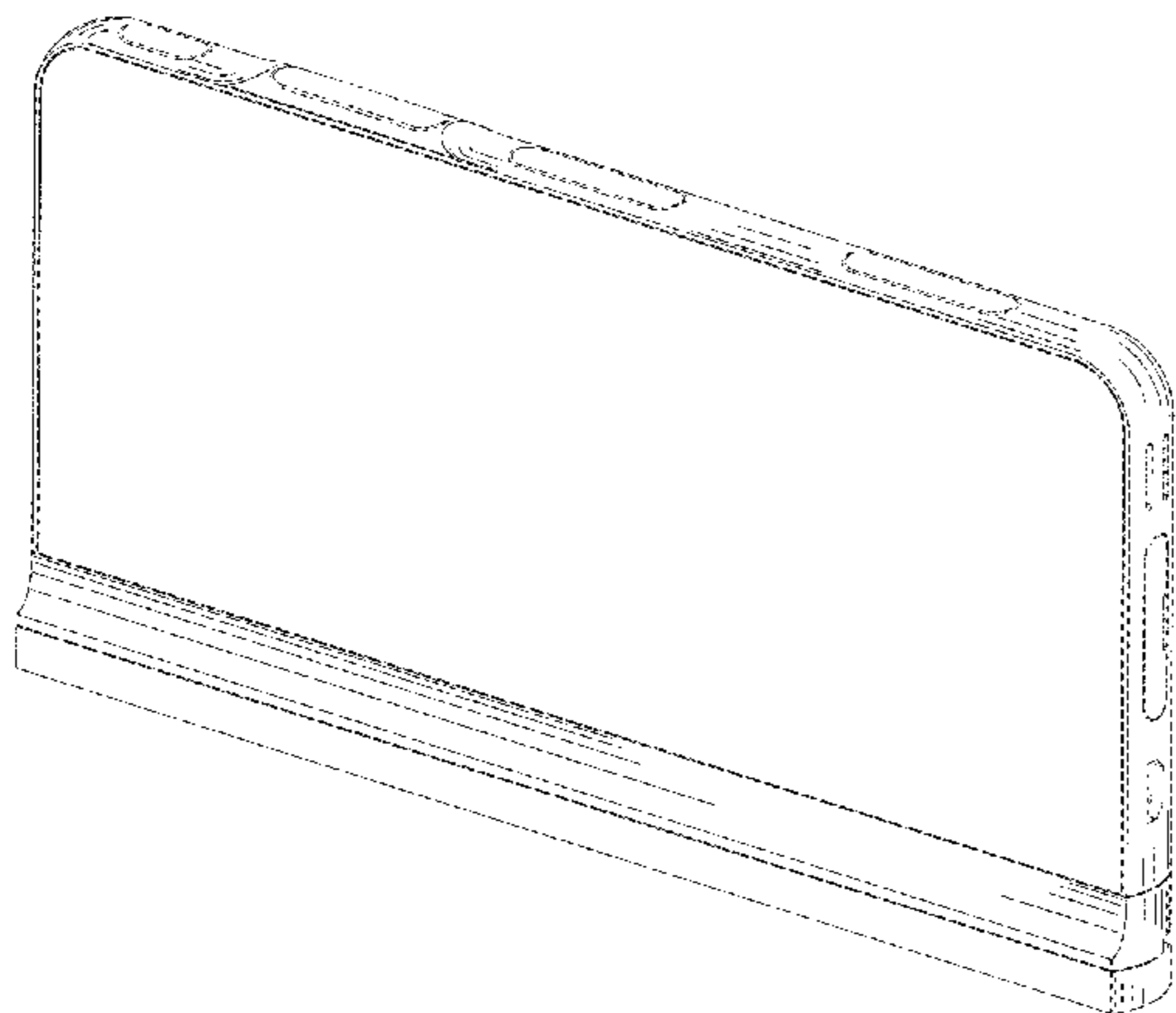
CLAIM

The ornamental design for a handheld scanner, as shown and described.

DESCRIPTION

FIG. 1 is a perspective view of a handheld scanner showing my new design;
FIG. 2 is a perspective view of the handheld scanner of FIG. 1, in which the bottom cover is shown in an open position;
FIG. 3 is a front view of the handheld scanner;
FIG. 4 is a rear view thereof;
FIG. 5 is a left side view thereof;
FIG. 6 is a right side view thereof;
FIG. 7 is a top plan view thereof; and,
FIG. 8 is a bottom plan view thereof.
Broken lines and unshaded portions contained within broken lines depict portions of the handheld scanner that form no part of the claimed design.
The oblique shade lines on the bottom portion of the handheld scanner shown in FIG. 2 indicate transparency and not surface ornamentation.

1 Claim, 8 Drawing Sheets



(56)

References Cited

U.S. PATENT DOCUMENTS

5,326,066	A *	7/1994	Tischer	G02B 26/10 248/451	2011/0253569	A1 *	10/2011	Lord	B65D 25/20 206/320
5,392,447	A *	2/1995	Schlack	G06F 15/0225 379/355.03	2012/0018323	A1 *	1/2012	Johnson	H04B 1/3888 206/320
5,666,159	A *	9/1997	Parulski	G06F 1/1626 348/211.2	2012/0018325	A1 *	1/2012	Kim	A45C 11/00 206/320
5,995,077	A *	11/1999	Wilcox	G06F 19/323 128/920	2012/0056789	A1 *	3/2012	Sohn	H01Q 1/242 343/702
6,023,871	A *	2/2000	Horowitz	G09F 3/20 40/642.01	2012/0074005	A1 *	3/2012	Johnson	H04B 1/3888 206/320
6,064,779	A *	5/2000	Neukermans	H04N 1/00689 358/412	2012/0118772	A1 *	5/2012	Ellis-Brown	G06F 1/1628 206/320
6,239,863	B1 *	5/2001	Catey	G03F 1/62 353/23	2012/0118773	A1 *	5/2012	Rayner	G06F 1/1626 206/320
6,693,619	B1 *	2/2004	Miura	G09G 3/342 345/102	2012/0157160	A1 *	6/2012	Ozcan	G01N 21/6458 455/556.1
6,842,652	B2 *	1/2005	Yeung	H04N 1/00236 250/201.2	2012/0168336	A1 *	7/2012	Schmidt	H04M 1/04 206/478
6,886,749	B2 *	5/2005	Chiba	H04N 1/00204 235/454	2012/0257008	A1 *	10/2012	Taylor	H04N 5/2252 348/36
D597,067	S *	7/2009	Oh	D14/203.7	2012/0285847	A1 *	11/2012	Olsson	G06F 1/1628 206/320
D605,850	S *	12/2009	Richardson	D3/218	2012/0305422	A1 *	12/2012	Vandiver	H04M 1/185 206/320
7,830,497	B2 *	11/2010	del Puerto	B82Y 10/00 355/30	2012/0320503	A1 *	12/2012	Yturralde	G06F 1/1628 361/679.01
D650,371	S *	12/2011	Wibby	D14/238.1	2013/0029790	A1 *	1/2013	Clark	A63B 71/0669 473/407
D669,079	S *	10/2012	Hansen	D14/420	2013/0113348	A1 *	5/2013	Holben	H05K 5/03 312/223.1
D673,551	S *	1/2013	Chang	D14/250	2013/0146491	A1 *	6/2013	Ghali	G06F 1/1626 206/320
D673,942	S *	1/2013	Magness	D14/250	2013/0157351	A1 *	6/2013	Ozcan	G01N 21/6486 435/288.7
D675,604	S *	2/2013	Limber	D14/250	2013/0157730	A1 *	6/2013	McCormac	H04W 88/02 455/575.8
D676,842	S *	2/2013	Weller	D14/250	2013/0175186	A1 *	7/2013	Simmer	A45C 11/00 206/37
D681,617	S *	5/2013	Weller	D14/250	2013/0320087	A1 *	12/2013	Moran	G06K 19/06037 235/440
D687,027	S *	7/2013	Melanson	D14/250	2014/0034531	A1 *	2/2014	Wang	H04B 1/3883 206/320
8,483,758	B2 *	7/2013	Huang	H04B 1/3883 361/679.41	2014/0038222	A1 *	2/2014	Alt	G01N 21/63 435/29
D695,746	S *	12/2013	Magness	D14/440	2014/0043442	A1 *	2/2014	Borenstein	H04N 13/02 348/47
D701,862	S *	4/2014	Lee	D14/420	2014/0076753	A1 *	3/2014	Limber	H04B 1/3888 206/320
D702,245	S *	4/2014	Susman	D14/453	2014/0092532	A1 *	4/2014	Kole	H04M 1/0249 361/679.01
D705,763	S *	5/2014	Fastman	D14/250	2014/0098476	A1 *	4/2014	Severson	H05K 5/03 361/679.01
D707,686	S *	6/2014	White	D14/453	2014/0104761	A1 *	4/2014	Hsu	H05K 7/1401 361/679.01
D707,687	S *	6/2014	White	D14/453	2014/0111910	A1 *	4/2014	Lin	G06F 1/1637 361/679.01
D709,064	S *	7/2014	Chang	D14/250	2014/0111913	A1 *	4/2014	Liu	H04M 1/185 361/679.01
D714,769	S *	10/2014	Rayner	D14/250	2014/0160650	A1 *	6/2014	Stevens	H05K 13/00 361/679.01
D714,771	S *	10/2014	Rayner	D14/250	2014/0168212	A1 *	6/2014	Jones	G06T 7/0071 345/420
D719,166	S *	12/2014	Brown	D14/250	2014/0168867	A1 *	6/2014	Choi	H04M 1/236 361/679.01
D719,167	S *	12/2014	Brown	D14/250	2014/0192459	A1 *	7/2014	Kwong	G06F 3/0202 361/679.01
D726,295	S *	4/2015	Kim	D23/351	2014/0192462	A1 *	7/2014	Park	H04M 1/21 361/679.01
D734,752	S *	7/2015	Chen	D14/420	2014/0354868	A1 *	12/2014	Desmarais	H04N 5/23293 348/333.01
9,127,806	B2 *	9/2015	Bergreen	F16M 11/041	2014/0368639	A1 *	12/2014	Wu	G01B 11/00 348/136
2002/0005434	A1 *	1/2002	Murakami	G06K 7/12 235/494	2015/0077517	A1 *	3/2015	Powers	H04N 5/2253 348/46
2002/0105253	A1 *	8/2002	Diaz	A45C 13/08 312/265.6	2015/0126244	A1 *	5/2015	Moran	G06K 9/209 455/556.1
2003/0151780	A1 *	8/2003	Tsai	H04N 1/107 358/474					
2004/0218081	A1 *	11/2004	Lohr	G02B 7/00 348/335					
2009/0093274	A1 *	4/2009	Yamamoto	G03B 17/565 455/566					
2009/0114556	A1 *	5/2009	Tai	H04M 1/185 206/320					
2009/0181729	A1 *	7/2009	Griffin, Jr.	H04N 5/2254 455/575.1					
2010/0104814	A1 *	4/2010	Richardson	H04B 1/3888 428/156					
2010/0122756	A1 *	5/2010	Longinotti-Buitoni	A45C 11/00 150/165					
2010/0124040	A1 *	5/2010	Diebel	G06F 1/1628 361/816					
2010/0255876	A1 *	10/2010	Jordan	A61B 5/0002 455/556.1					
2011/0183721	A1 *	7/2011	Hill	H01Q 1/243 455/566					
2011/0192510	A1 *	8/2011	Bau	G06F 1/1626 150/154					

* cited by examiner

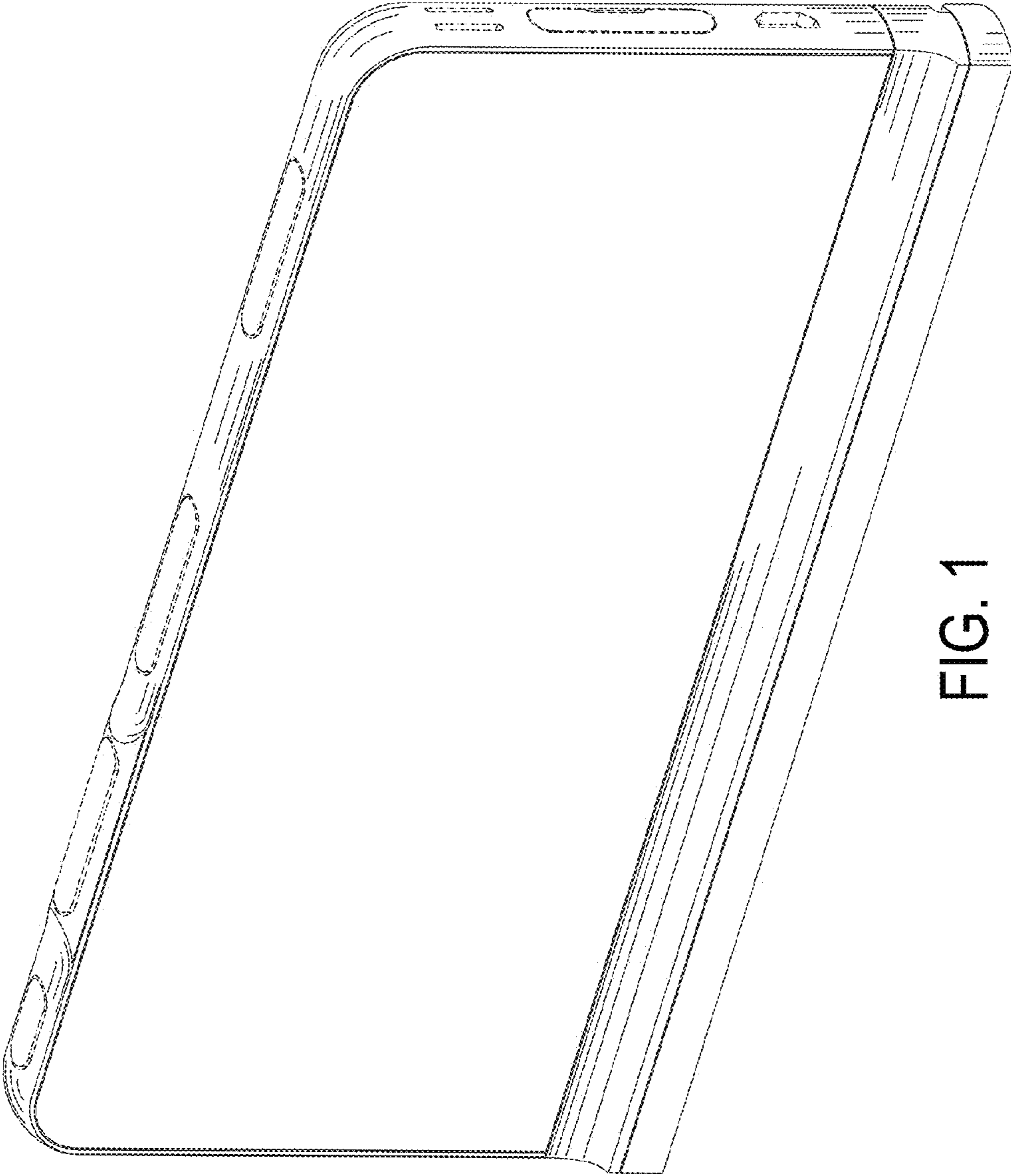


FIG. 1

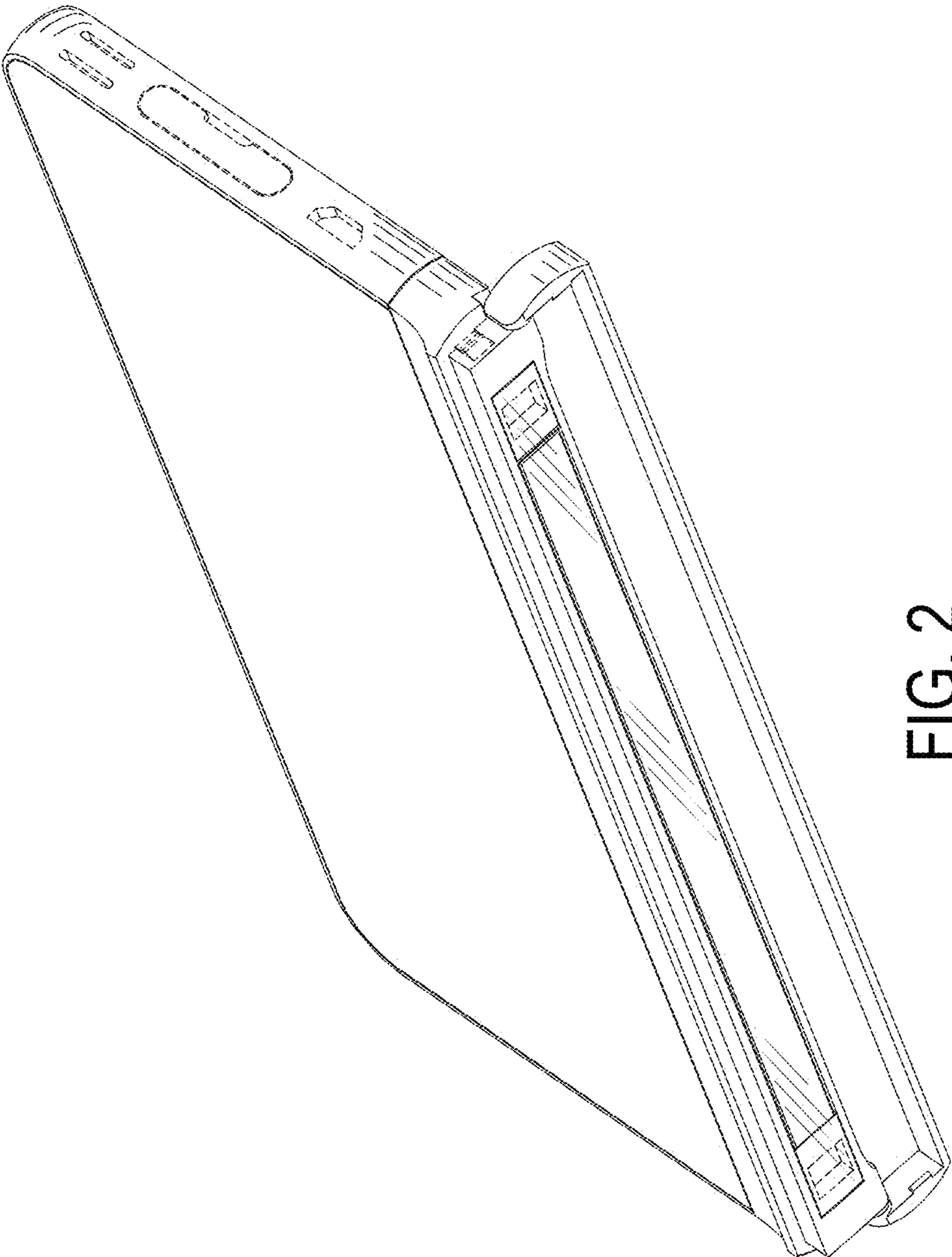


FIG. 2

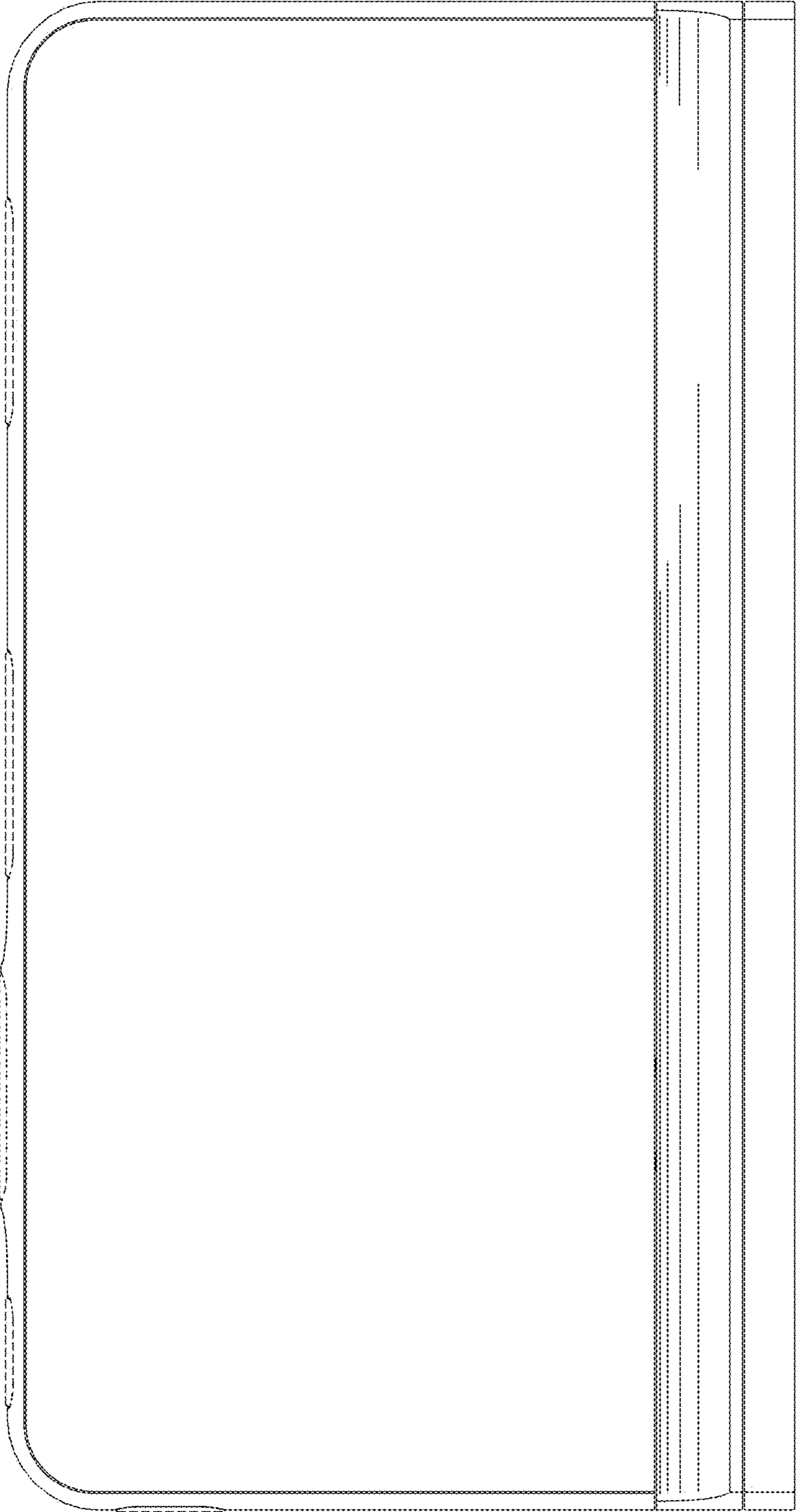


FIG. 3

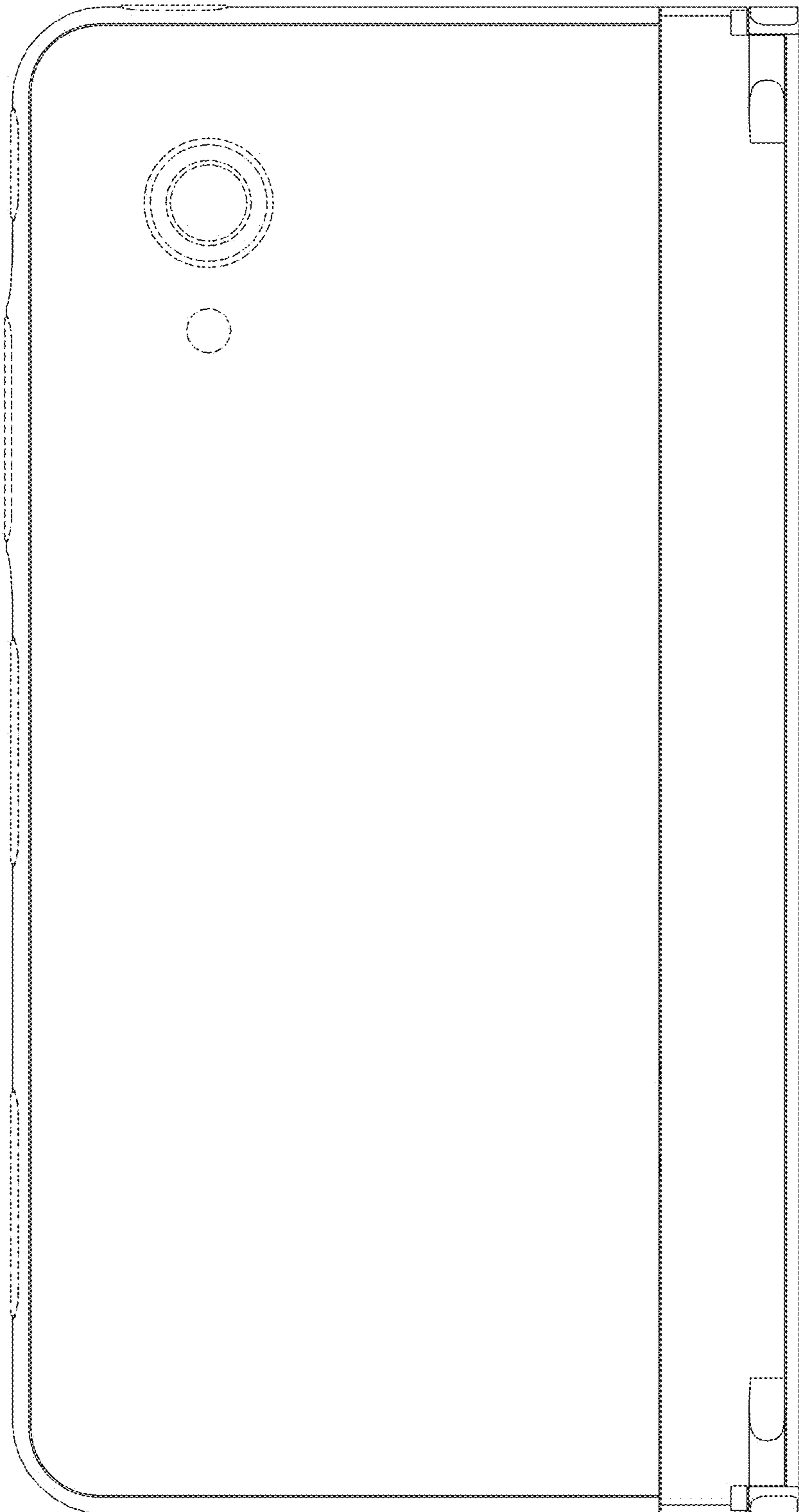


FIG. 4

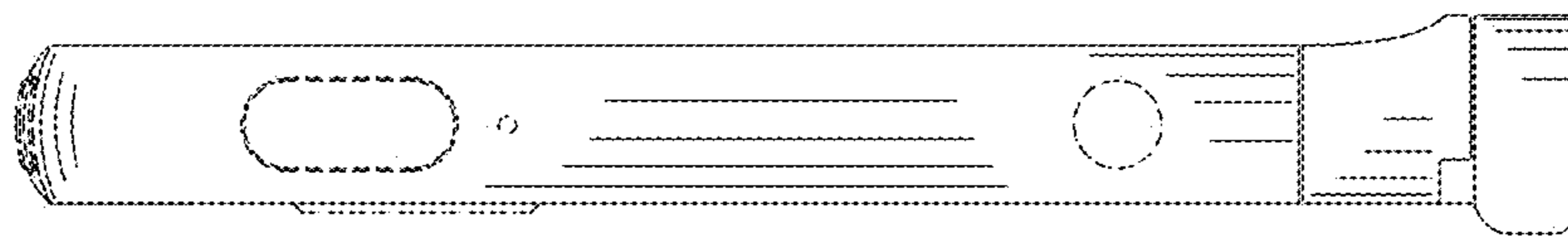


FIG. 5

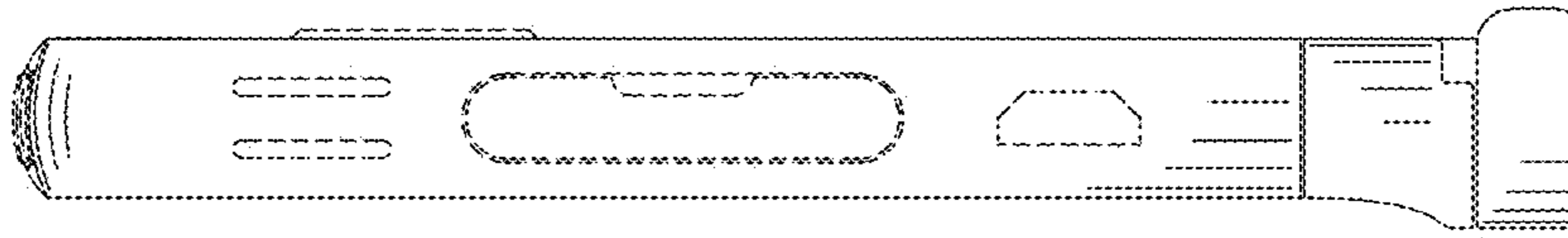


FIG. 6

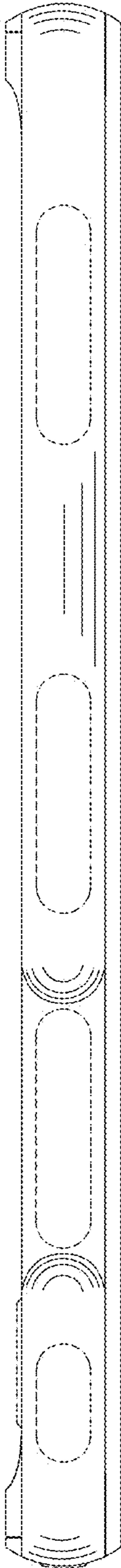


FIG. 7

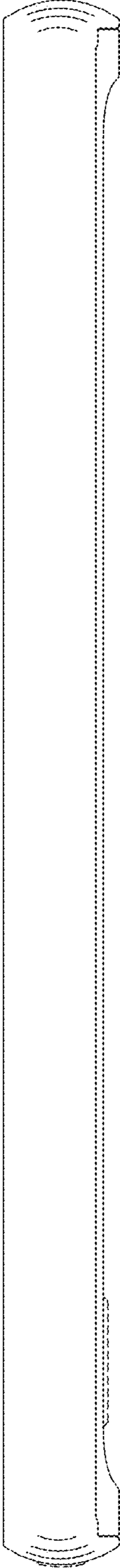


FIG. 8