

US00D761260S

(12) **United States Design Patent**  
**Luo**

(10) **Patent No.:** **US D761,260 S**  
(45) **Date of Patent:** **\*\* Jul. 12, 2016**

(54) **PORTABLE SECURITY DEVICE**  
(71) Applicant: **Sentri Inc.**, Walnut, CA (US)  
(72) Inventor: **Wei-Wen Luo**, New Taipei (TW)  
(73) Assignee: **SENTRI INC.**, Walnut, CA (US)  
(\*\*) Term: **14 Years**  
(21) Appl. No.: **29/504,341**  
(22) Filed: **Oct. 3, 2014**  
(51) **LOC (10) Cl.** ..... **14-02**  
(52) **U.S. Cl.**  
USPC ..... **D14/383**  
(58) **Field of Classification Search**  
USPC ..... D14/356–358, 383–385, 420, 426, 427,  
D14/432–439, 447, 453, 454, 217, 253, 299,  
D14/307; D13/107, 108, 133, 146, 147,  
D13/152, 154, 156, 158, 162, 162.1, 168,  
D13/173, 177, 102; 235/441, 451, 492, 380,  
235/439, 375; 361/679.31, 600, 679.01,  
361/679.02  
CPC ..... G07C 9/00103; G07C 9/00039; G07C  
9/00904; G06K 5/00; G06K 7/01  
See application file for complete search history.

D508,245 S \* 8/2005 Ozolins ..... D14/383  
D535,992 S \* 1/2007 Ozolins ..... D14/383  
D537,445 S \* 2/2007 Bousfield ..... D14/383  
D648,722 S \* 11/2011 Meyerhoffer ..... D14/341  
8,151,608 B2 \* 4/2012 Fisher ..... E05B 19/0005  
70/24  
D718,307 S \* 11/2014 Ozolins ..... D14/383  
D727,901 S \* 4/2015 Nishimura ..... D14/383  
D728,675 S \* 5/2015 Daniel ..... D14/383  
D729,800 S \* 5/2015 Kitano ..... D14/383  
D736,207 S \* 8/2015 Bousfield ..... D14/385  
D737,786 S \* 9/2015 Loretan ..... D14/125  
D742,877 S \* 11/2015 Tsuchida ..... D14/383

\* cited by examiner

*Primary Examiner* — Austin Murphy  
(74) *Attorney, Agent, or Firm* — Perkins Coie LLP

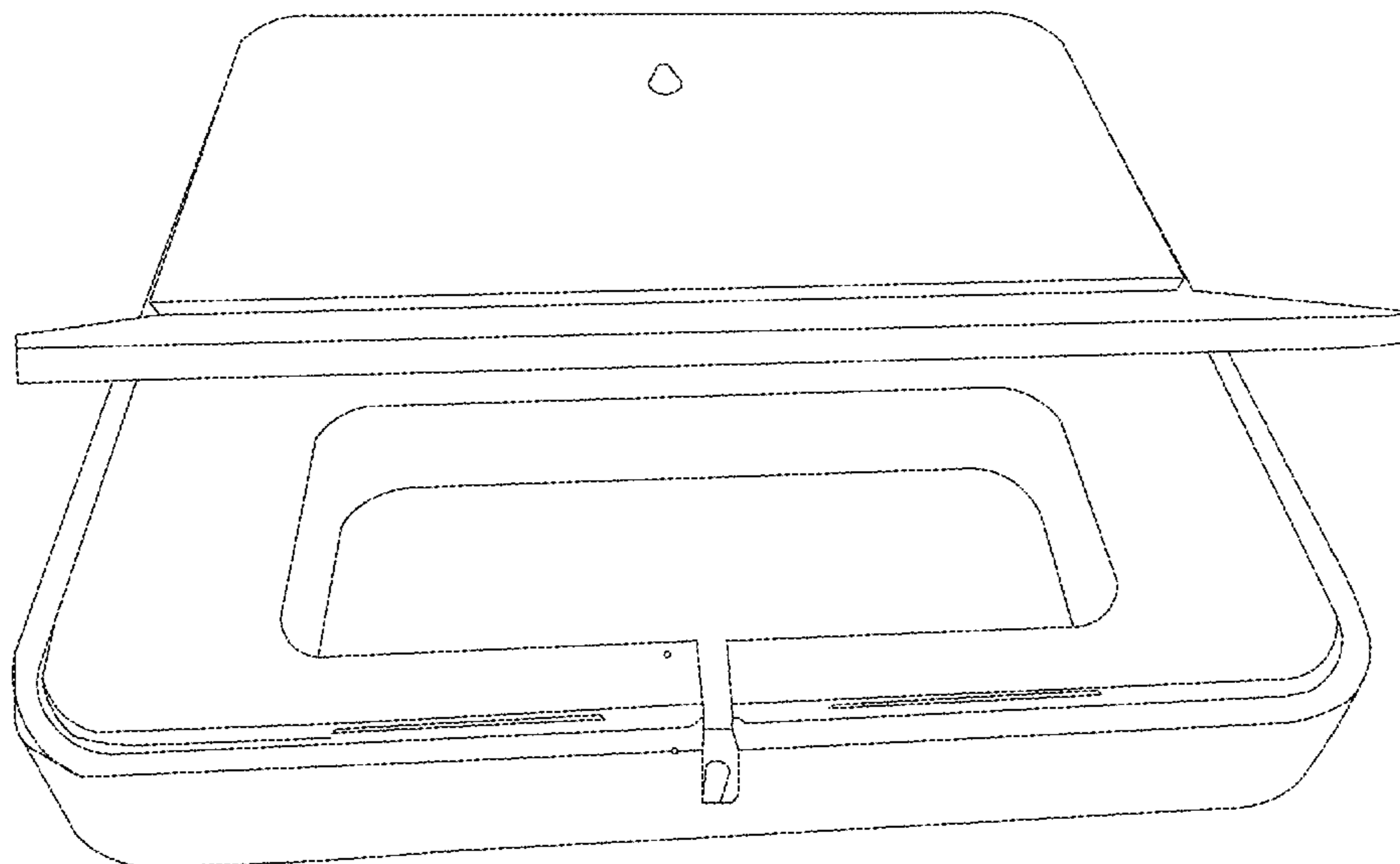
(57) **CLAIM**  
The ornamental design for a portable security device, as shown and described.

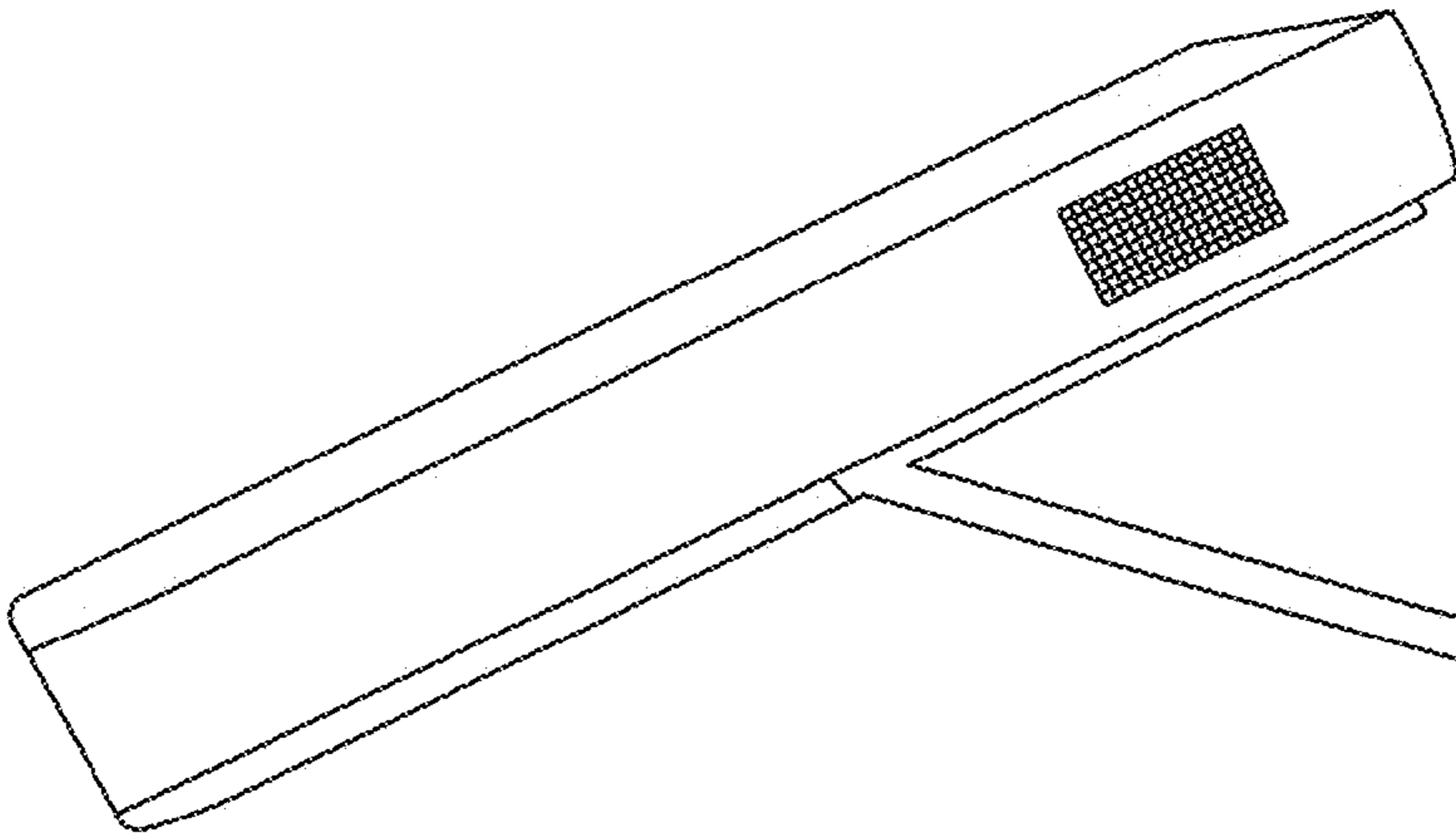
**DESCRIPTION**

FIG. 1 is a side perspective view of a portable security device, illustrated to stand on its bottom side and a back panel that is opened;  
FIG. 2 is a front view thereof, illustrated as laid flat on its back side;  
FIG. 3 is a back perspective view thereof, illustrated as laid flat on its front side with the back panel opened; and,  
FIG. 4 is a back view thereof, illustrated as laid flat on its front side with the back panel closed.

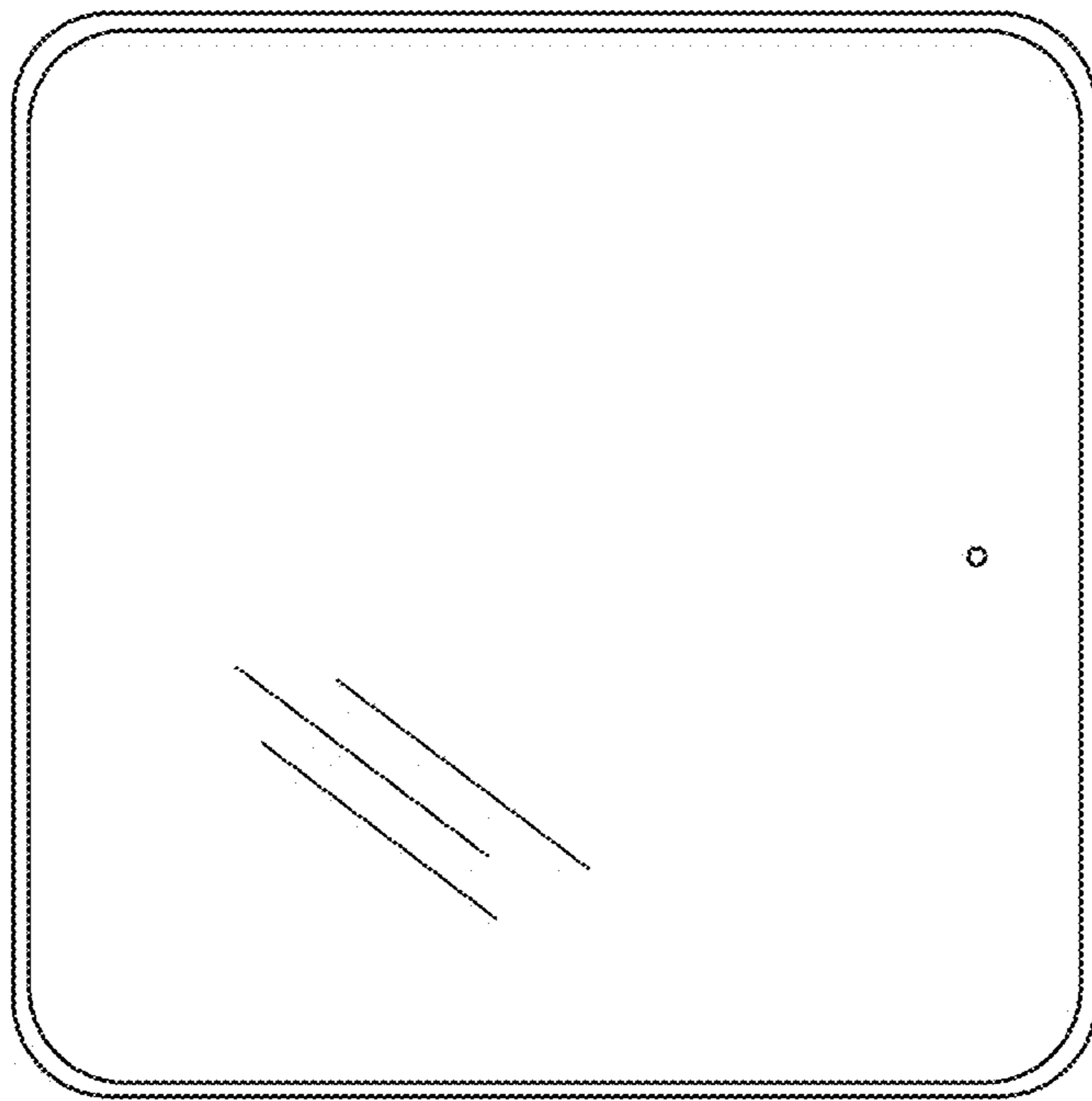
**1 Claim, 4 Drawing Sheets**

(56) **References Cited**  
U.S. PATENT DOCUMENTS  
D480,725 S \* 10/2003 Funato ..... D14/383  
D491,953 S \* 6/2004 Arakaki ..... D14/383





*FIG. 1*



*FIG. 2*

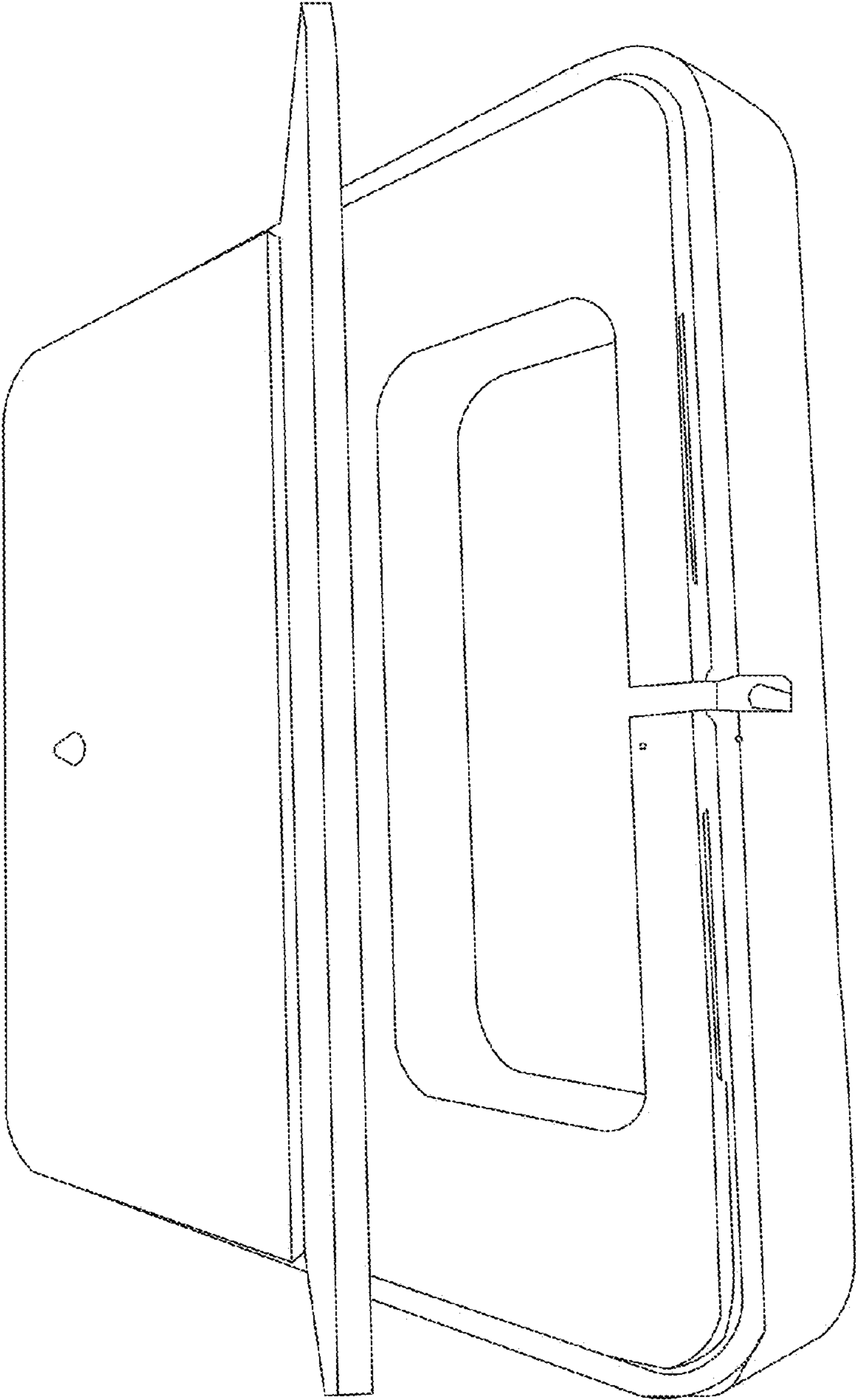


FIG. 3

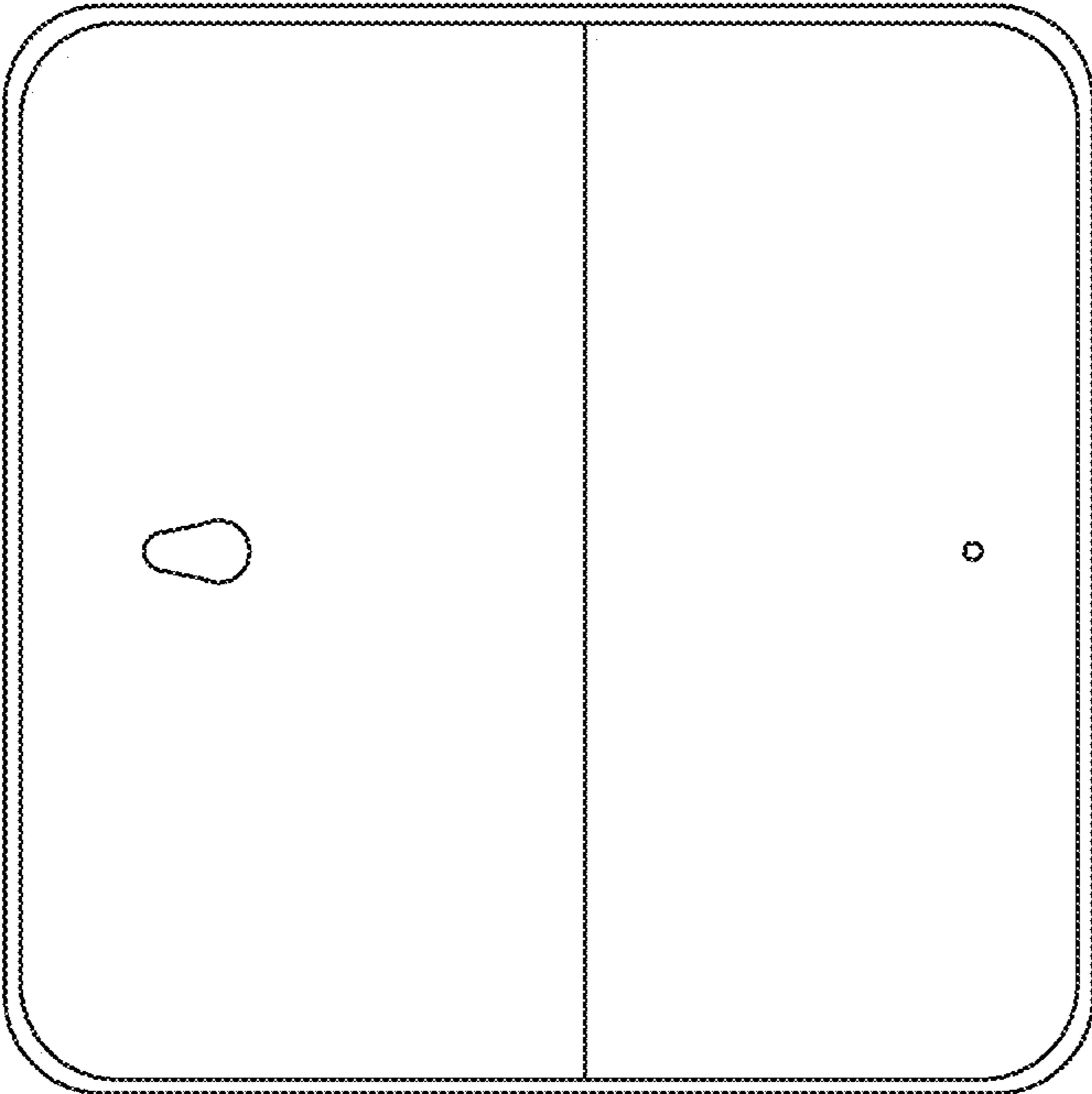


FIG. 4