



US00D761259S

(12) **United States Design Patent**
Tada

(10) **Patent No.:** **US D761,259 S**

(45) **Date of Patent:** **** Jul. 12, 2016**

(54) **HEAD MOUNTED DISPLAY**

(71) Applicant: **FUJITSU LIMITED**, Kawasaki-shi,
Kanagawa (JP)

(72) Inventor: **Masafumi Tada**, Tokyo (JP)

(73) Assignee: **FUJITSU LIMITED**, Kawasaki (JP)

(**) Term: **15 Years**

(21) Appl. No.: **29/541,085**

(22) Filed: **Sep. 30, 2015**

(30) **Foreign Application Priority Data**

Mar. 31, 2015 (JP) 2015-007081

(51) **LOC (10) Cl.** **14-02**

(52) **U.S. Cl.**
USPC **D14/372**

(58) **Field of Classification Search**

USPC D14/372, 496, 432, 371, 125, 126, 129,
D14/299; D16/300-342; 351/158, 153, 144;
345/7-9, 905; 455/344; 348/115, 53,
348/121, 739

CPC G02B 27/017; G02B 27/0158; G02B
27/0161; G02B 27/0181; G02B 27/0185;
G02B 27/0189

See application file for complete search history.

(56) **References Cited**

U.S. PATENT DOCUMENTS

D723,556 S *	3/2015	Choo	D14/372
D724,586 S *	3/2015	Choo	D14/372
D724,587 S *	3/2015	Choo	D14/372
D726,719 S *	4/2015	Choo	D14/372
D728,565 S *	5/2015	Kim	D14/372
D728,566 S *	5/2015	Kim	D14/372
D730,352 S *	5/2015	Chow	D14/372
D737,821 S *	9/2015	Cho	D14/205
D738,420 S *	9/2015	Lee	D14/372

(Continued)

Primary Examiner — Austin Murphy

(74) *Attorney, Agent, or Firm* — Staas & Halsey LLP

(57) **CLAIM**

The ornamental design for a head mounted display, as shown and described.

DESCRIPTION

FIG. 1 is a perspective view of front, top and left side of a head mounted display showing my new design;

FIG. 2 is a perspective view of rear, bottom and left side thereof;

FIG. 3 is a front view thereof;

FIG. 4 is a rear view thereof;

FIG. 5 is a left side view thereof;

FIG. 6 is a right side view thereof;

FIG. 7 is a top view thereof;

FIG. 8 is a bottom view thereof;

FIG. 9 is a front view thereof showing an intermediate state that a display unit rises upwardly;

FIG. 10 is a left side view thereof showing an intermediate state that a display unit rises upwardly;

FIG. 11 is a front view thereof showing a final state that a display unit rises upwardly;

FIG. 12 is a left side view thereof showing a final state that a display unit rises upwardly;

FIG. 13 is a left side view thereof showing an intermediate state that a pad movable unit is moved to a front side;

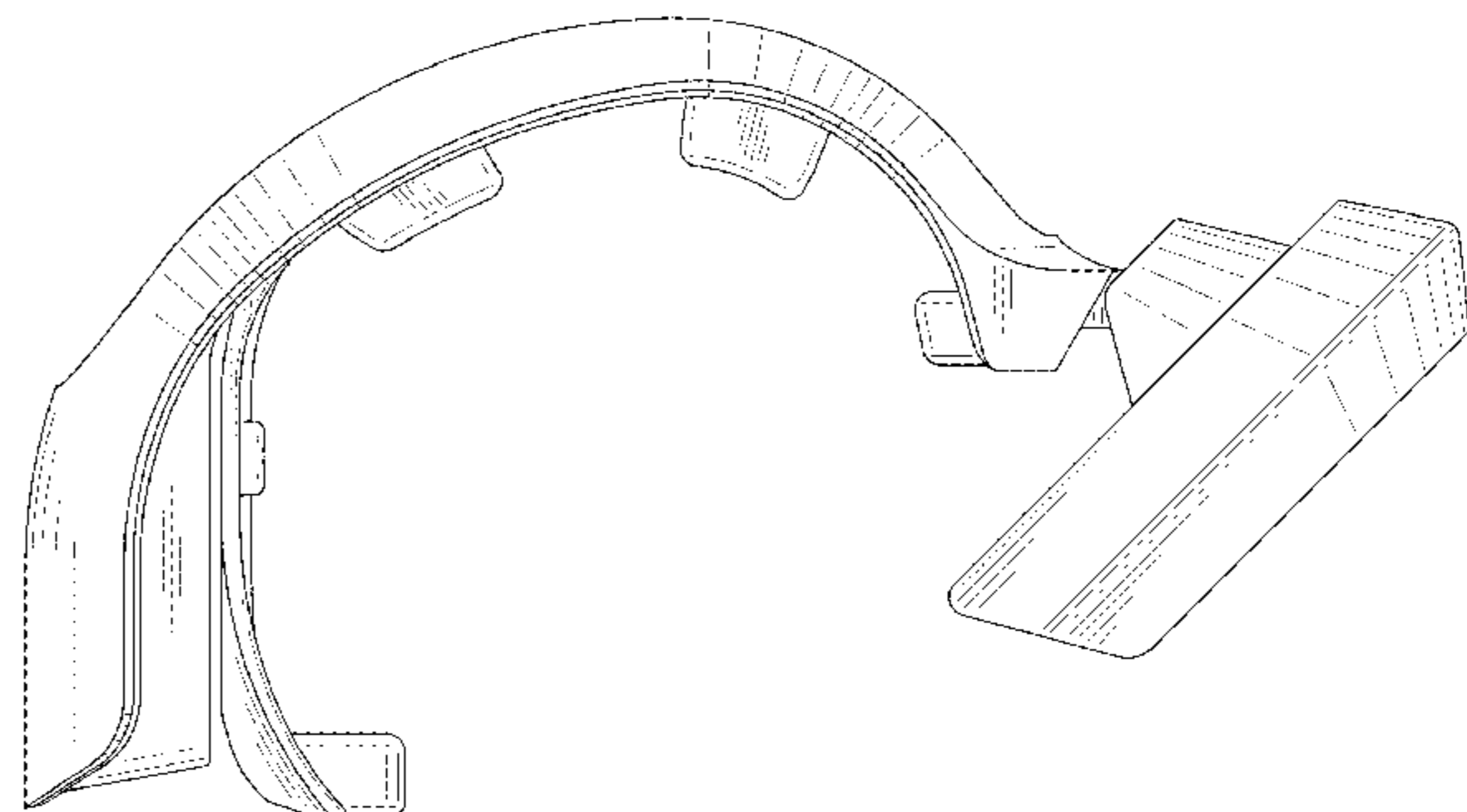
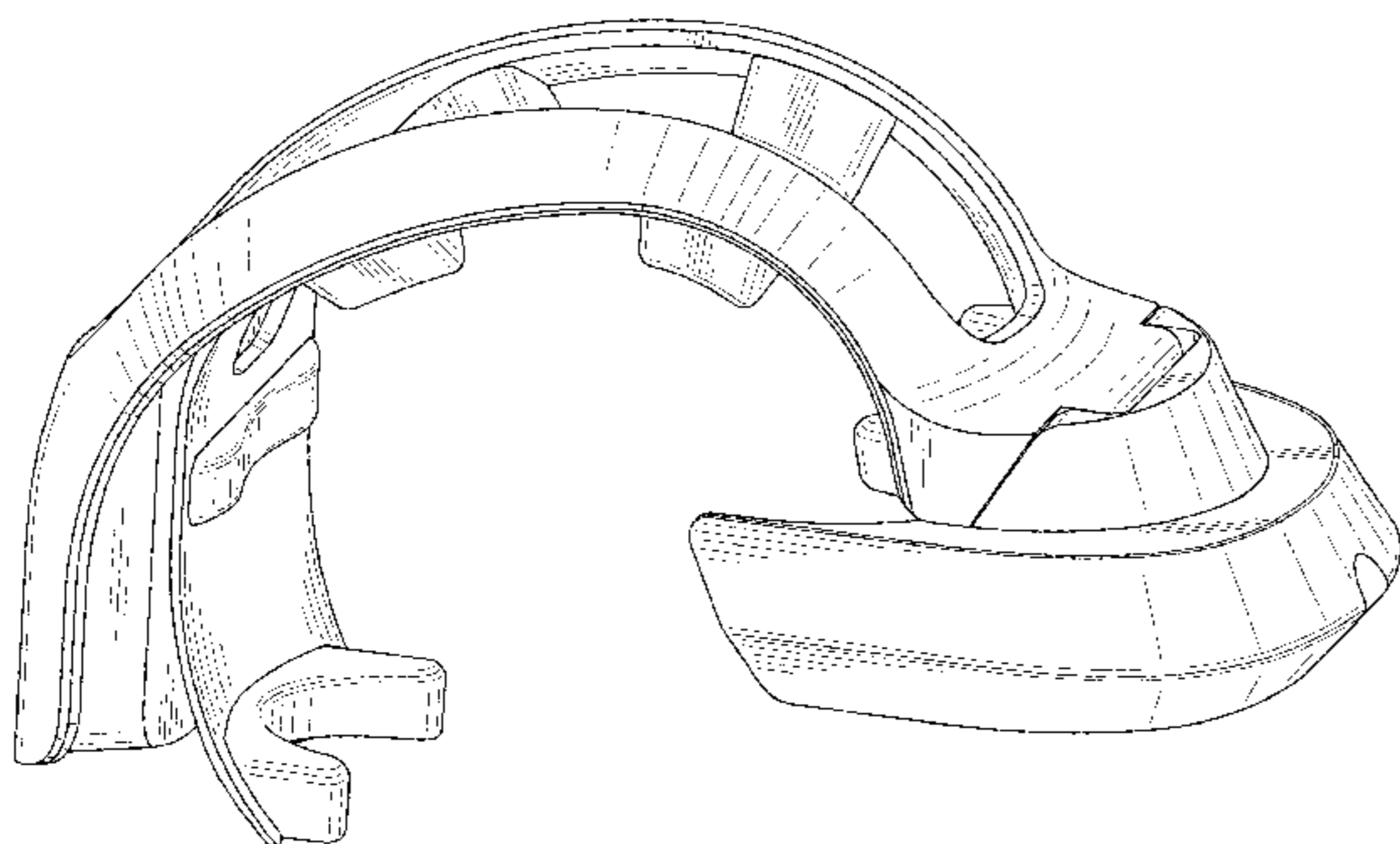
FIG. 14 is a left side view thereof showing a final state that a pad movable unit is moved to a front side;

FIG. 15 is a perspective view of usage showing a wearing state; and,

FIG. 16 is a perspective view thereof showing a wearing state and showing a final state that a display unit rises upwardly.

The broken lines shown in the drawing are for the purpose of illustrating environmental structure and form no part of the claimed design.

1 Claim, 15 Drawing Sheets



US D761,259 S

Page 2

(56)

References Cited

U.S. PATENT DOCUMENTS

D740,284 S * 10/2015 Maeda D14/372
D740,813 S * 10/2015 Bosveld D14/372
D740,816 S * 10/2015 Bosveld D14/372

D741,325 S * 10/2015 Bosveld D14/372
D741,327 S * 10/2015 Reznik D14/372
D749,580 S * 2/2016 Kim D14/372
D752,680 S * 3/2016 Kim D14/372

* cited by examiner

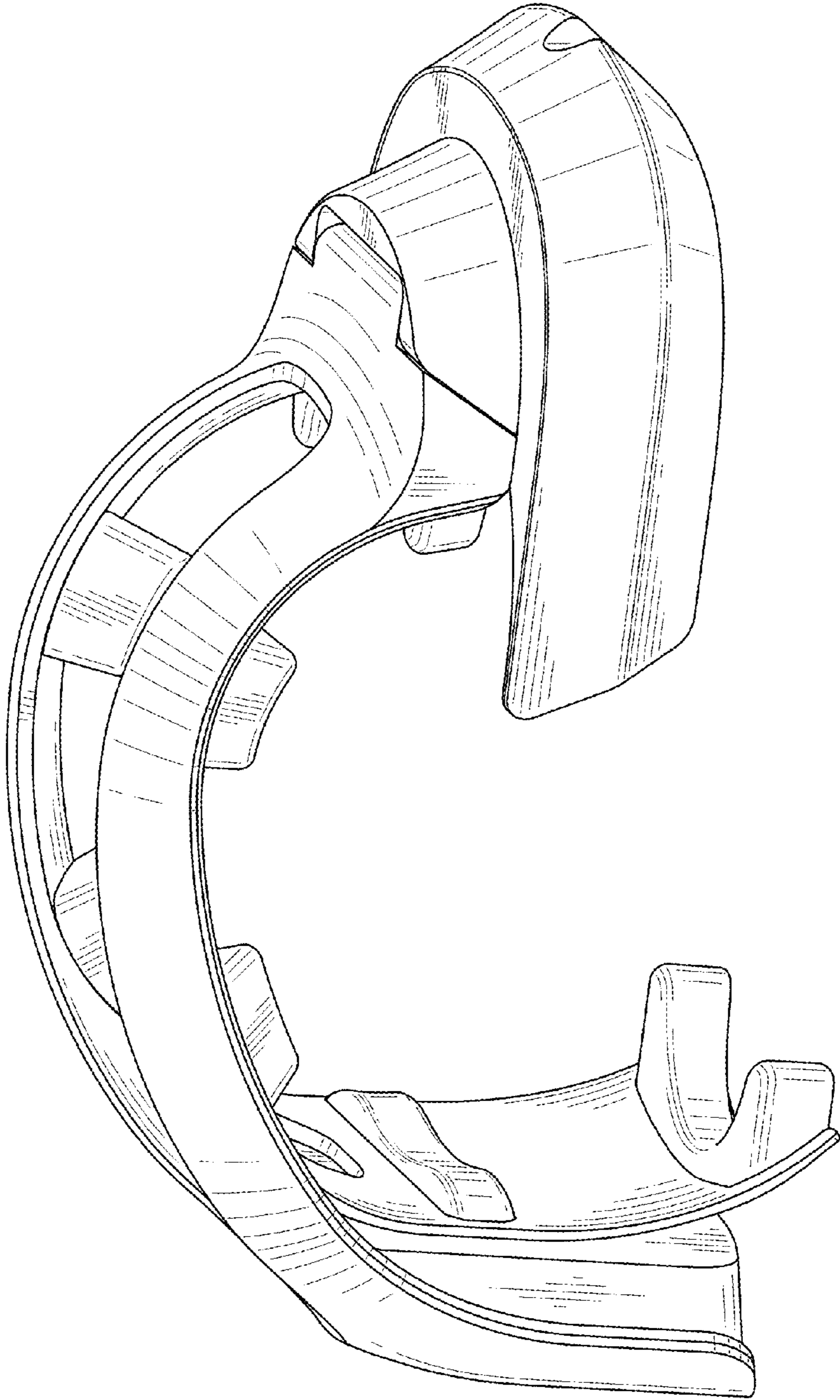


FIG. 1

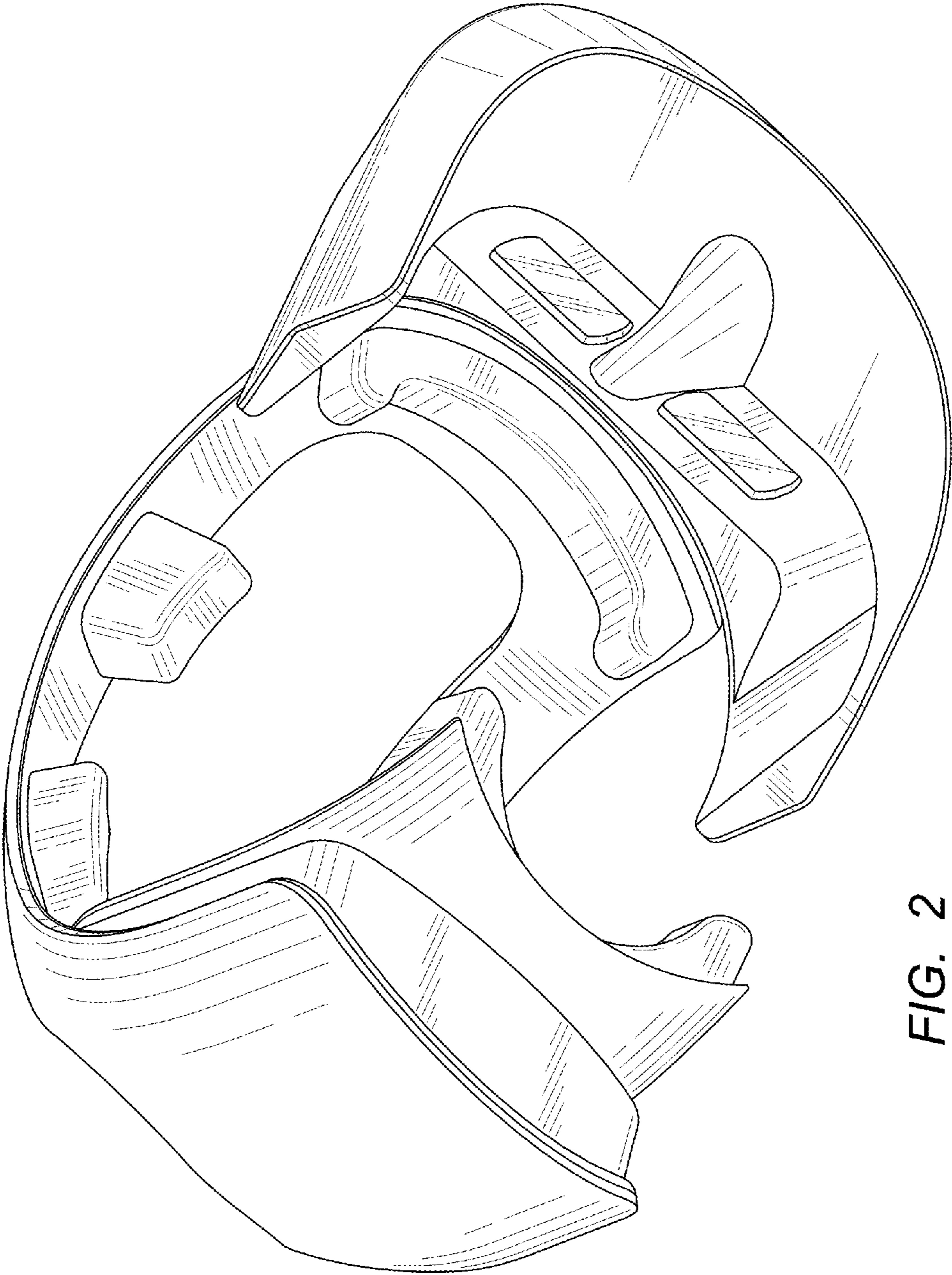


FIG. 2

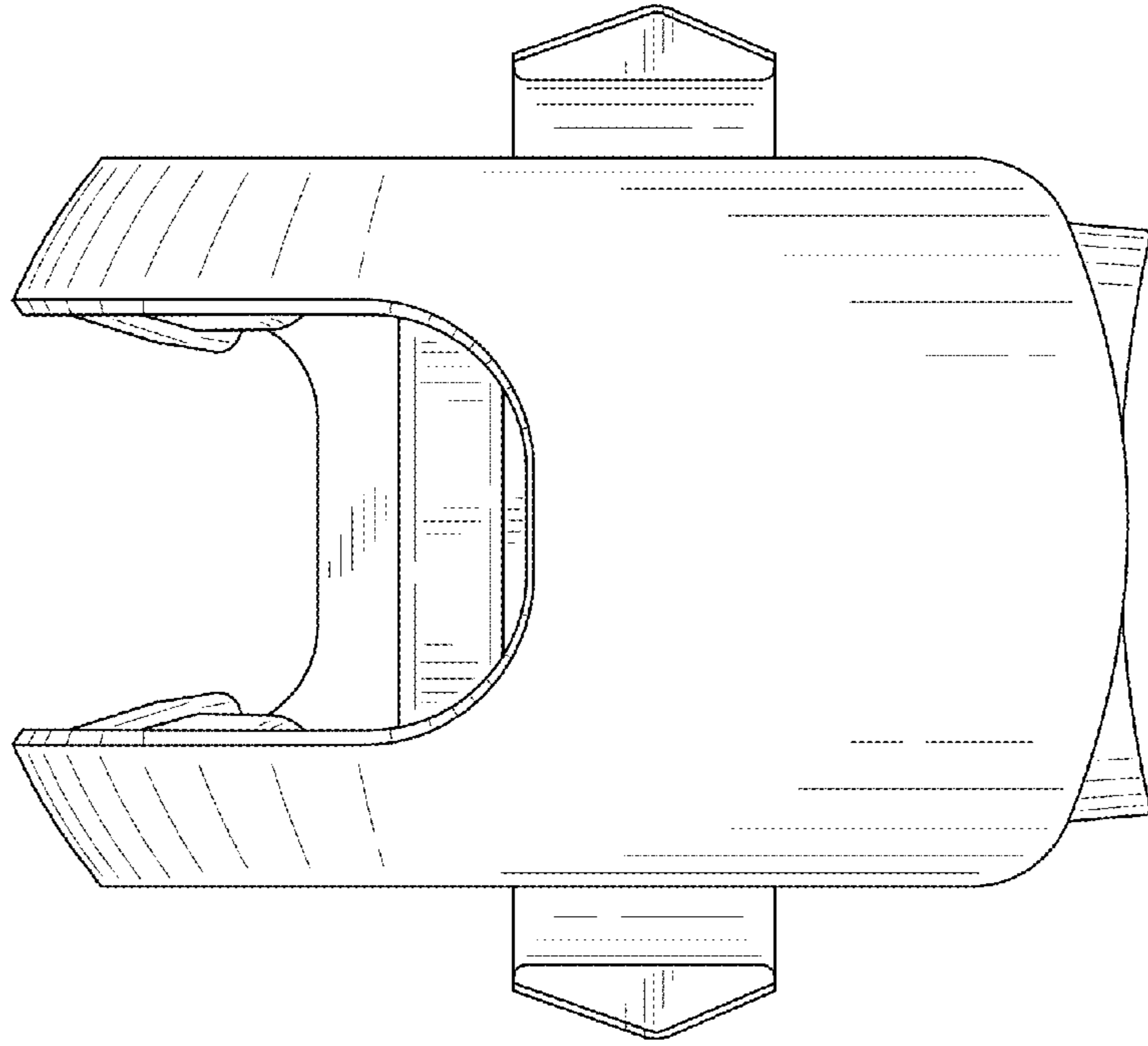


FIG. 4

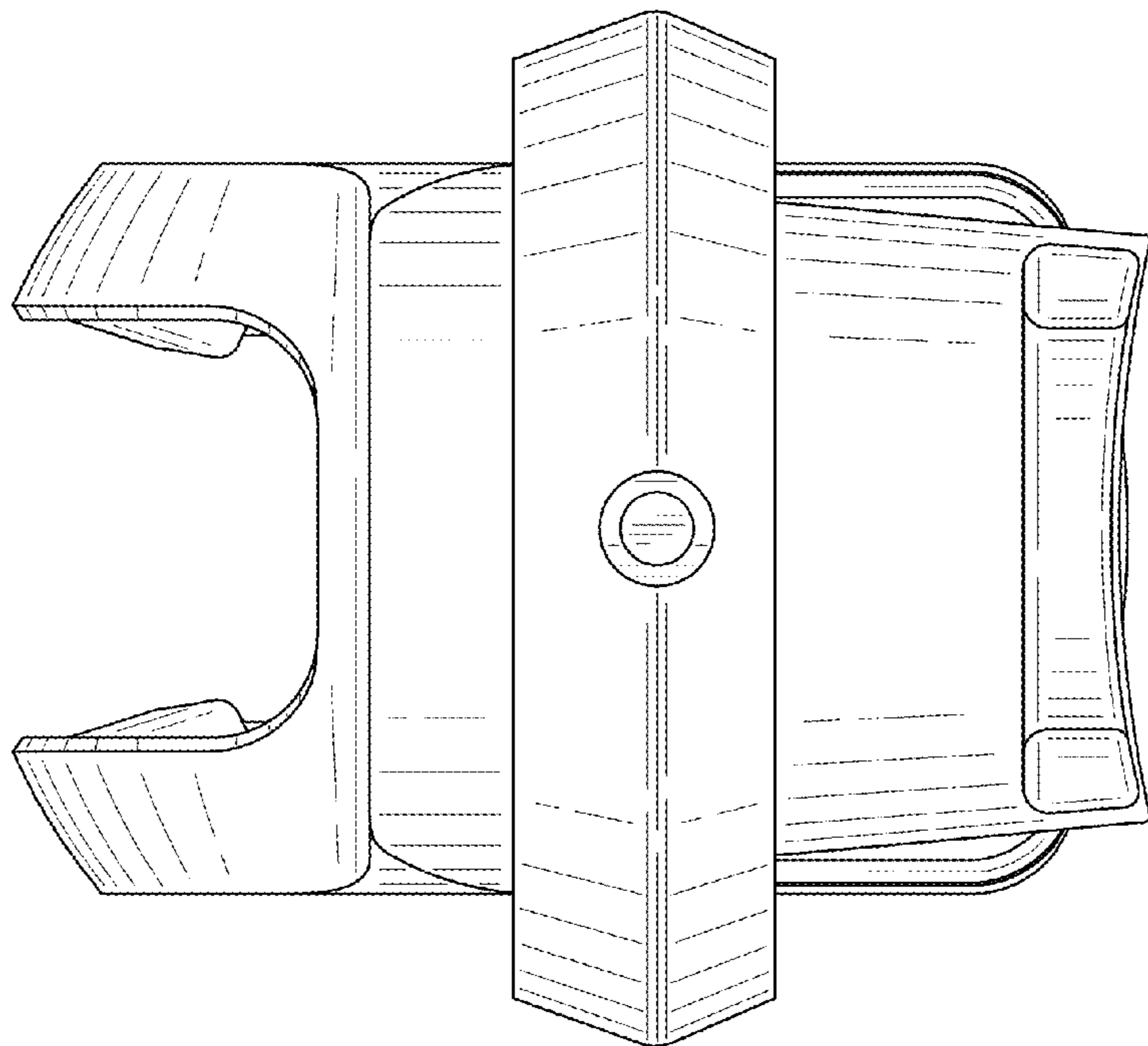


FIG. 3

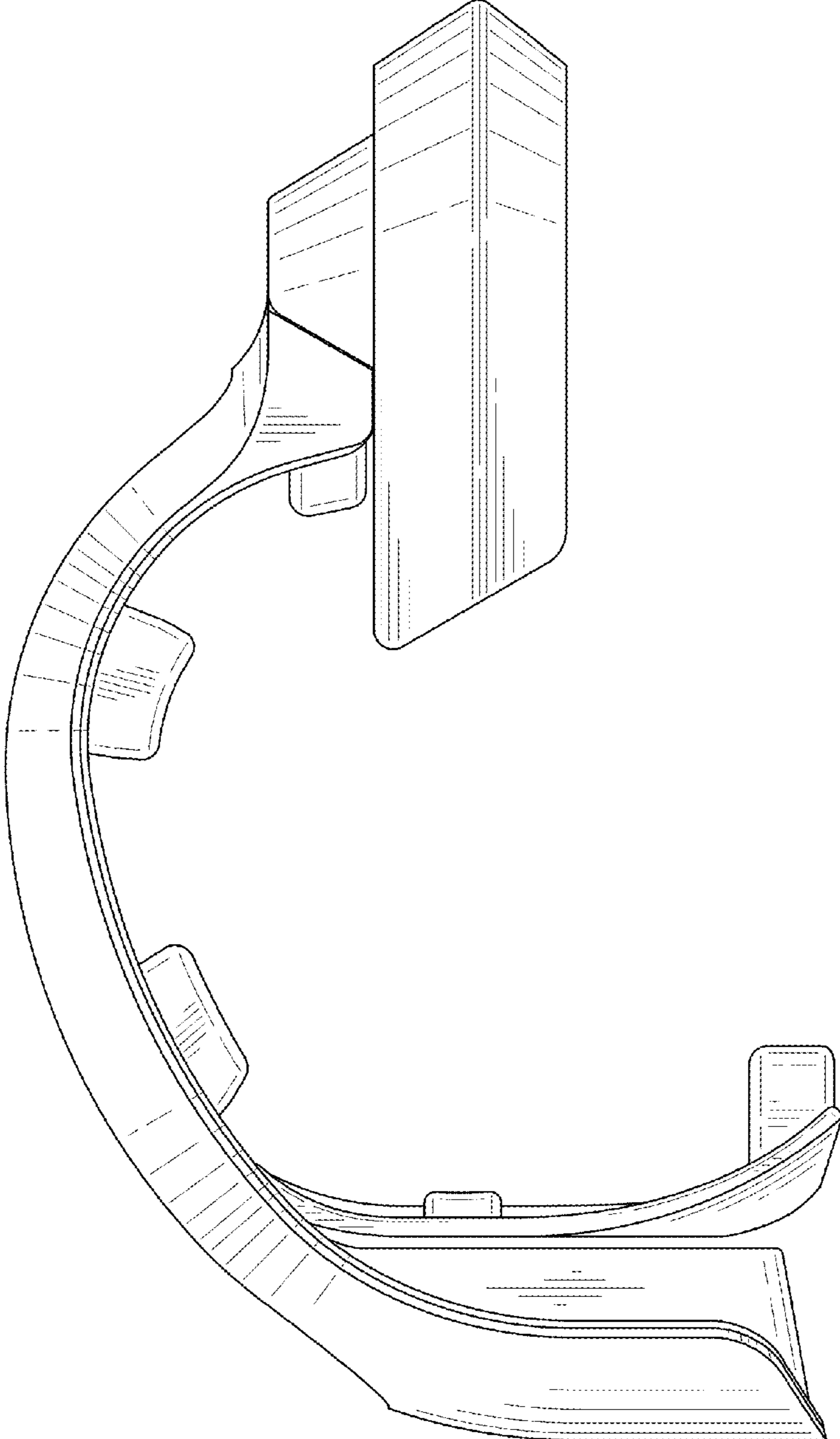


FIG. 5

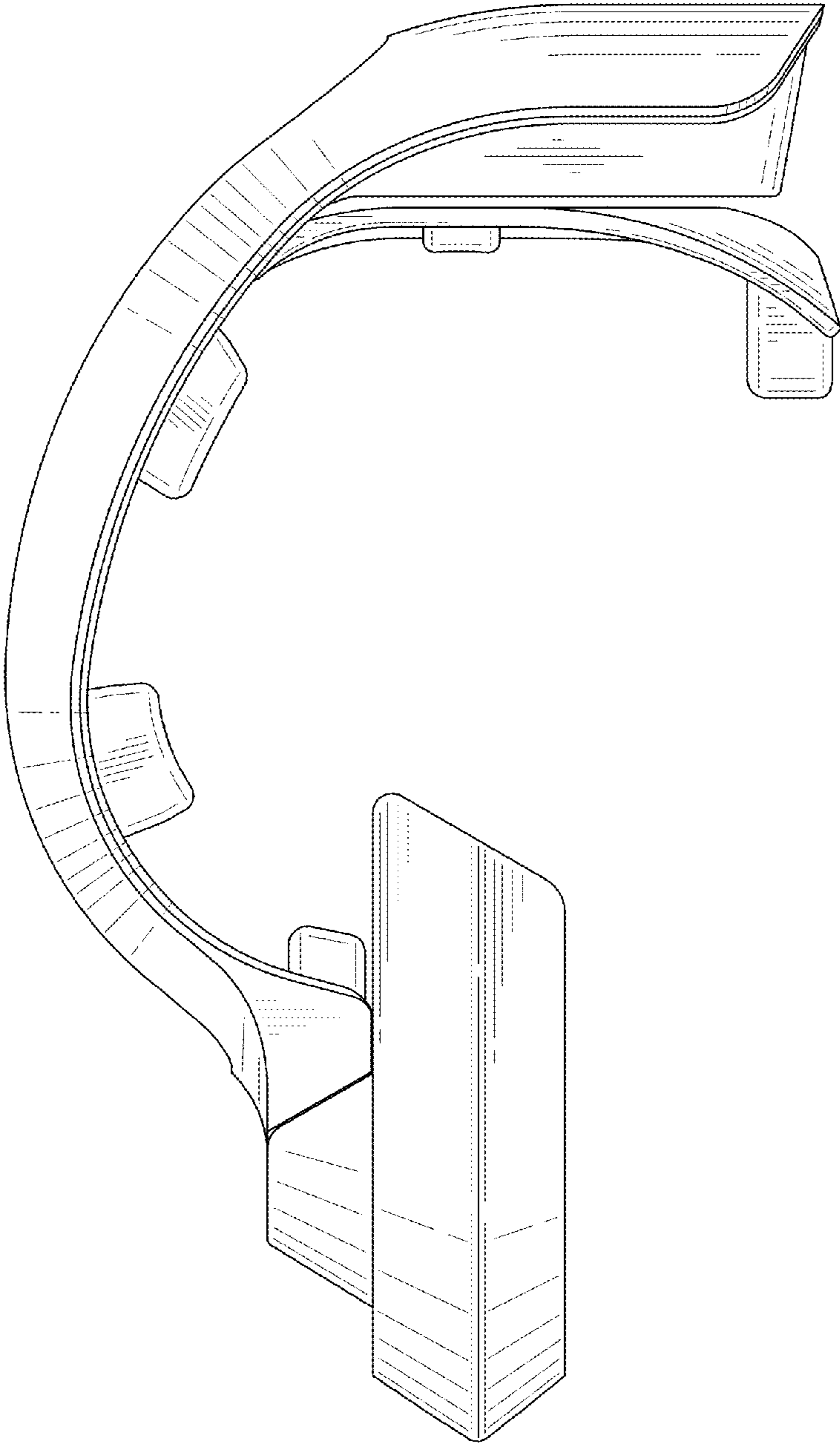


FIG. 6

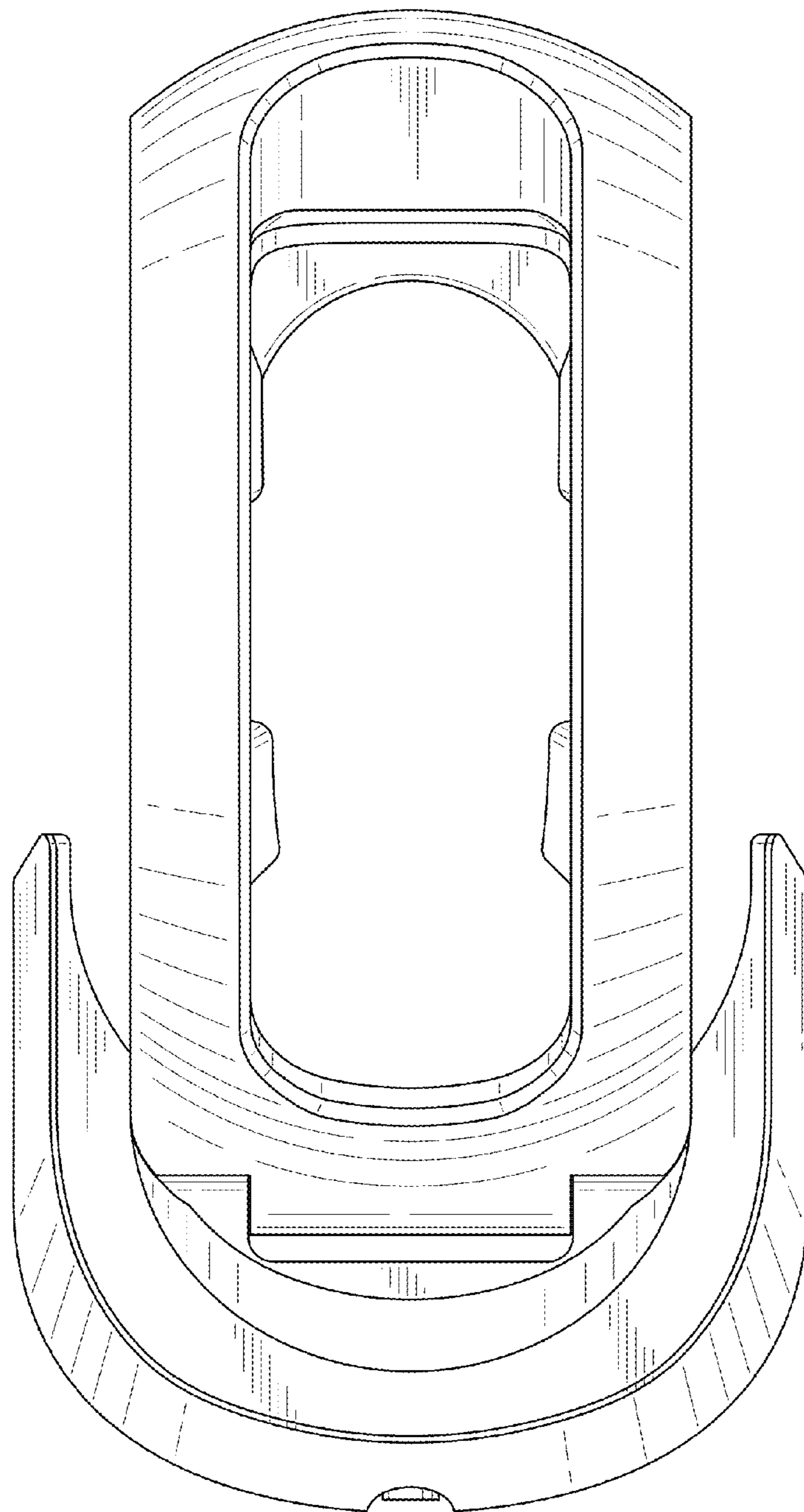


FIG. 7

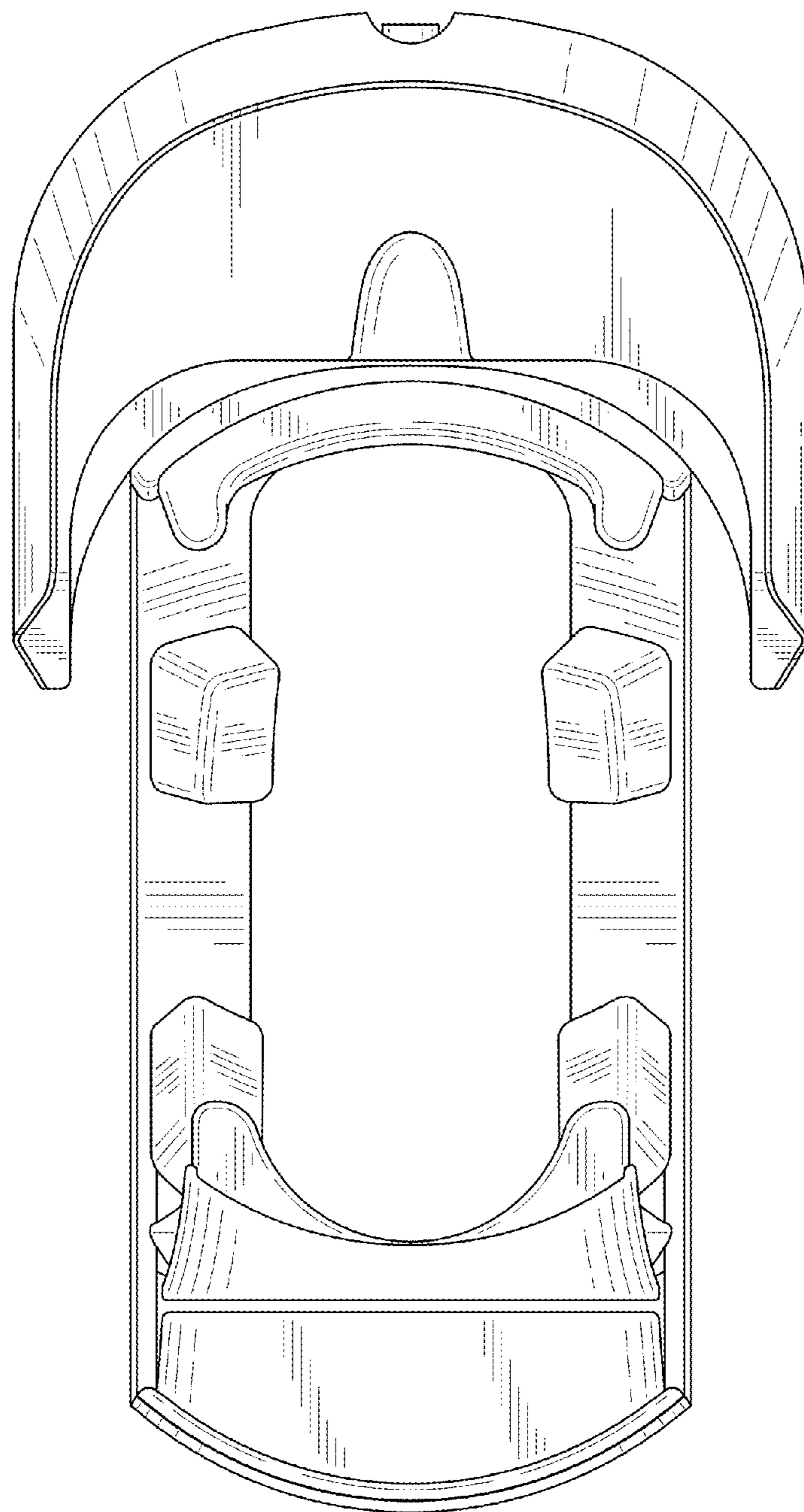


FIG. 8

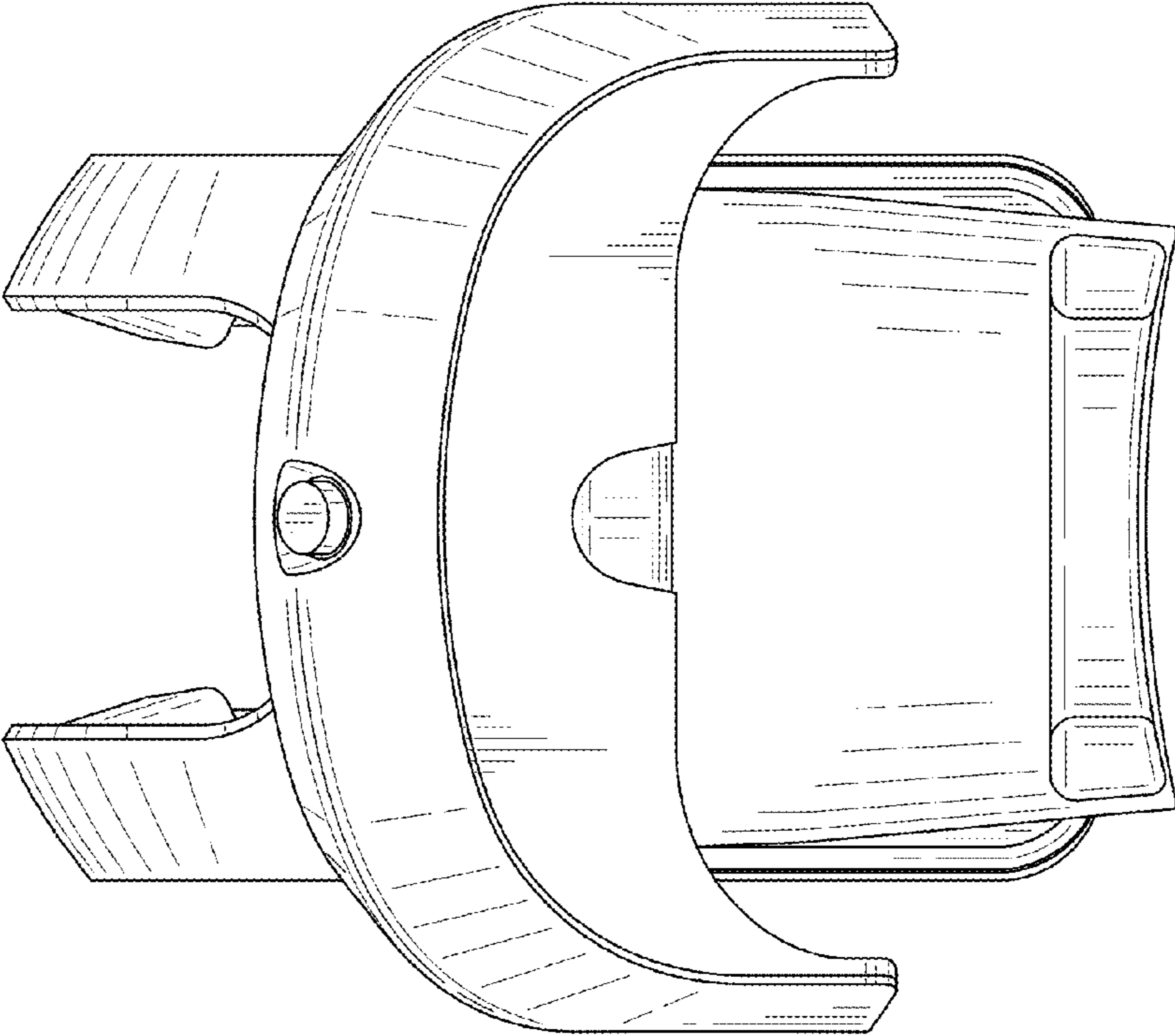


FIG. 9

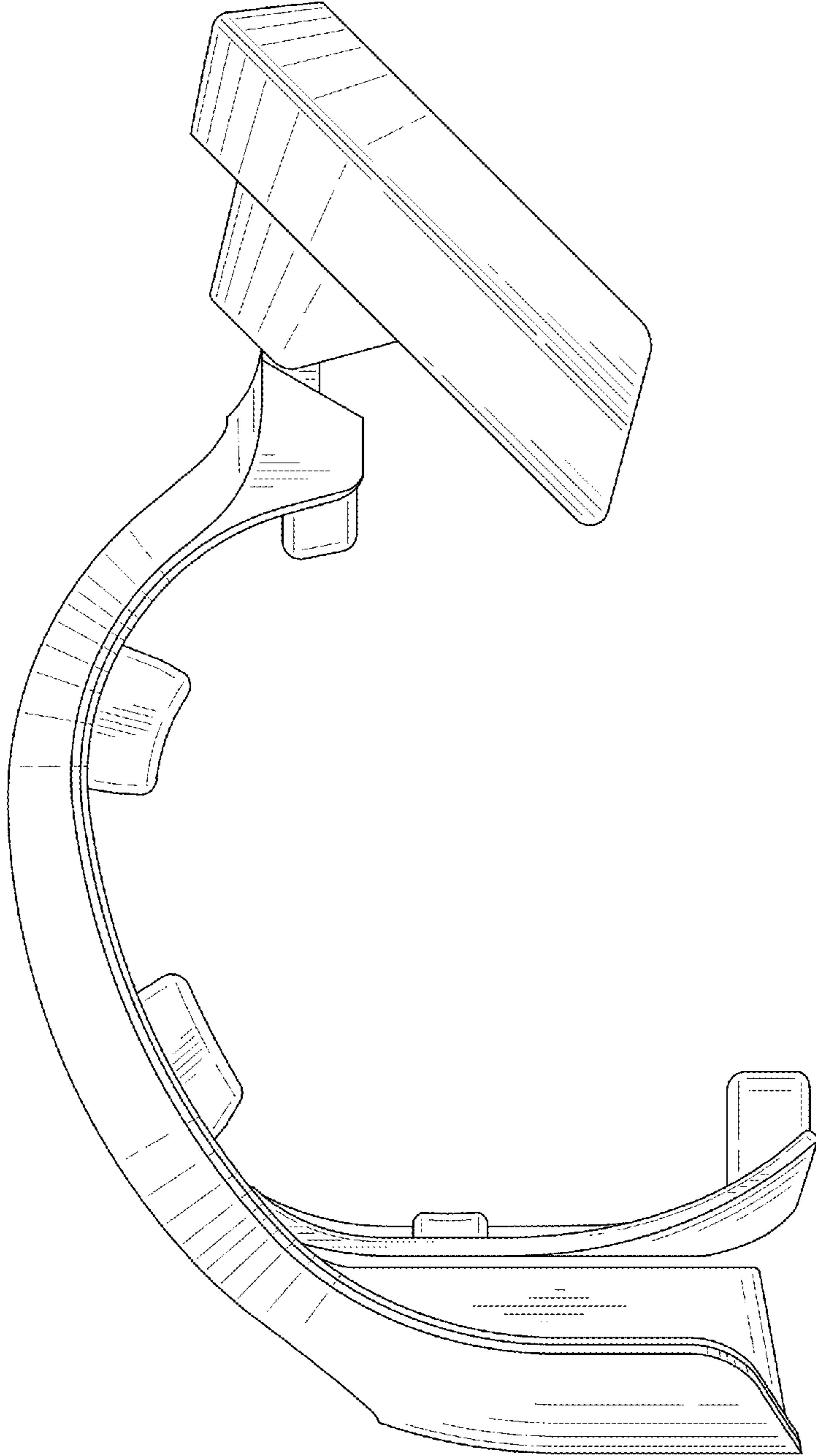


FIG. 10

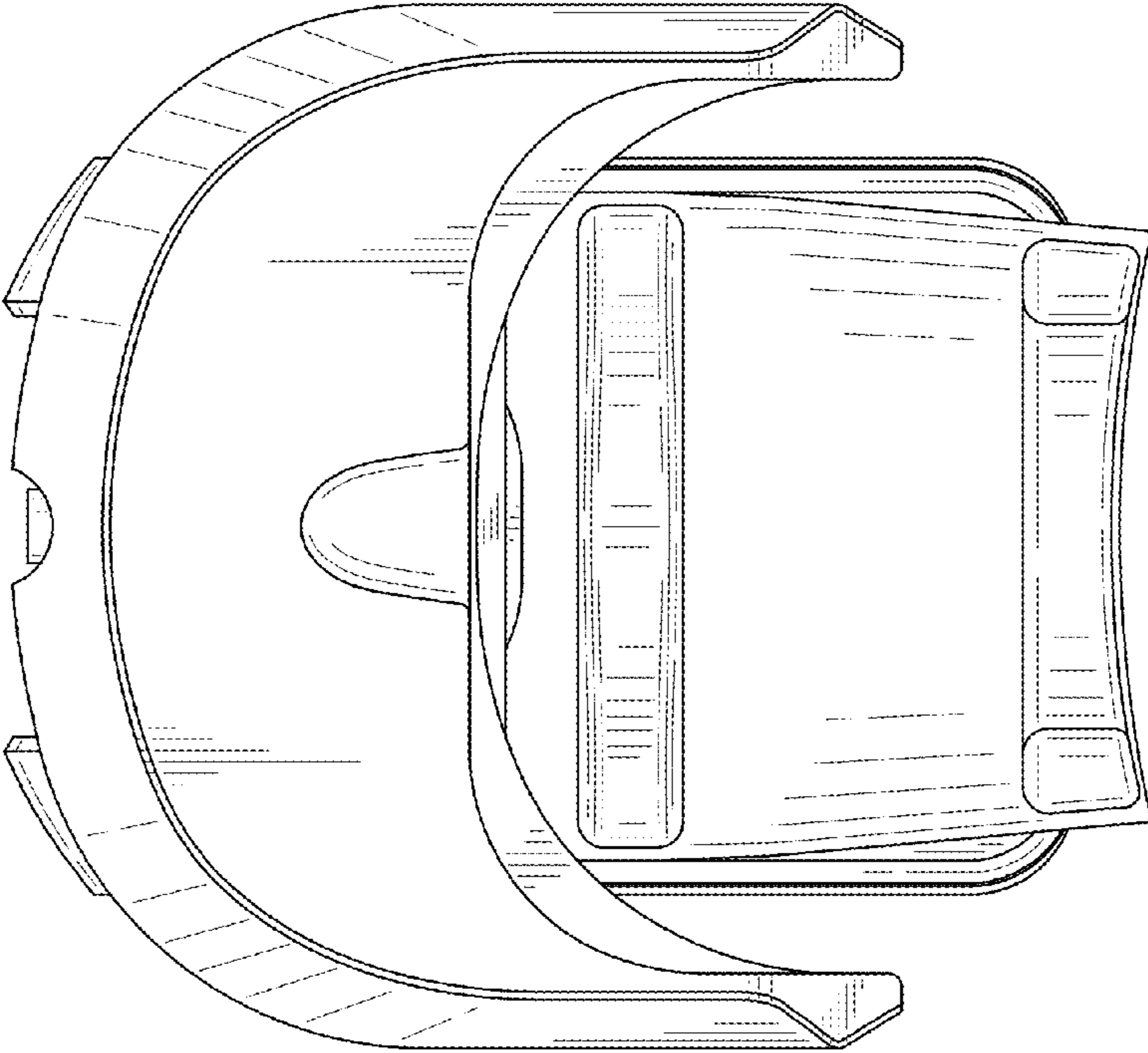


FIG. 11

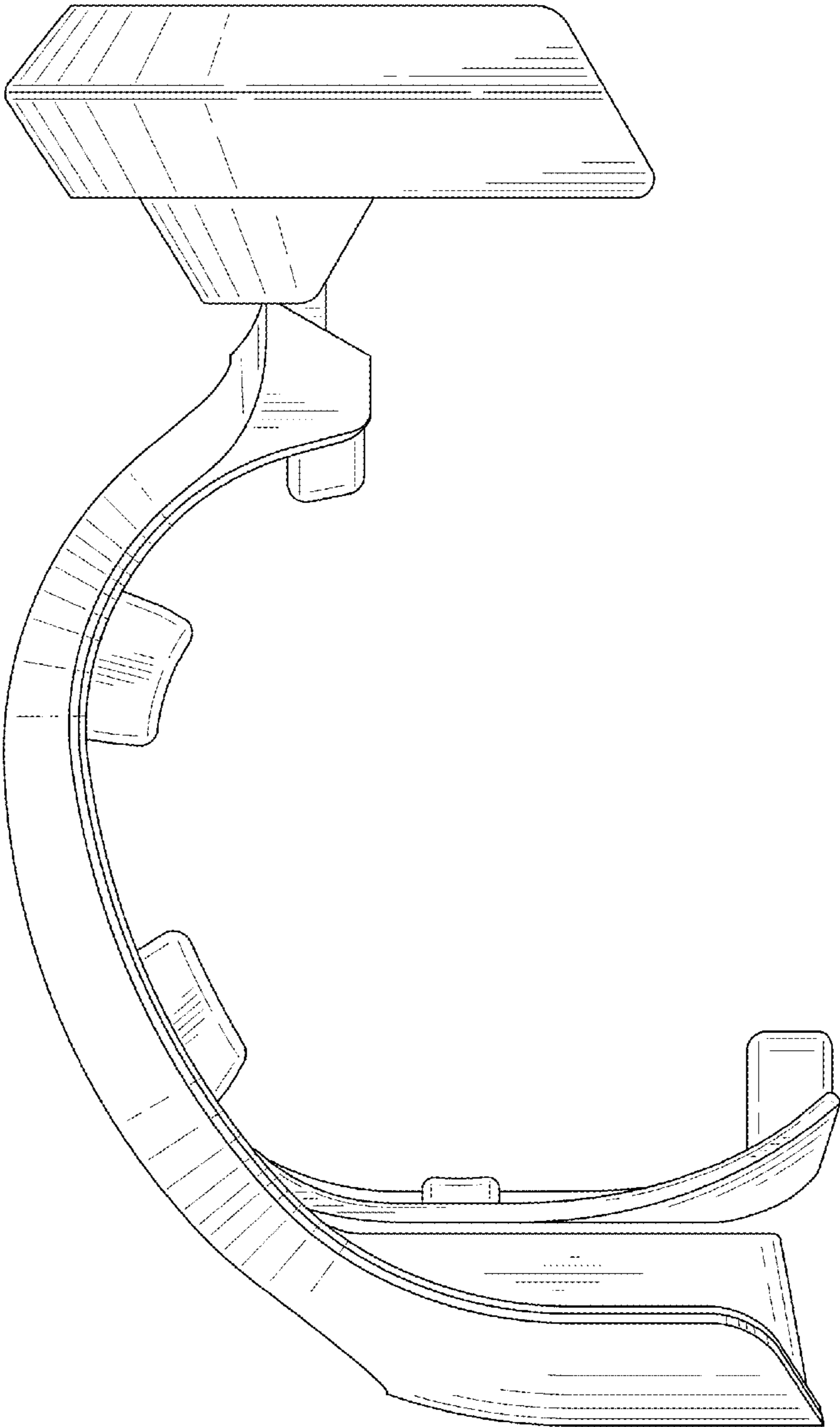


FIG. 12

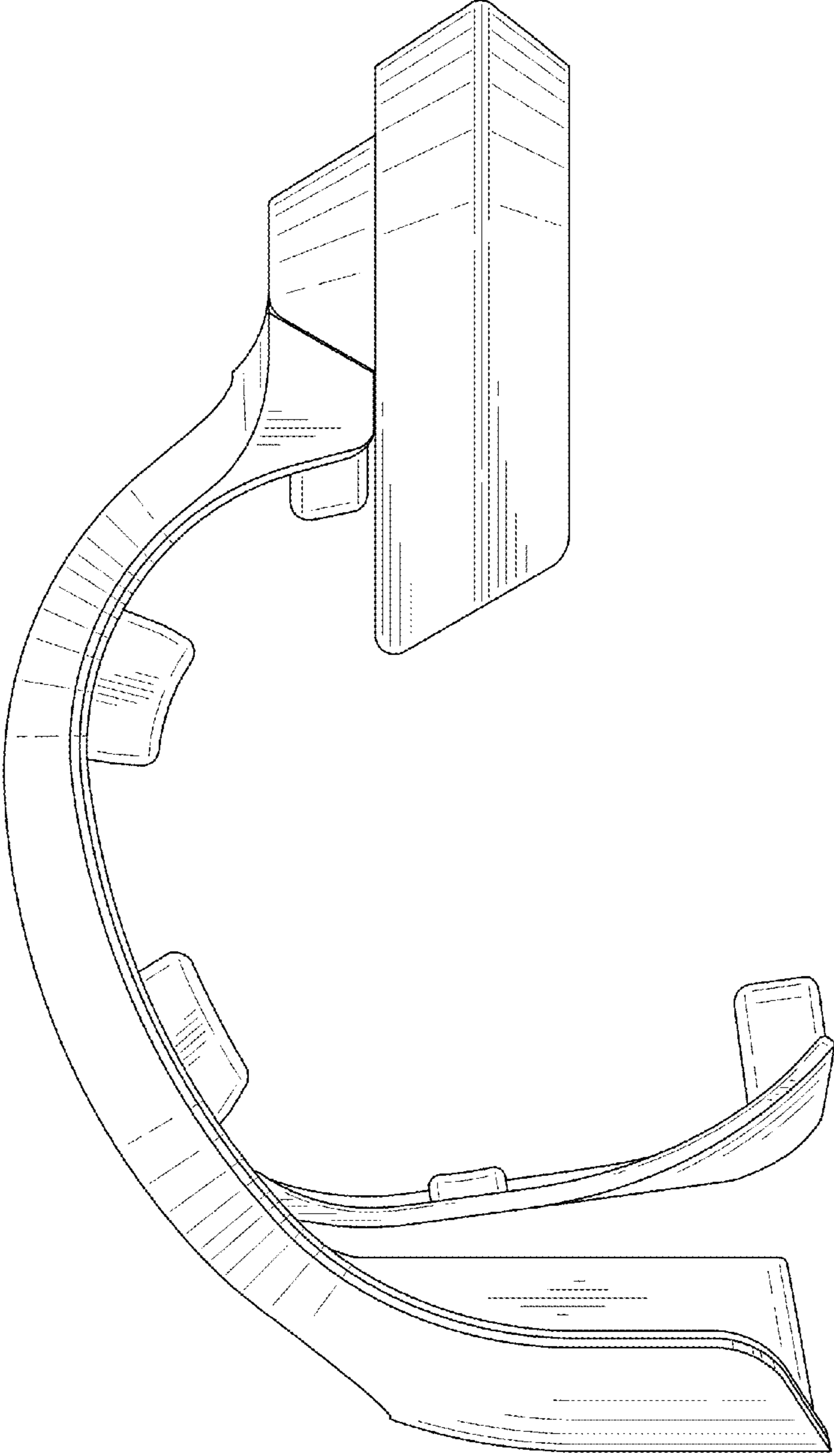


FIG. 13

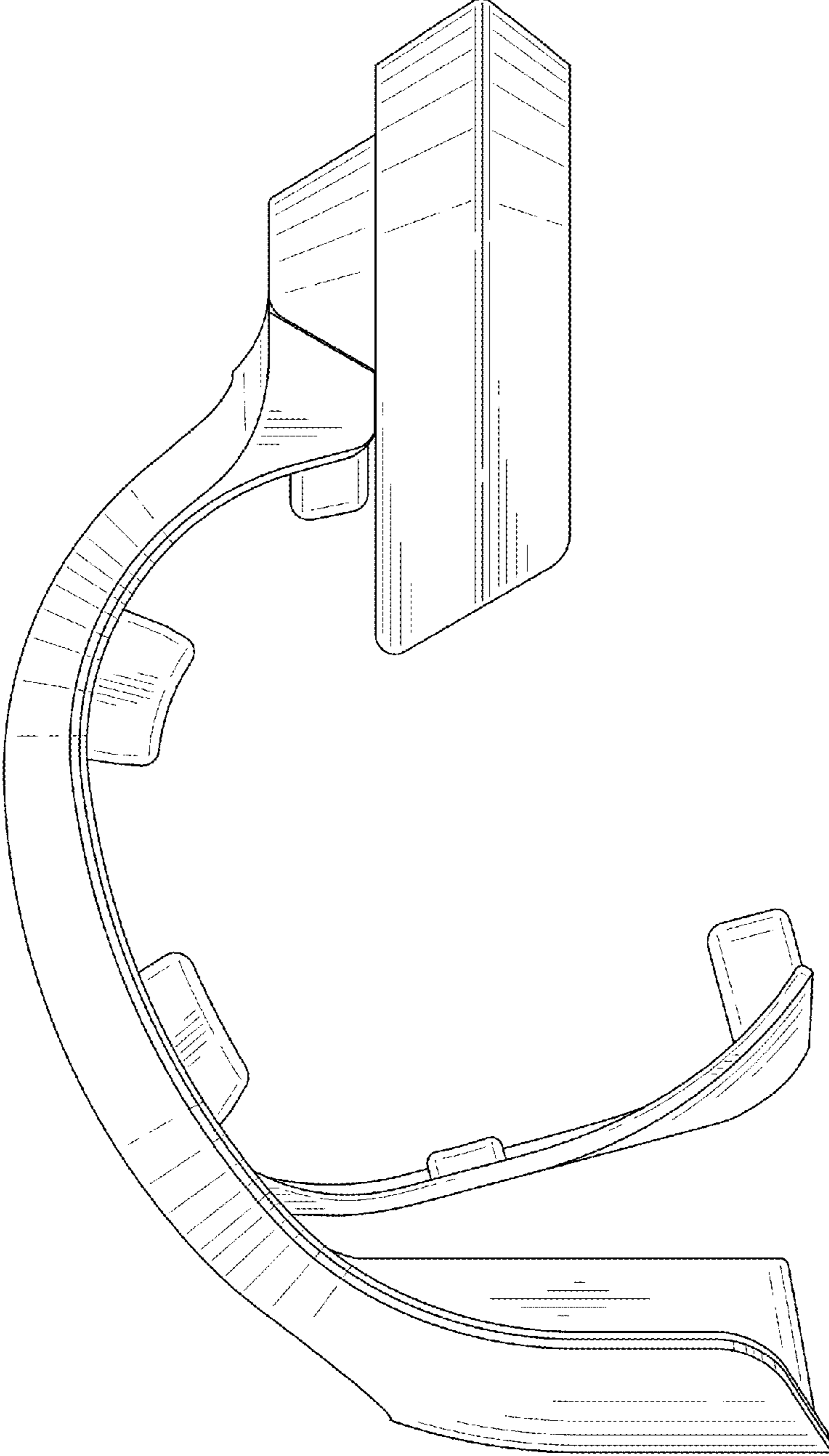


FIG. 14

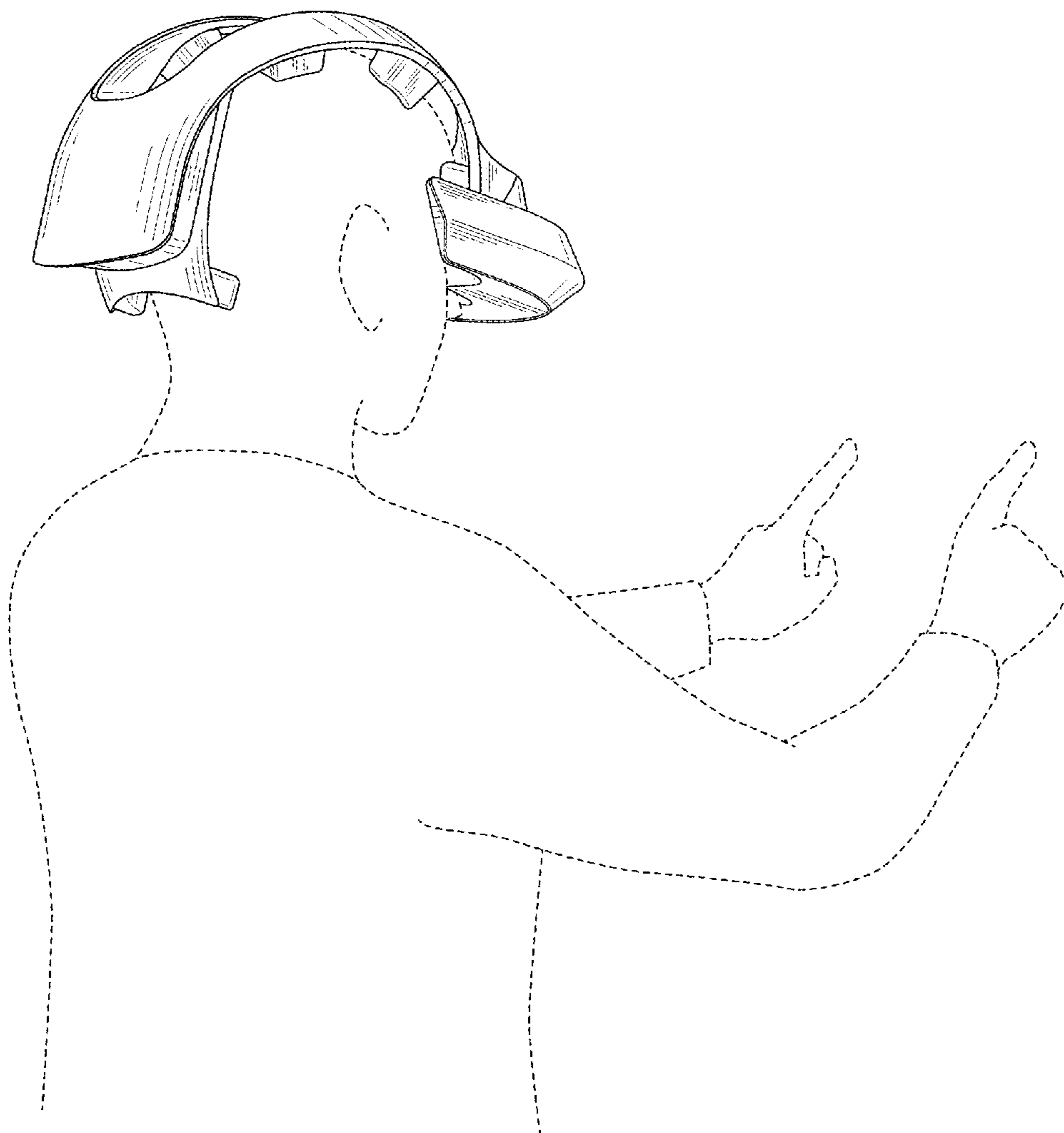


FIG. 15

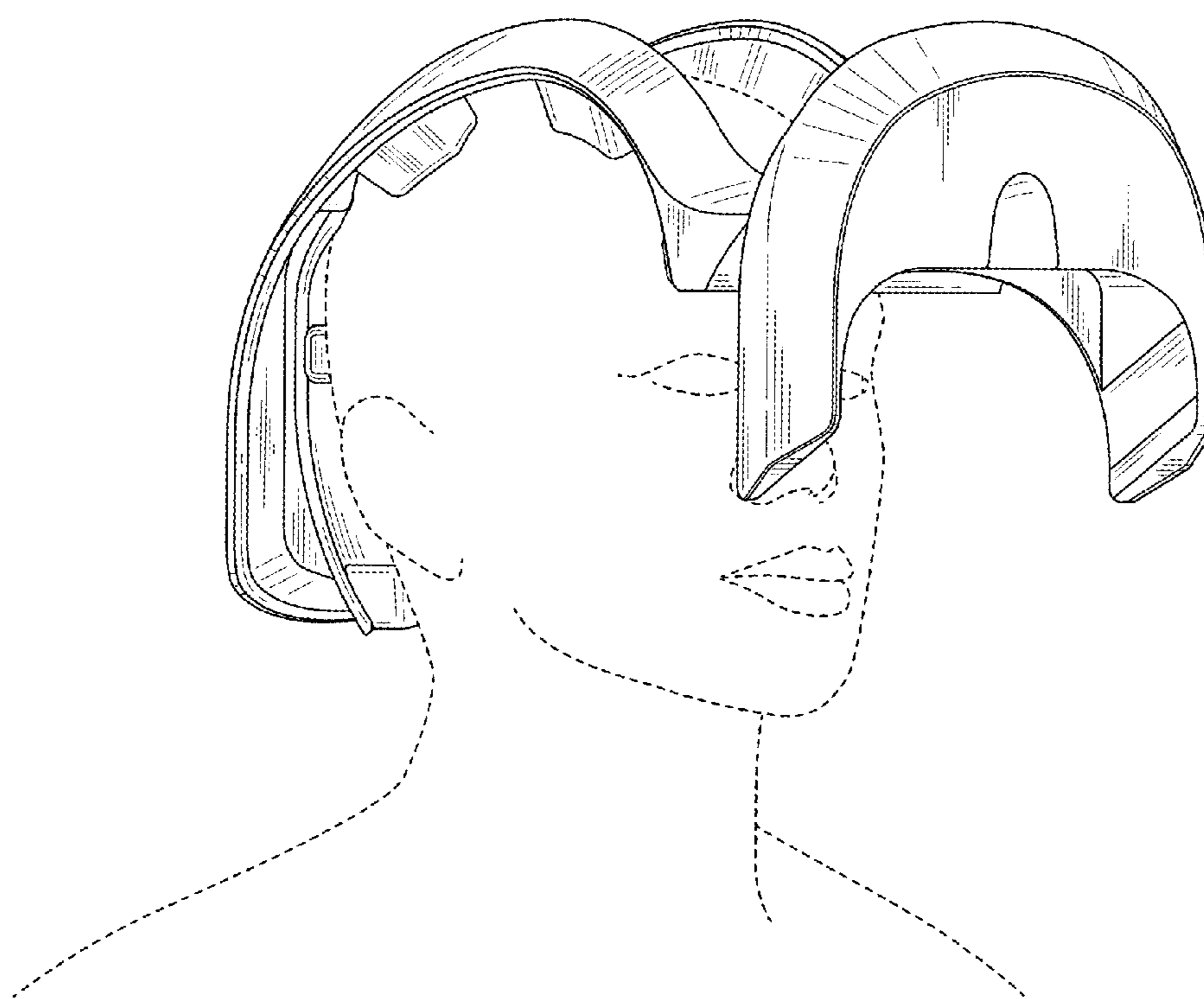


FIG. 16