



US00D761256S

(12) **United States Design Patent**
Lee

(10) **Patent No.:** **US D761,256 S**
(45) **Date of Patent:** **** Jul. 12, 2016**

(54) **ULTRA SLIM DISPLAY**

(71) Applicants: **BOE TECHNOLOGY GROUP CO., LTD.**, Beijing (CN); **K-Tronics (SuZhou) Technology Co., Ltd.**

(72) Inventor: **Cheng-Hsiung Lee**, Beijing (CN)

(73) Assignees: **BOE TECHNOLOGY GROUP CO., LTD.**, Beijing (CN); **K-TRONICS (SUZHOU) TECHNOLOGY CO., LTD.**, Suzhou, Jiangsu Province (CN)

(**) Term: **14 Years**

(21) Appl. No.: **29/514,473**

(22) Filed: **Jan. 13, 2015**

(30) **Foreign Application Priority Data**

Aug. 8, 2014 (CN) 2014 3 0278875

(51) **LOC (10) Cl.** **14-02**

(52) **U.S. Cl.**
USPC **D14/371**

(58) **Field of Classification Search**
USPC D14/371-375, 125-129, 336, 337, 341; 341/12; 345/104, 156, 168, 173; 348/180, 184, 325, 739; 349/1, 2, 11, 349/62; 361/679.05-679.07, 679.21; D6/300, 308
CPC G06F 1/16; G06F 1/1601; G06F 3/037; G06F 1/162; F16M 11/10
See application file for complete search history.

(56) **References Cited**

U.S. PATENT DOCUMENTS

| | | | | |
|-------------------|--------|--------|-------|---------------------------|
| D520,004 S * | 5/2006 | Baek | | D14/375 |
| D704,707 S * | 5/2014 | Huh | | D14/374 |
| D708,614 S * | 7/2014 | Huh | | D14/374 |
| 2011/0096486 A1 * | 4/2011 | Oh | | F16M 11/10 361/679.21 |
| 2012/0155004 A1 * | 6/2012 | Yukawa | | G06F 1/1601 361/679.21 |

* cited by examiner

Primary Examiner — Freda S Nunn

(74) *Attorney, Agent, or Firm* — Nath Goldberg & Meyer; Joshua B. Goldberg; Christopher Thomas

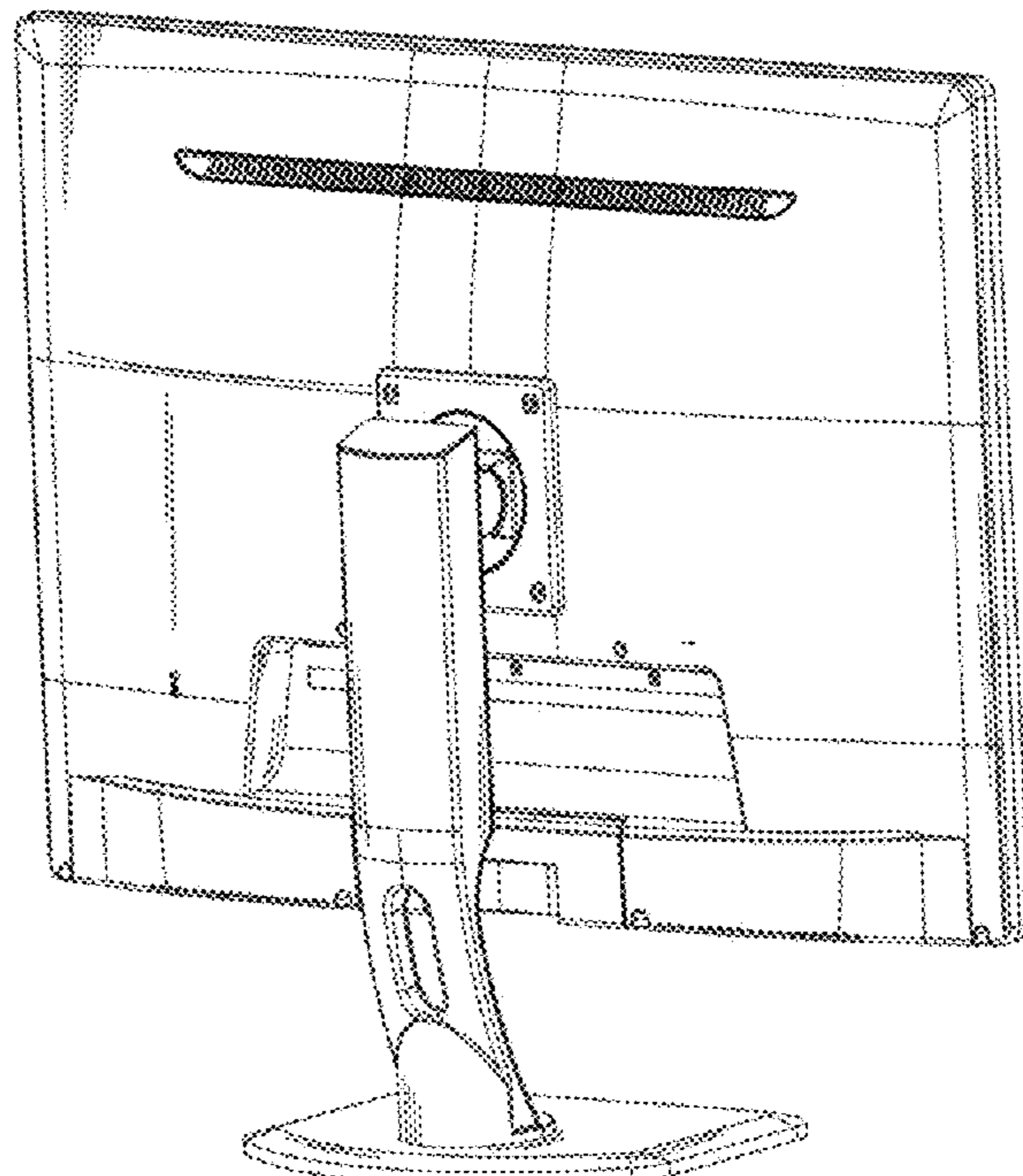
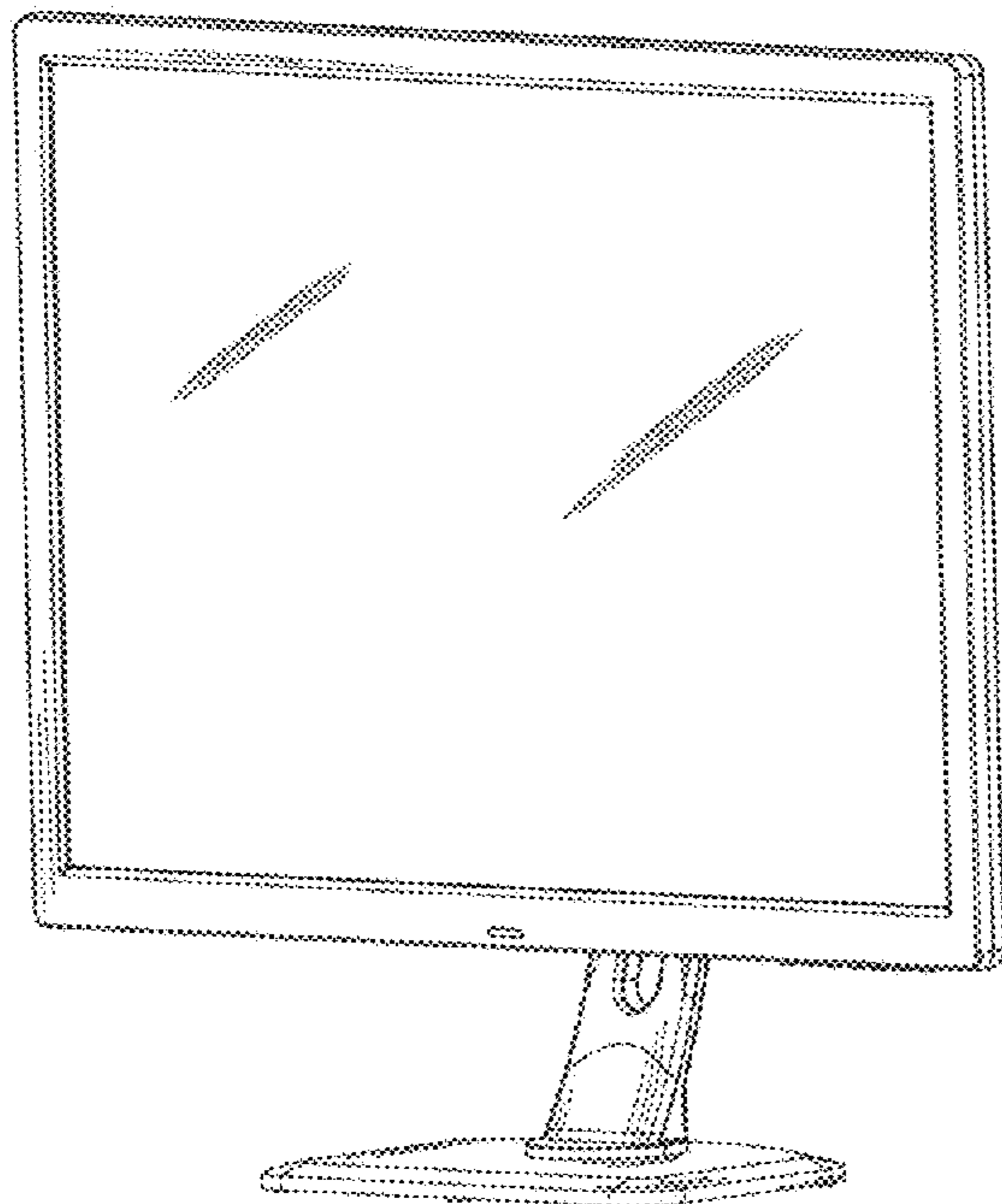
(57) **CLAIM**

The ornamental design for an ultra slim display, as shown and described.

DESCRIPTION

FIG. 1 is a front view of an ultra slim display;
FIG. 2 is a rear view thereof;
FIG. 3 is a left side view thereof;
FIG. 4 is a right side view thereof;
FIG. 5 is a top view thereof;
FIG. 6 is a bottom view thereof;
FIG. 7 is a front perspective view thereof; and,
FIG. 8 is a rear perspective view thereof.

1 Claim, 8 Drawing Sheets



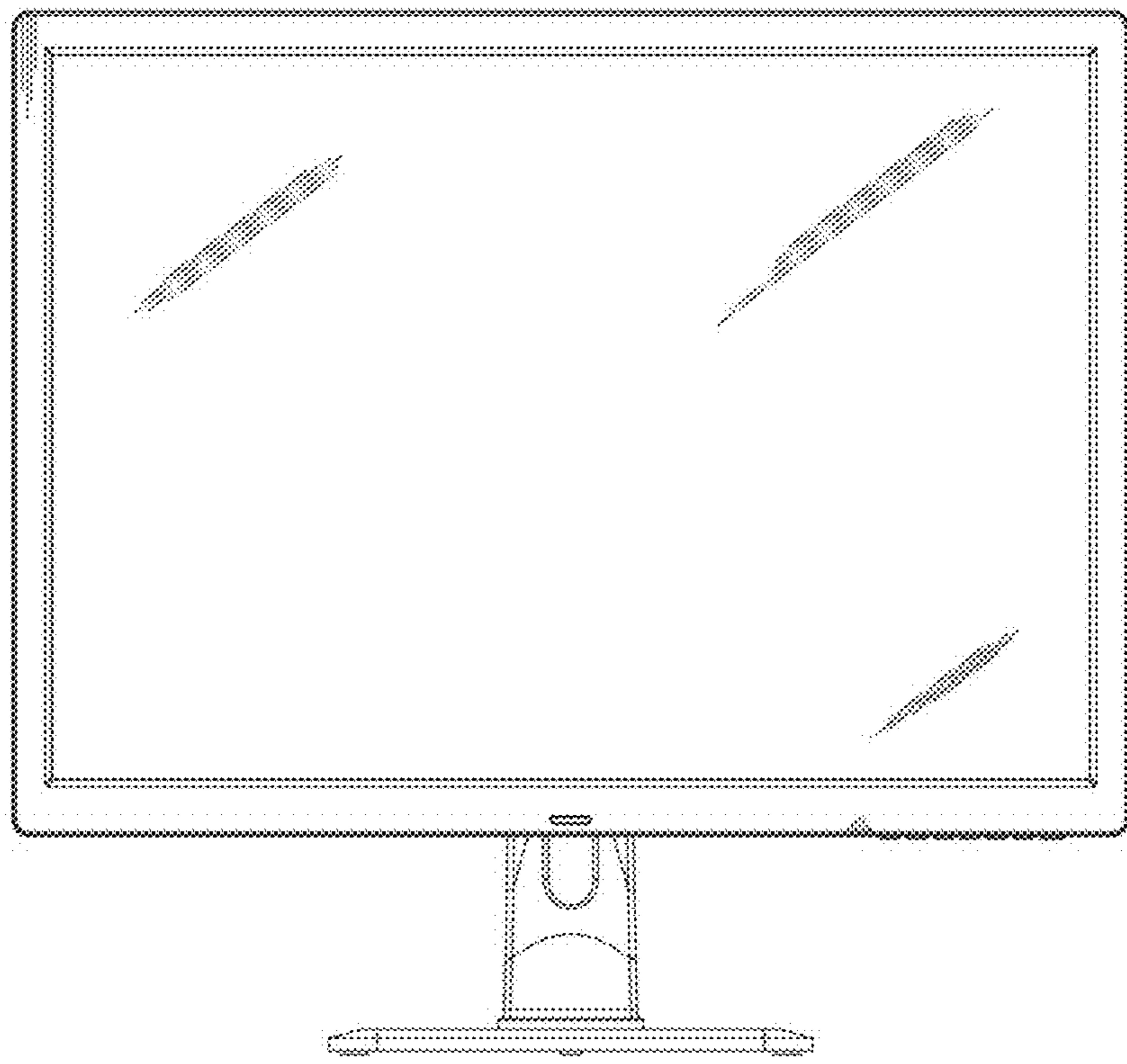


Fig. 1

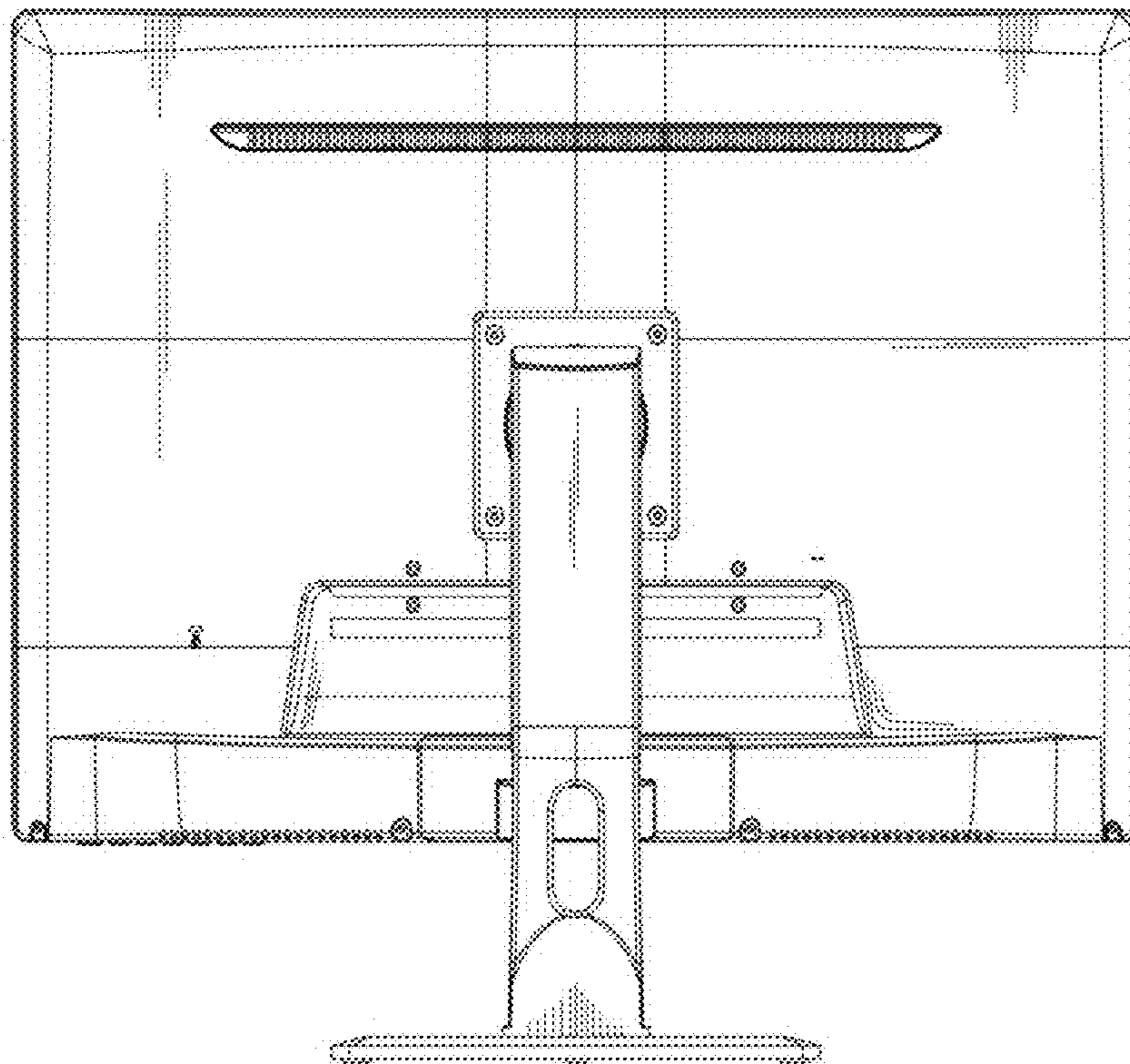


Fig. 2

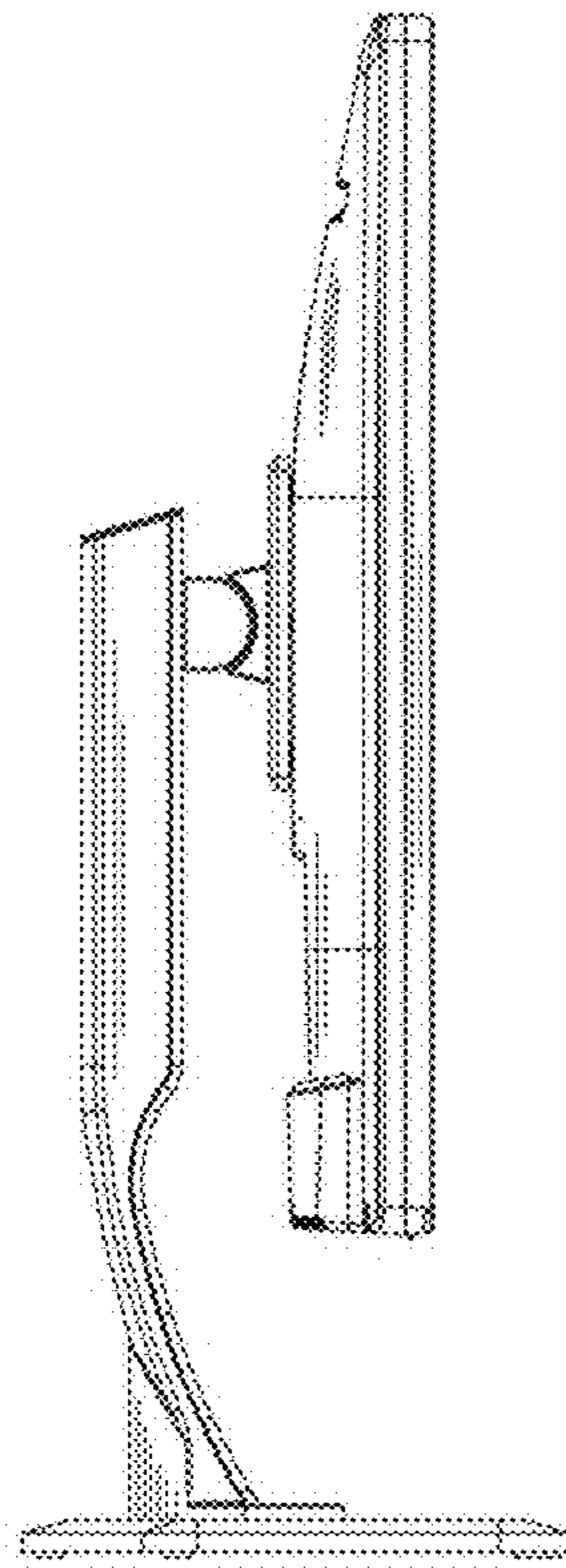


Fig. 3

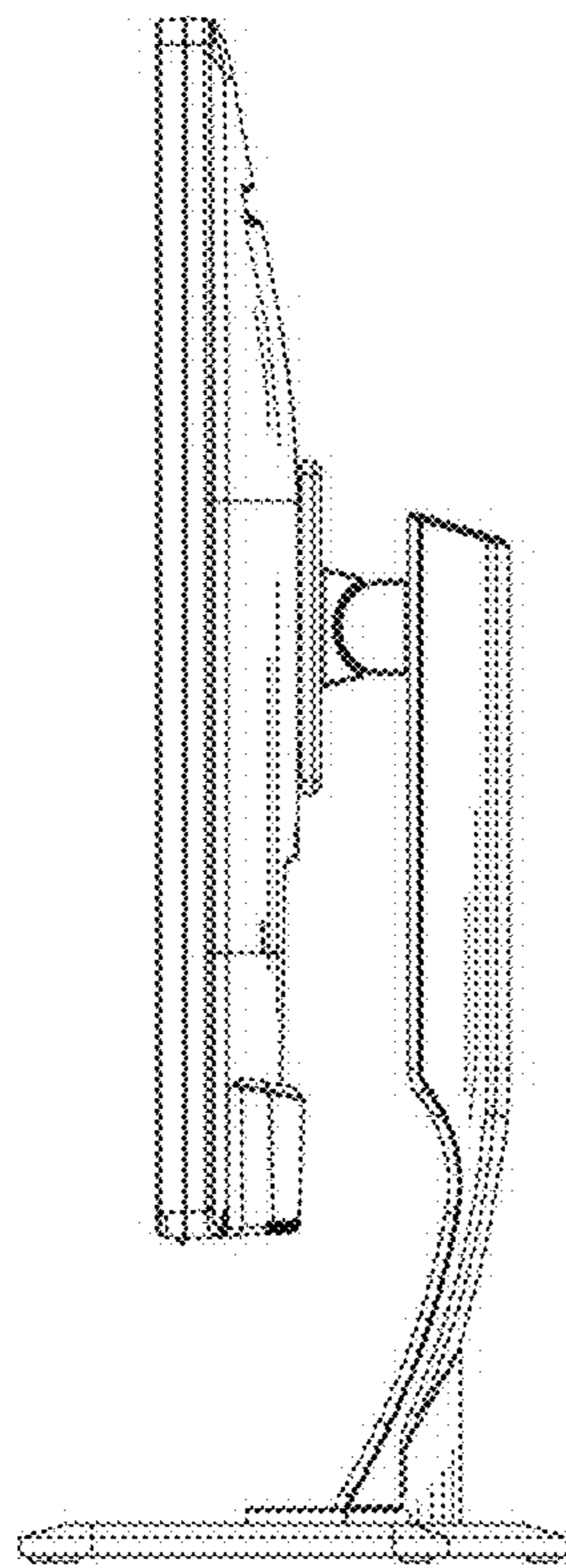


Fig.4

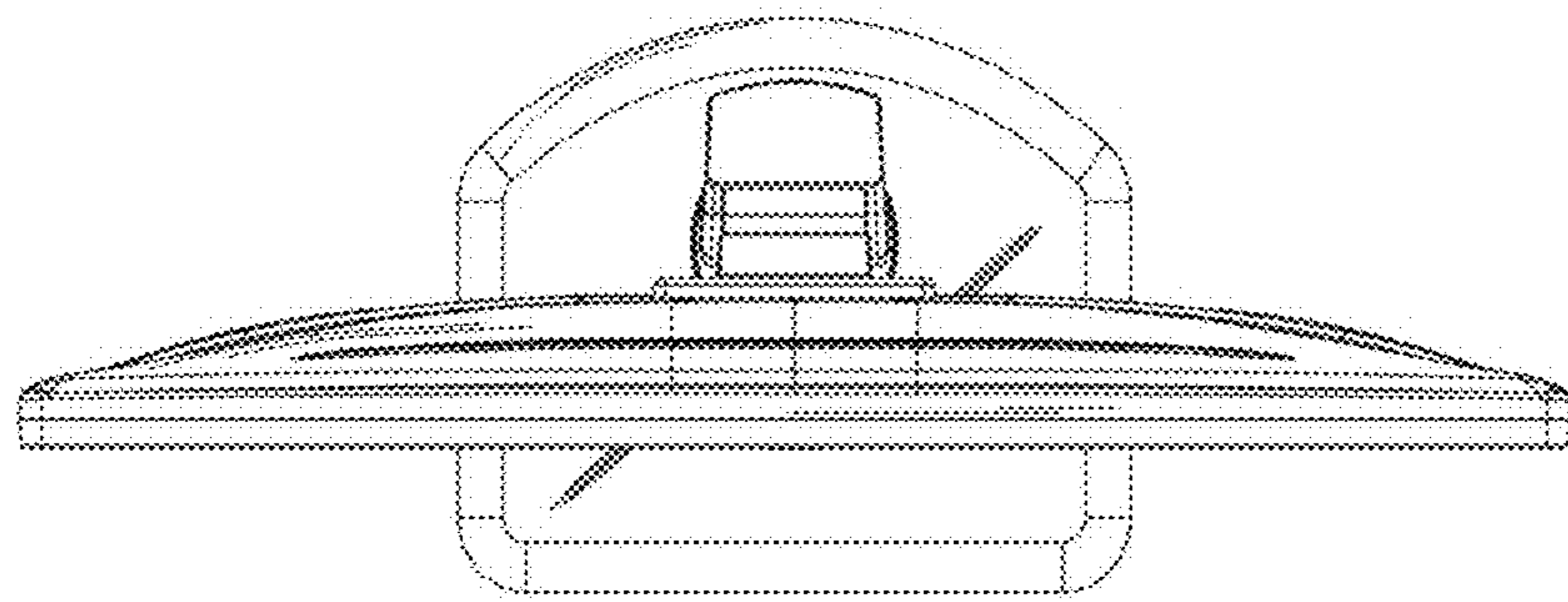


Fig. 5

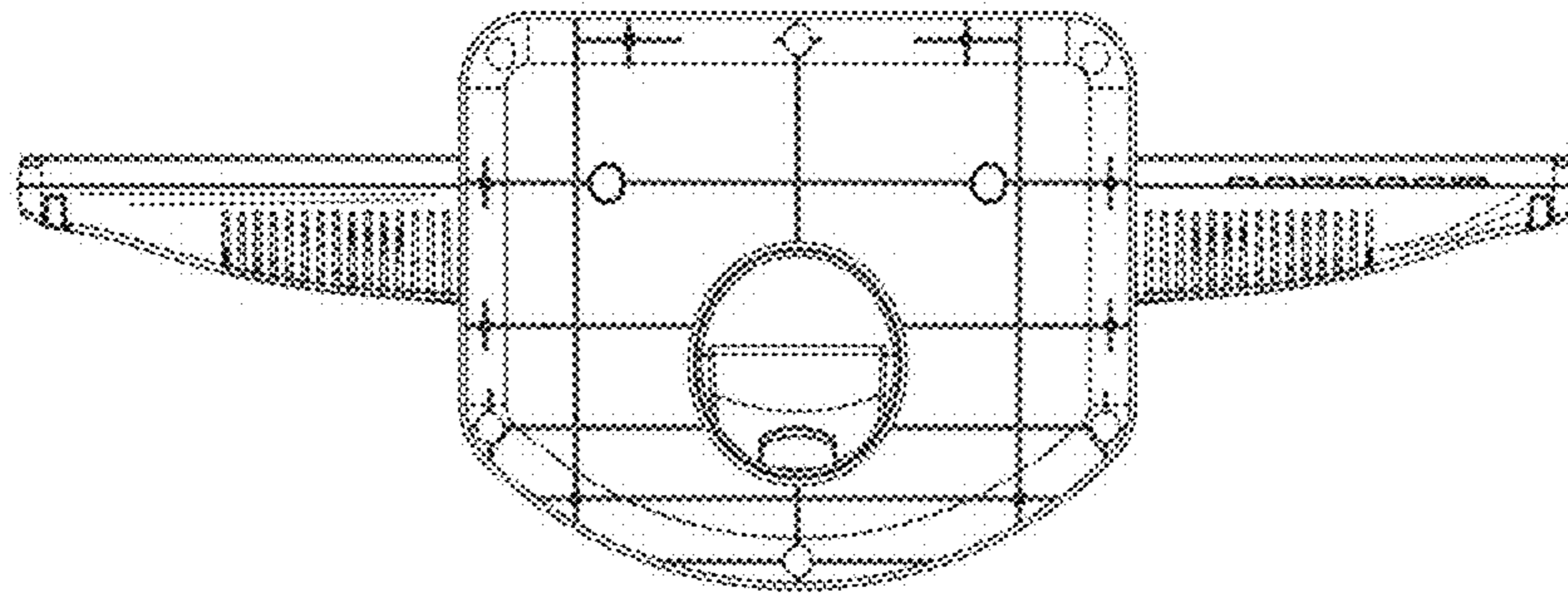


Fig. 6

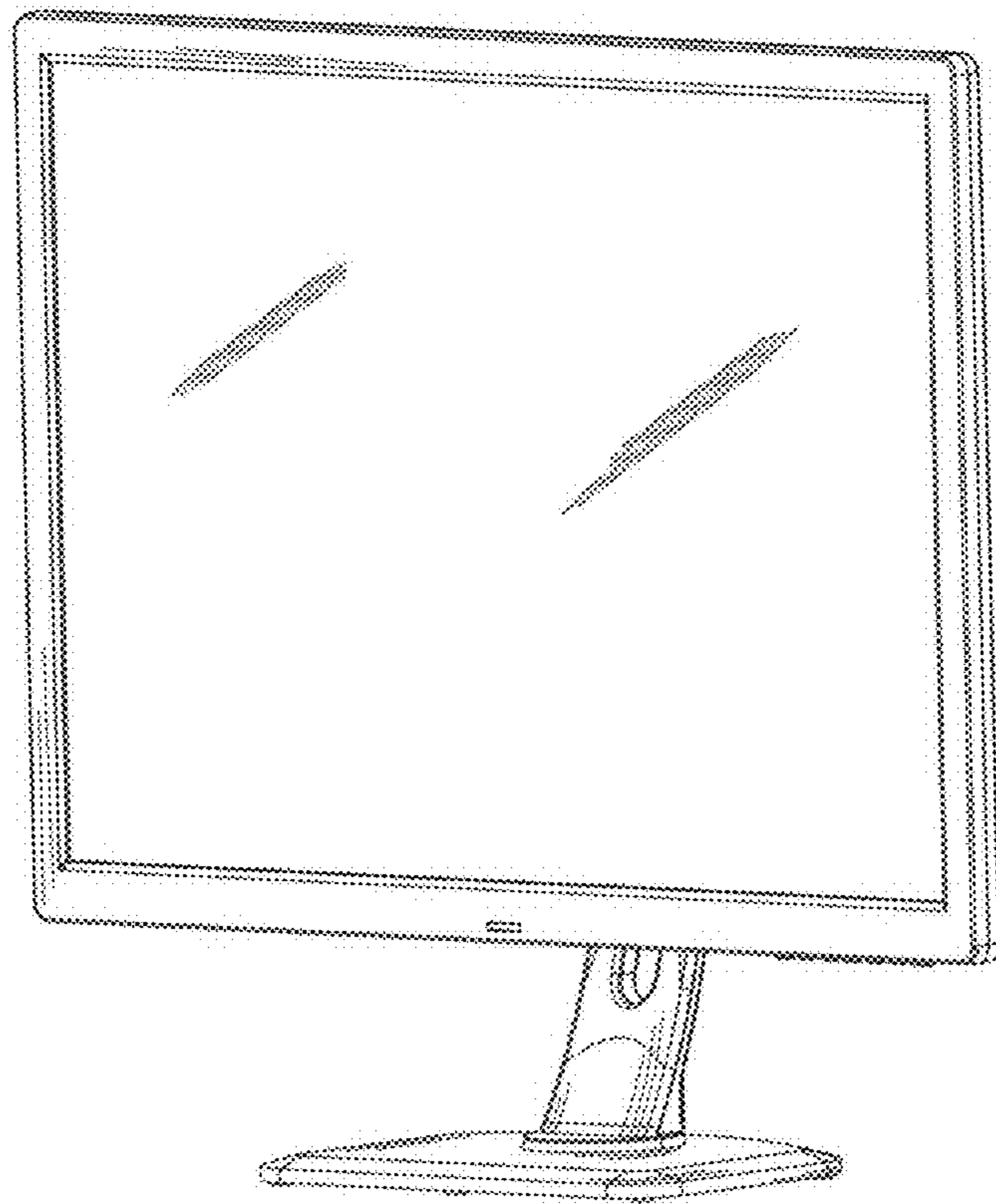


Fig. 7

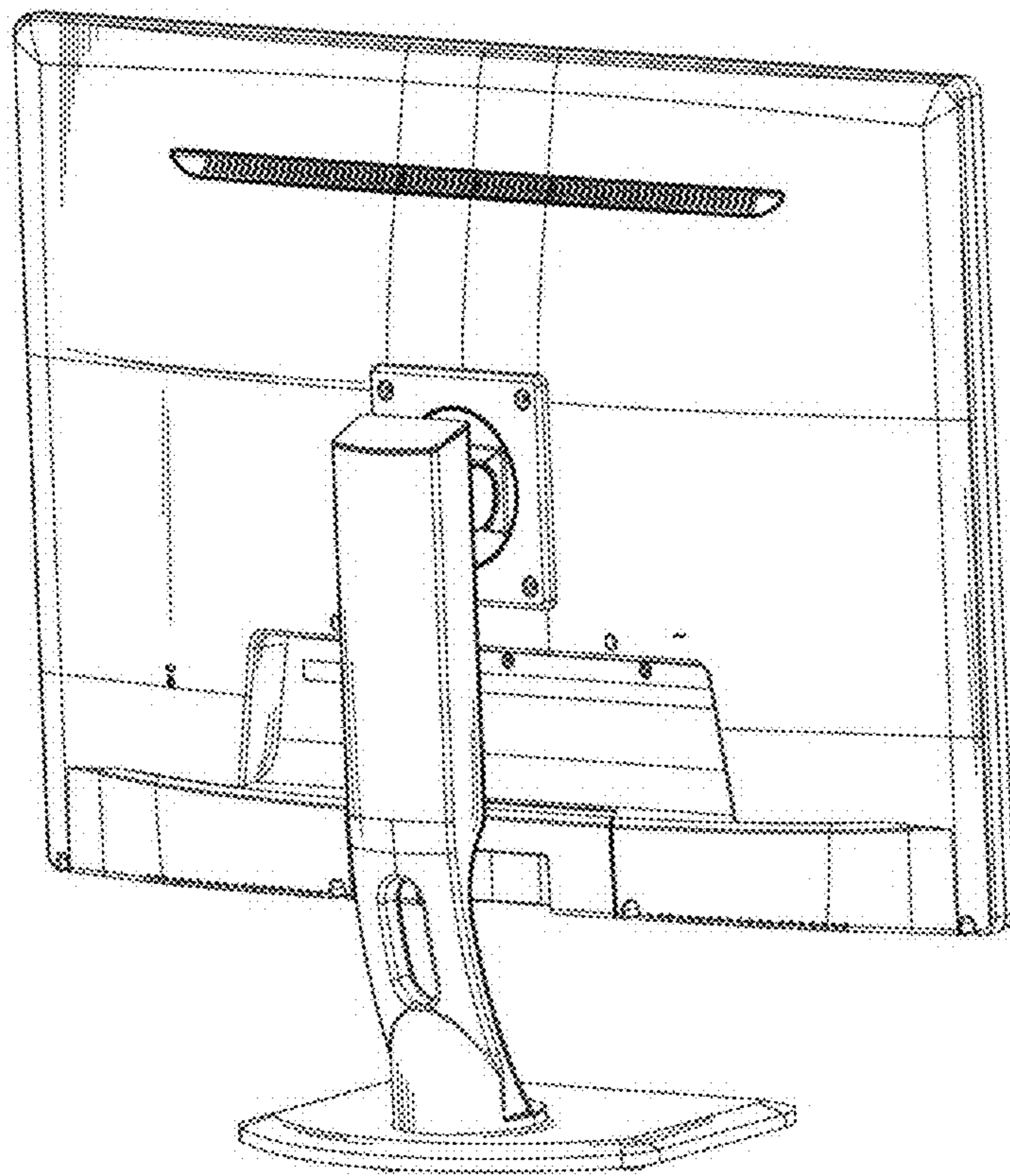


Fig. 8