



US00D761255S

(12) **United States Design Patent**
Takano et al.

(10) **Patent No.:** **US D761,255 S**
(45) **Date of Patent:** **** Jul. 12, 2016**

(54) **COMMUNICATION DATA REPEATER**

(56) **References Cited**

(71) Applicant: **YOKOGAWA ELECTRIC CORPORATION**, Musashino-shi, Tokyo (JP)

U.S. PATENT DOCUMENTS

(72) Inventors: **Naoto Takano**, Musashino (JP); **Noriaki Senba**, Musashino (JP); **Tsuyoshi Kato**, Musashino (JP); **Eiichi Noda**, Musashino (JP)

D365,348 S *	12/1995	Card	D13/184
D399,500 S *	10/1998	Ikenaga	D14/368
D411,185 S *	6/1999	Isshiki	D14/358
D417,223 S *	11/1999	Groves	D14/125
D458,924 S *	6/2002	Tsuyuki	D14/356
D459,319 S *	6/2002	Ahn	D14/125
D476,990 S *	7/2003	Lee	D14/363
D480,724 S *	10/2003	Nishi	D14/358
D559,844 S *	1/2008	Slotin	D14/300
D647,521 S *	10/2011	Takeda	D14/300
D671,925 S *	12/2012	Tsuda	D14/240
D717,297 S *	11/2014	Koberling	D14/349
D718,733 S *	12/2014	Kishita	D14/140.2
D728,539 S *	5/2015	Dubrulle	D14/240
D728,556 S *	5/2015	Kishita	D14/300
D729,225 S *	5/2015	Kishita	D14/300

(73) Assignee: **YOKOGAWA ELECTRIC CORPORATION**, Tokyo (JP)

(**) Term: **14 Years**

* cited by examiner

(21) Appl. No.: **29/497,508**

Primary Examiner — Rosemary K Tarcza
Assistant Examiner — Nathaniel D Buckner
(74) *Attorney, Agent, or Firm* — Sughrue Mion, PLLC

(22) Filed: **Jul. 25, 2014**

(30) **Foreign Application Priority Data**

(57) **CLAIM**

The ornamental design for a communication data repeater, as shown and described.

Jan. 29, 2014 (JP) 2014-001706

DESCRIPTION

(51) **LOC (10) CL.** **08-05**

(52) **U.S. Cl.**
USPC **D14/358**

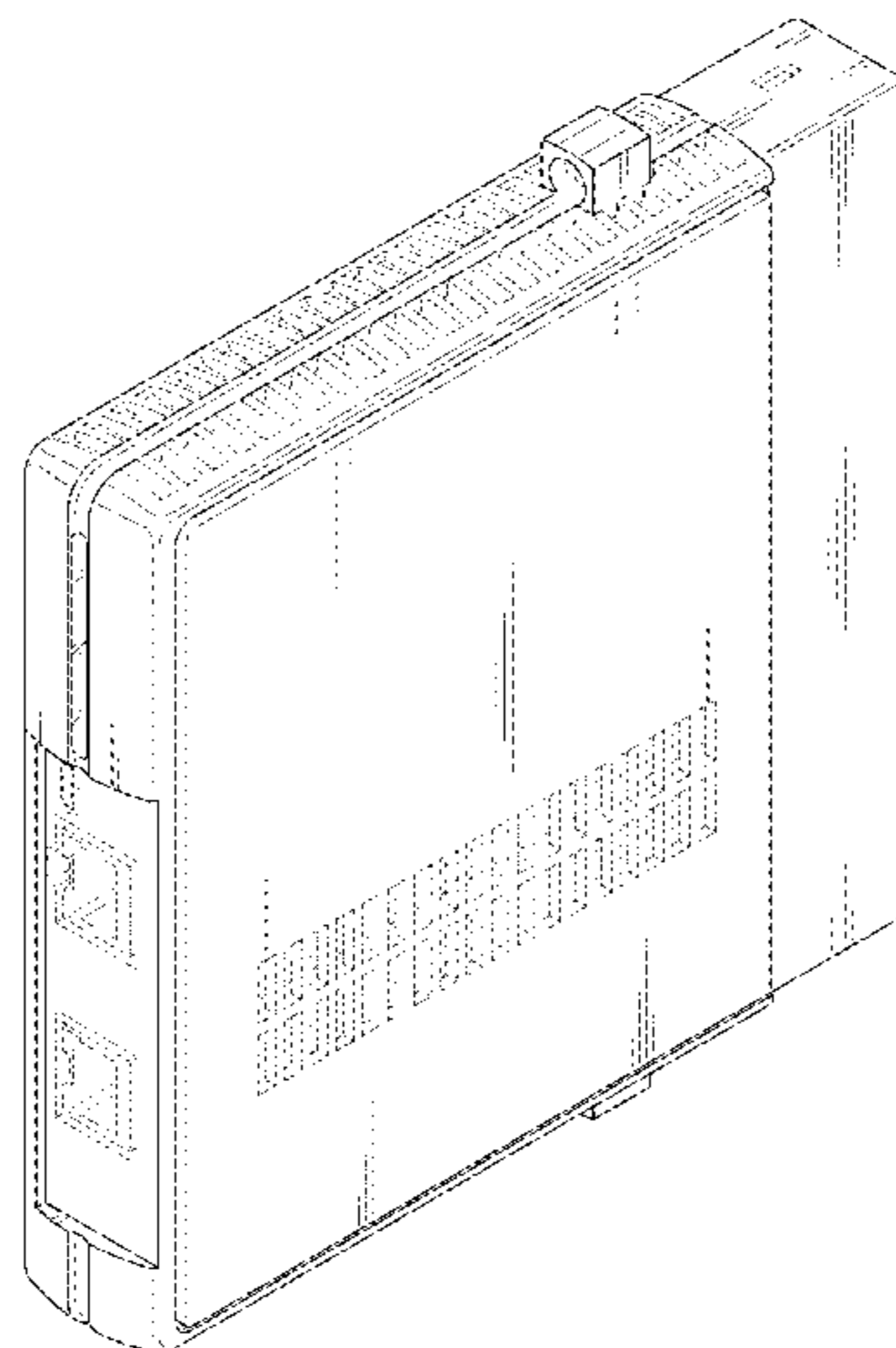
(58) **Field of Classification Search**
USPC D14/300–302, 314, 348–370, 383–385, D14/435, 496, 125, 135, 155, 240–242, D14/299; D13/103, 119, 162, 184, 199, D13/147, 158, 123; D10/65, 75, 78; D9/432; D3/273

CPC H01R 4/32; H01R 4/60; H01R 4/36; H01R 11/12; H01R 4/363; H01R 4/366; H01R 4/301; G11B 33/027; G11B 33/122; G11B 33/124; G11B 33/022; G11B 33/025

See application file for complete search history.

FIG. 1 is a front perspective view of a communication data repeater showing our new design;
FIG. 2 is a front view thereof;
FIG. 3 is a rear view thereof;
FIG. 4 is a left side view thereof;
FIG. 5 is a right side view thereof;
FIG. 6 is a top view thereof;
FIG. 7 is a bottom view thereof; and,
FIG. 8 is a perspective view thereof in use.
The broken lines shown are included for the purpose of illustrating the unclaimed portions of the communication data repeater and form no part of the claimed design.

1 Claim, 6 Drawing Sheets



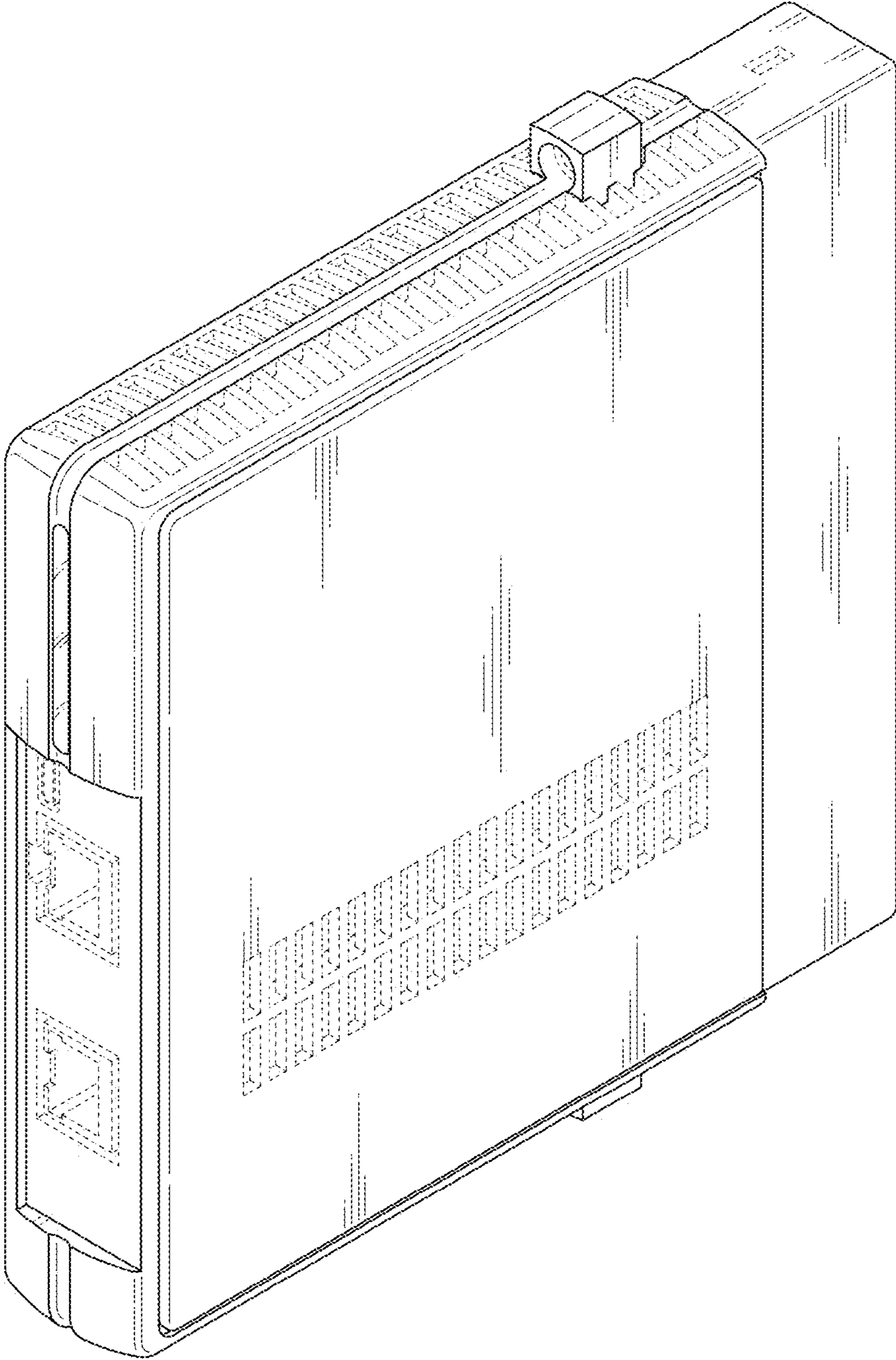


FIG. 1

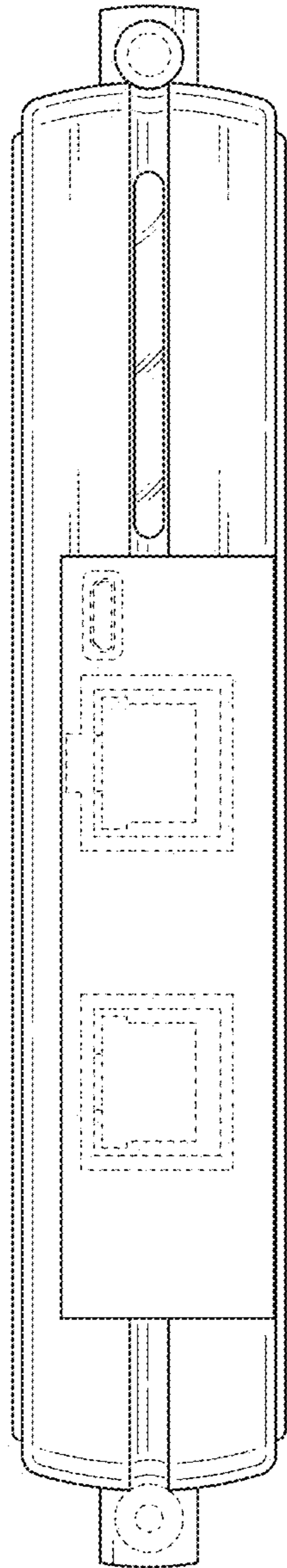


FIG. 2

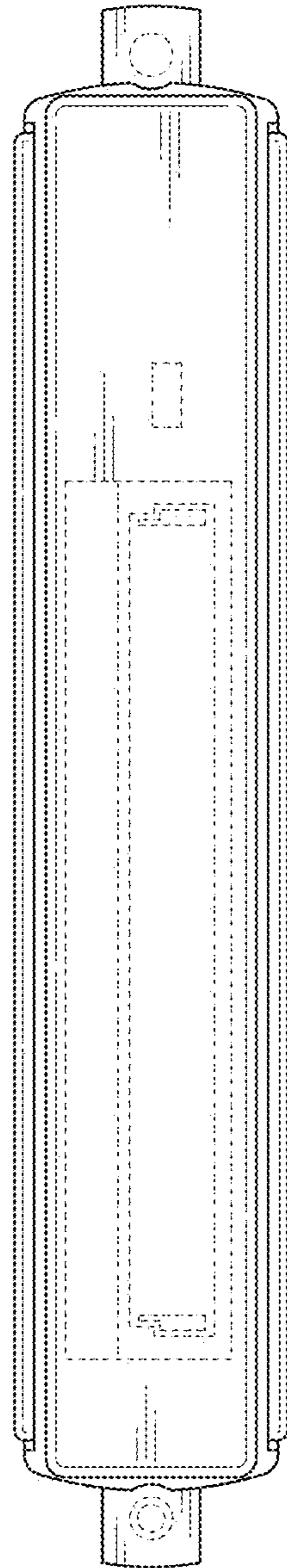


FIG. 3

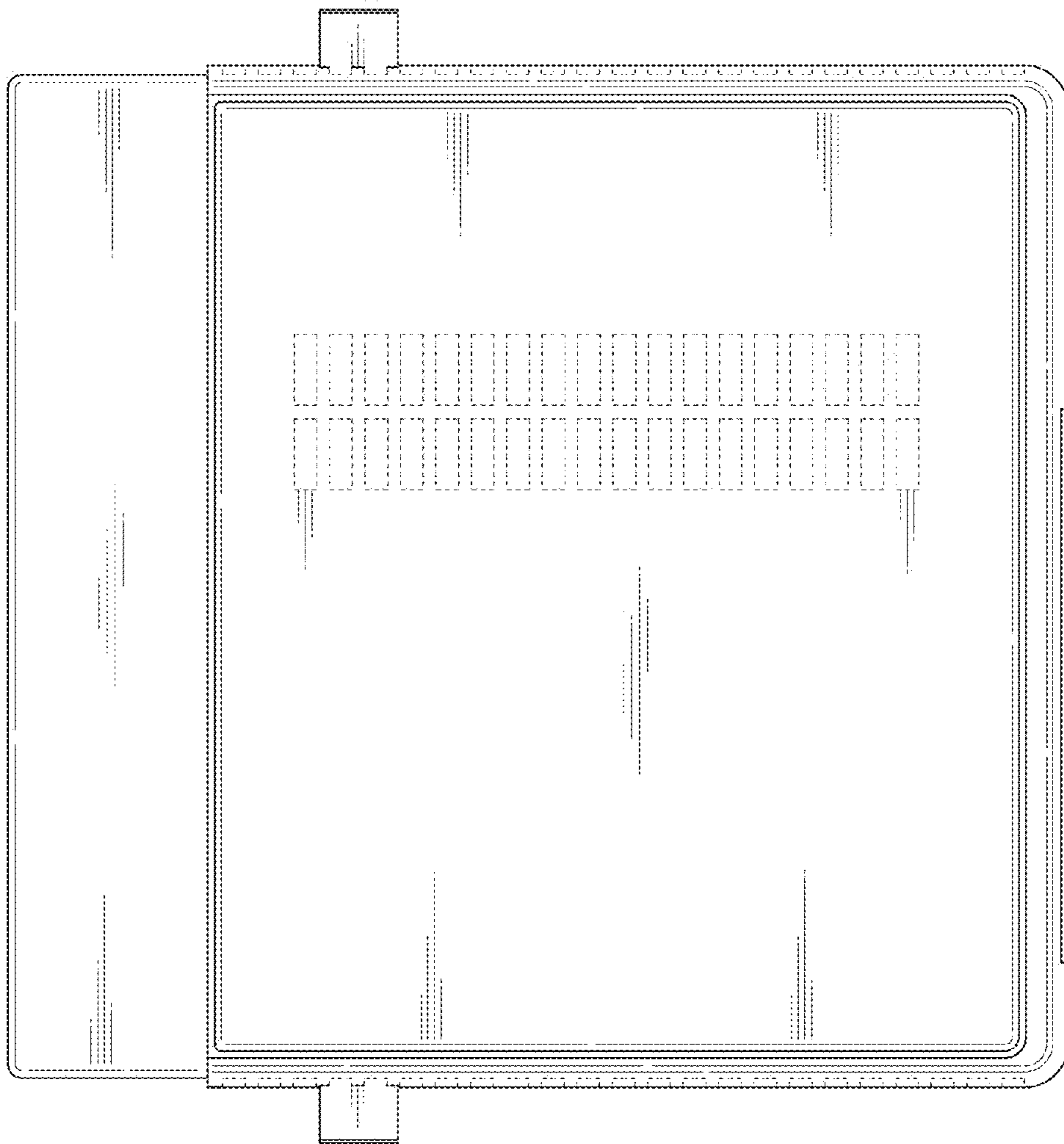


FIG. 4

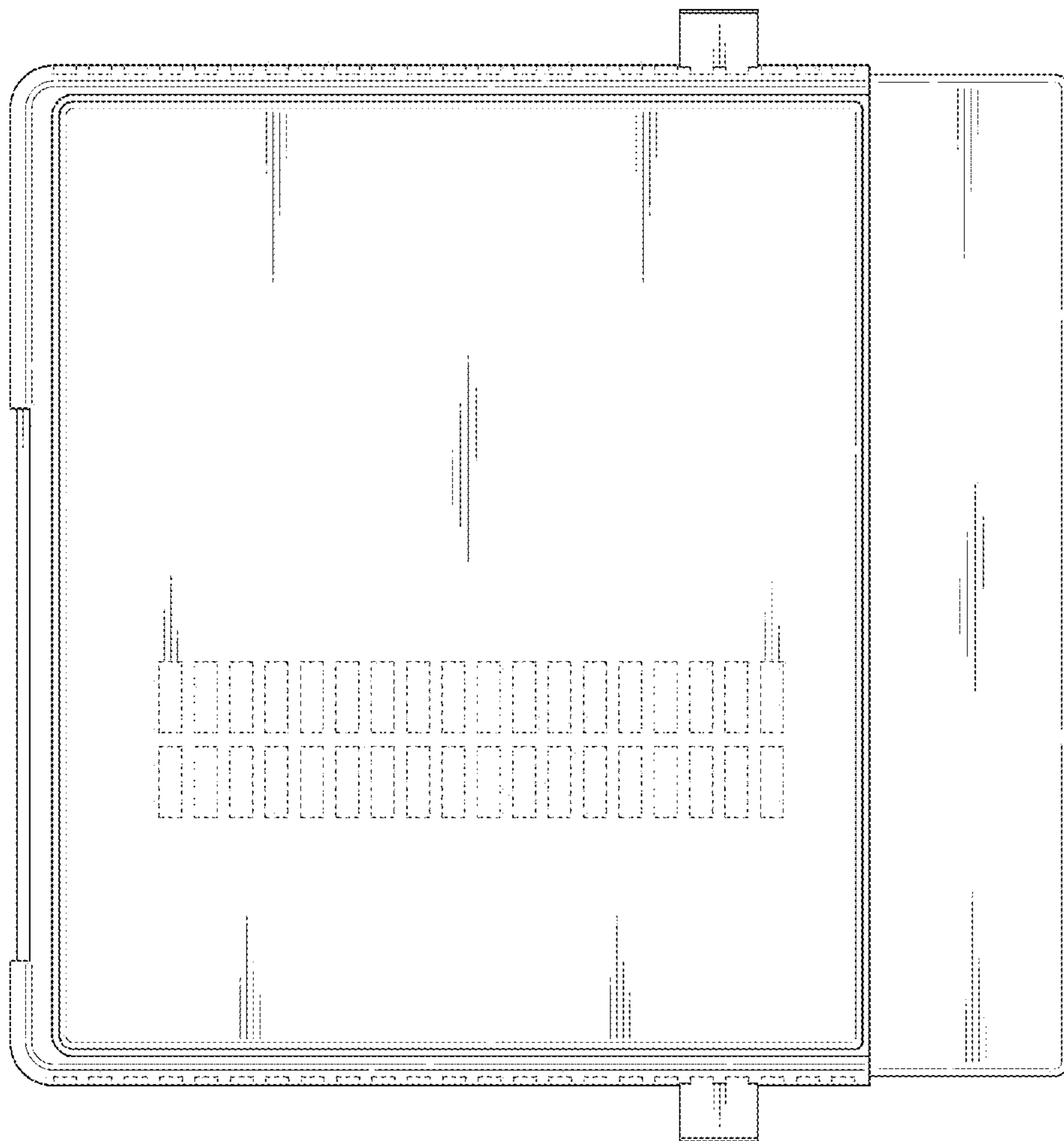


FIG. 5

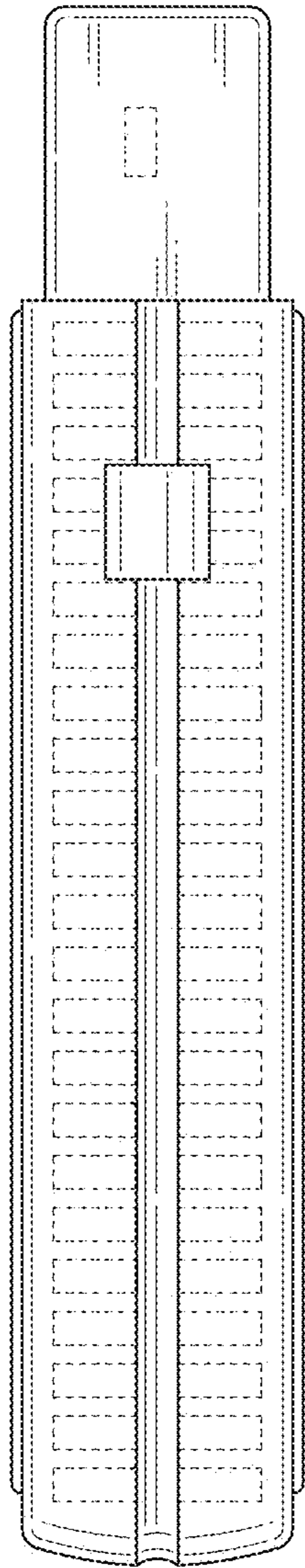


FIG. 6

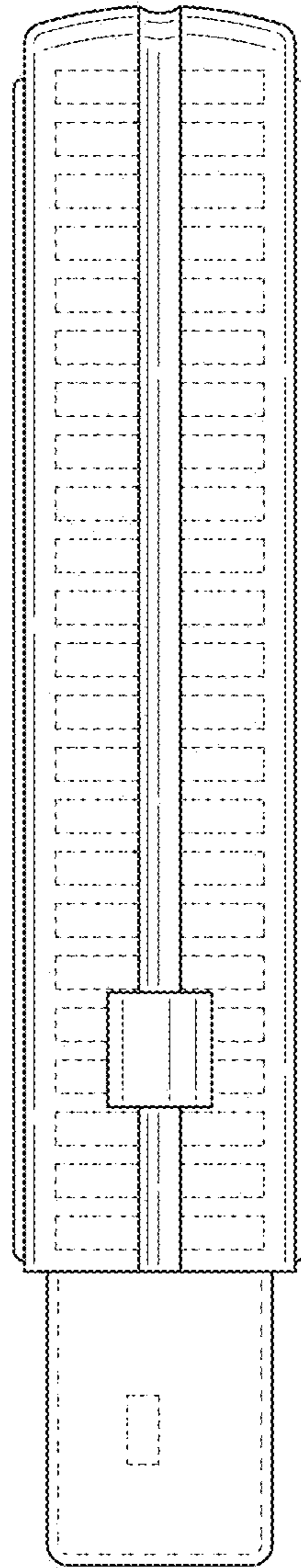


FIG. 7

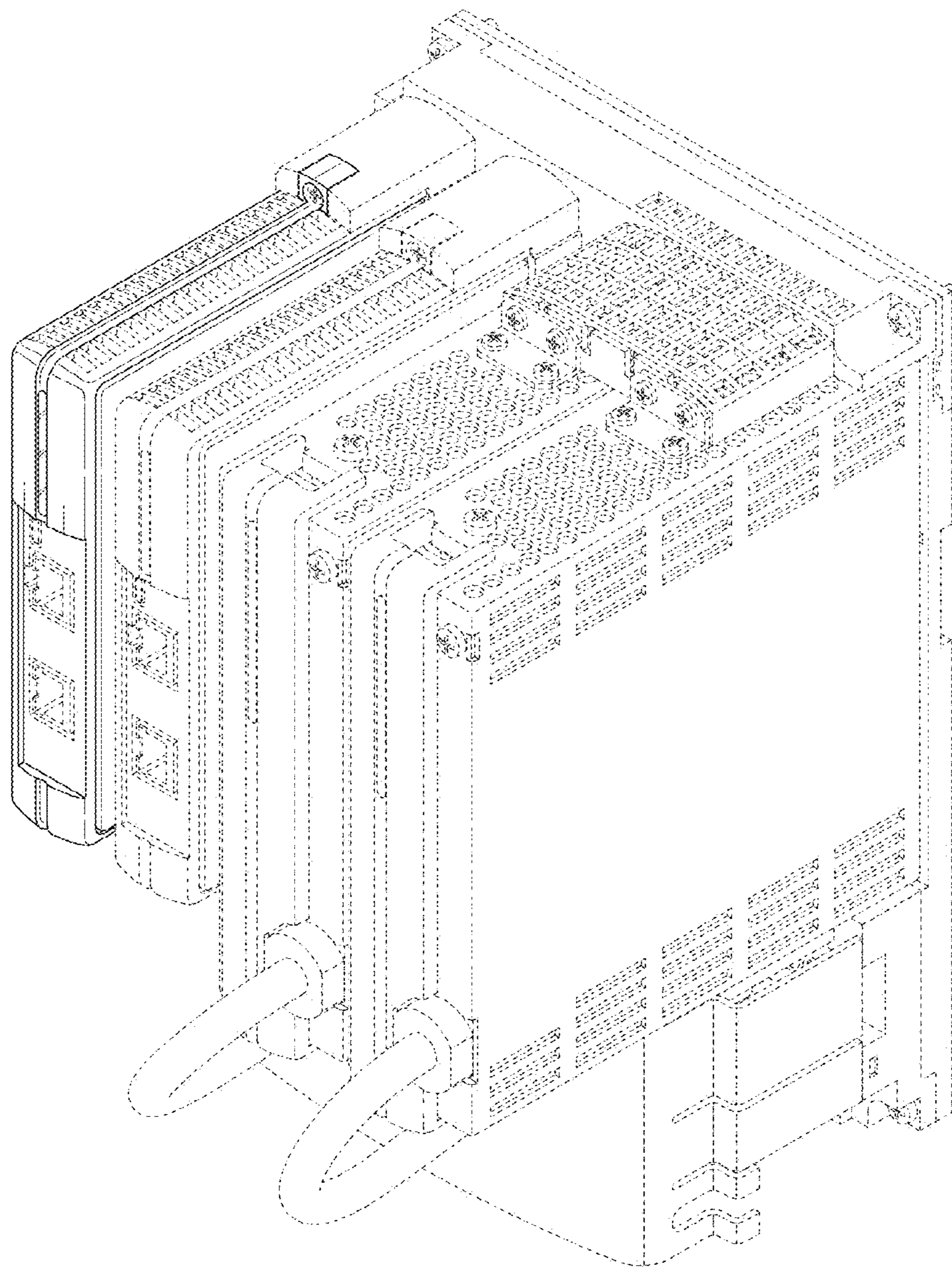


FIG. 8