



US00D761249S

(12) **United States Design Patent**
Liang

(10) **Patent No.:** **US D761,249 S**
(45) **Date of Patent:** **** Jul. 12, 2016**

(54) **MULTIMODE LAPTOP**

(71) Applicant: **Lenovo (Beijing) Co., Ltd.**, Beijing (CN)

(72) Inventor: **Runsheng Liang**, Beijing (CN)

(73) Assignee: **Lenovo (Beijing) Co., Ltd.**, Beijing (CN)

(**) Term: **14 Years**

(21) Appl. No.: **29/516,393**

(22) Filed: **Feb. 2, 2015**

(30) **Foreign Application Priority Data**

Aug. 4, 2014 (CN) 2014 3 0271858

(51) **LOC (10) Cl.** **14-02**

(52) **U.S. Cl.**
USPC **D14/315**

(58) **Field of Classification Search**

USPC D14/315-327, 341, 345; D18/1, 2, 7, D18/11; 235/145 A, 145 R; 341/22, 23; 345/104, 156, 168, 169, 173; 361/679.08, 679.09, 679.11, 679.26, 361/679.27
CPC G06F 1/16; G06F 1/1616; G06F 1/1626; G06F 1/1632; G06F 1/1613; G06F 1/1601; G06F 1/1618; G06F 1/162; G06F 1/166; G06F 1/1654; G06F 1/1681; G06F 1/1637; G06F 1/1688; H01R 35/02; H03M 11/00; G09B 13/04; H03K 17/94; G09G 5/00; F16M 11/10; H05K 5/00; H04M 1/0237; Y10T 16/52; Y10T 16/533; Y10T 16/547; Y10T 16/5385; Y10T 16/5472; Y10T 16/5476; Y10T 16/54038

See application file for complete search history.

(56) **References Cited**

U.S. PATENT DOCUMENTS

6,775,129 B1 * 8/2004 Ghosh G06F 1/162 361/679.09
D593,091 S * 5/2009 Behar D14/371
7,599,487 B2 * 10/2009 Lim H04M 1/0237 379/433.12
7,690,576 B2 * 4/2010 Ladouceur H04M 1/0237 235/472.01

(Continued)

OTHER PUBLICATIONS

Lenovo (Beijing) Co.. L TD.. "Laptop". design U.S. Appl. No. 29/516,562, filed Feb. 4, 2015, not yet published.

Primary Examiner — Freda S Nunn

(74) *Attorney, Agent, or Firm* — Oppedahl Patent Law Firm LLC

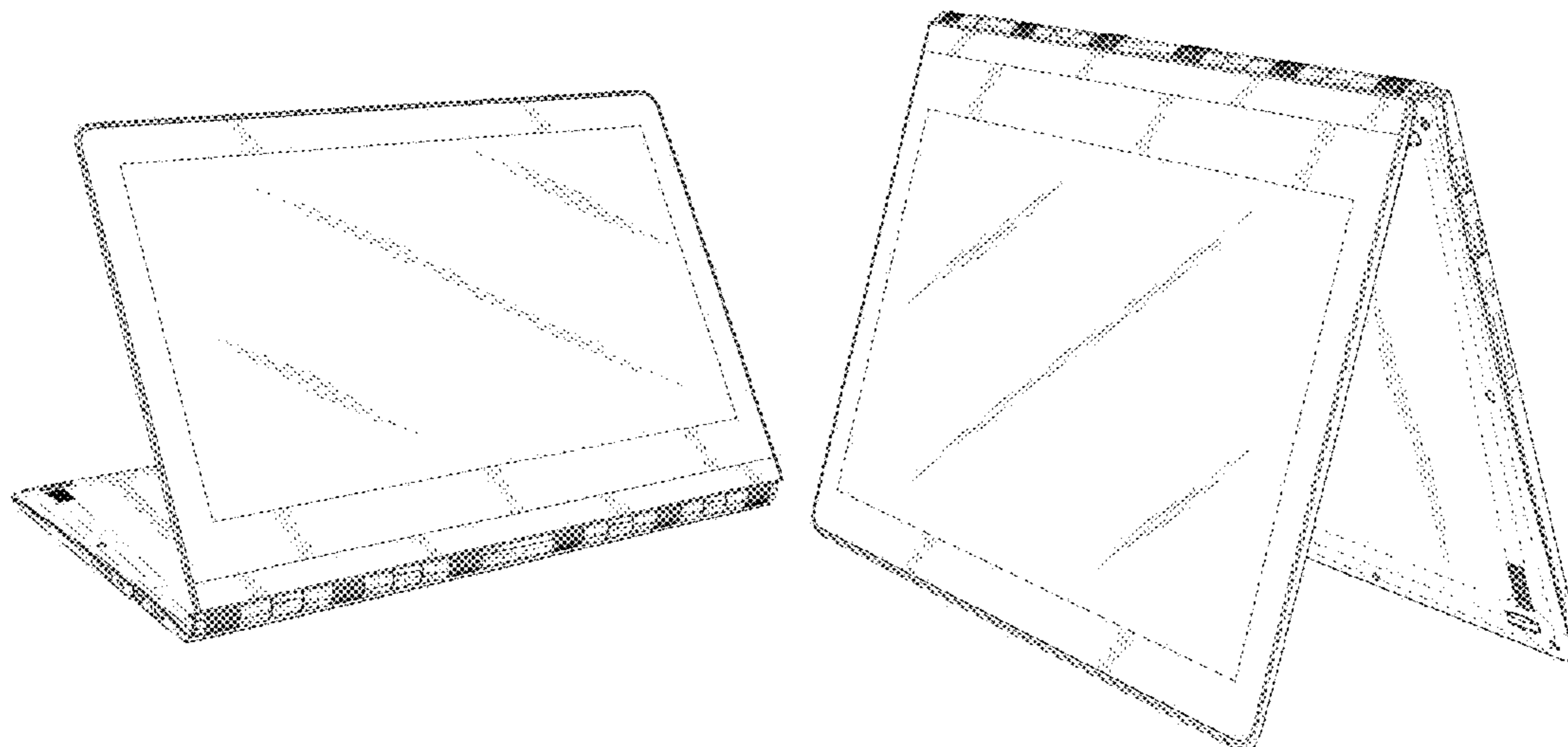
(57) **CLAIM**

The ornamental design for a multimode laptop, as shown and described.

DESCRIPTION

FIG. 1 is a top view of a multimode laptop showing my new design.
FIG. 2 is a bottom view.
FIG. 3 is a left view.
FIG. 4 is a right view.
FIG. 5 is a rear view.
FIG. 6 is a front view.
FIG. 7 is a perspective view showing the article in a closed configuration.
FIG. 8 is a perspective view showing the article in a first open configuration.
FIG. 9 is a perspective view showing the article in a second open configuration.
FIG. 10 is a perspective view showing the article in a third open configuration; and,
FIG. 11 is a perspective view showing the article in a fourth open configuration.

1 Claim, 5 Drawing Sheets



US D761,249 S

Page 2

(56)

References Cited

U.S. PATENT DOCUMENTS

D690,691 S	*	10/2013	Hoshi	D14/336	D708,605 S	*	7/2014	Yang	D14/315
D696,245 S	*	12/2013	Lee	D14/315	D716,793 S	*	11/2014	Lee	D14/315
D697,063 S	*	1/2014	Lee	D14/315	D717,296 S	*	11/2014	Oh	D14/316
D708,177 S	*	7/2014	Honda	D14/316	D720,345 S	*	12/2014	Chu	D14/341
						2006/0146488 A1	*	7/2006	Kimmel	G06F 1/1616 361/679.04

* cited by examiner

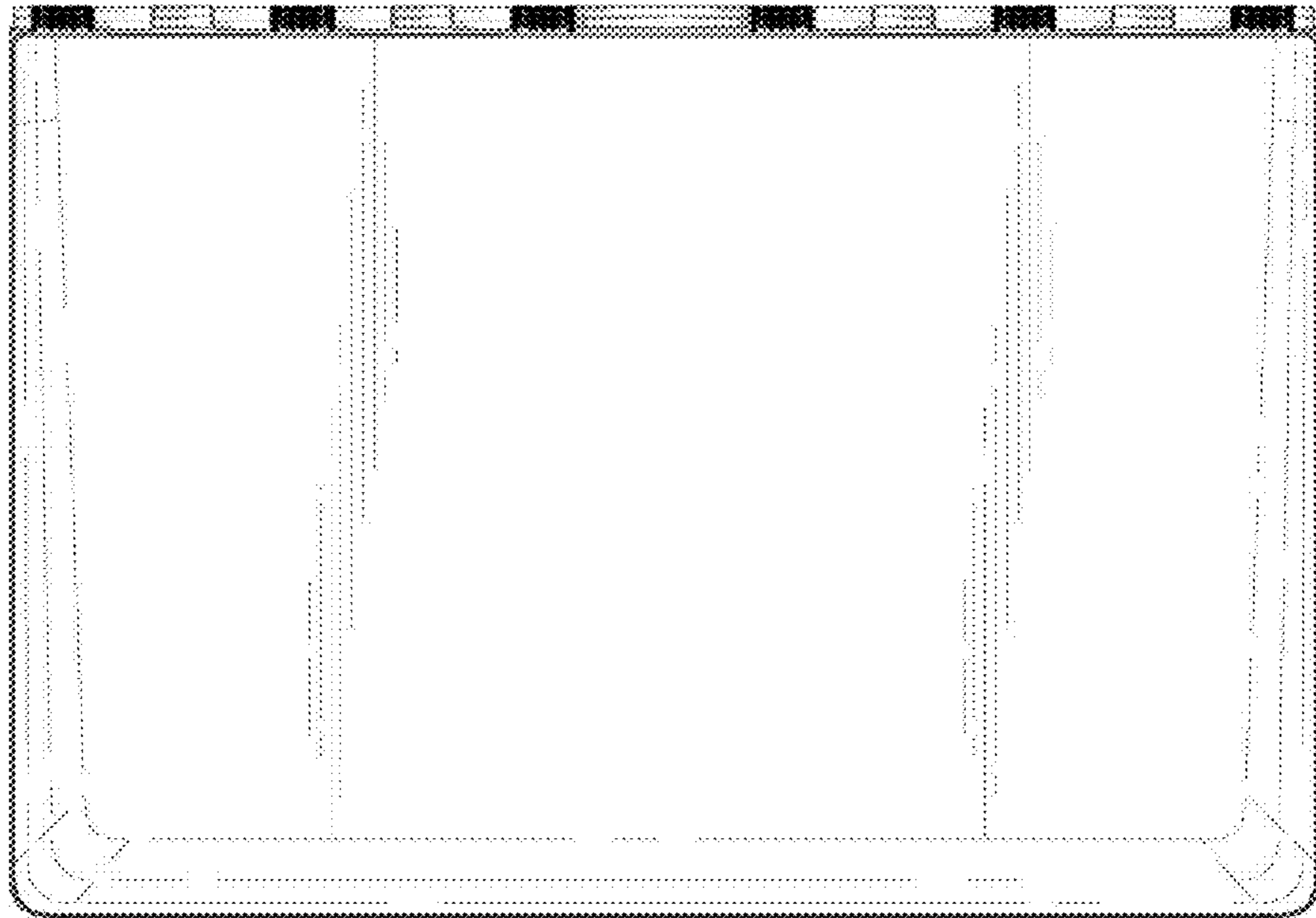


FIG. 1

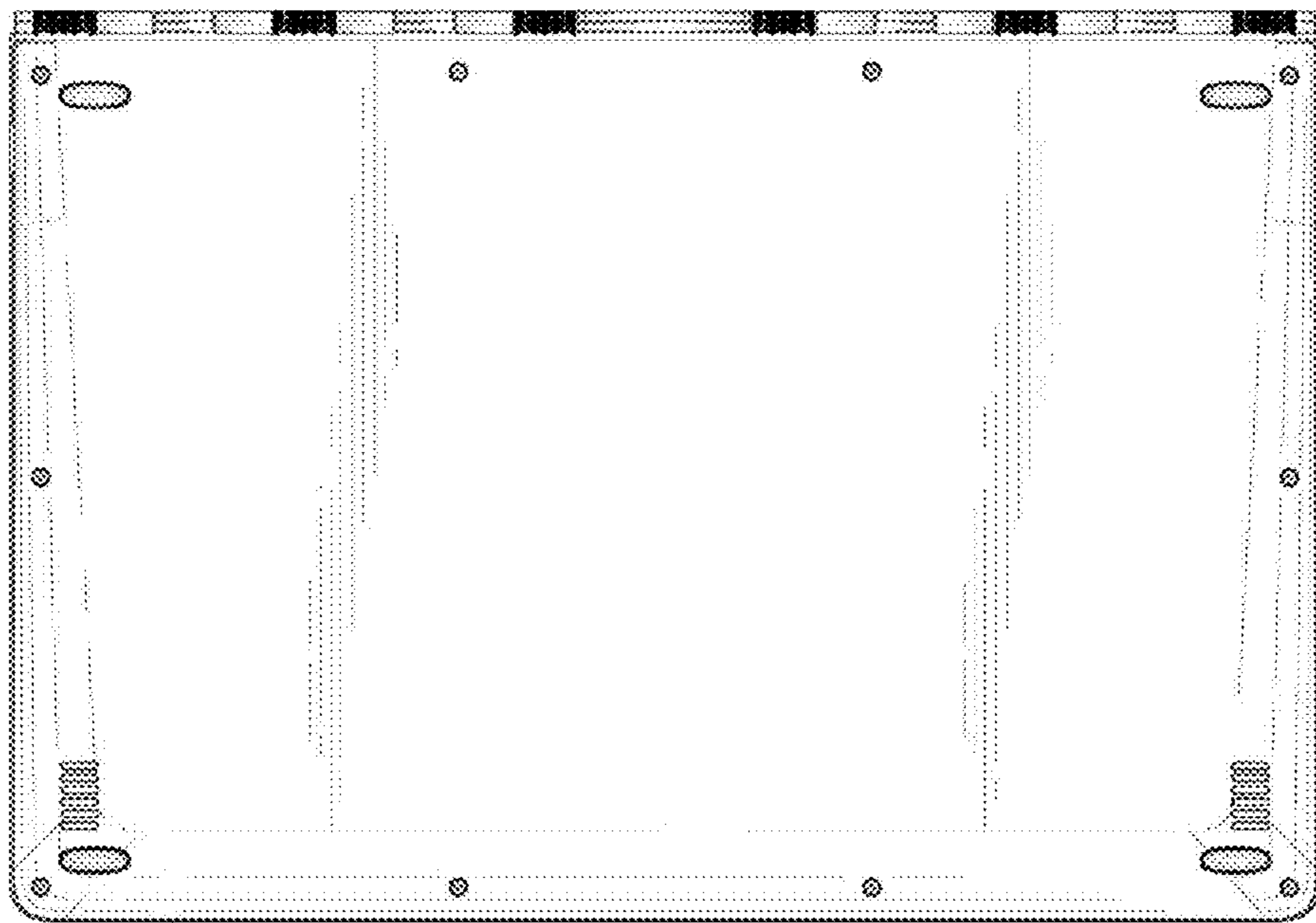


FIG. 2



FIG.3



FIG.4

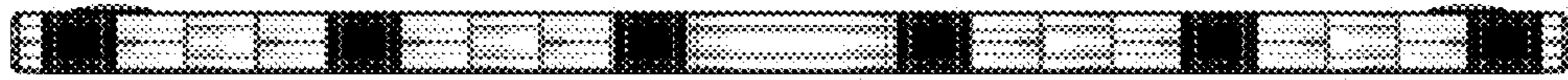


FIG. 5



FIG. 6

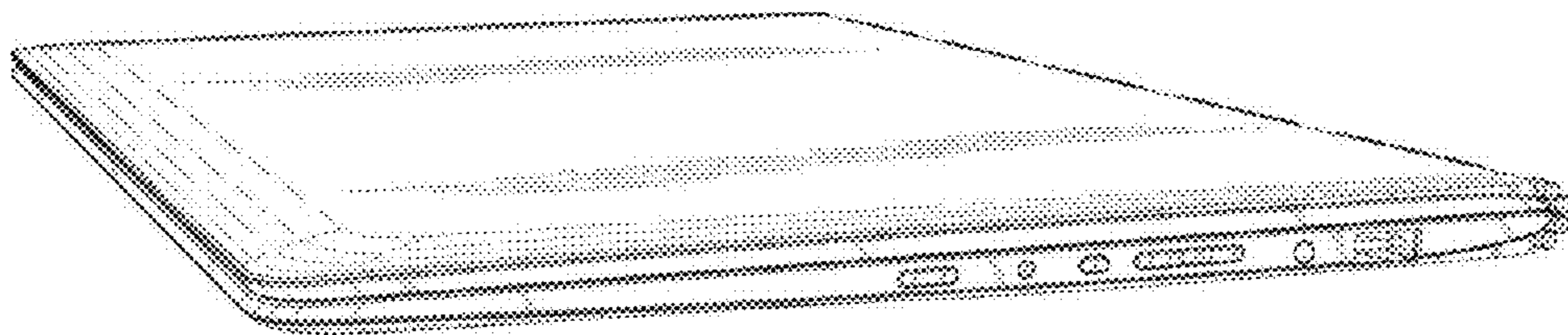


FIG. 7

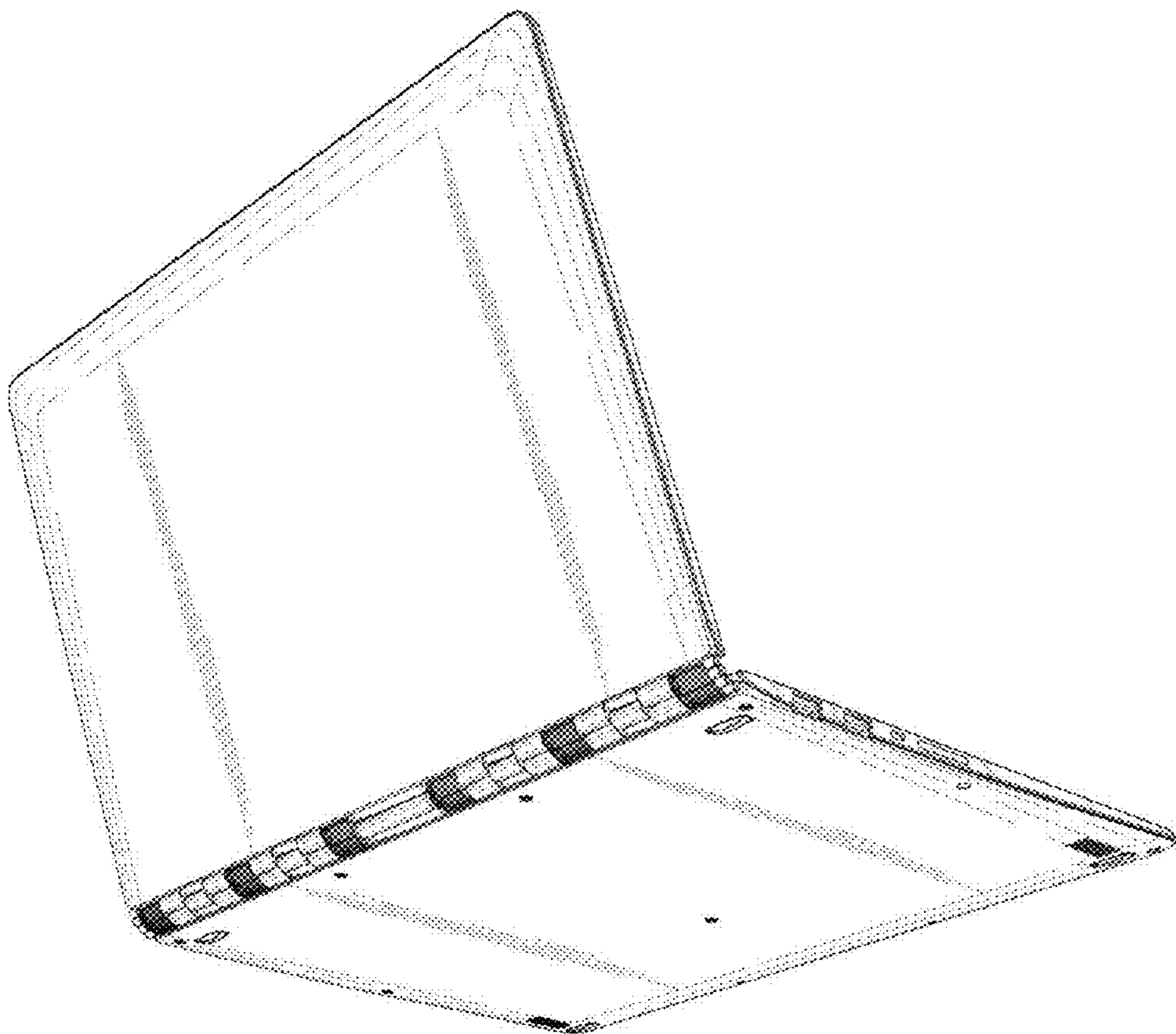


FIG. 8

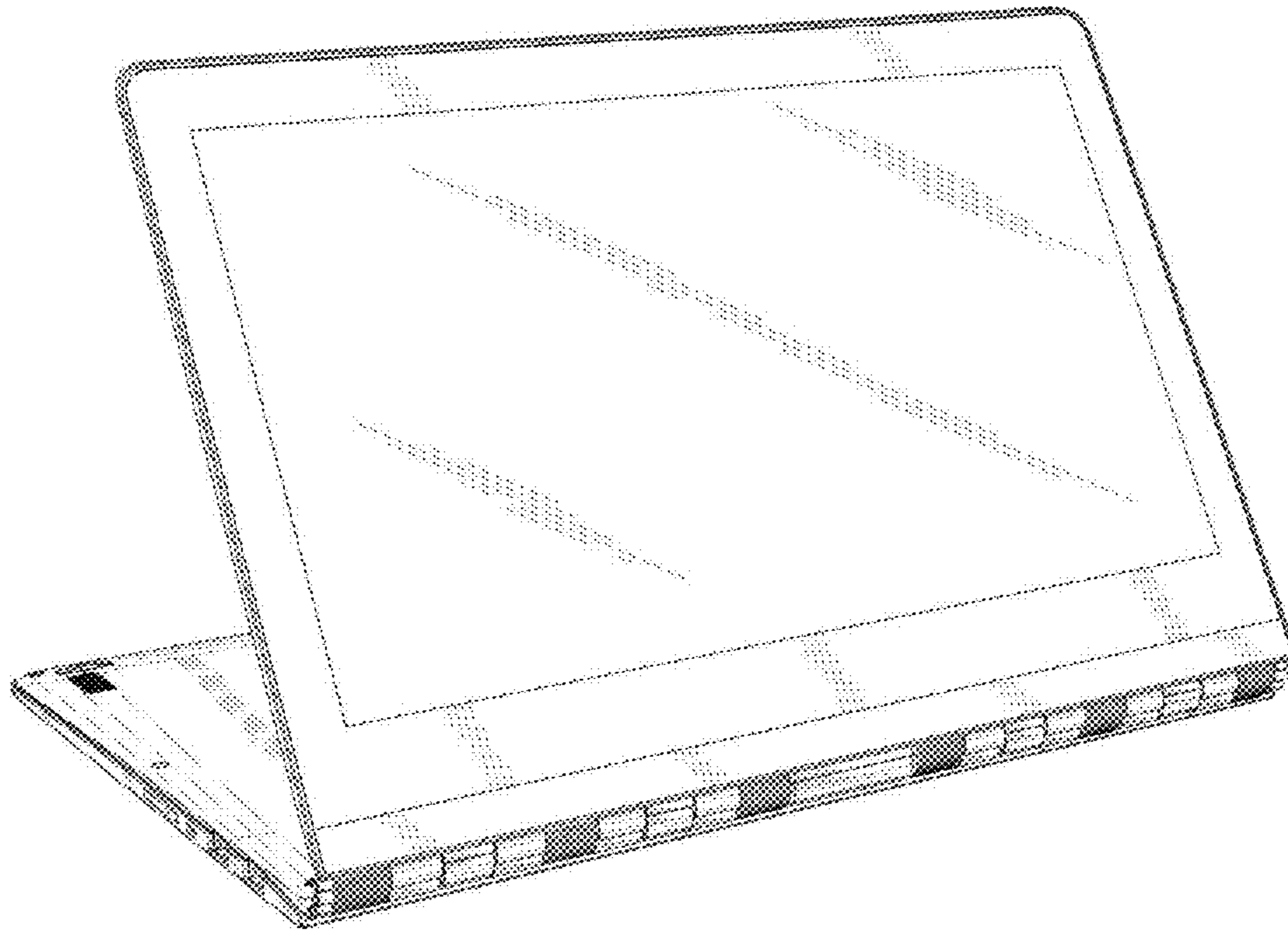


FIG. 9

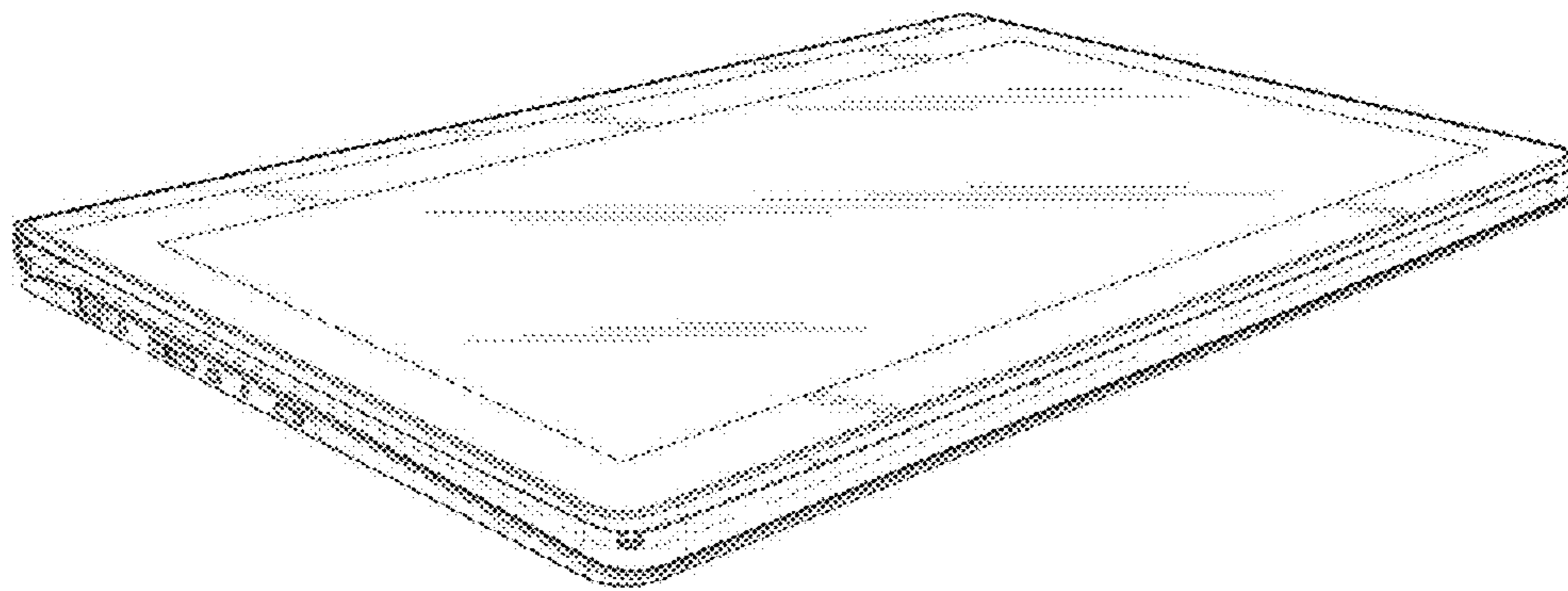


FIG. 10

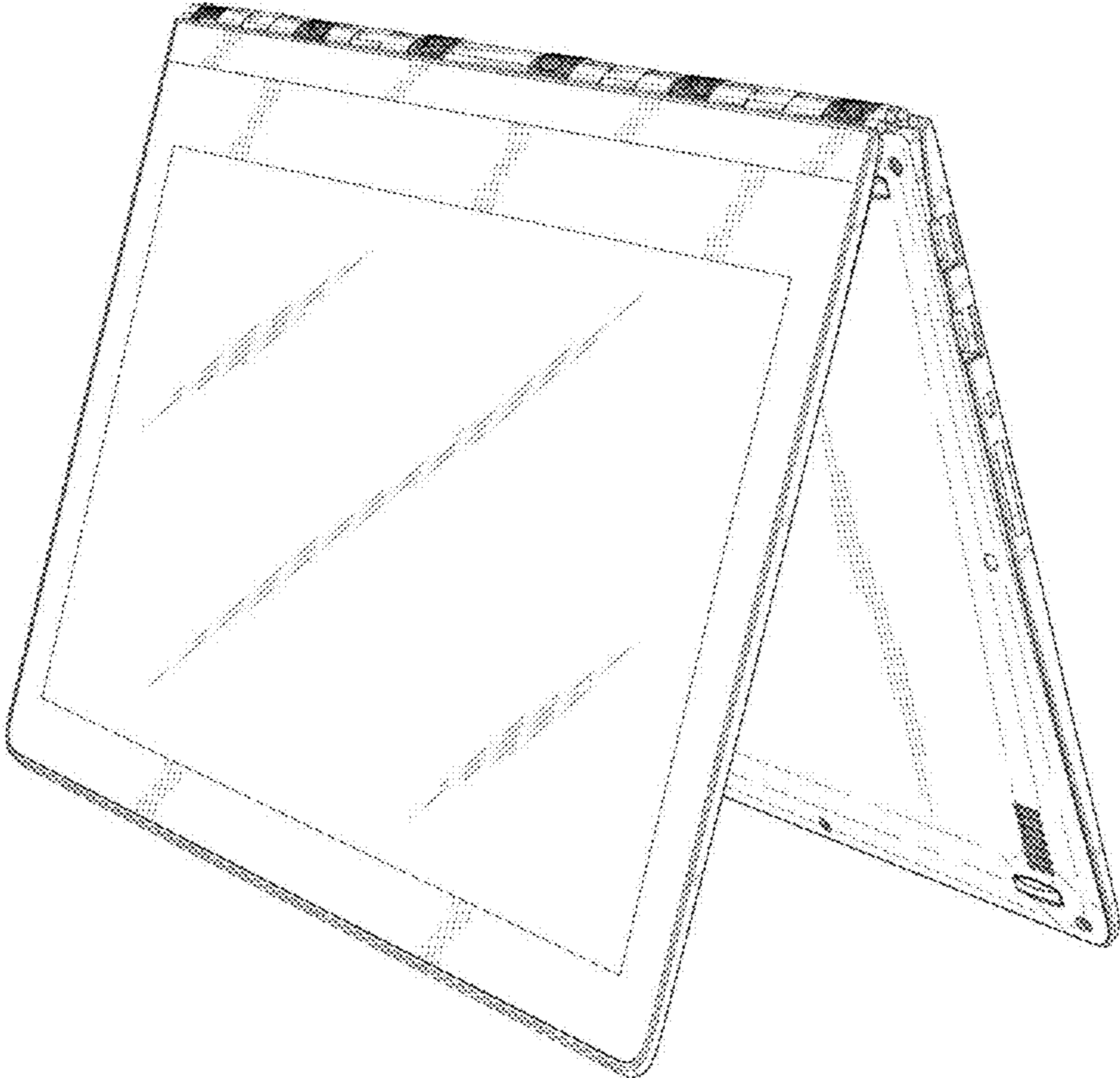


FIG.11