



US00D761247S

(12) **United States Design Patent**
Otsuka

(10) **Patent No.:** **US D761,247 S**
(45) **Date of Patent:** **** Jul. 12, 2016**

(54) **SERVER FOR COMPUTER**

D569,865 S * 5/2008 Ambrose D14/313
D585,441 S * 1/2009 Alfonso D14/313
D631,480 S * 1/2011 Vaughan D14/313

(71) Applicant: **Kabushiki Kaisha Toshiba**, Minato-ku,
Tokyo (JP)

(Continued)

(72) Inventor: **Hitoshi Otsuka**, Tokyo (JP)

FOREIGN PATENT DOCUMENTS

(73) Assignee: **KABUSHIKI KAISHA TOSHIBA**,
Tokyo (JP)

JP D718791 11/1987
JP D1302322 6/2007
JP D1302324 6/2007

(**) Term: **15 Years**

Primary Examiner — Freda S Nunn

(21) Appl. No.: **29/530,386**

(74) *Attorney, Agent, or Firm* — Banner & Witcoff, Ltd.

(22) Filed: **Jun. 16, 2015**

(57) **CLAIM**

The ornamental design for a server for computer, as shown and described.

(30) **Foreign Application Priority Data**

DESCRIPTION

Dec. 18, 2014 (JP) 2014-028362

(51) **LOC (10) Cl.** **14-02**

(52) **U.S. Cl.**
USPC **D14/313**

(58) **Field of Classification Search**
USPC D14/240, 300, 301, 308, 313, 314,
D14/348-356, 364-368, 441-446, 188;
D13/123, 158, 162, 184, 199;
312/223.1-223.3, 351.11;
360/99.01-99.12; 369/34.01-36.01;
361/679.31-679.33, 679.37, 679.39,
361/679.46, 679.53, 679.4, 679.41, 727
CPC G06F 1/20; G06F 1/181; G06F 1/187;
G06F 1/183; G06F 1/184; H05K 7/16; H05K
7/1424; H05K 7/1409; H05K 7/20; H05K
7/20545; H05K 7/20727; H05H 7/20; G11B
33/126; G11B 33/128; G11B 33/08
See application file for complete search history.

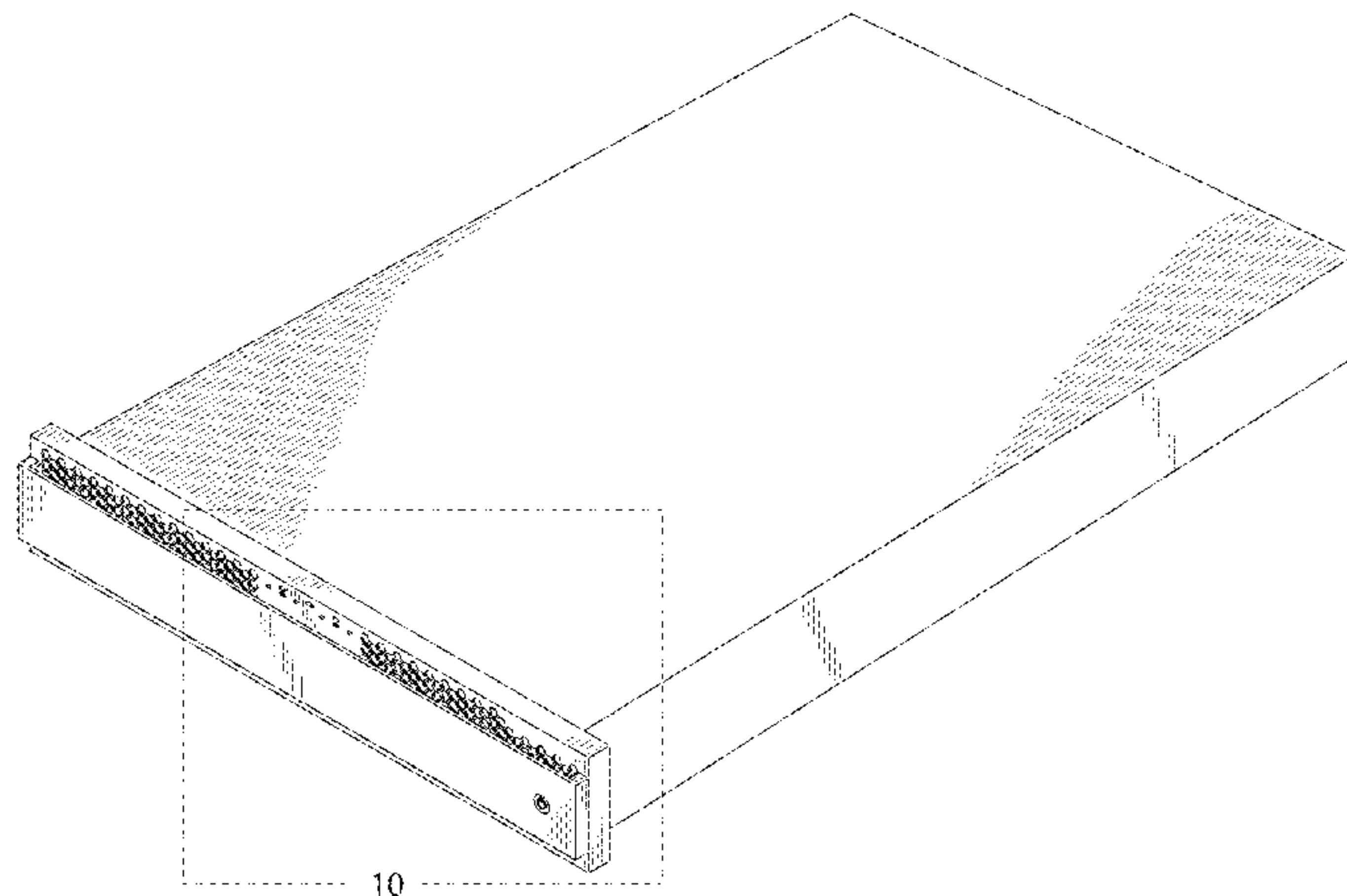
FIG. 1 is a front, top and right side perspective view of a server for computer, showing my new design;
FIG. 2 is a front view thereof;
FIG. 3 is a rear view thereof;
FIG. 4 is a top view thereof, the bottom being symmetrical;
FIG. 5 is a right side view thereof, the left side being symmetrical;
FIG. 6 is an end cross-sectional view thereof, taken along the line 6-6 in FIG. 2;
FIG. 7 is an end cross-sectional view thereof, taken along the line 7-7 in FIG. 2;
FIG. 8 is an enlarged fragmented cross-sectional view thereof, taken along the line 8 in FIG. 6;
FIG. 9 is an enlarged fragmented cross-sectional view thereof, taken along the line 9 in FIG. 7;
FIG. 10 is an enlarged fragmented view thereof, as indicated in FIG. 1; and,
FIG. 11 is an enlarged end cross-sectional view thereof, taken along the line 11-11 in FIG. 5.
The broken lines in FIGS. 1, 6, 7 and 10 are included to indicate the point at which the cross-sectional and fragmented views are taken, and form no part of the claimed design.

(56) **References Cited**

U.S. PATENT DOCUMENTS

D428,892 S * 8/2000 Haimson D14/441
D527,390 S * 8/2006 Millar D13/184

1 Claim, 8 Drawing Sheets



US D761,247 S

Page 2

(56)

References Cited

U.S. PATENT DOCUMENTS

D727,921 S *	4/2015	Woodruff	D14/445
2002/0017838 A1 *	2/2002	Roesner	G06F 1/184 312/223.1
D648,701 S *	11/2011	Shimek	D14/140.4

* cited by examiner

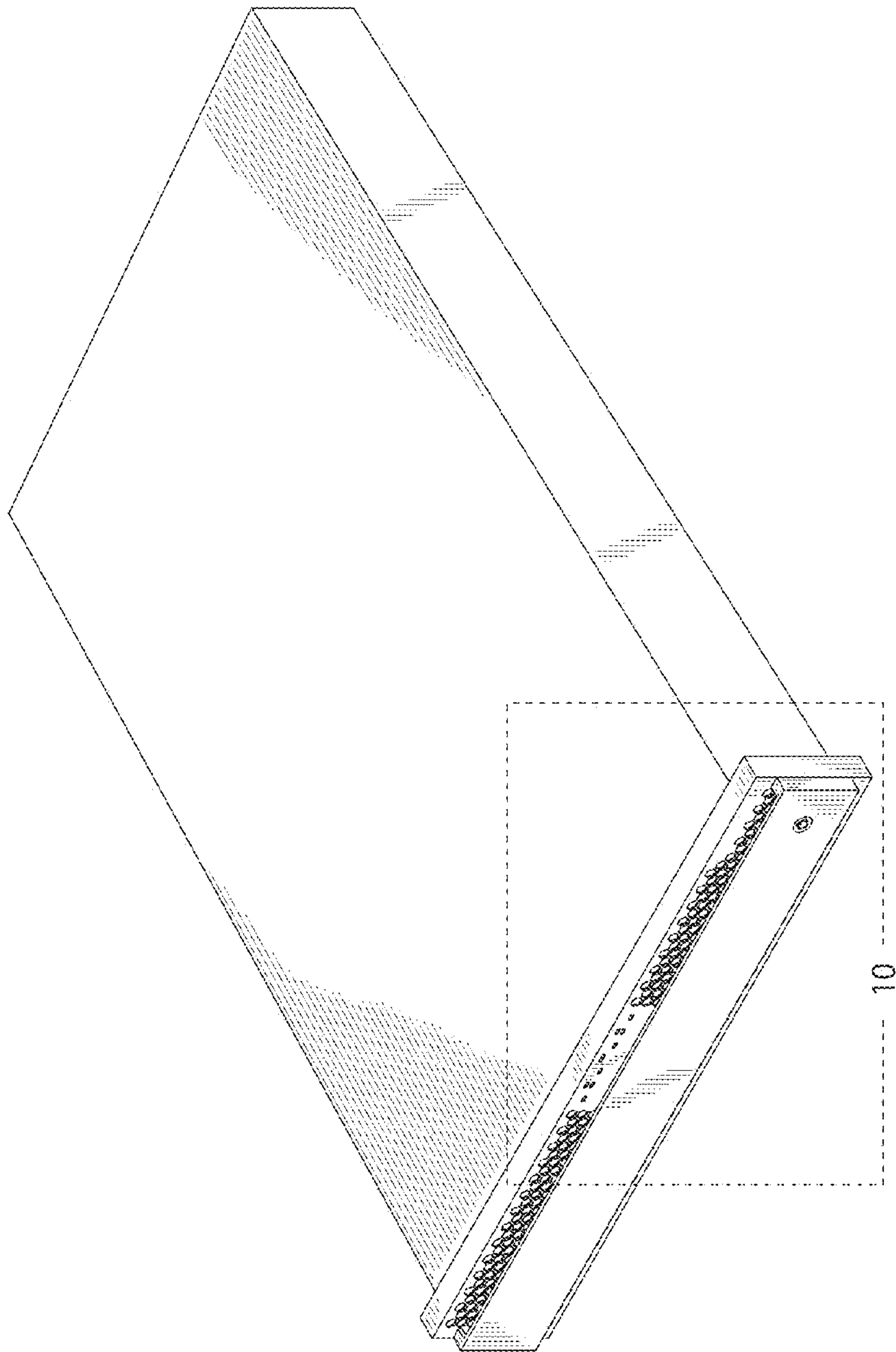


Fig. 1

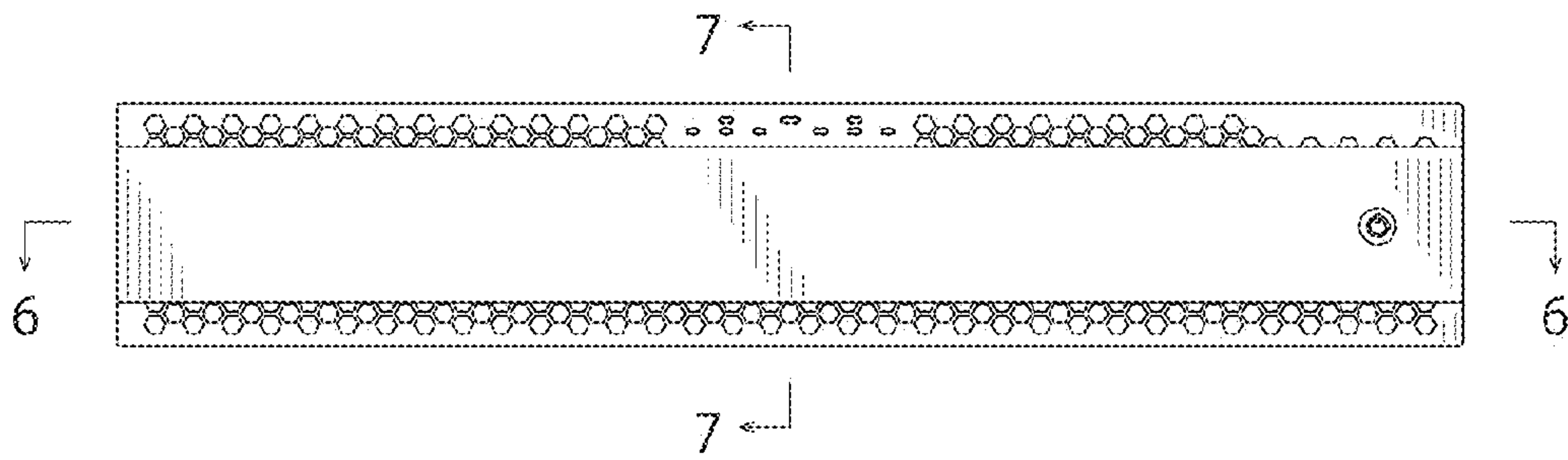


Fig. 2



Fig. 3

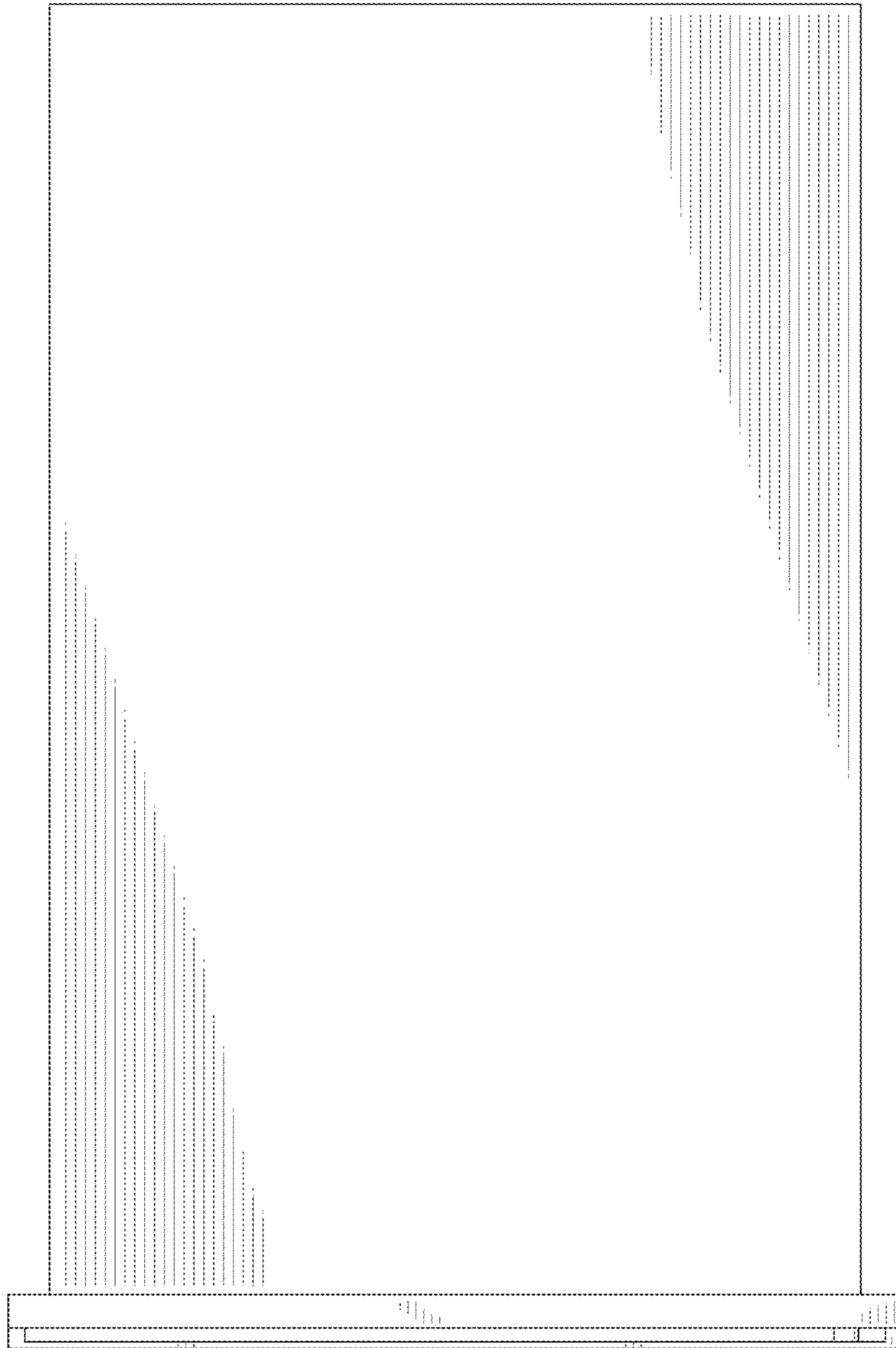


Fig. 4

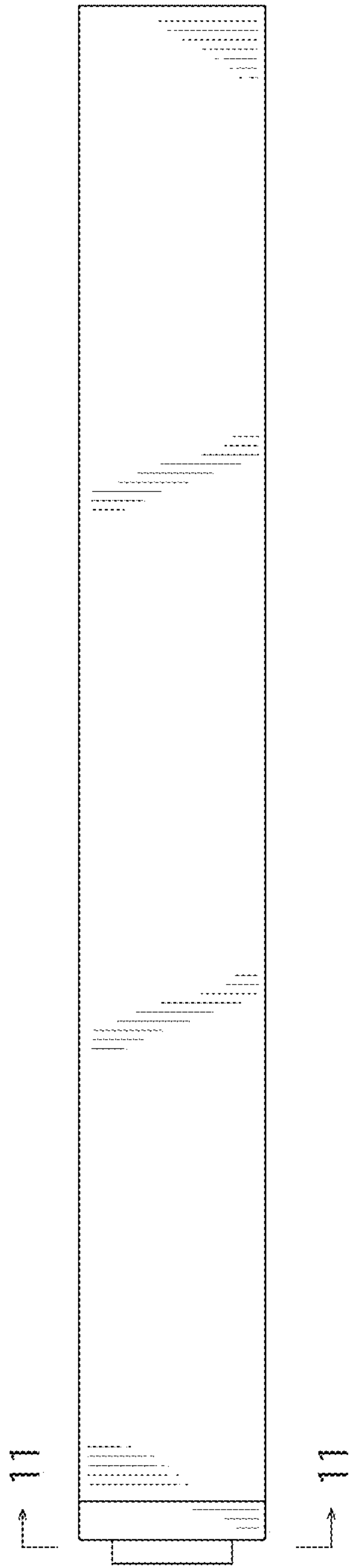


Fig. 5

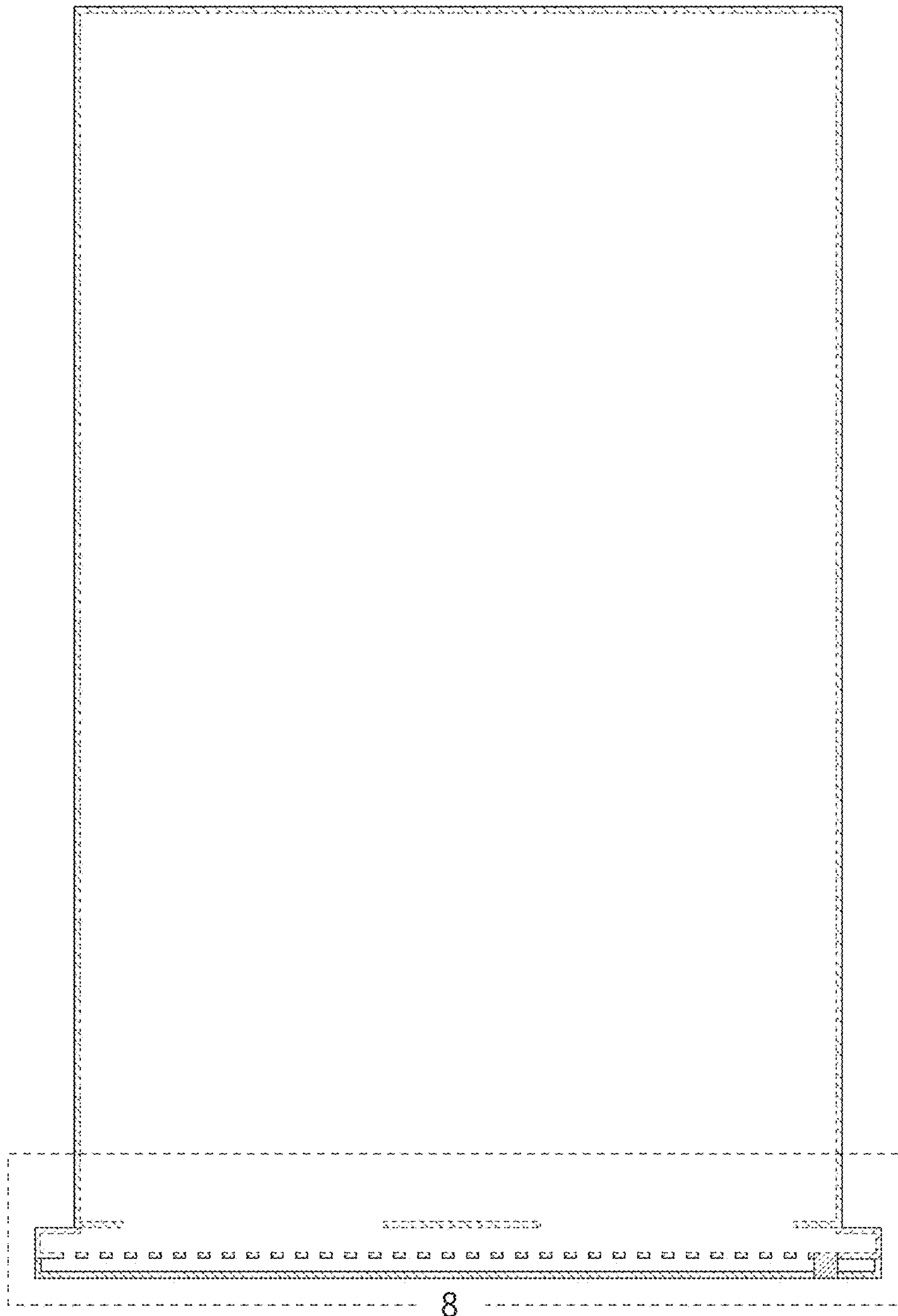


Fig. 6

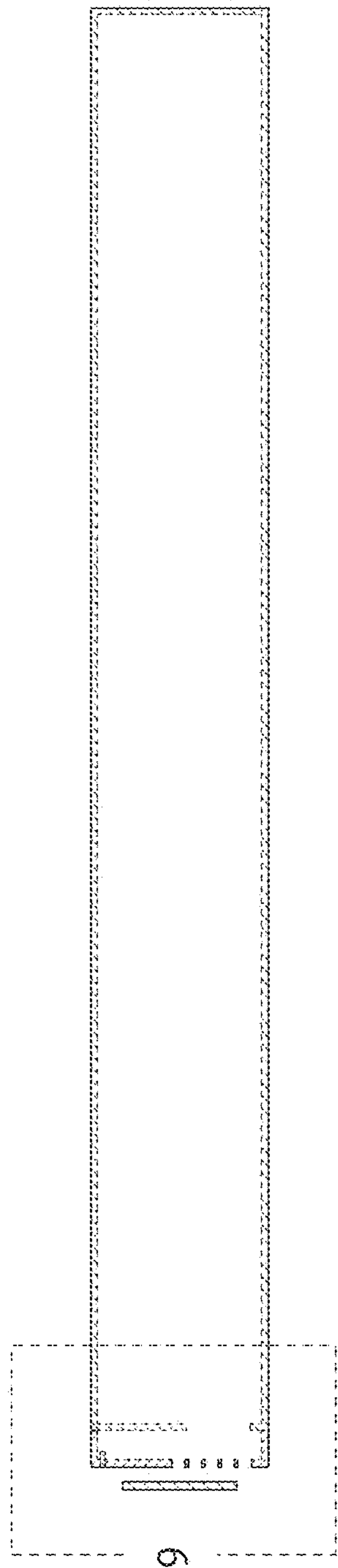


Fig. 7

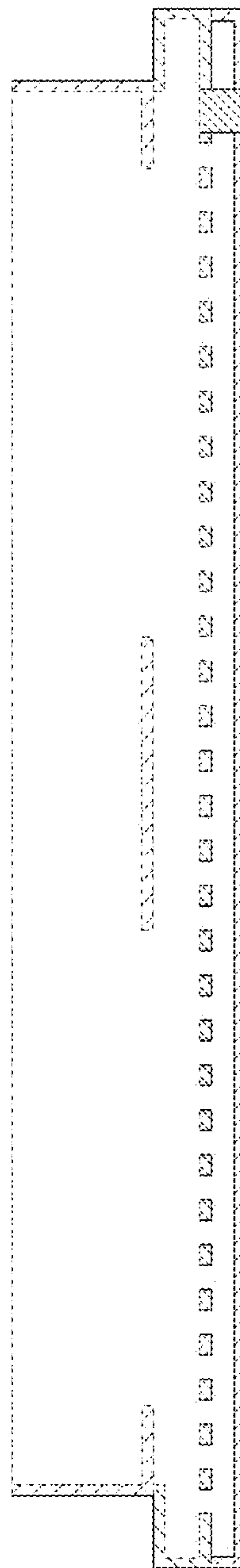


Fig. 8

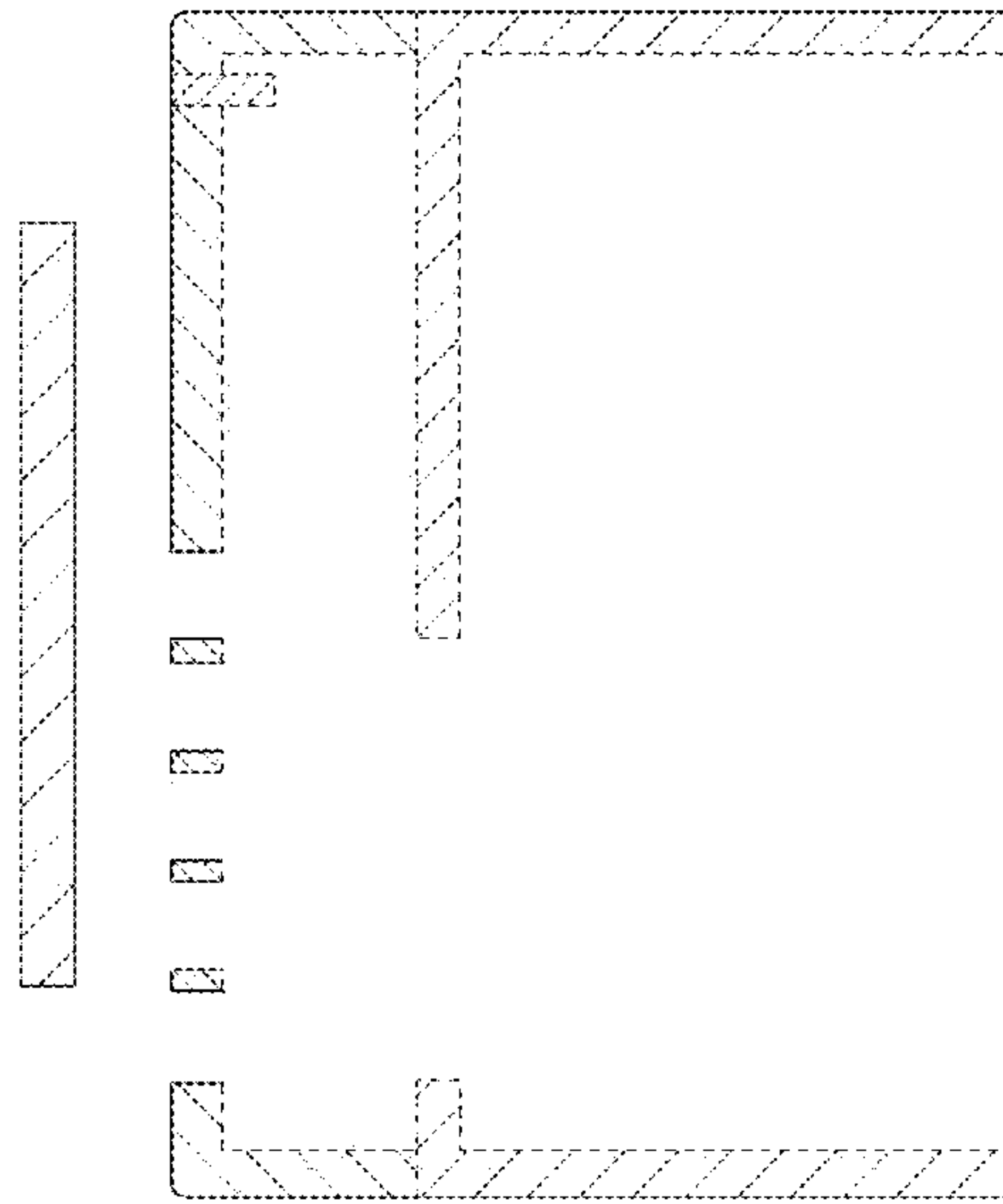


Fig. 9

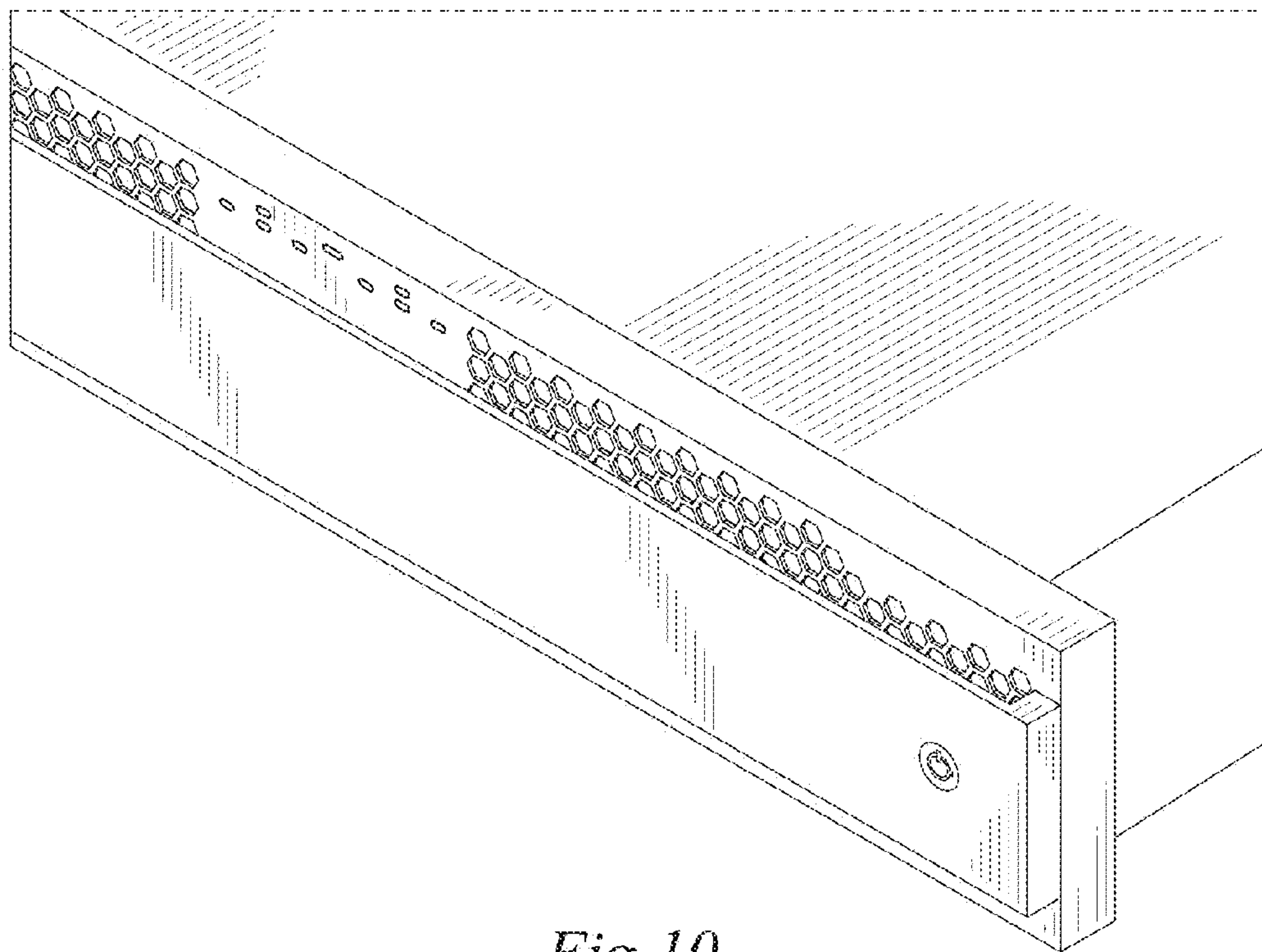


Fig. 10

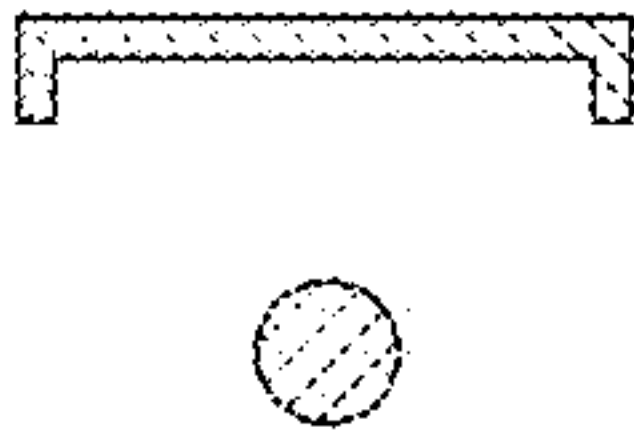


Fig. 11

