



US00D761245S

(12) **United States Design Patent**
Pfeiffer

(10) **Patent No.:** **US D761,245 S**

(45) **Date of Patent:** **** Jul. 12, 2016**

(54) **INFORMATION RETRIEVAL TERMINAL**

(71) Applicant: **Homag Holzbearbeitungssysteme GmbH**, Schopfloch (DE)

(72) Inventor: **Marcel Pfeiffer**, Schopfloch (DE)

(73) Assignee: **Homag Holzbearbeitungssysteme GmbH**, Schopfloch (DE)

(**) Term: **14 Years**

(21) Appl. No.: **29/469,739**

(22) Filed: **Oct. 14, 2013**

(30) **Foreign Application Priority Data**

Apr. 16, 2013 (EM) 002 221 218

(51) **LOC (10) Cl.** **14-02**

(52) **U.S. Cl.**
USPC **D14/307**

(58) **Field of Classification Search**

USPC D14/302-307, 336, 337, 371, 125-129;
345/104, 156, 168, 173; 348/180, 184,
348/325, 739; 349/1, 2, 11, 62; 341/12;
D99/28, 99; D24/185, 186; D6/407,
D6/641, 642; D20/10

CPC G06F 1/16; G06F 1/1601; G06F 3/037;
G06F 1/162; F16M 11/10

See application file for complete search history.

(56) **References Cited**

U.S. PATENT DOCUMENTS

D395,129 S * 6/1998 Johnson D99/28
D407,755 S * 4/1999 Isshiki et al. D20/10

D410,448 S * 6/1999 Honaker et al. D14/371
D433,022 S * 10/2000 Lucas D14/371
D507,266 S * 7/2005 Phillips et al. D14/307
D566,703 S * 4/2008 Malone et al. D14/307
D597,975 S * 8/2009 Ohno D14/126
D609,493 S * 2/2010 Dreyer et al. D6/407
D628,742 S * 12/2010 Hsu D28/9
D661,291 S * 6/2012 Renukanand et al. D14/307

* cited by examiner

Primary Examiner — Freda S Nunn

(74) *Attorney, Agent, or Firm* — LaRiviere, Grubman PC

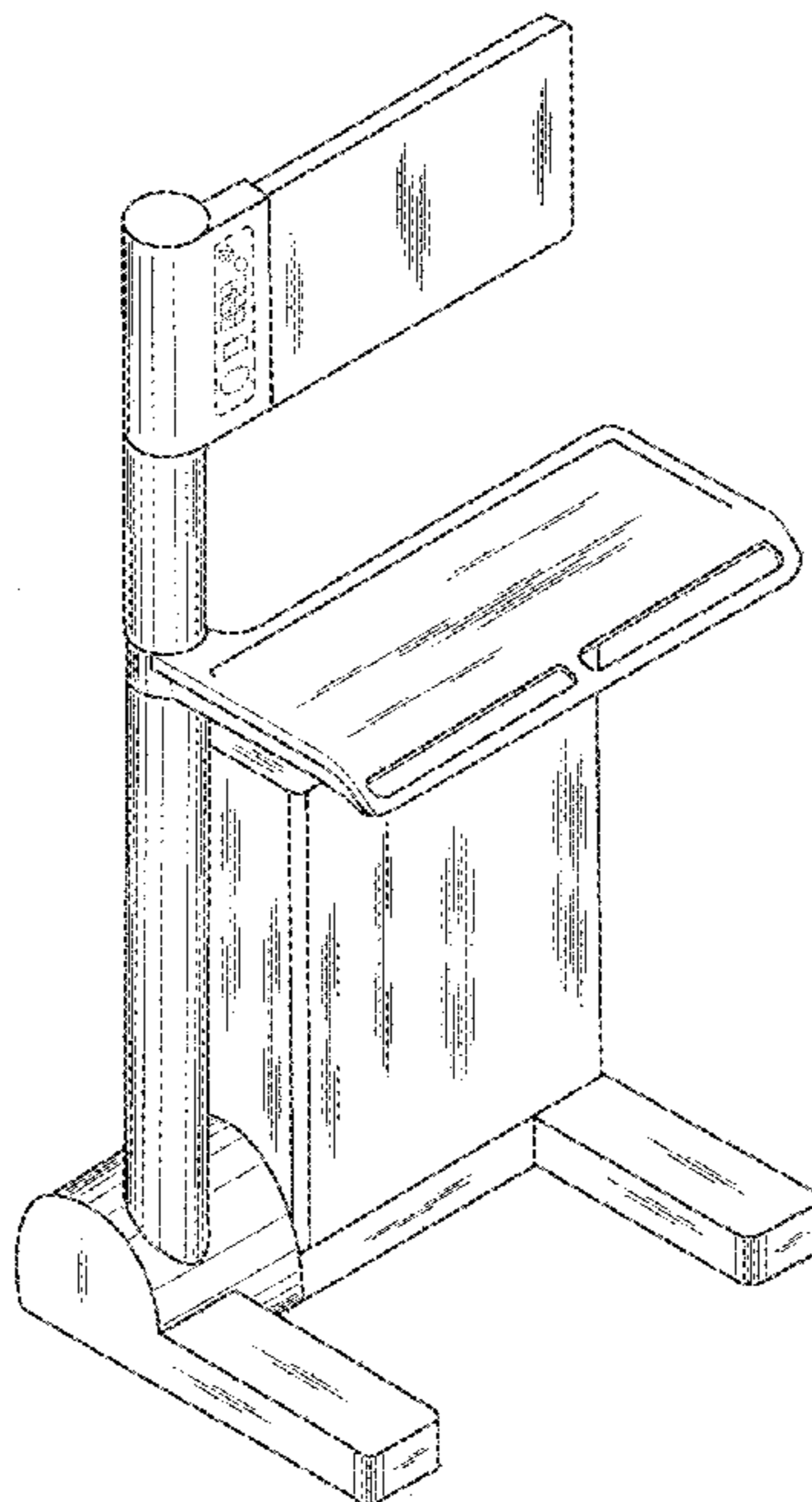
(57) **CLAIM**

The ornamental design for an information retrieval terminal, as shown and described.

DESCRIPTION

FIG. 1 is a perspective view of an information retrieval terminal;
FIG. 2 is a front view thereof;
FIG. 3 is a rear view thereof;
FIG. 4 is a top view thereof;
FIG. 5 is a side view thereof;
FIG. 6 is an opposing side view thereof; and,
FIG. 7 is a perspective view of a second embodiment thereof which is a mirror image of those shown in FIGS. 1-6.
The portions of the information retrieval terminal shown in broken lines form no part of the claimed design.

1 Claim, 7 Drawing Sheets



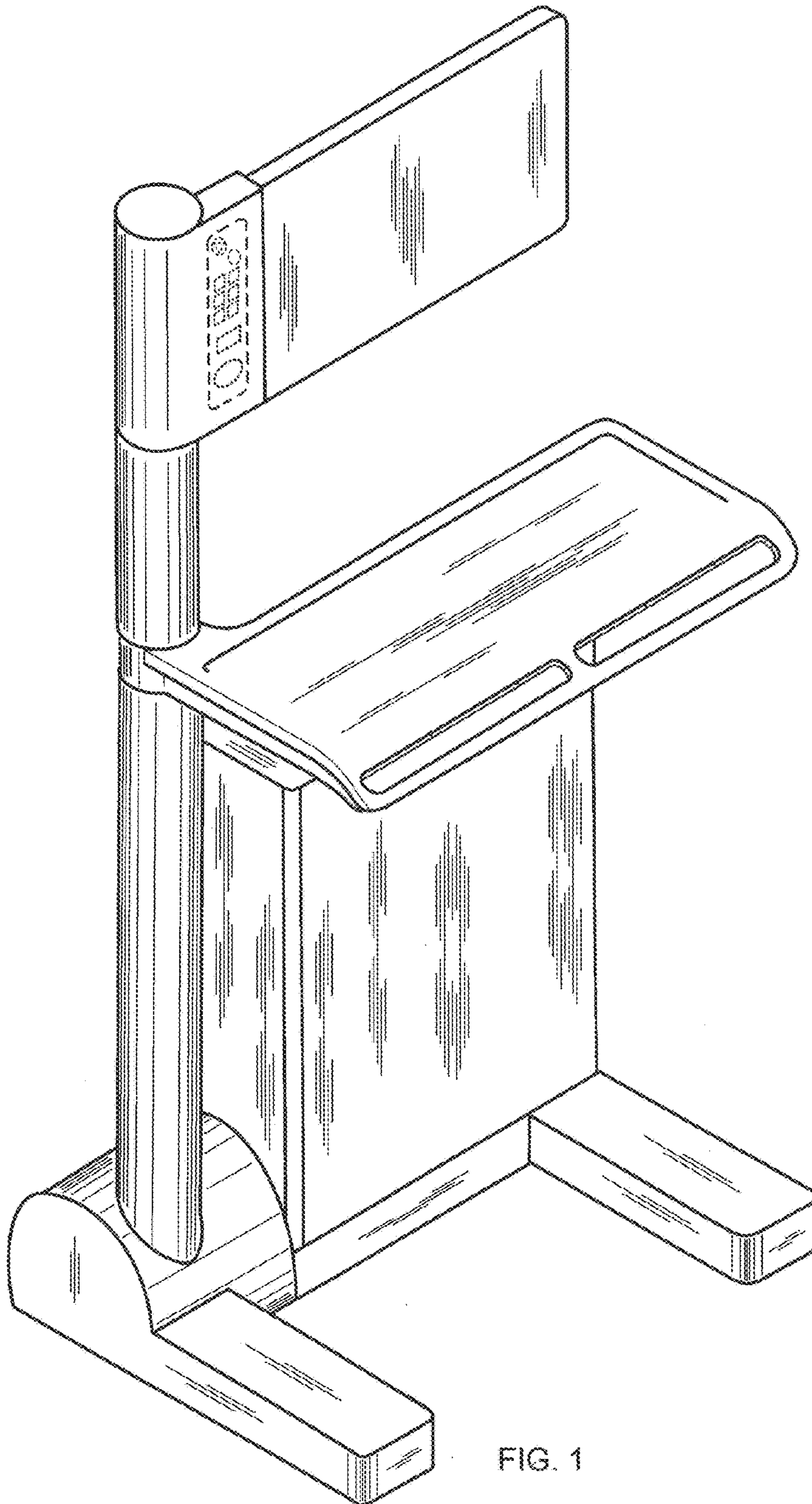


FIG. 1

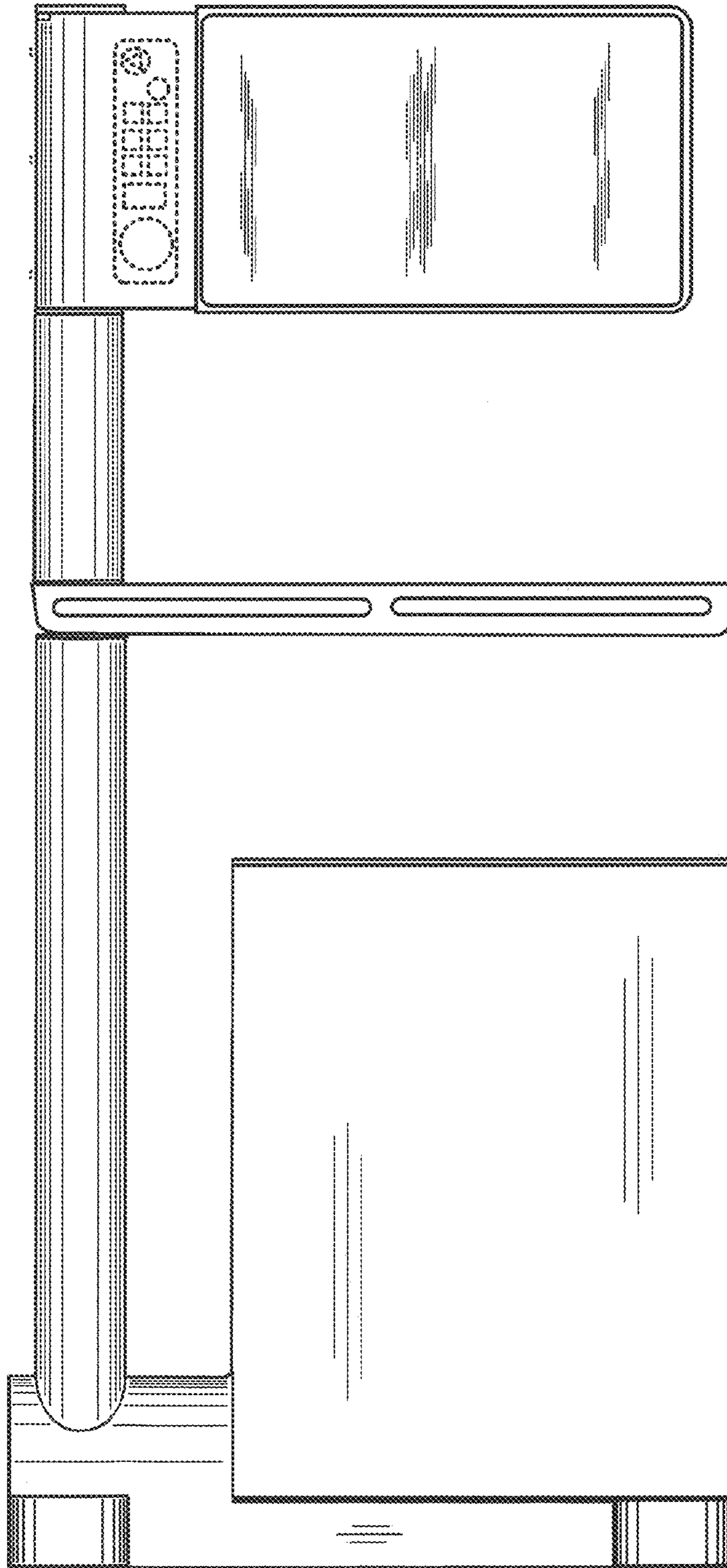


FIG. 2

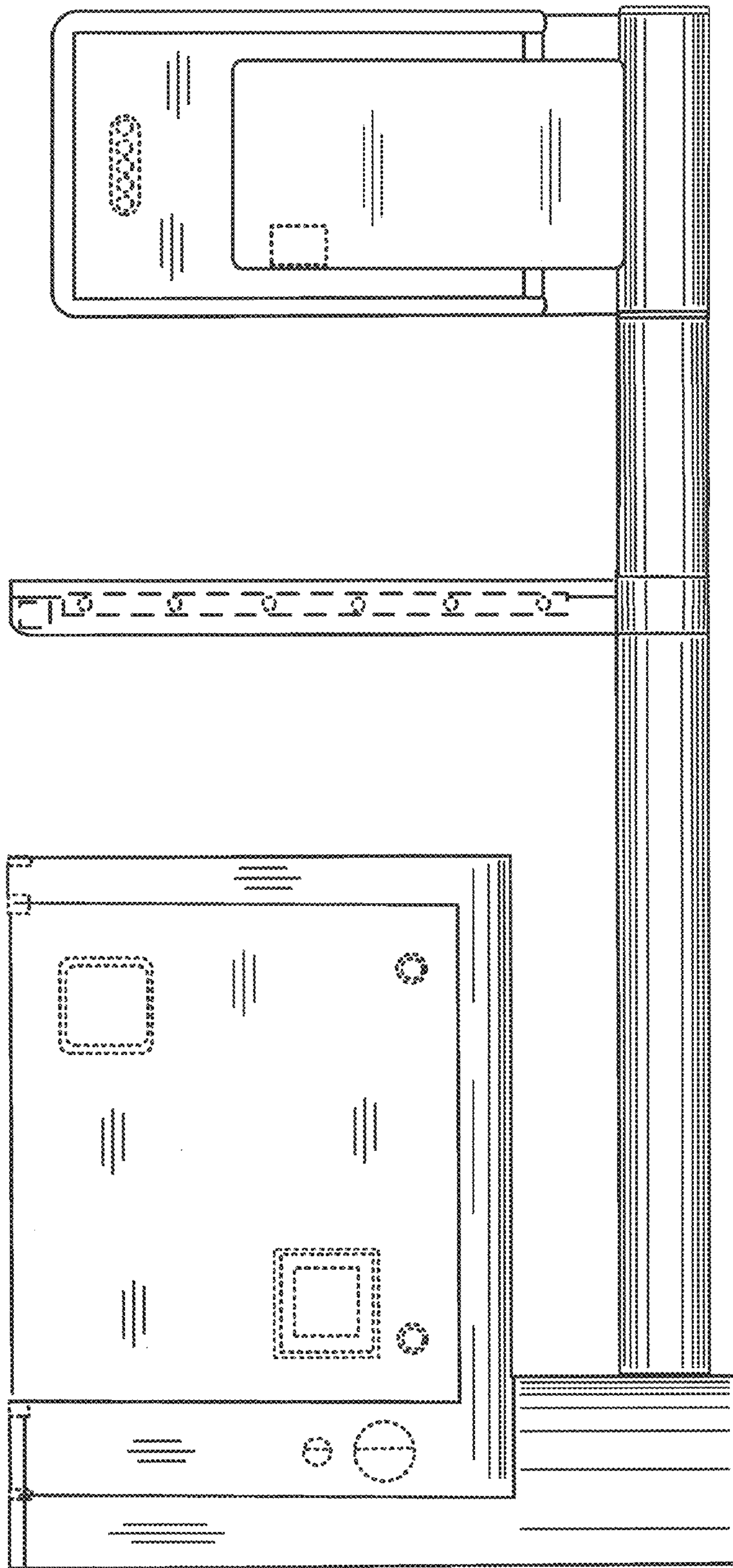


FIG. 3

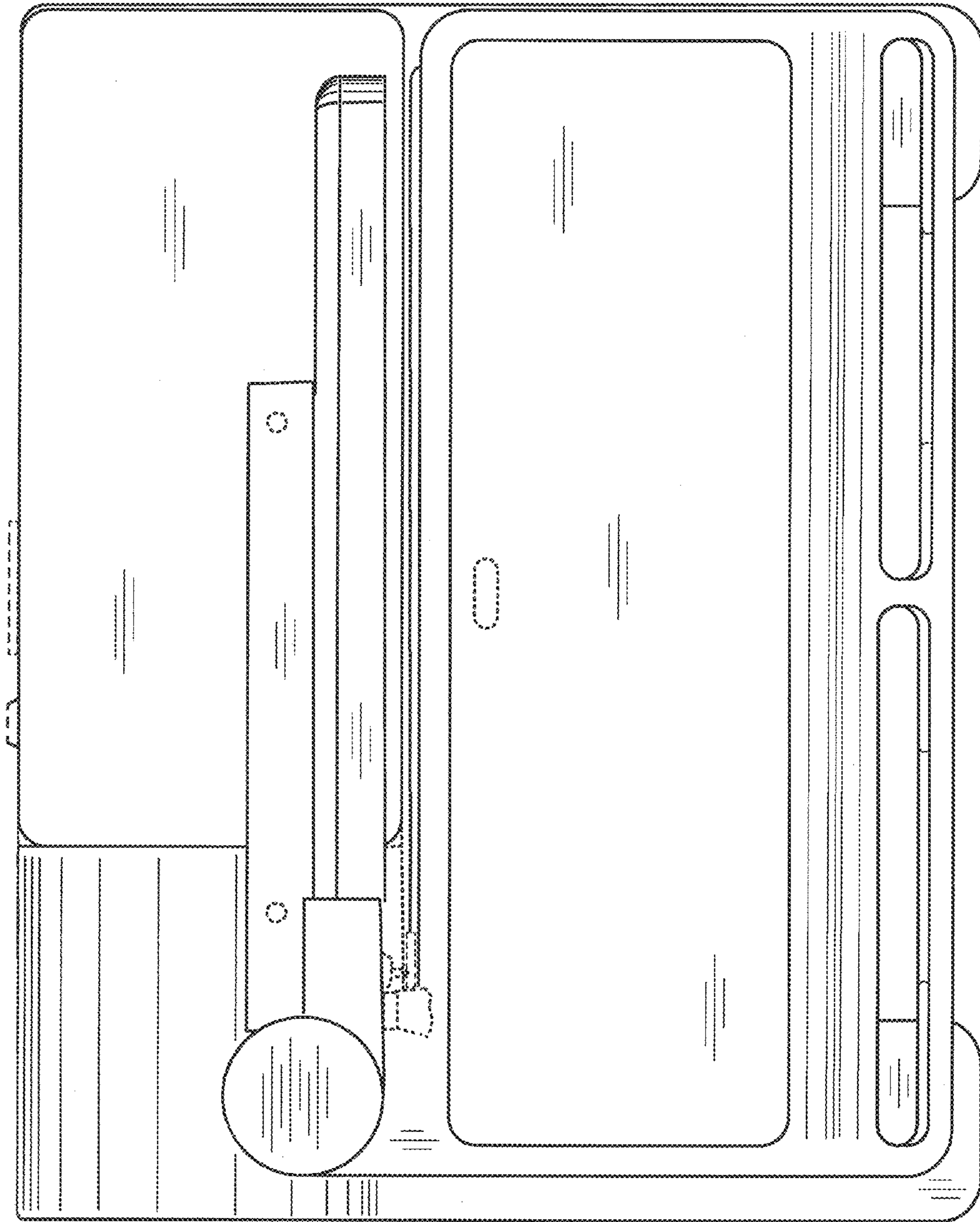


FIG. 4

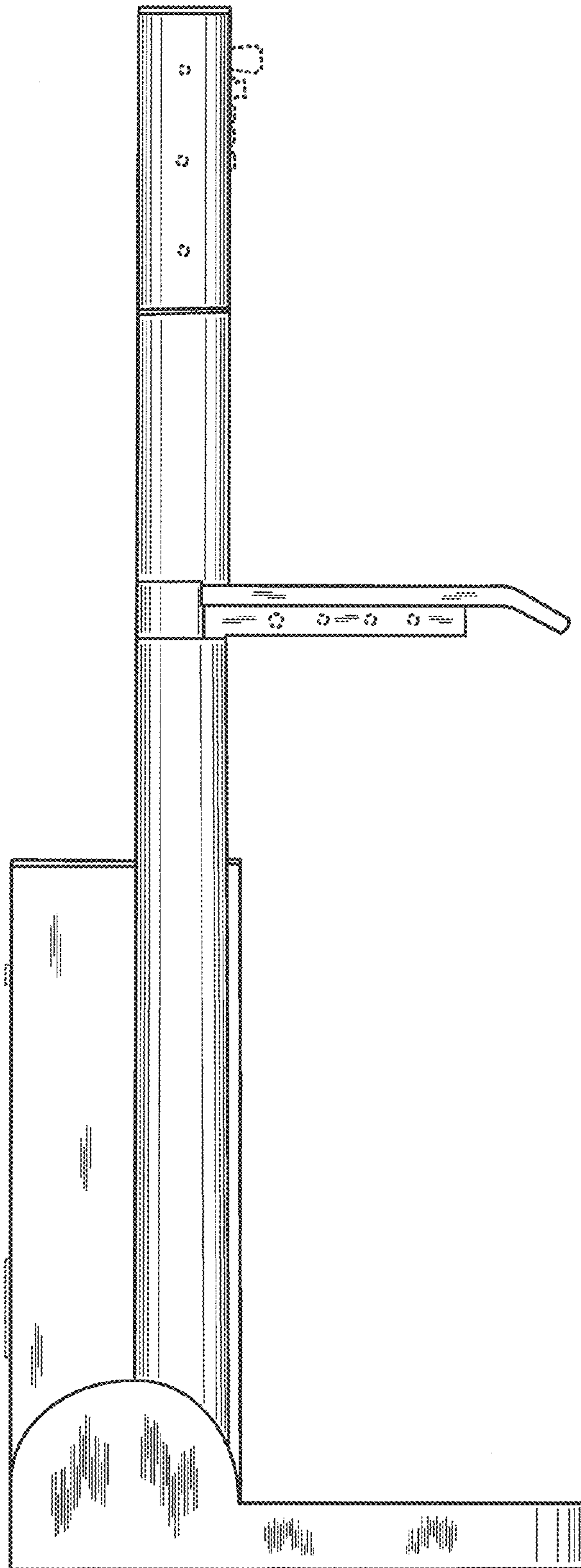


FIG. 5

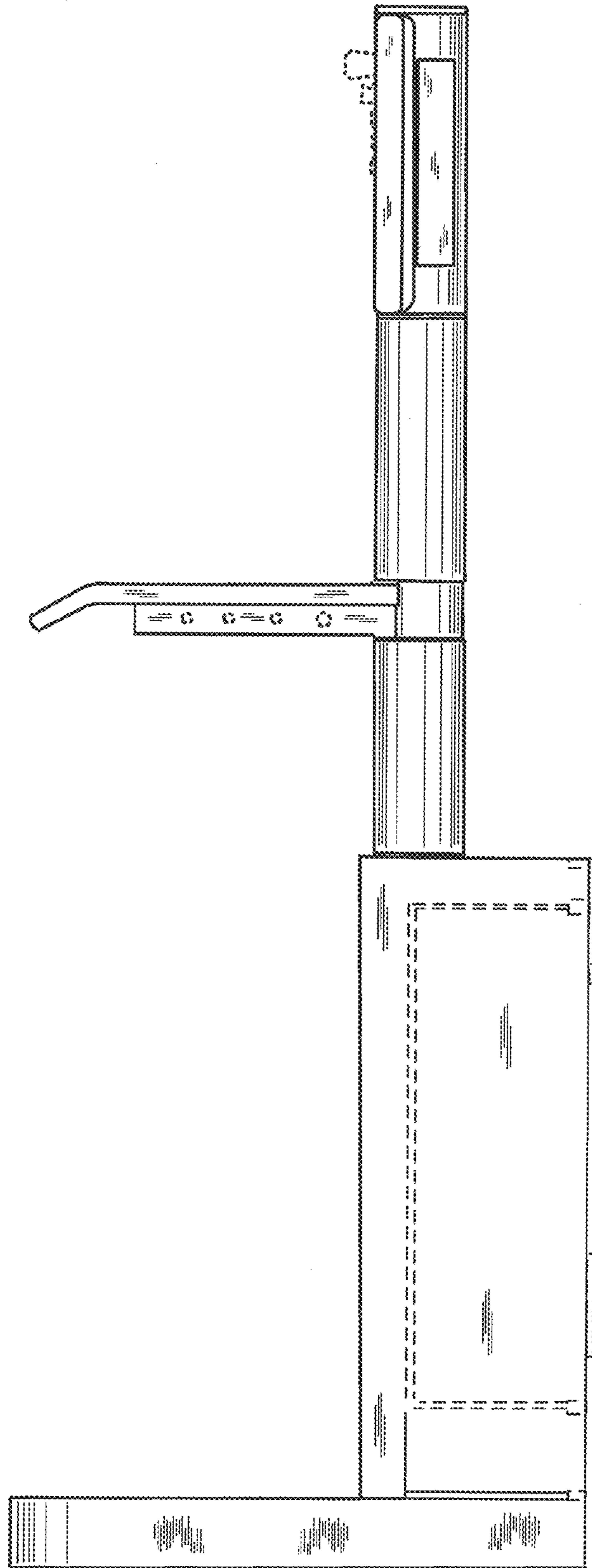


FIG. 6

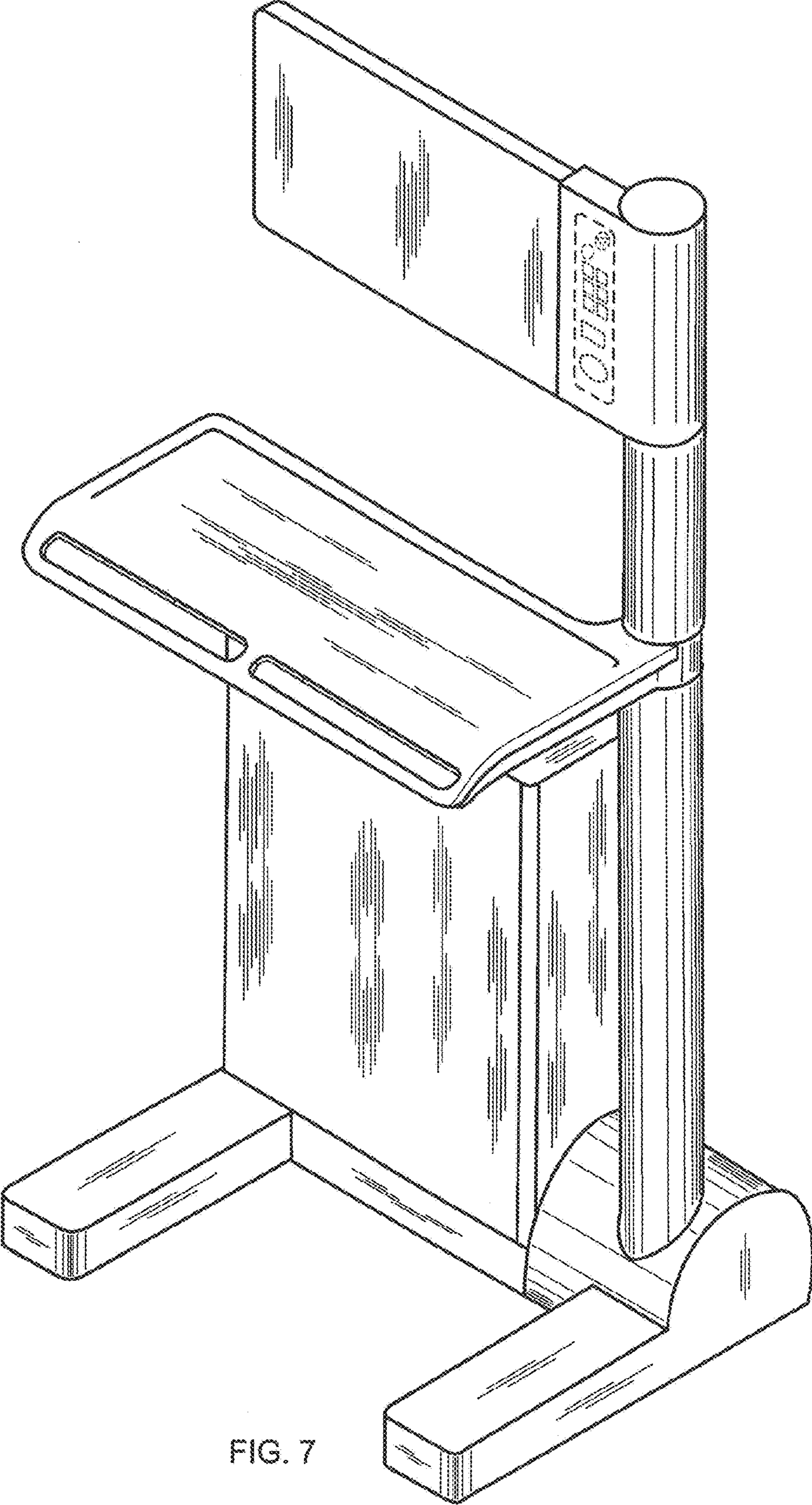


FIG. 7