



US00D761243S

(12) **United States Design Patent**  
**Seefeldt et al.**

(10) **Patent No.:** **US D761,243 S**  
(45) **Date of Patent:** **\*\* Jul. 12, 2016**

(54) **DISPLAY**

D707,674 S \* 6/2014 Daniel ..... D14/307  
8,783,328 B2 7/2014 Melhart  
2014/0126753 A1 5/2014 Takumai et al.

(71) Applicant: **Dolby Laboratories Licensing Corporation**, San Francisco, CA (US)

FOREIGN PATENT DOCUMENTS

(72) Inventors: **Alan J. Seefeldt**, San Francisco, CA (US); **Lucas E. Saule**, San Francisco, CA (US); **Vincent Voron**, Menlo Park, CA (US)

JP 60259086 A 12/1985  
JP 6078392 A 3/1994

OTHER PUBLICATIONS

(73) Assignee: **Dolby Laboratories Licensing Corporation**, San Francisco, CA (US)

Video Stands and Workstations, Goodfrey Group at <<http://www.goodfreygroup.com/products/pedestals-kiosks-workstations/video-stands-workstations-pedestals.html>>, available at least as early as Sep. 8, 2014.

(\*\*) Term: **14 Years**

The Exhibition—Inspiration, Evolution of Listening at <<http://kayontheradio.wordpress.com/2013/05/05/the-exhibition-inspiration/>>, available at least as early as May 5, 2013.

(21) Appl. No.: **29/517,152**

Elipson revives a classic design to celebrate its 60<sup>th</sup> anniversary, What Hi Fi at <<http://www.whathifi.com/news/elipson-revives-classic-design-to-celebrate-its-60th-anniversary>>, available at least as early as Jan. 19, 2012.

(22) Filed: **Feb. 10, 2015**

U.S. Appl. No. 29/517,146 of Vincent Voron et al. titled “Display” filed Feb. 10, 2015. (Unpublished).

(51) **LOC (10) Cl.** ..... **14-02**

(52) **U.S. Cl.**

USPC ..... **D14/302**

(58) **Field of Classification Search**

USPC ..... D14/300, 304–308, 126, 496; D13/163; D12/319; D6/641, 642, 664

CPC ..... A47B 21/00; A47B 21/06; A47B 13/08; A47B 35/00; A47B 21/0314; A47B 17/003; A47B 83/001; G06Q 20/10; G06Q 20/18; G06Q 20/20; G06Q 20/123; A47F 9/047; A47G 5/00; E04B 2/7433; E04H 3/24

See application file for complete search history.

\* cited by examiner

*Primary Examiner* — Freda S Nunn

(57)

**CLAIM**

The ornamental design for a display, as shown and described.

**DESCRIPTION**

FIG. 1 is a front perspective view of a display showing our new design;

FIG. 2 is a front view thereof;

FIG. 3 is a right side view thereof, the left side being a mirror image thereof;

FIG. 4 is a rear view thereof;

FIG. 5 is a top view thereof; and,

FIG. 6 is a bottom view thereof.

The dotted broken lines illustrate structure or features that form no part of the claimed design.

The dot-dash broken lines illustrate boundaries of the claimed design; the boundaries themselves form no part of the claimed design.

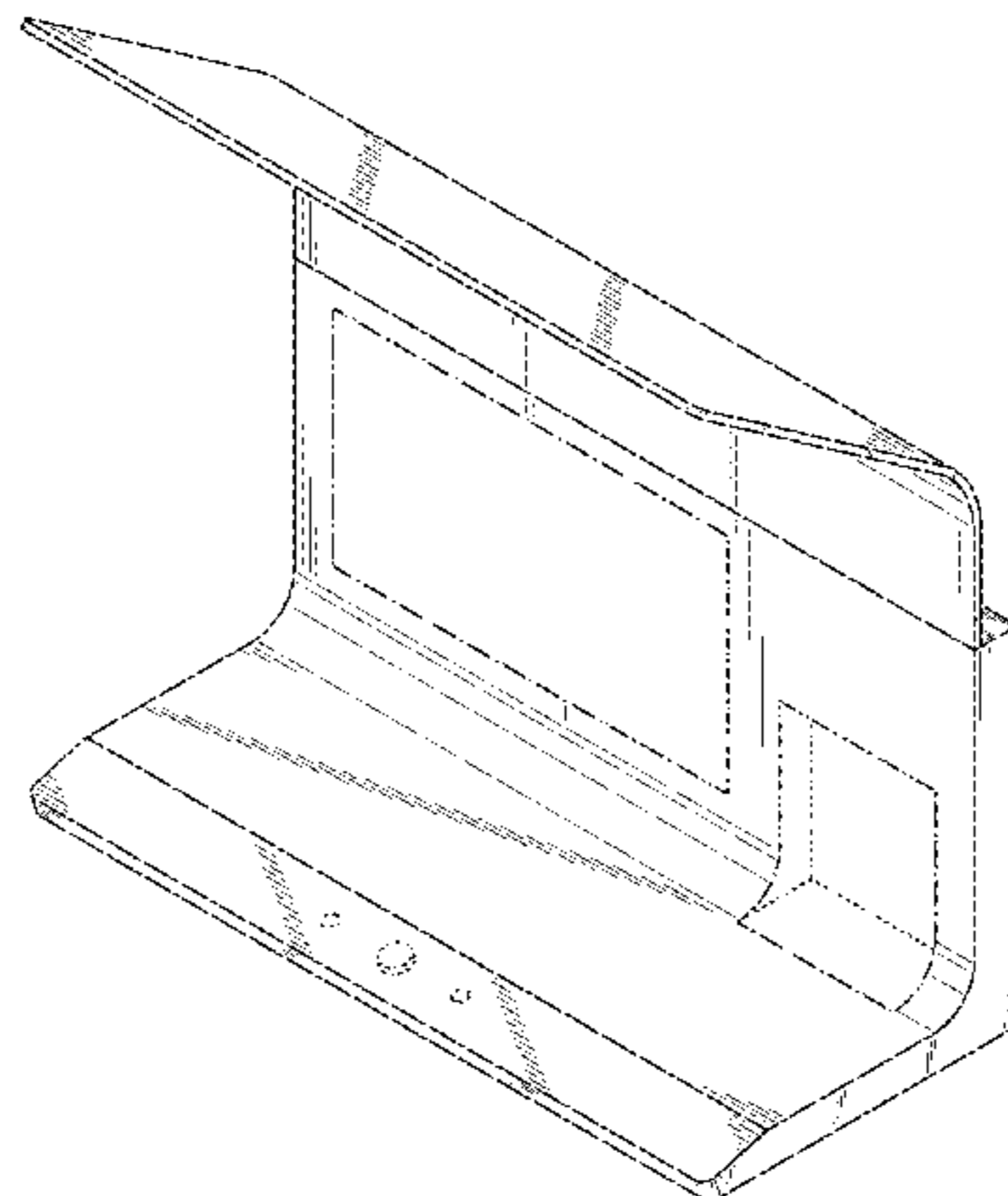
The drawings include surface shading which represents contour, not surface ornamentation.

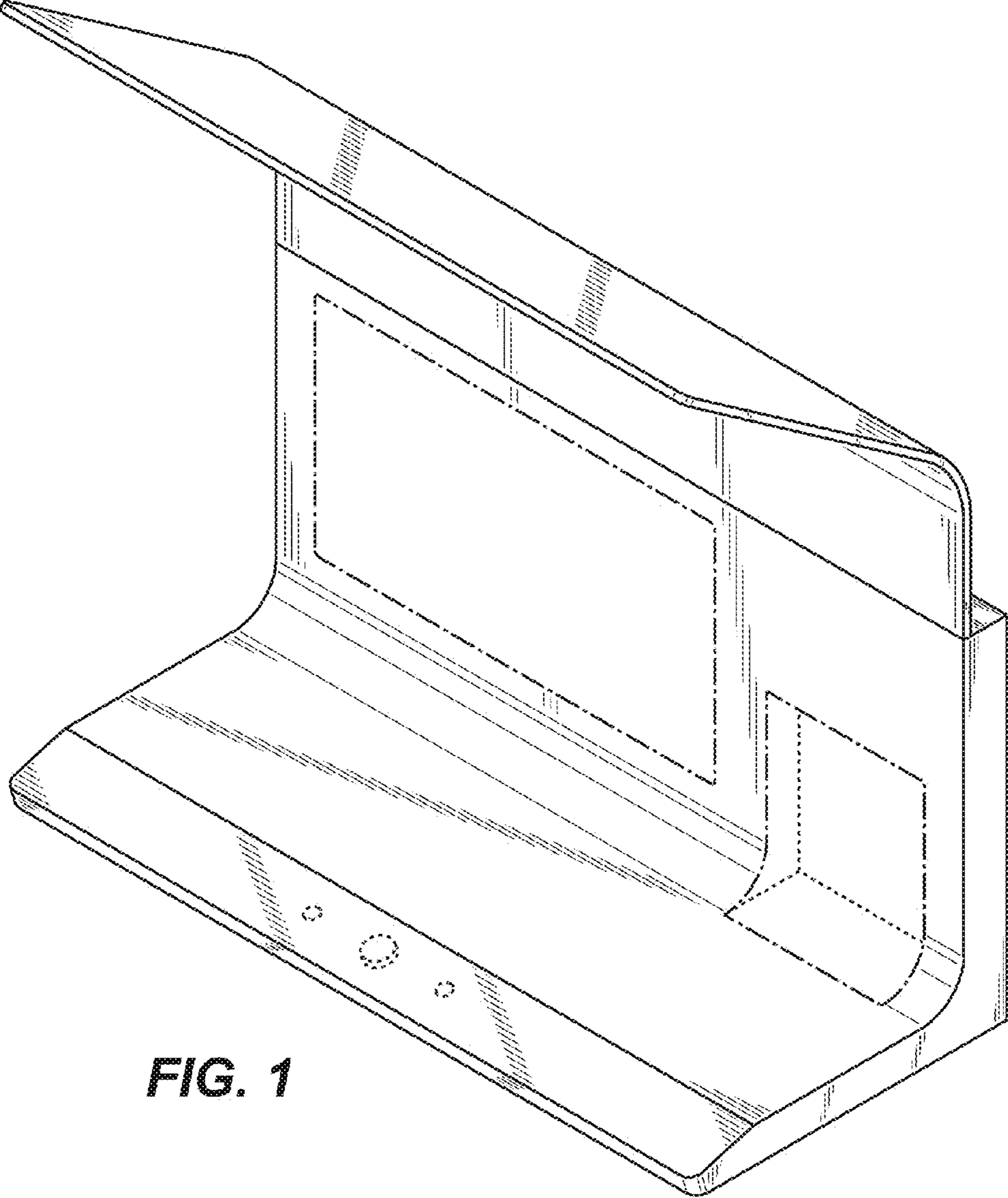
(56) **References Cited**

U.S. PATENT DOCUMENTS

4,241,777 A \* 12/1980 Wenger ..... A47G 5/00  
160/135  
5,646,378 A \* 7/1997 Van Haaff ..... H04R 5/02  
181/144  
5,651,405 A \* 7/1997 Boeddeker ..... E04H 3/24  
160/135  
D519,115 S \* 4/2006 Lee ..... D14/307  
D566,703 S \* 4/2008 Malone ..... D14/307  
D651,784 S \* 1/2012 Rohan ..... D14/307  
D681,612 S \* 5/2013 Palacios ..... D14/172

**1 Claim, 4 Drawing Sheets**





**FIG. 1**

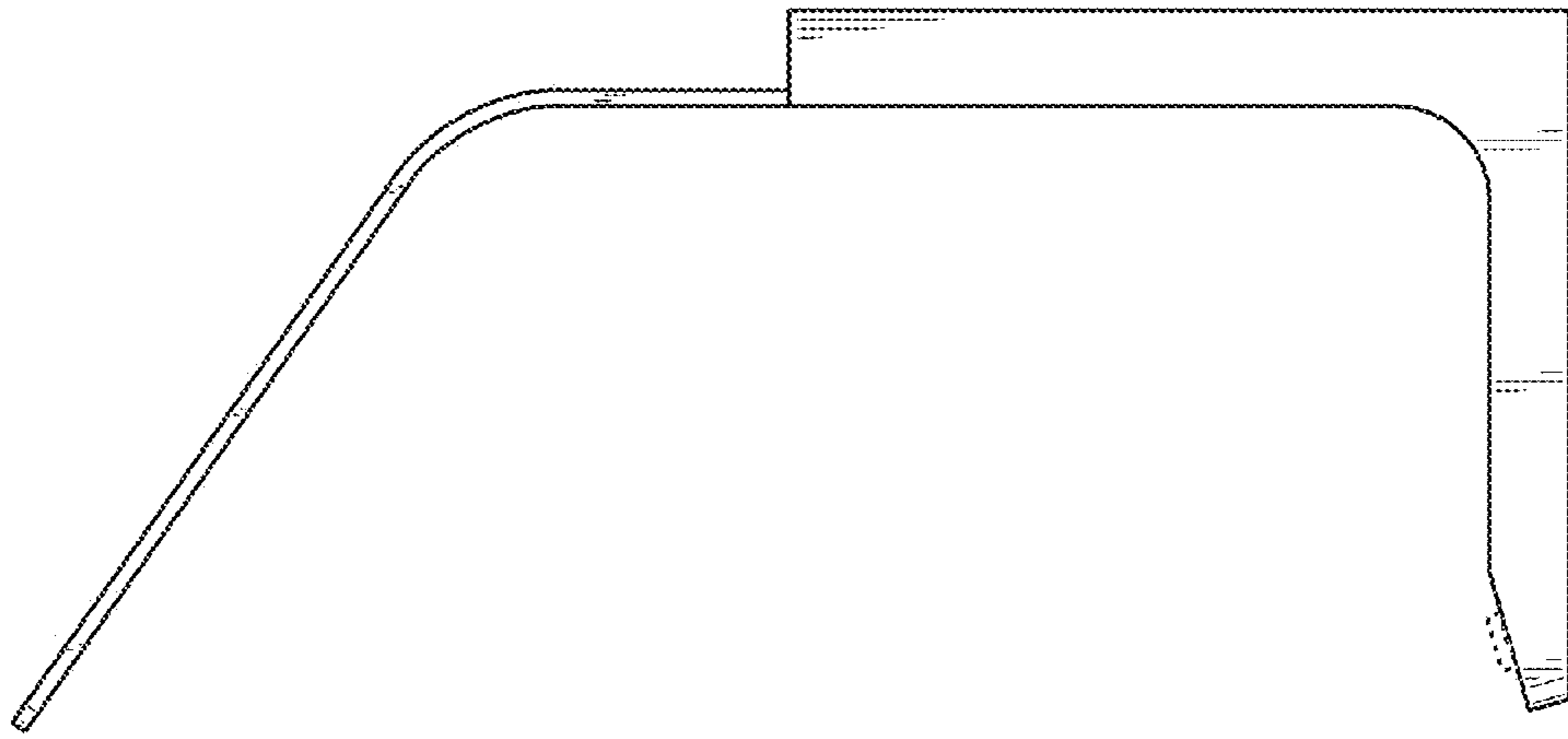


FIG. 3

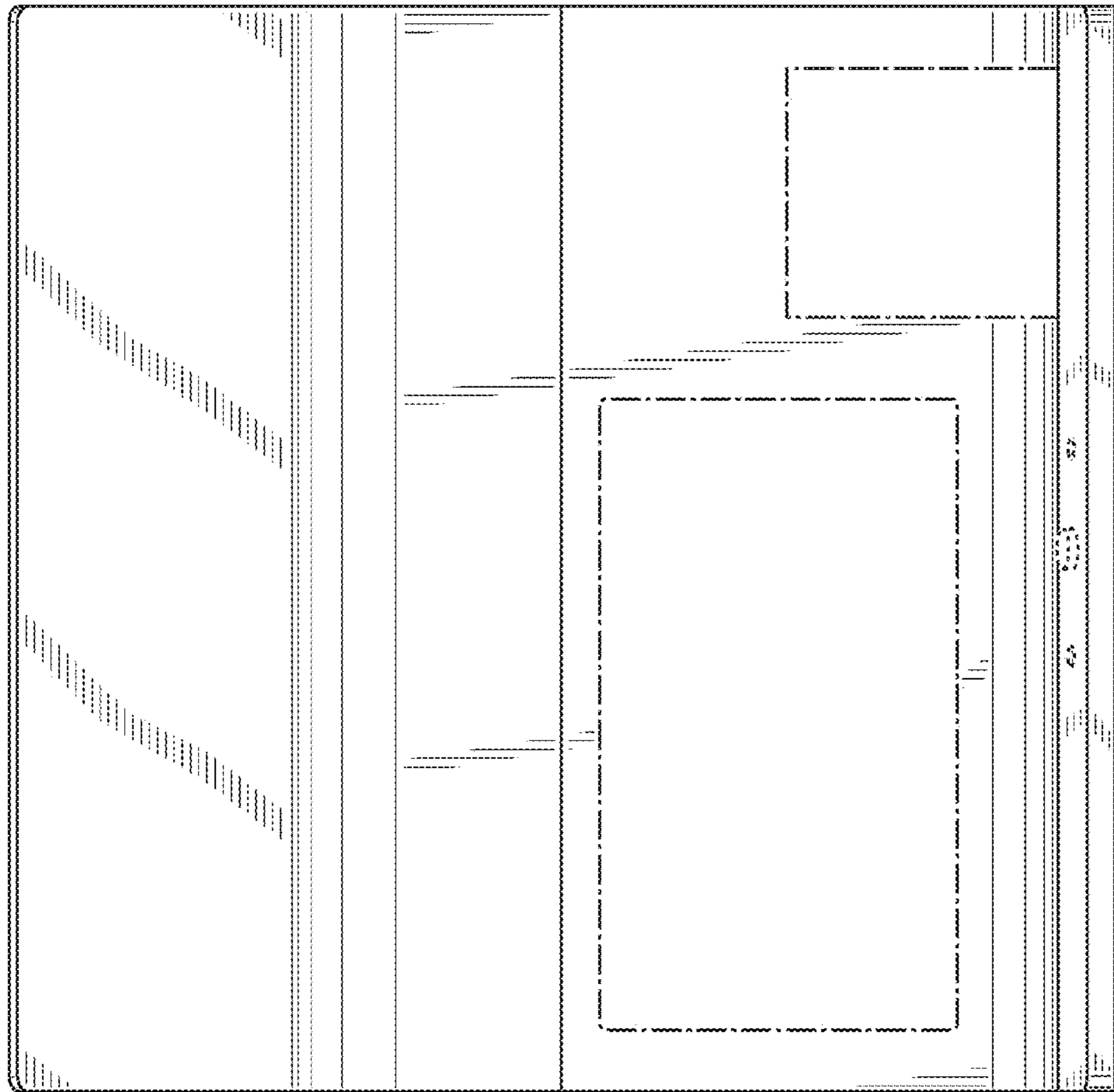


FIG. 2

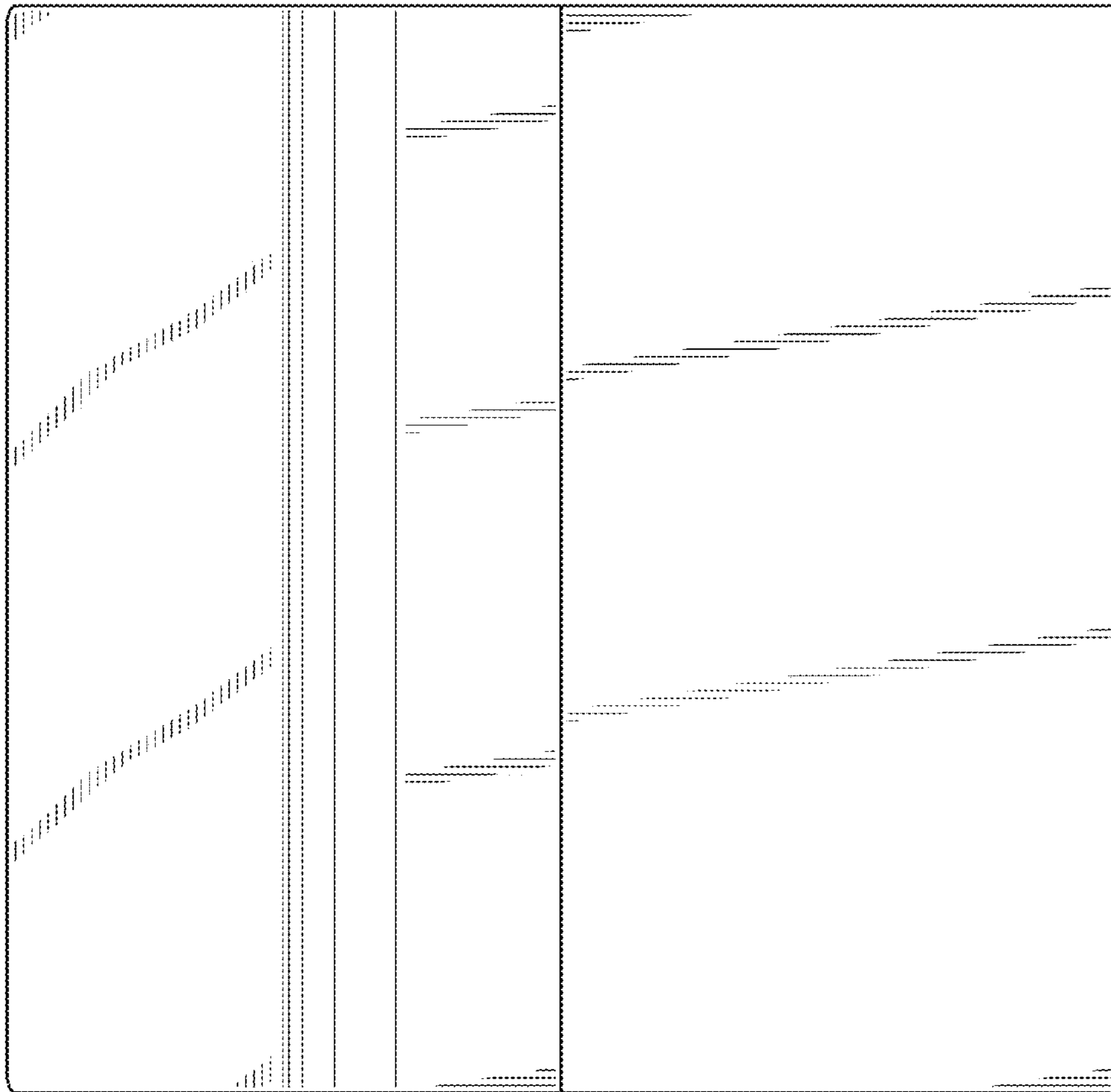
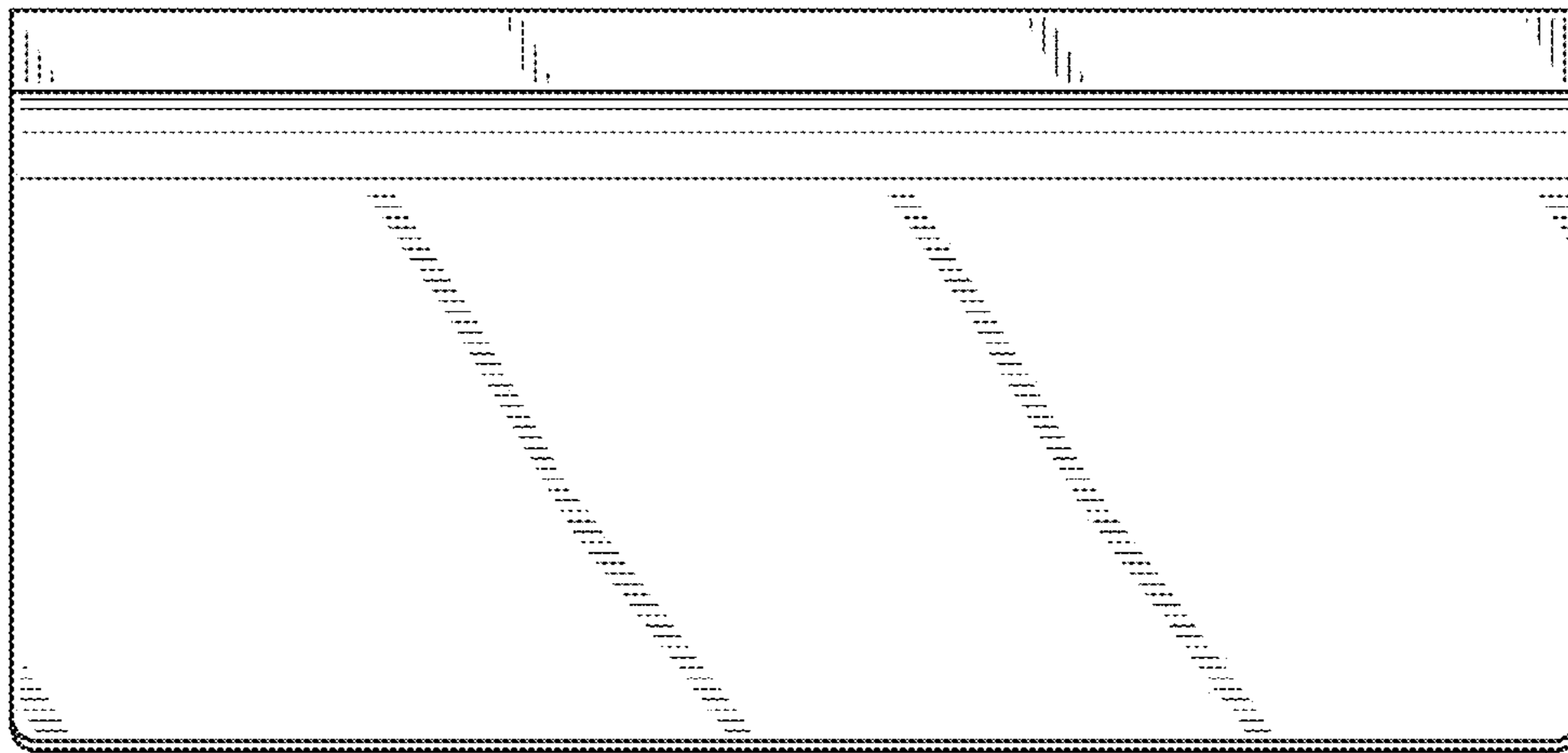
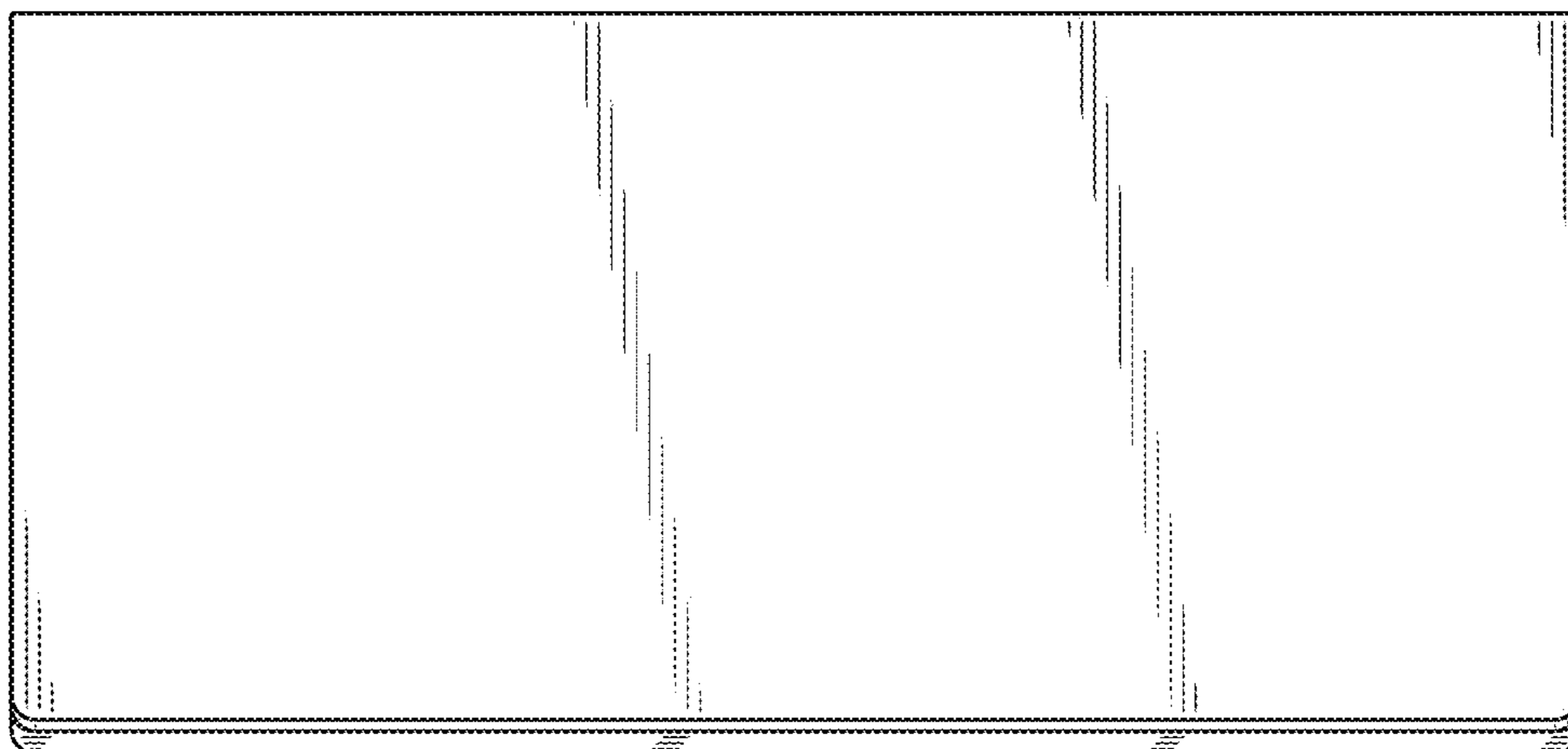


FIG. 4



**FIG. 5**



**FIG. 6**