



US00D761240S

(12) **United States Design Patent**  
**Ozolins et al.**

(10) **Patent No.:** **US D761,240 S**  
(45) **Date of Patent:** **\*\* Jul. 12, 2016**

- (54) **MOBILE TELEPHONE CASE**
- (71) Applicant: **BLOOMBERG FINANCE L.P.**, New York, NY (US)
- (72) Inventors: **Helmars E. Ozolins**, Orient, NY (US);  
**Avram Kaufman**, New York, NY (US);  
**Adam Goldsmith**, Larchmont, NY (US);  
**Sean Roarty**, Ossining, NY (US); **Sigrid G. Moeslinger**, New York, NY (US);  
**Masamichi Udagawa**, New York, NY (US)
- (73) Assignee: **Bloomberg Finance L.P.**, New York, NY (US)
- (\*\*) Term: **14 Years**
- (21) Appl. No.: **29/511,944**
- (22) Filed: **Dec. 15, 2014**
- (51) **LOC (10) Cl.** ..... **14-03**
- (52) **U.S. Cl.**  
USPC ..... **D14/250**
- (58) **Field of Classification Search**  
USPC ..... D14/238.1, 250, 440, 203.3–203.7, 217,  
D14/240, 248, 251–253, 447, 496, 143, 189,  
D14/203.2; D3/201, 218, 247, 269, 273,  
D3/301, 303; D13/103, 107–108, 119  
CPC ..... A45C 1/06; A45C 11/00; A45C 13/02;  
A45C 2011/002; A45F 2005/026; A45F  
2200/0525; A45F 2200/0516; H04B 1/3888;  
H04M 1/0283; H04M 1/0202  
See application file for complete search history.

- D676,036 S \* 2/2013 Chang ..... D14/250
- D679,684 S \* 4/2013 Baker ..... D14/250
- D686,199 S \* 7/2013 Fahrendorff ..... D14/250
- D698,772 S \* 2/2014 Merenda ..... D14/250
- 8,759,675 B2 \* 6/2014 Rajeswaran ..... G06F 1/1626  
174/50
- D709,439 S \* 7/2014 Ferber ..... D13/103
- D710,346 S \* 8/2014 Smith ..... D14/250
- D719,950 S \* 12/2014 Smith ..... D14/250
- D726,171 S \* 4/2015 Edwards ..... D14/250
- D727,305 S \* 4/2015 Fisher ..... D14/250
- D728,468 S \* 5/2015 Ferber ..... D13/103
- D728,469 S \* 5/2015 Castelli ..... D13/103
- D728,551 S \* 5/2015 Saeki ..... D14/250
- D732,011 S \* 6/2015 Stevinson ..... D14/250

(Continued)

**OTHER PUBLICATIONS**

BungeeAir security case for iPhone 4, published Sep. 16, 2011,  
URL: <<https://www.helpnetsecurity.com/2011/09/16/security-case-for-iphone-4/>>, retrieved from internet on Mar. 2, 2016.\*

*Primary Examiner* — Carla Jobe Wright

(74) *Attorney, Agent, or Firm* — Chiesa Shahinian & Giantomasi PC

(57) **CLAIM**

The ornamental design for a mobile telephone case, as shown and described.

**DESCRIPTION**

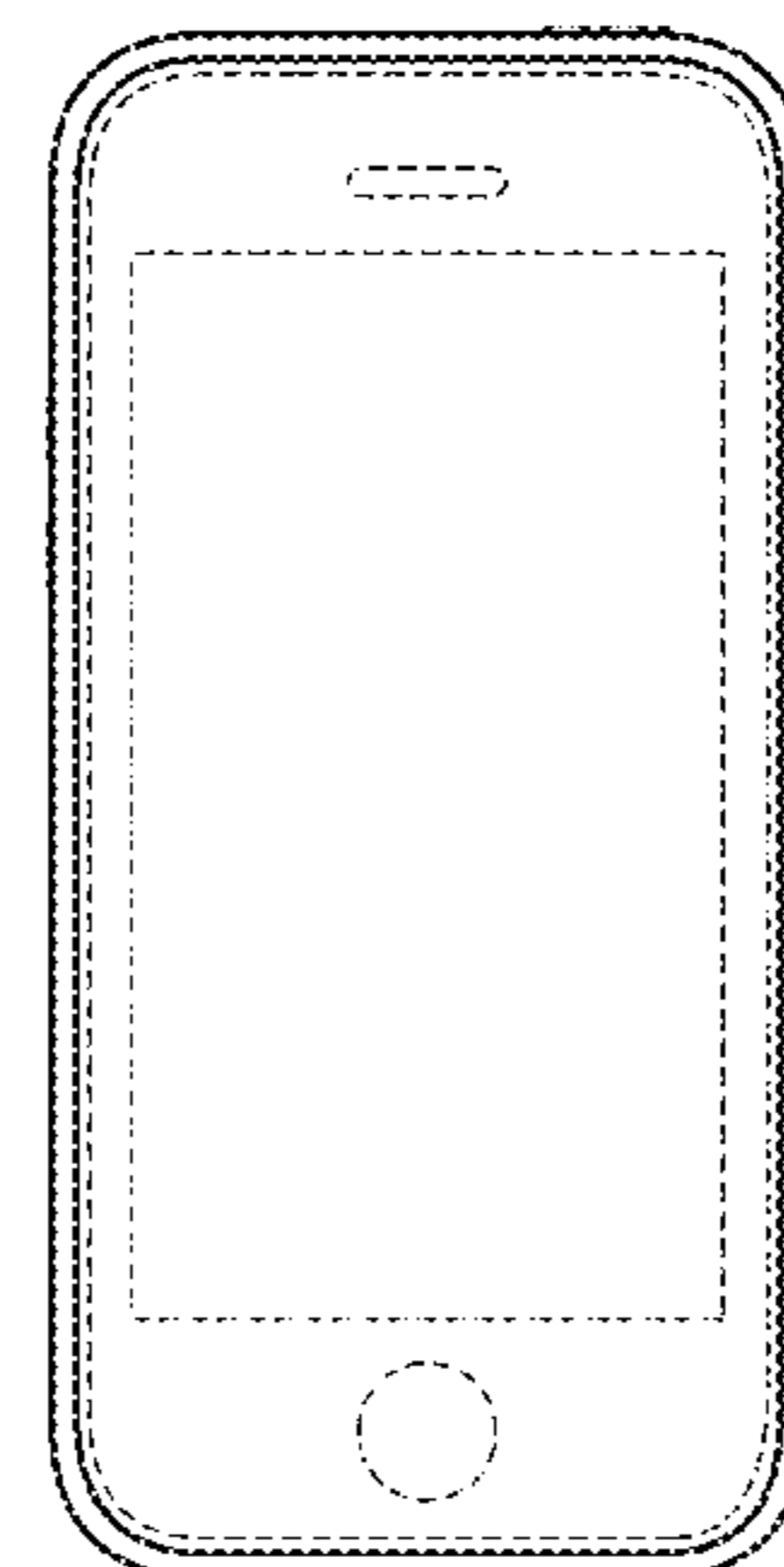
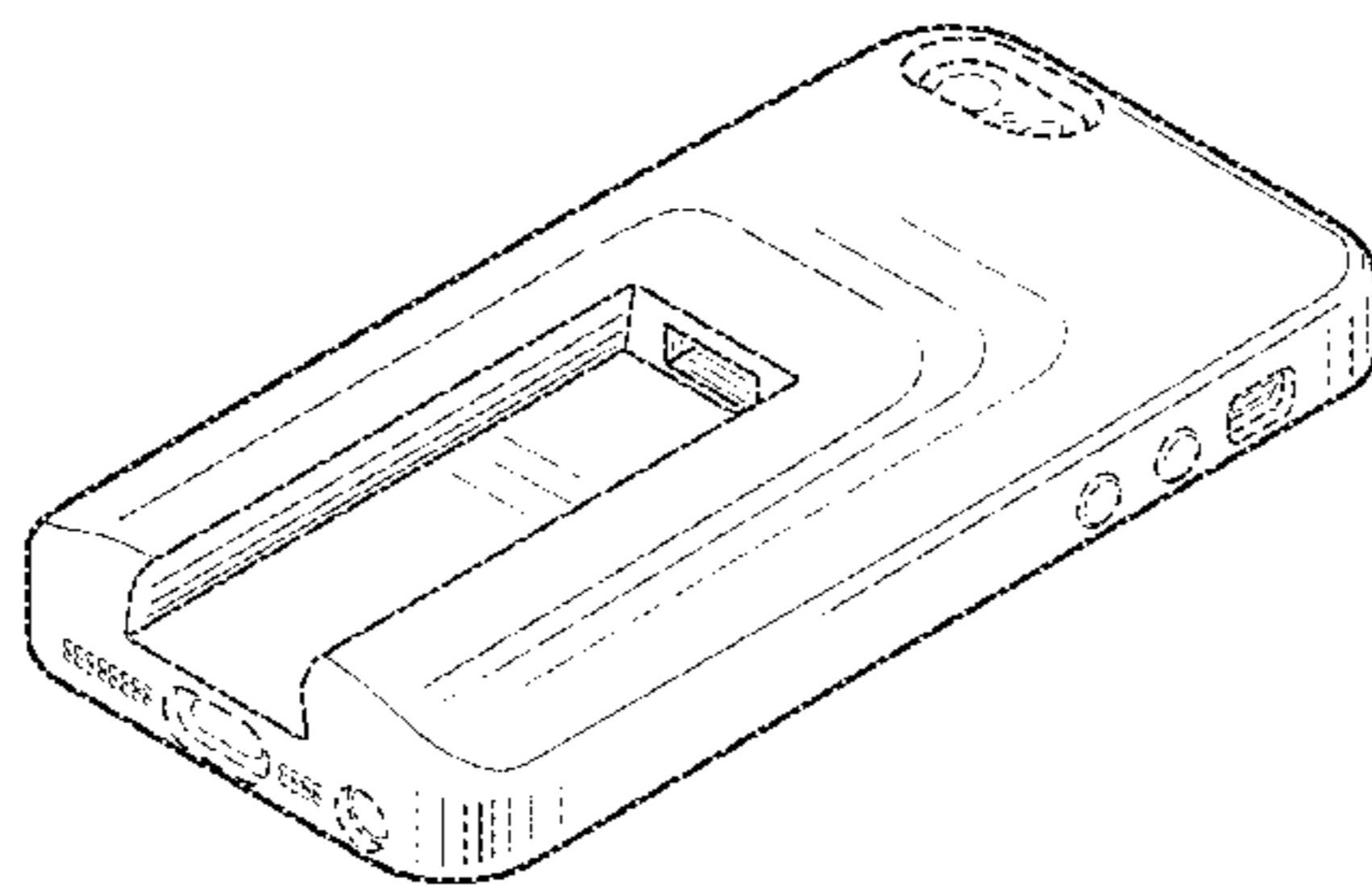
FIG. 1 is a bottom right front perspective view of a mobile telephone case according to our design;  
FIG. 2 is a bottom left rear perspective view thereof;  
FIG. 3 is a front view thereof;  
FIG. 4 is a rear view thereof;  
FIG. 5 is a right side view thereof;  
FIG. 6 is a left side view thereof;  
FIG. 7 is a top view thereof; and,  
FIG. 8 is a bottom view thereof.

The broken lines depict environmental subject matter that forms no part of the claimed design.

**1 Claim, 3 Drawing Sheets**

(56) **References Cited**  
U.S. PATENT DOCUMENTS

- D367,355 S \* 2/1996 Fleming, Jr. .... D3/218
- D485,834 S \* 1/2004 Davetas ..... D14/250
- D523,808 S \* 6/2006 Thor ..... D13/103
- D664,091 S \* 7/2012 Pliner ..... D13/108



# US D761,240 S

Page 2

---

(56)

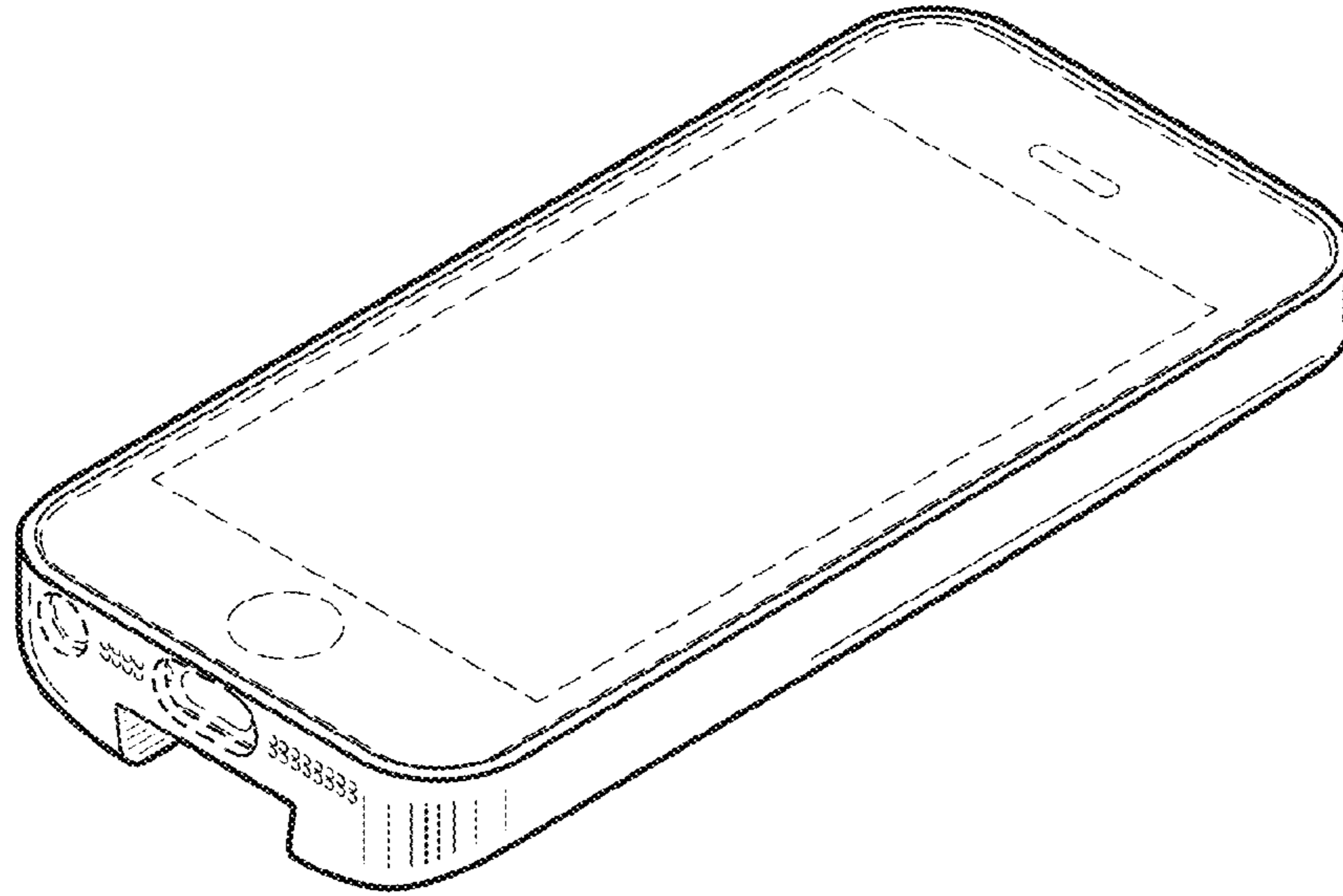
## References Cited

### U.S. PATENT DOCUMENTS

D750,609 S *	3/2016	Daniel	.....	D14/250
2011/0272308 A1 *	11/2011	Andre	.....	G06K 19/005 206/320
D735,706 S *	8/2015	Stevinson	.....	D14/250

\* cited by examiner

**FIG. 1**



**FIG. 2**

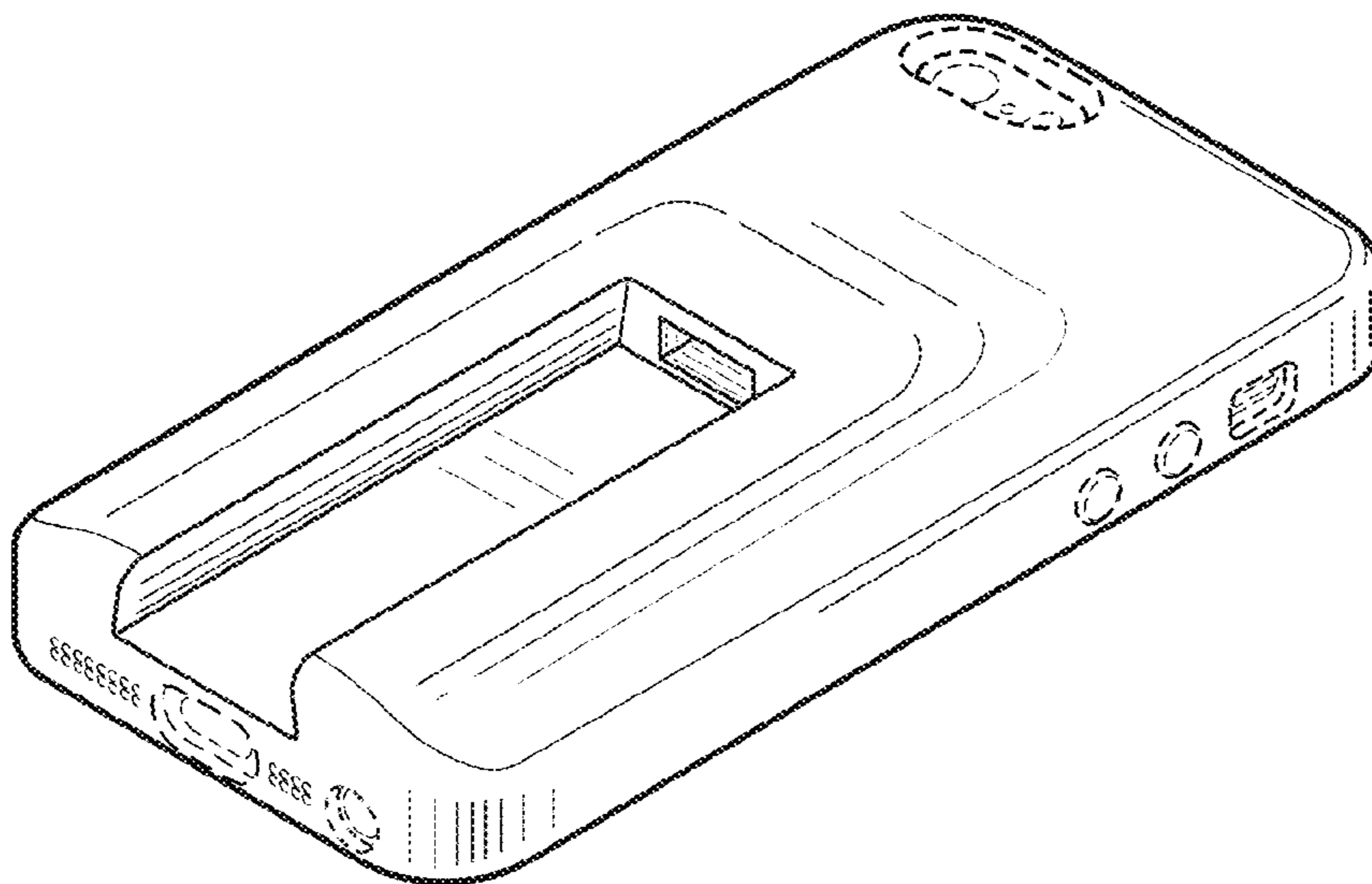


FIG. 3

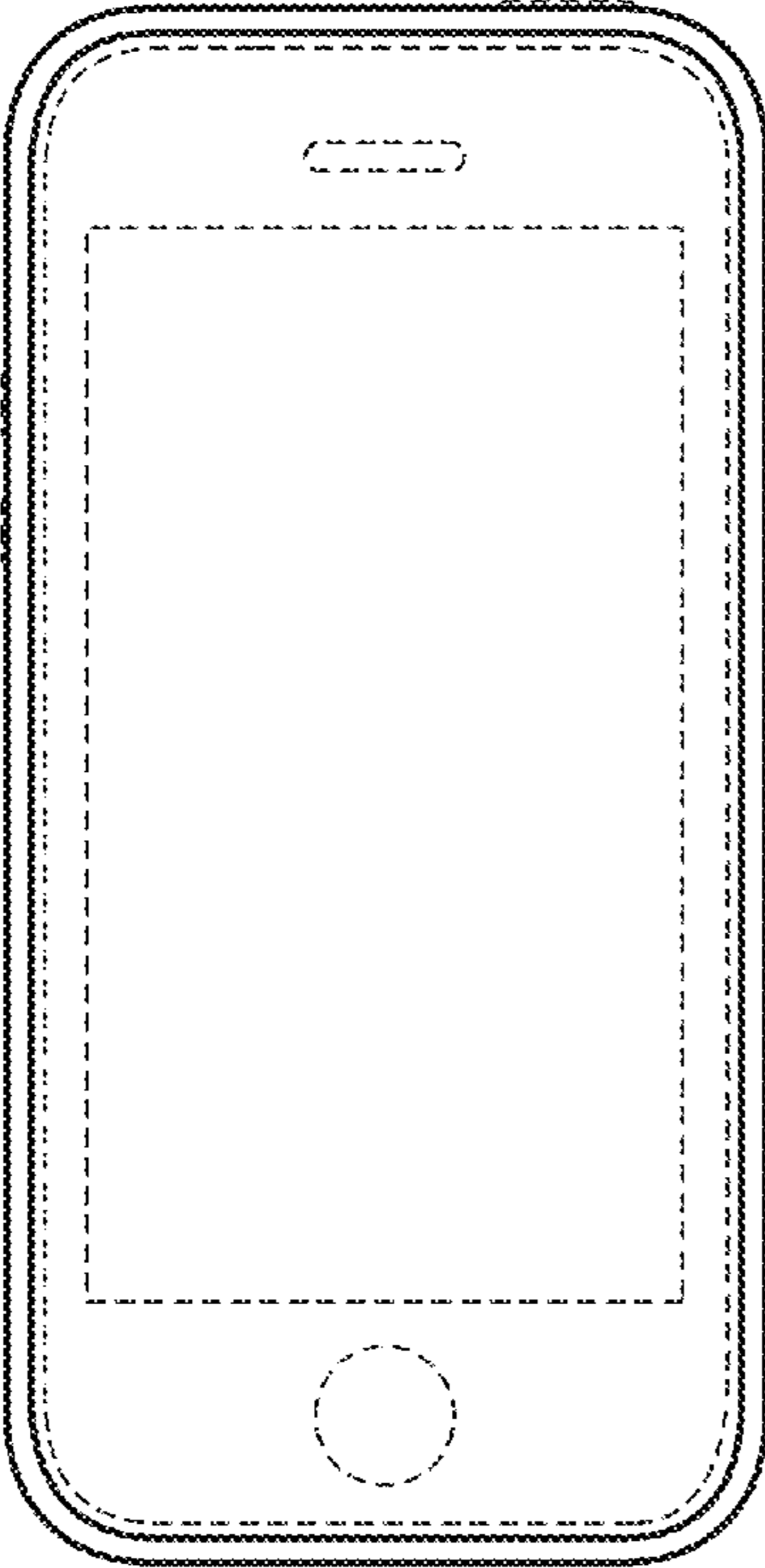


FIG. 4

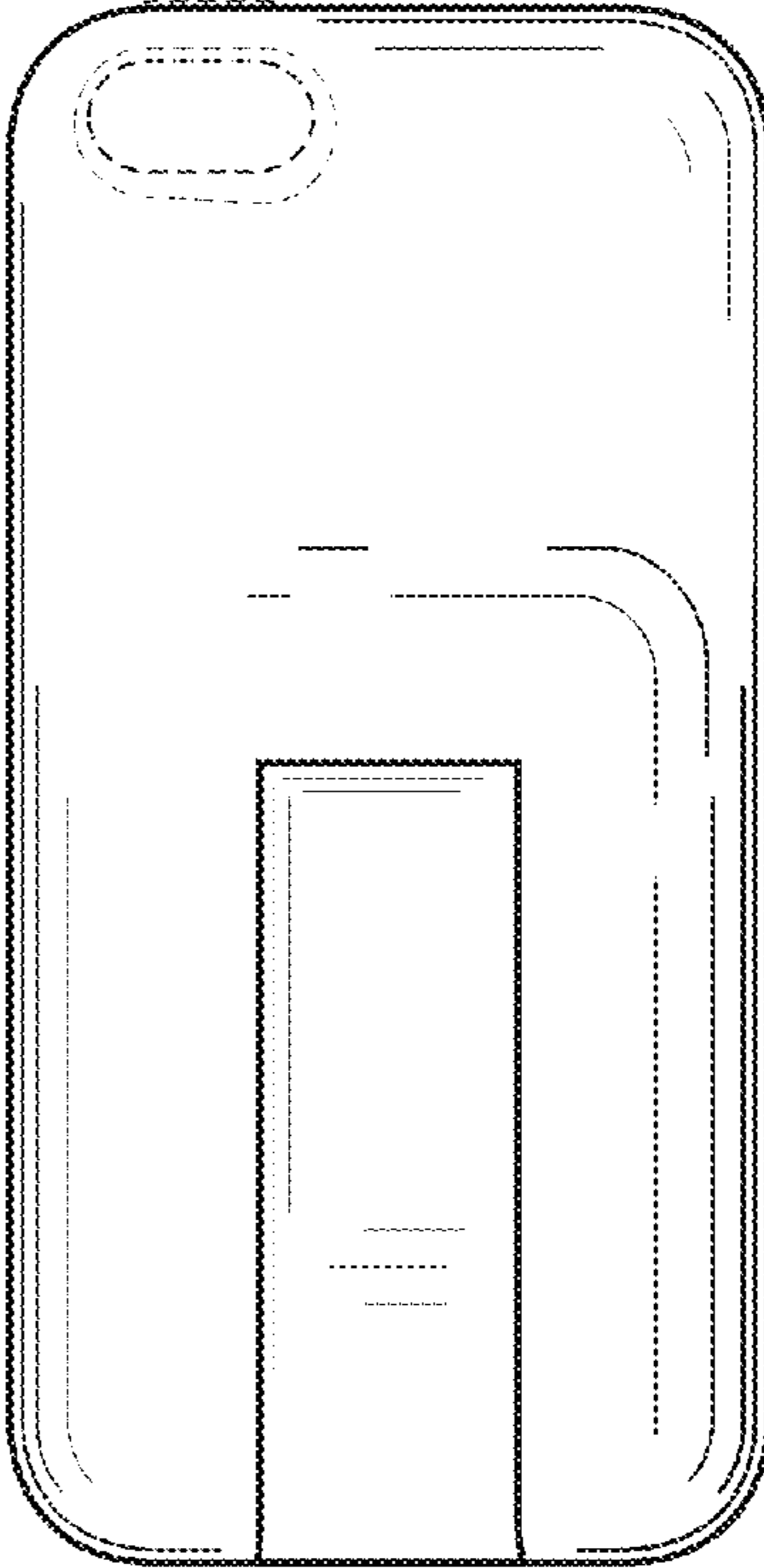


FIG. 5

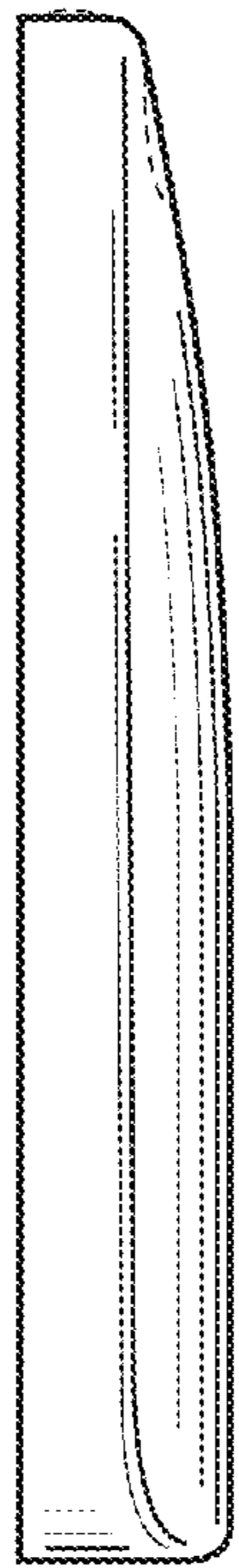


FIG. 6

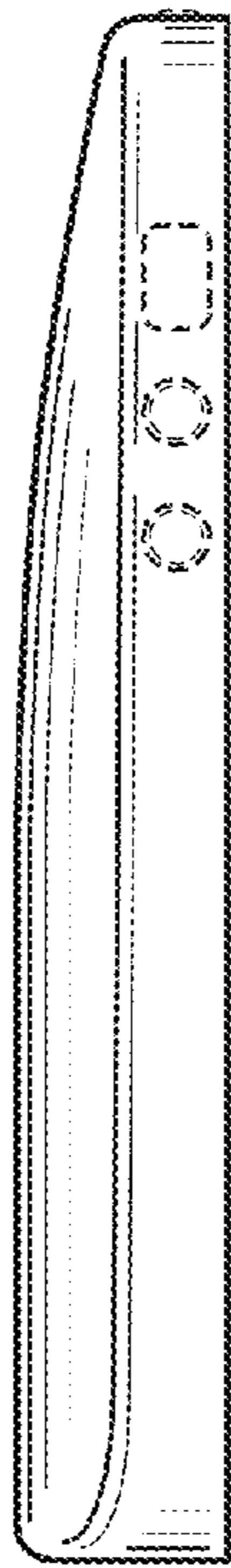


FIG. 7

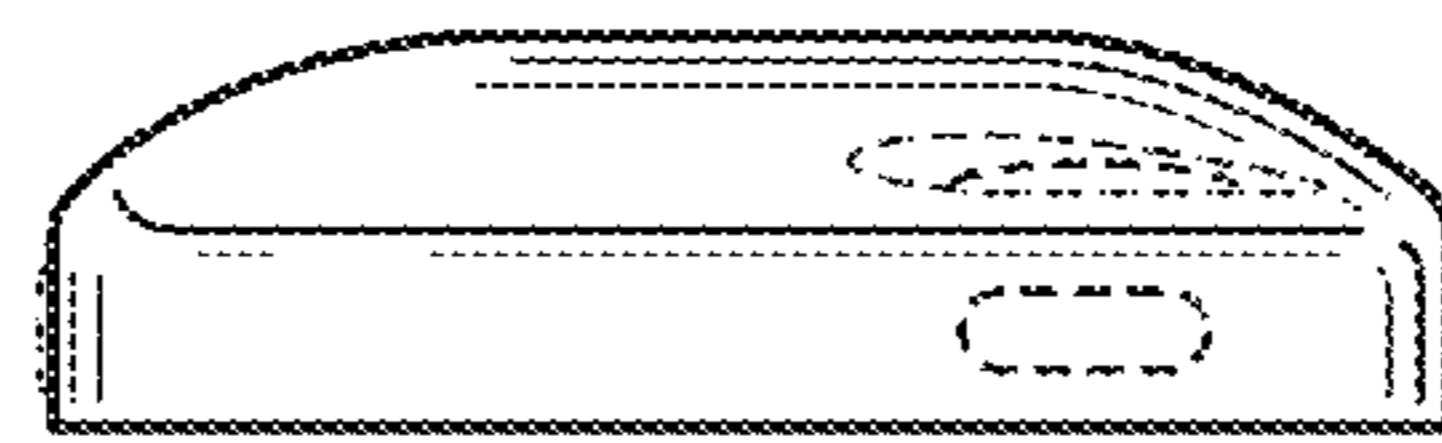


FIG. 8

