



US00D761239S

(12) **United States Design Patent**  
**Kim**

(10) **Patent No.:** **US D761,239 S**  
(45) **Date of Patent:** **\*\* Jul. 12, 2016**

- (54) **CASE FOR ELECTRONIC DEVICE**
- (71) Applicant: **Dae-Young Kim**, Seoul (KR)
- (72) Inventor: **Dae-Young Kim**, Seoul (KR)
- (73) Assignee: **SPIGEN KOREA CO., LTD.**,  
Geumcheon-Gu, Seoul (KR)
- (\*\*) Term: **14 Years**
- (21) Appl. No.: **29/498,352**
- (22) Filed: **Aug. 1, 2014**
- (51) **LOC (10) Cl.** ..... **14-03**
- (52) **U.S. Cl.**  
USPC ..... **D14/250**
- (58) **Field of Classification Search**  
USPC ..... D14/250–253, 440, 203.3–203.7, 217,  
D14/496, 248, 238.1, 240, 447, 230, 247,  
D14/341, 345, 346, 439; D3/201, 218, 269,  
D3/301, 273, 303; D13/103, 107–108;  
220/4.02; 248/309.1; 361/679.56;  
379/426, 433.11, 455; 455/575.1,  
455/575.8; 190/100; 206/305, 320  
CPC ..... A45C 2011/002; A45C 11/00; A45C  
13/002; A45C 2011/003; H04M 1/0283;  
H04M 1/0202; H04M 1/185; H04B 1/3888  
See application file for complete search history.

(56) **References Cited**

**U.S. PATENT DOCUMENTS**

- D662,923 S \* 7/2012 Piedra ..... D14/250
- 8,249,679 B2 \* 8/2012 Cui ..... G06F 1/1626  
455/575.8
- D669,458 S \* 10/2012 Wilson ..... D14/250
- 8,430,240 B2 \* 4/2013 Kim ..... A45C 11/00  
206/320
- D685,365 S \* 7/2013 Murchison ..... D14/250
- D703,197 S \* 4/2014 Melanson ..... D14/250
- D703,650 S \* 4/2014 Ehrlich ..... D14/250
- D718,755 S \* 12/2014 To ..... D14/250
- D719,559 S \* 12/2014 Dukerschein ..... D14/250
- D721,360 S \* 1/2015 Laffon de Mazieres ..... D14/250

- 9,004,275 B2 \* 4/2015 Lee ..... A45C 11/00  
206/320
- D733,693 S \* 7/2015 Wang ..... D14/248
- D736,205 S \* 8/2015 Park ..... D14/138 R
- D741,279 S \* 10/2015 Tai ..... D14/138 G
- 2014/0110276 A1 \* 4/2014 Stiehl ..... B29C 45/1676  
206/37

\* cited by examiner

*Primary Examiner* — Sandra Snapp

*Assistant Examiner* — Holly E Thurman

(74) *Attorney, Agent, or Firm* — East West Law Group;  
Heedong Chae

(57) **CLAIM**

The ornamental design for a case for electronic device, as shown and described.

**DESCRIPTION**

FIG. 1 is a front perspective view of a case for electronic device, comprised of inner portion and outer portion, showing my new design;

FIG. 2 is a rear perspective view thereof;

FIG. 3 is a front elevational view thereof;

FIG. 4 is a rear elevational view thereof;

FIG. 5 is a left side elevational view thereof;

FIG. 6 is a right side elevational view thereof;

FIG. 7 is a top plan view thereof;

FIG. 8 is a bottom plan view thereof;

FIG. 9 is an exploded front perspective view thereof, showing the inner and outer portions of the case for electronic device separated for clarity of disclosure;

FIG. 10 is an exploded rear perspective view thereof;

FIG. 11 is a front perspective view showing only the inner portion of the case for electronic device for clarity of disclosure;

FIG. 12 is a rear perspective view thereof;

FIG. 13 is a front perspective view showing only the outer portion of the case for electronic device for clarity of disclosure; and,

FIG. 14 is a rear perspective view thereof.

The broken line showing of environment is for illustrative purposes only and forms no part of the claimed design.

**1 Claim, 14 Drawing Sheets**

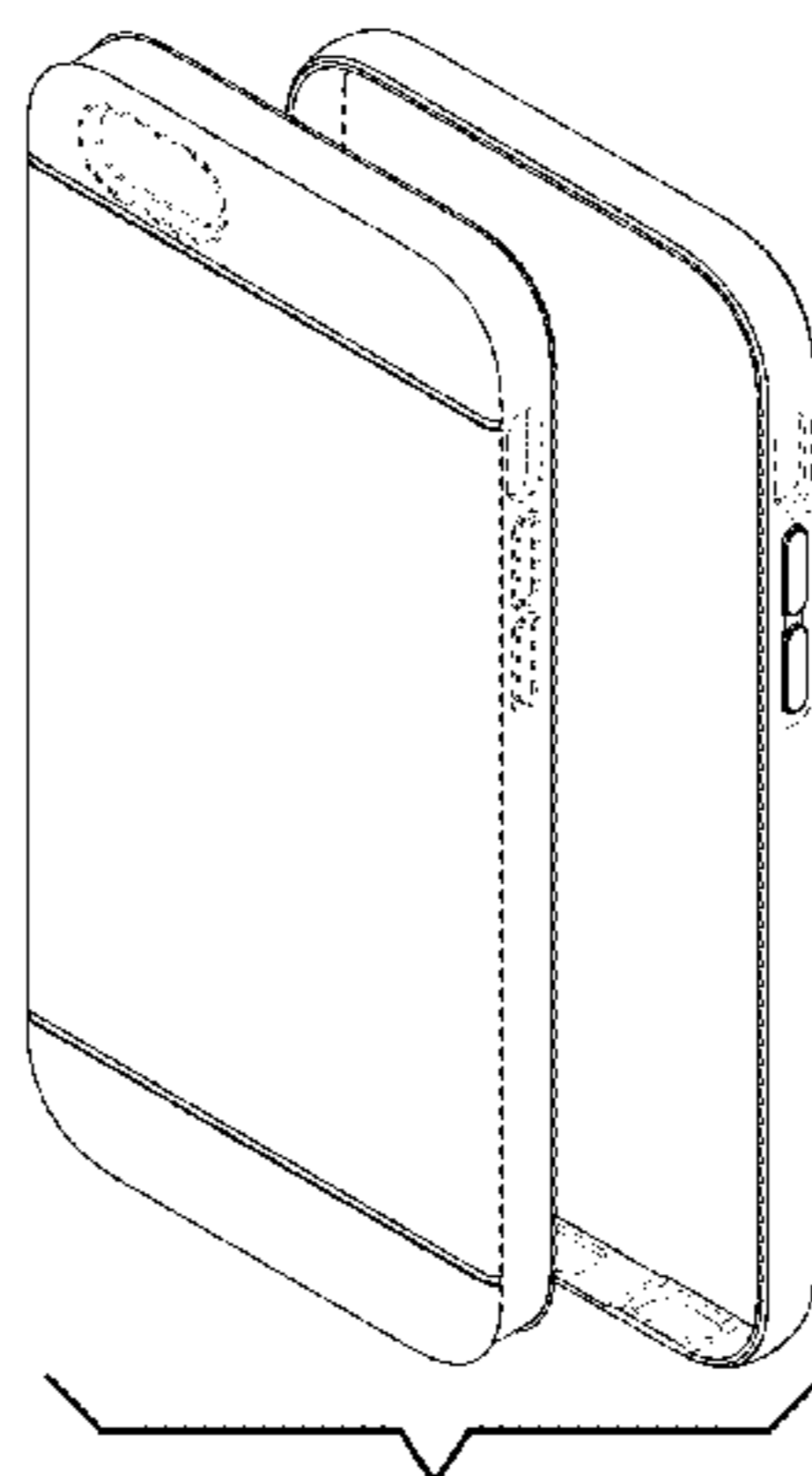


FIG. 1

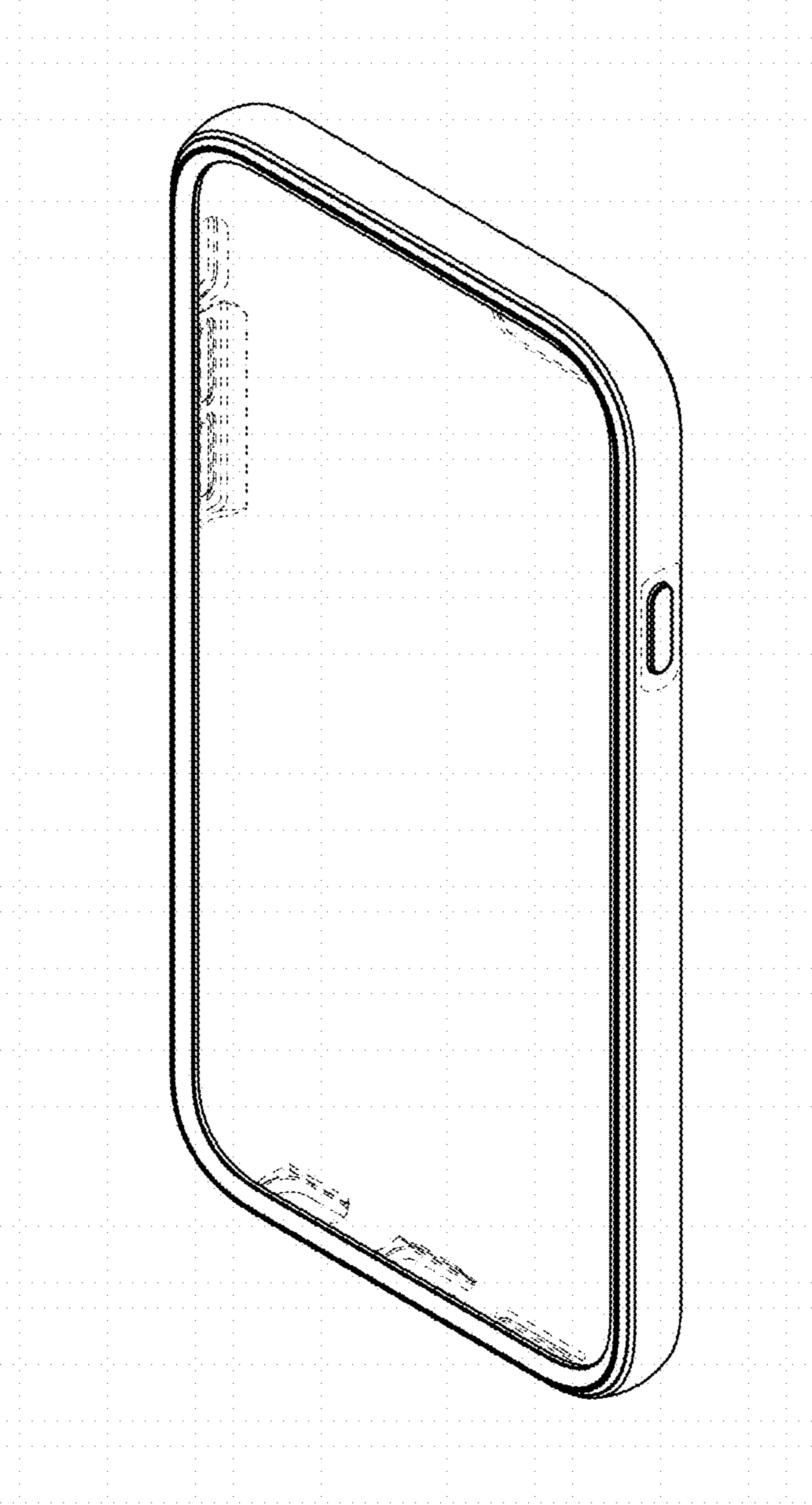


FIG. 2

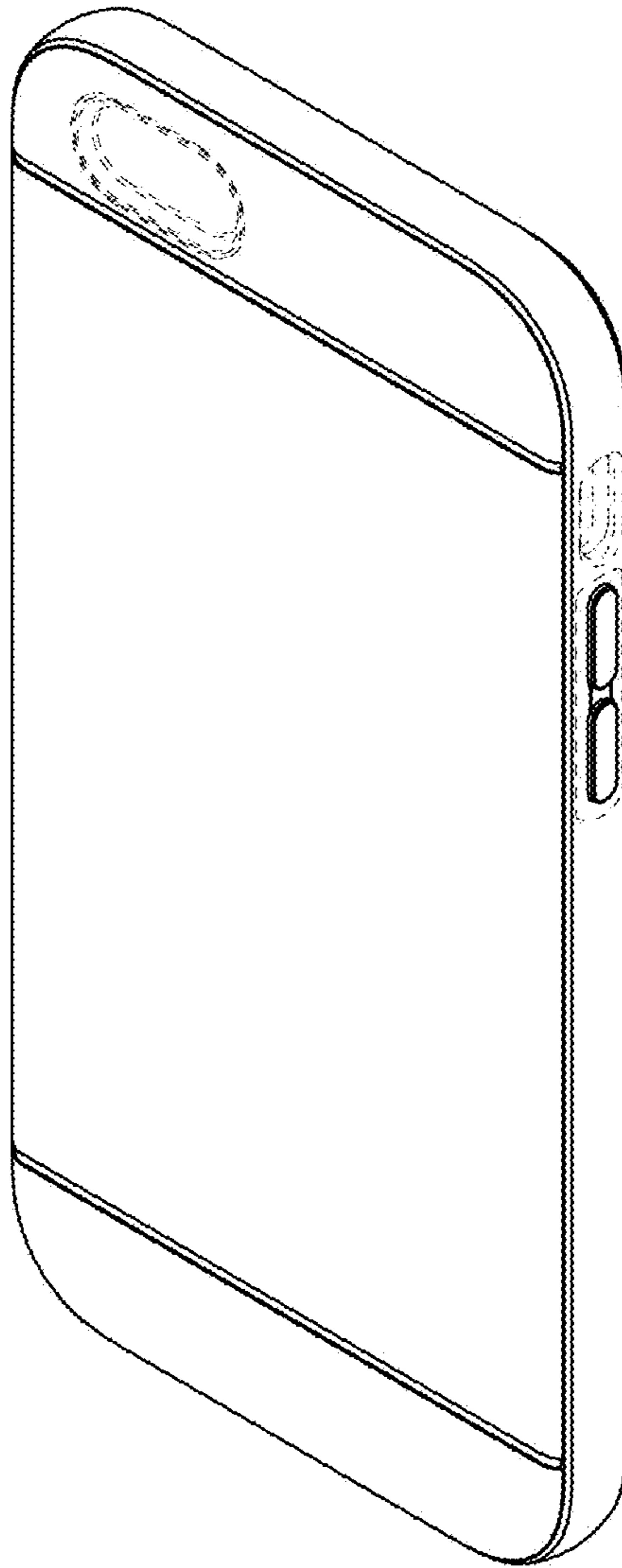


FIG. 3

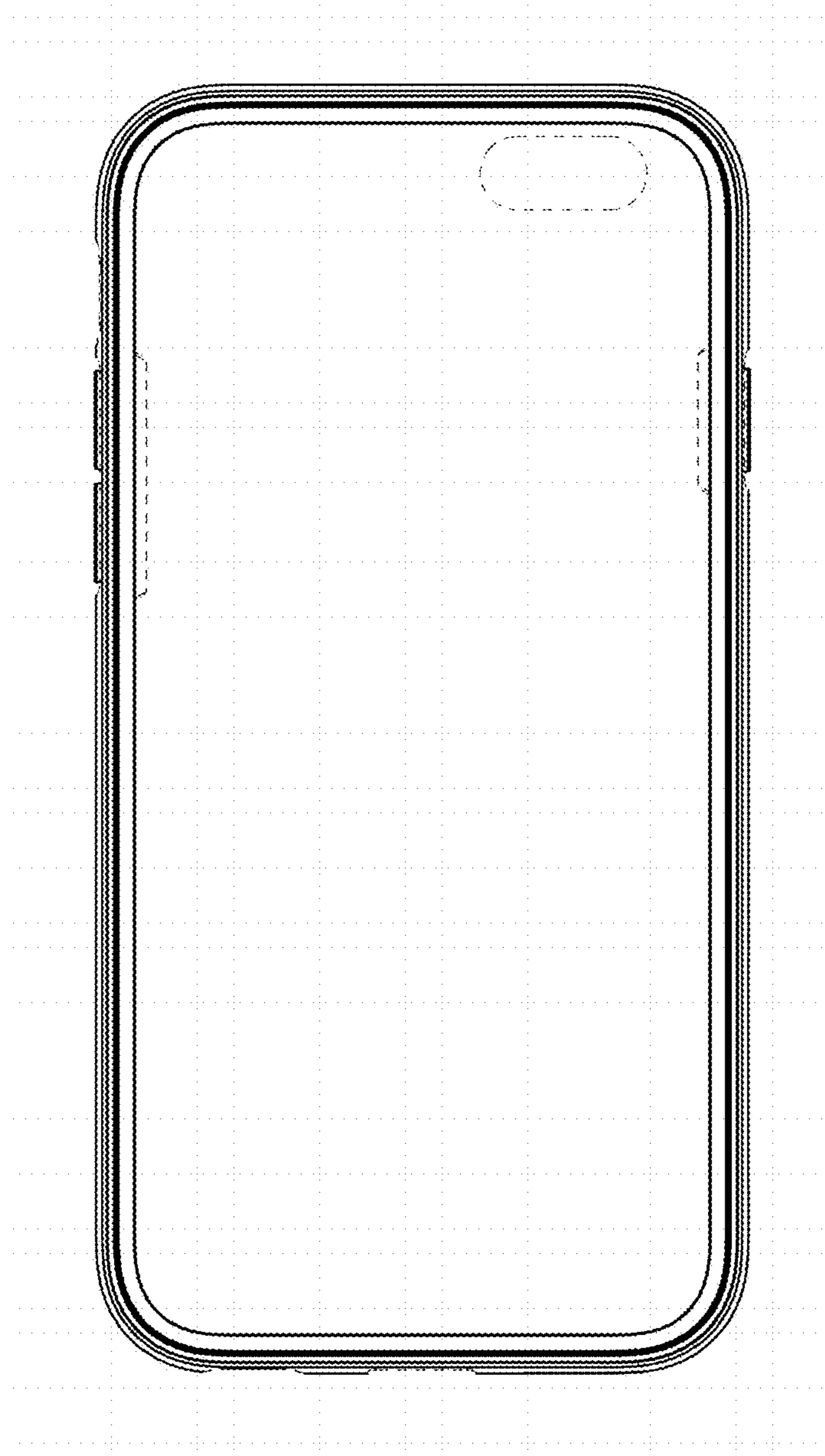


FIG. 4

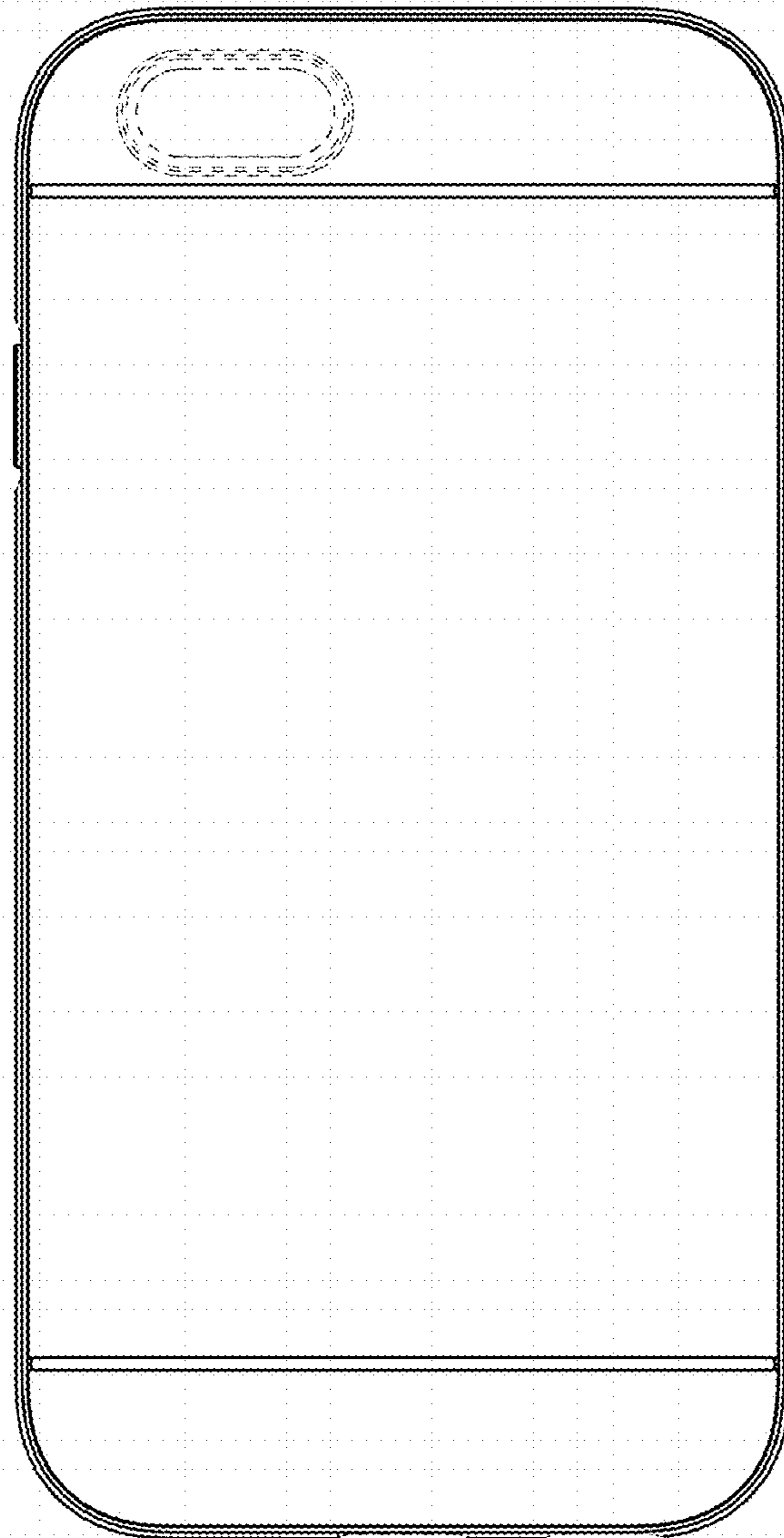


FIG. 5

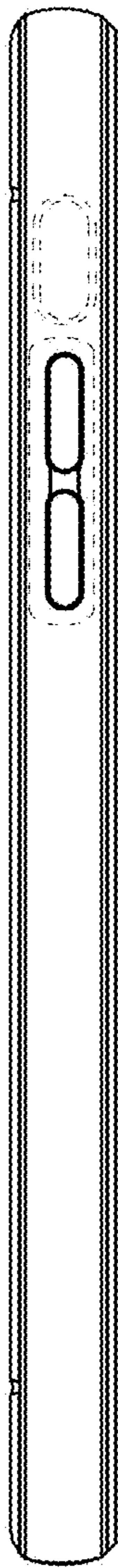


FIG. 6



FIG. 7





FIG. 8

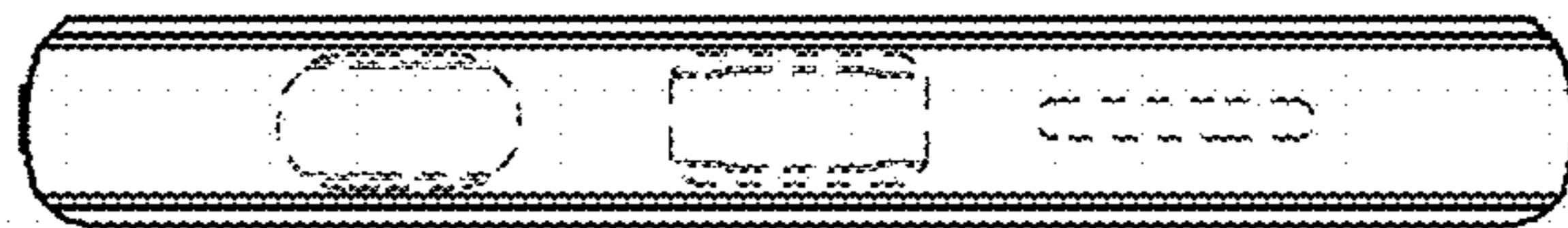


FIG. 9

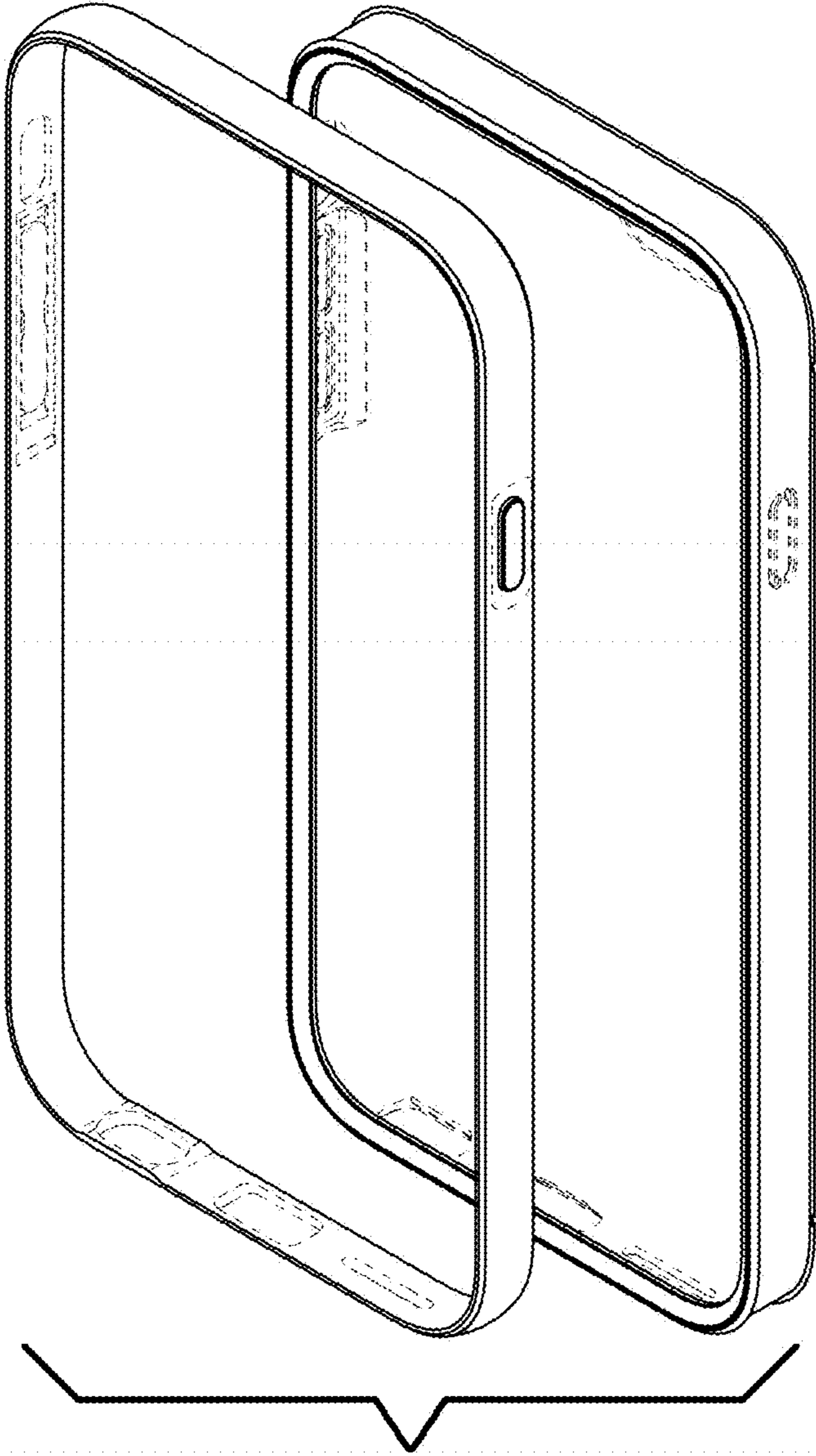


FIG. 10

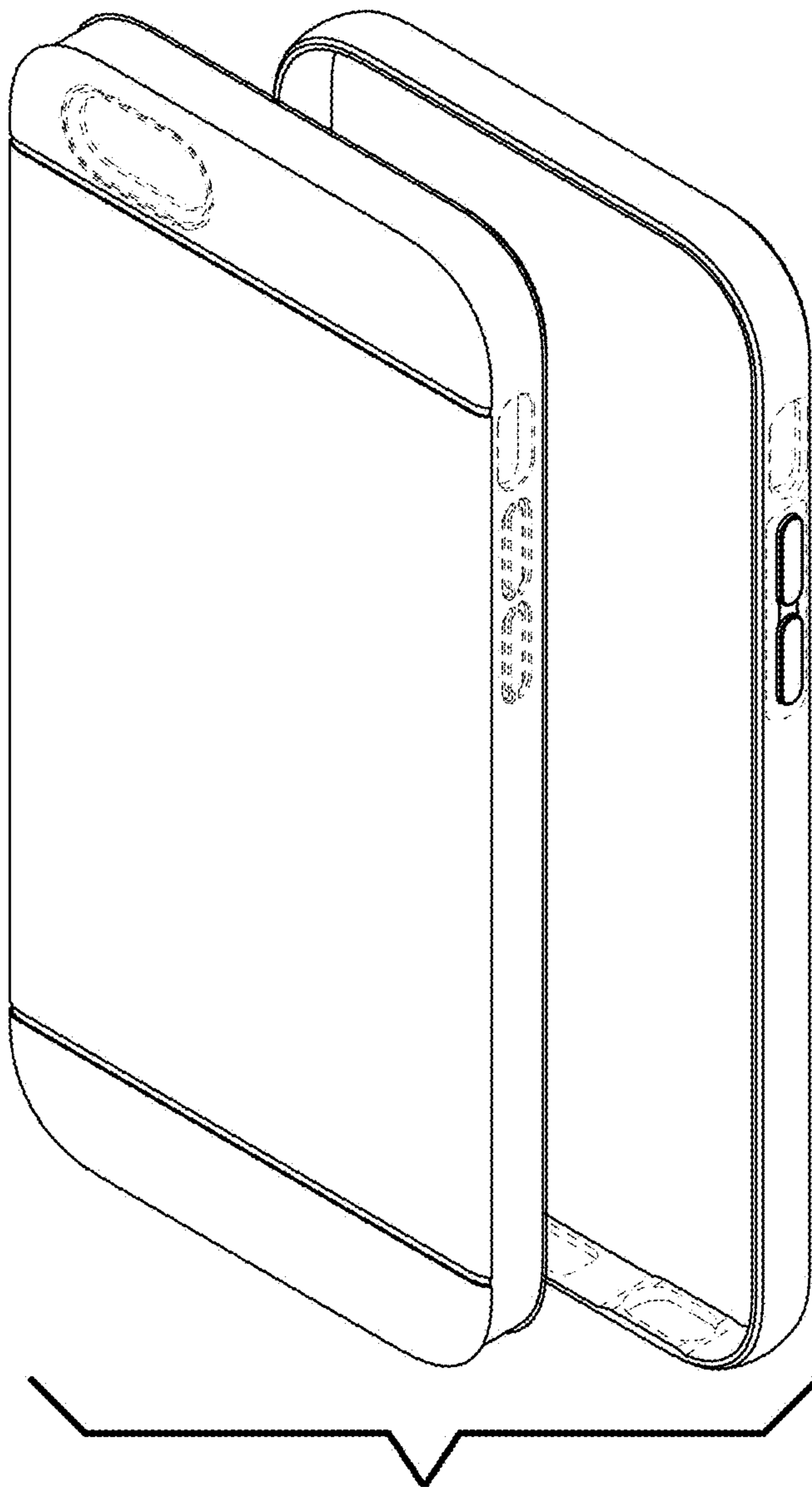


FIG. 11

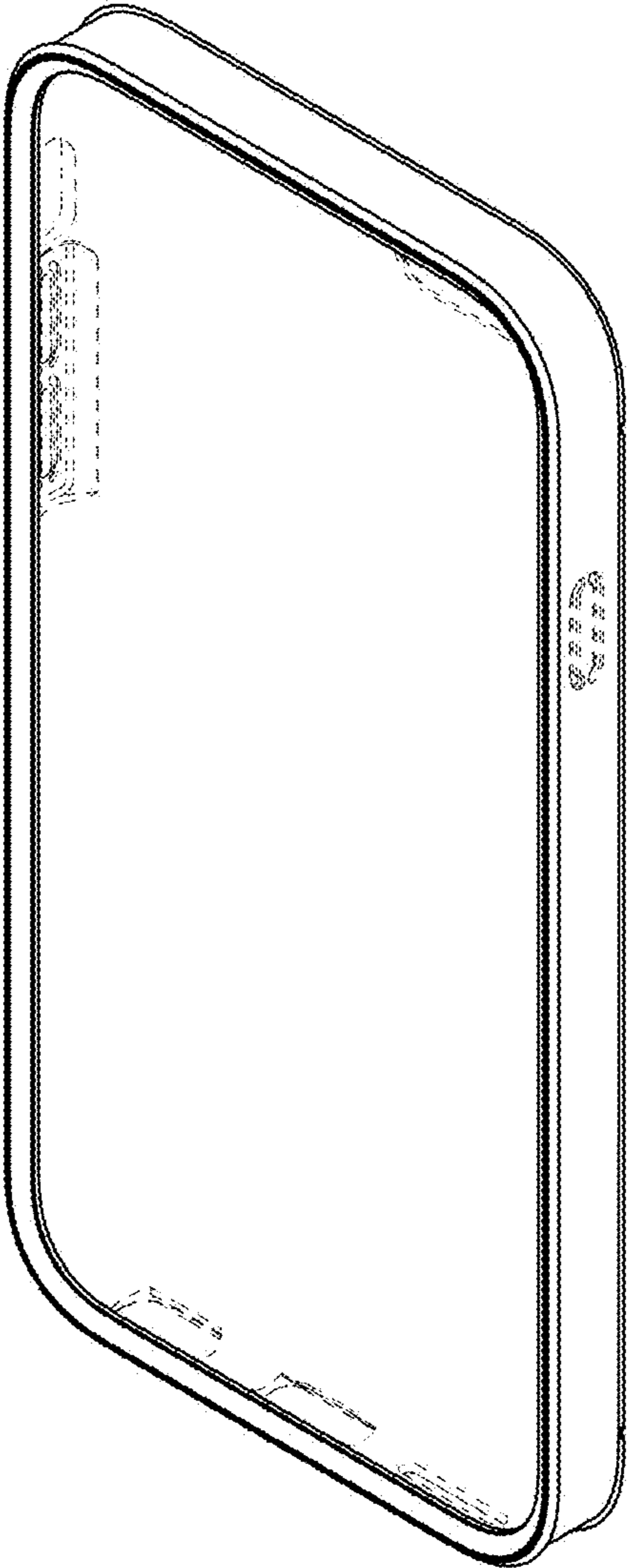


FIG. 12

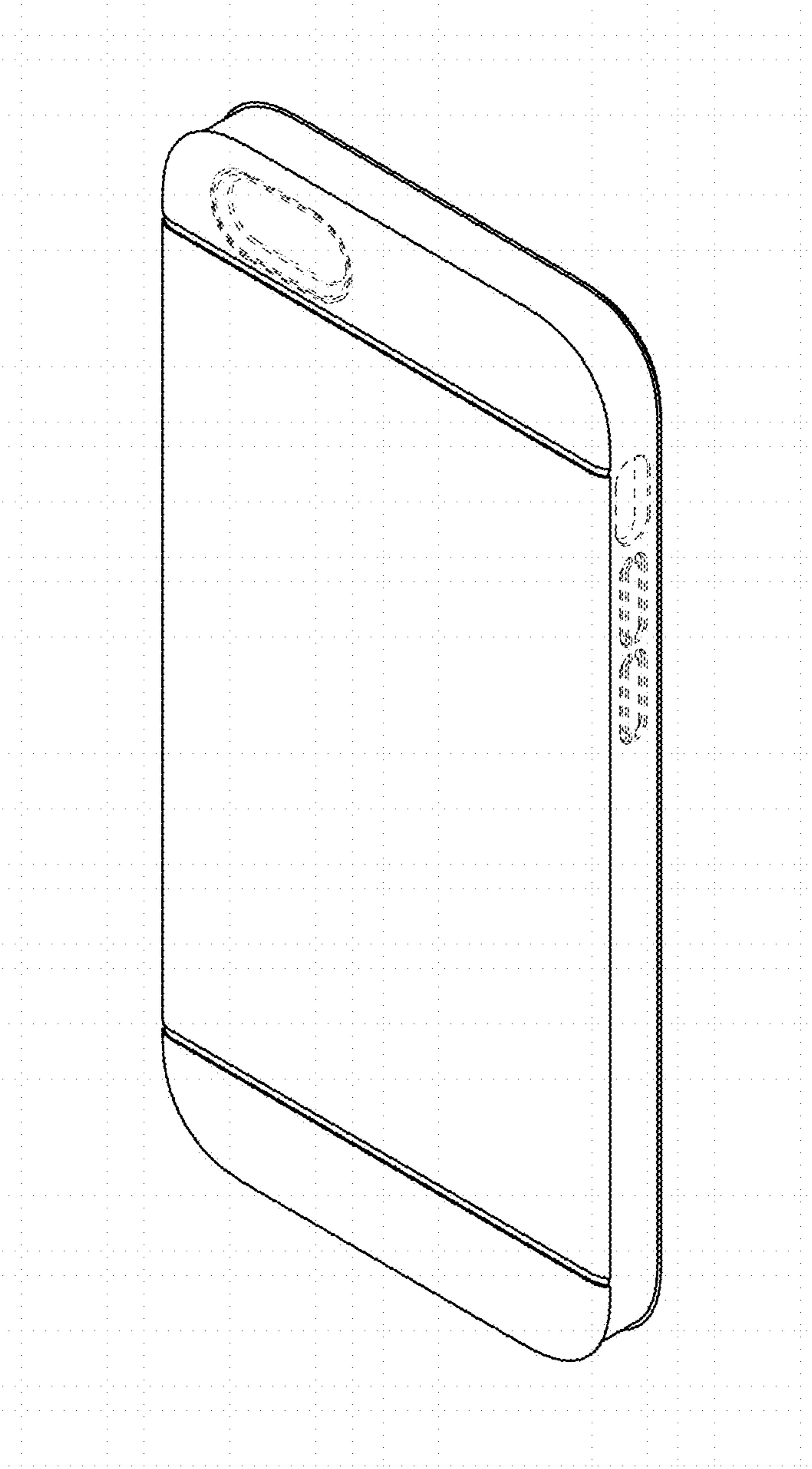


FIG. 13

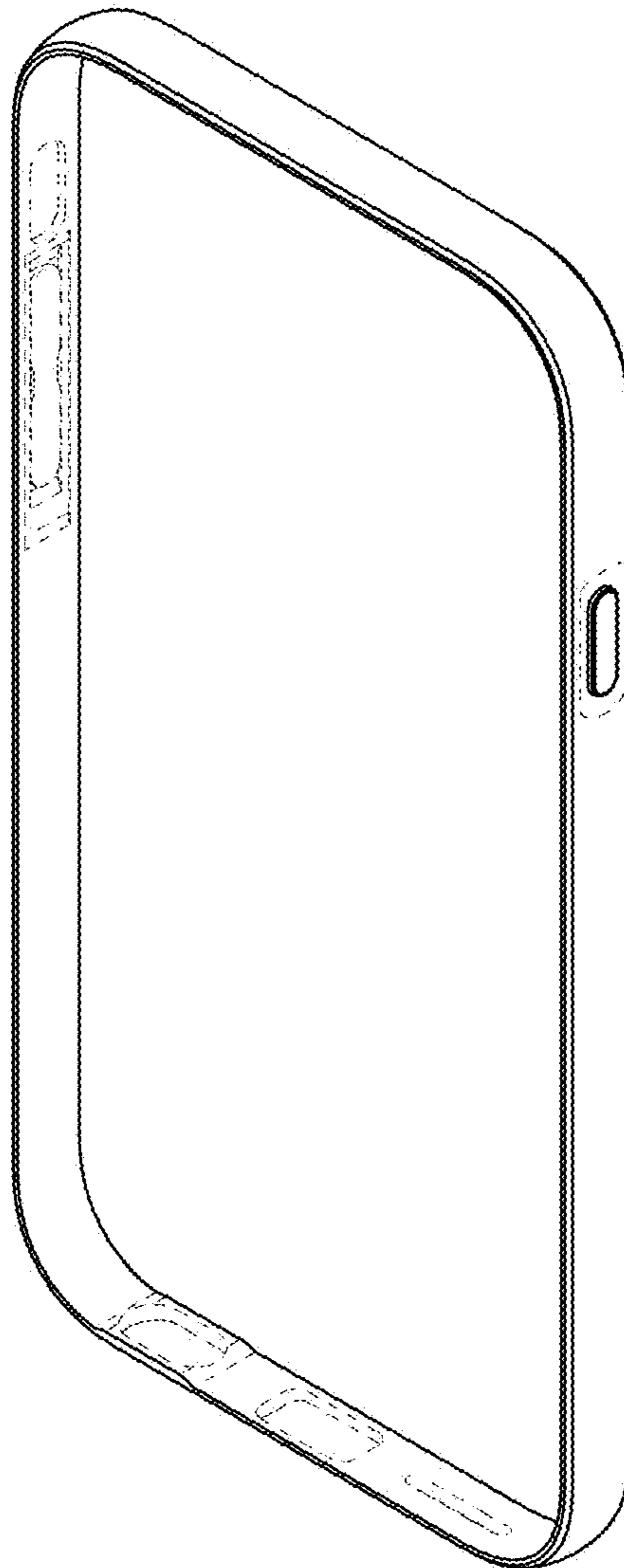


FIG. 14

