



US00D761238S

(12) **United States Design Patent**  
**Ann et al.**

(10) **Patent No.:** **US D761,238 S**  
(45) **Date of Patent:** **\*\* Jul. 12, 2016**

- (54) **STAND FOR TELEVISION**
- (71) Applicant: **Samsung Electronics Co., Ltd.**,  
Suwon-si, Gyeonggi-do (KR)
- (72) Inventors: **Sung Jin Ann**, Seoul (KR); **Sang Yong Park**, Bucheon-si (KR)
- (73) Assignee: **SAMSUNG ELECTRONICS CO., LTD.**, Suwon-Si, Gyeonggi-Do (KR)
- (\*\*) Term: **15 Years**
- (21) Appl. No.: **29/530,833**
- (22) Filed: **Jun. 19, 2015**
- (51) **LOC (10) Cl.** ..... **14-03**
- (52) **U.S. Cl.**  
USPC ..... **D14/239**
- (58) **Field of Classification Search**  
USPC ..... D14/125-134, 239, 371, 136, 374-377,  
D14/440, 450, 448, 336, 342, 159; 312/7.2;  
348/836, 838, 180, 184, 325, 739;  
248/917-924, 465; 345/104, 133, 156,  
345/168, 87, 173; D21/329, 515, 577, 622,  
D21/333, 433, 448, 452, 450, 331, 505;  
D10/15, 26; 446/484, 175, 356;  
D6/477, 479, 300; D24/185; D34/14  
CPC ... G06F 1/1601; G06F 1/1643; H05K 5/0004;  
H05K 5/0017; H05K 5/02; H05K 5/0217  
See application file for complete search history.

D716,277 S *	10/2014	Kim	.....	D14/239
D716,777 S *	11/2014	Kim	.....	D14/239
D723,486 S *	3/2015	Lee	.....	D14/126
D725,661 S *	3/2015	Snyder	.....	D14/451
D726,195 S *	4/2015	Snyder	.....	D14/451
D727,879 S *	4/2015	Lee	.....	D14/239

**FOREIGN PATENT DOCUMENTS**

JP	D1498913	4/2014
KR	30-0659441	9/2012
KR	30-0734228	3/2014

\* cited by examiner

*Primary Examiner* — Randall Gholson

(74) *Attorney, Agent, or Firm* — Ladas & Parry LLP

(57) **CLAIM**

We claim the ornamental design for the stand for television, as shown and described.

**DESCRIPTION**

FIG. 1 is the front perspective view of the stand for television showing our new design;  
 FIG. 2 is the front view thereof;  
 FIG. 3 is the view thereof;  
 FIG. 4 is the left-side view thereof;  
 FIG. 5 is the right-side view thereof;  
 FIG. 6 is the top plan view thereof;  
 FIG. 7 is the bottom plan view thereof;  
 FIG. 8 is a rear perspective view thereof;  
 FIG. 9 is a front perspective view thereof shown in an example environment; and,  
 FIG. 10 is a rear perspective view of FIG. 9.  
 The broken lines in the drawing show unclaimed environment only and form no part of the claimed design.

**1 Claim, 10 Drawing Sheets**

(56) **References Cited**

**U.S. PATENT DOCUMENTS**

D705,200 S *	5/2014	Choi	.....	D14/239
D714,757 S *	10/2014	Lee	.....	D14/209.1

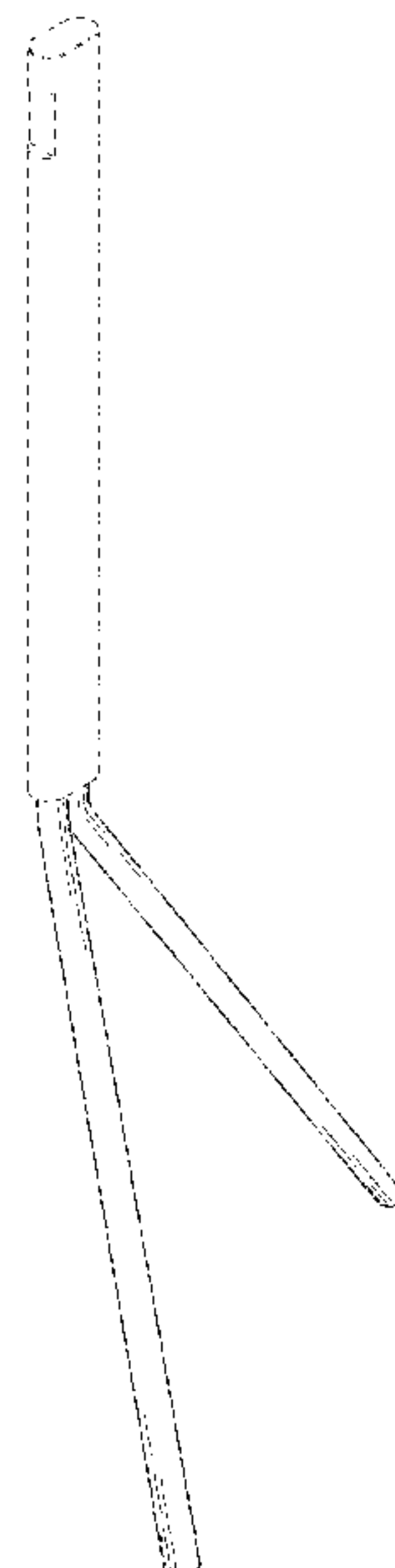


FIG. 1

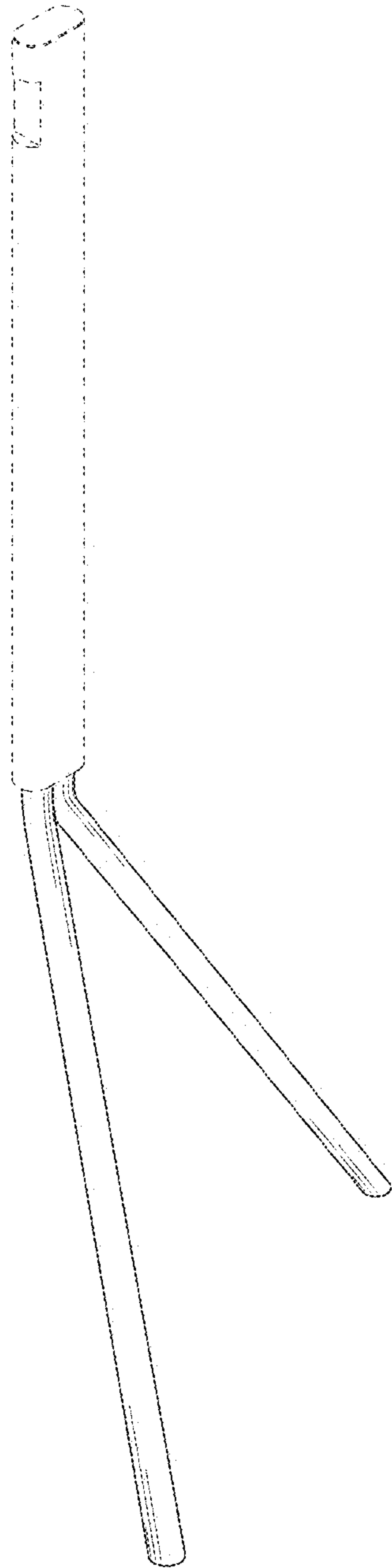


FIG. 2

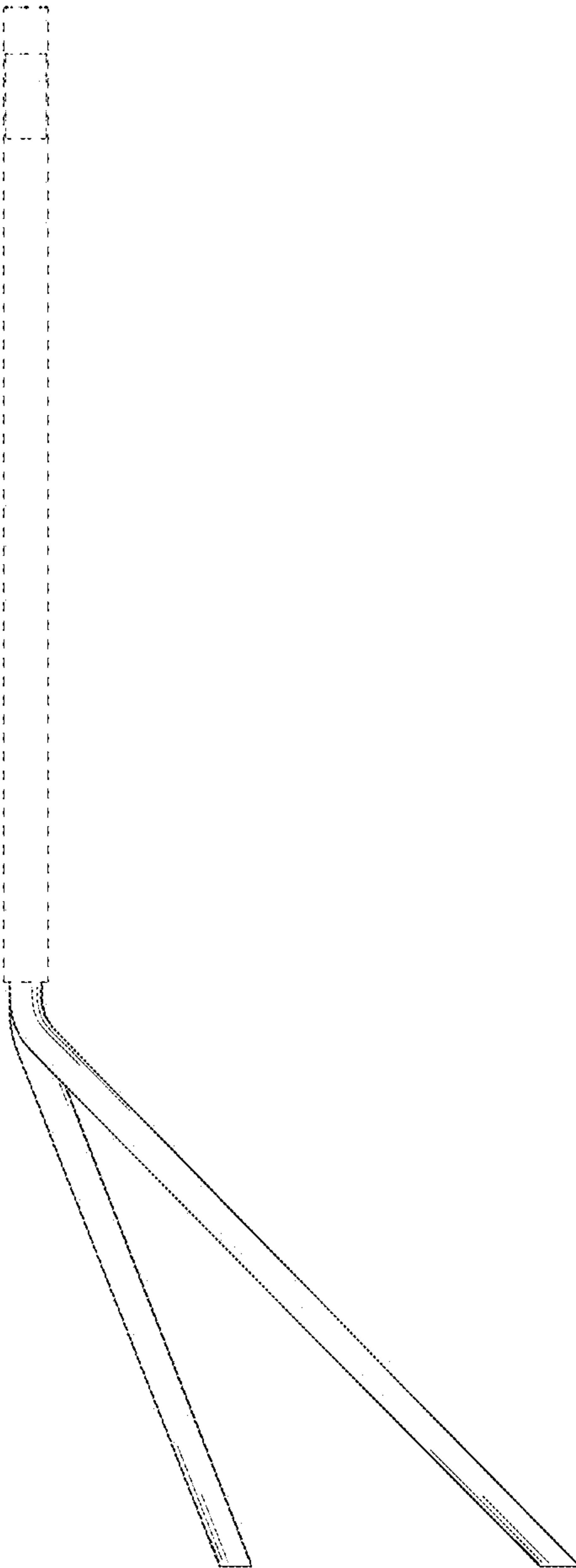


FIG. 3

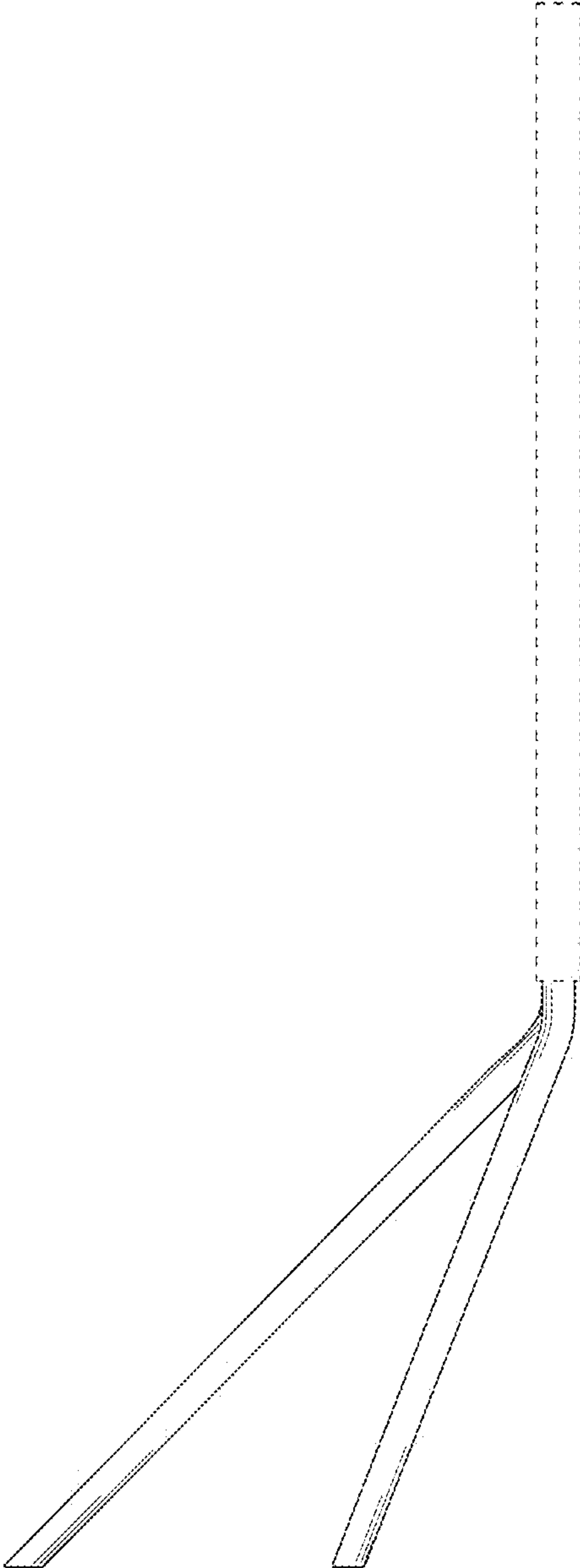


FIG. 4

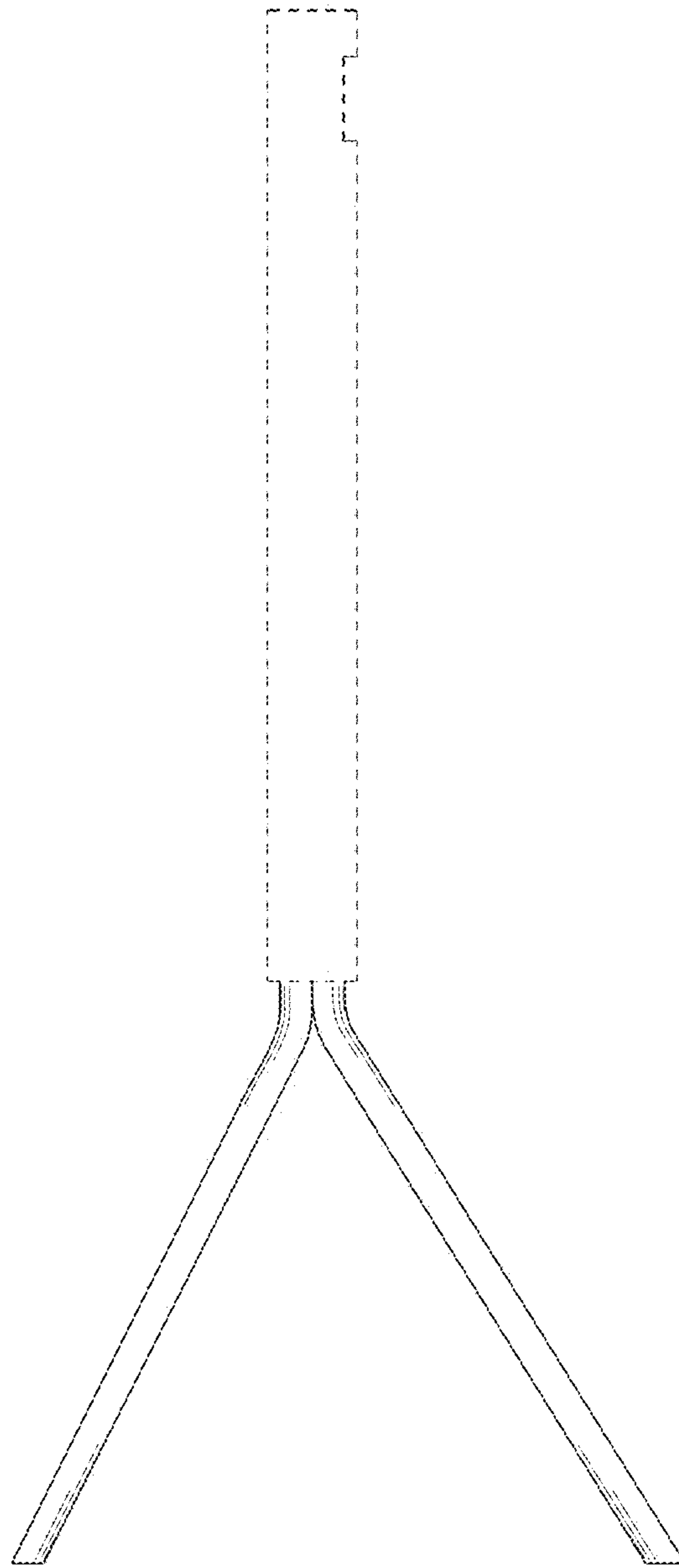


FIG. 5

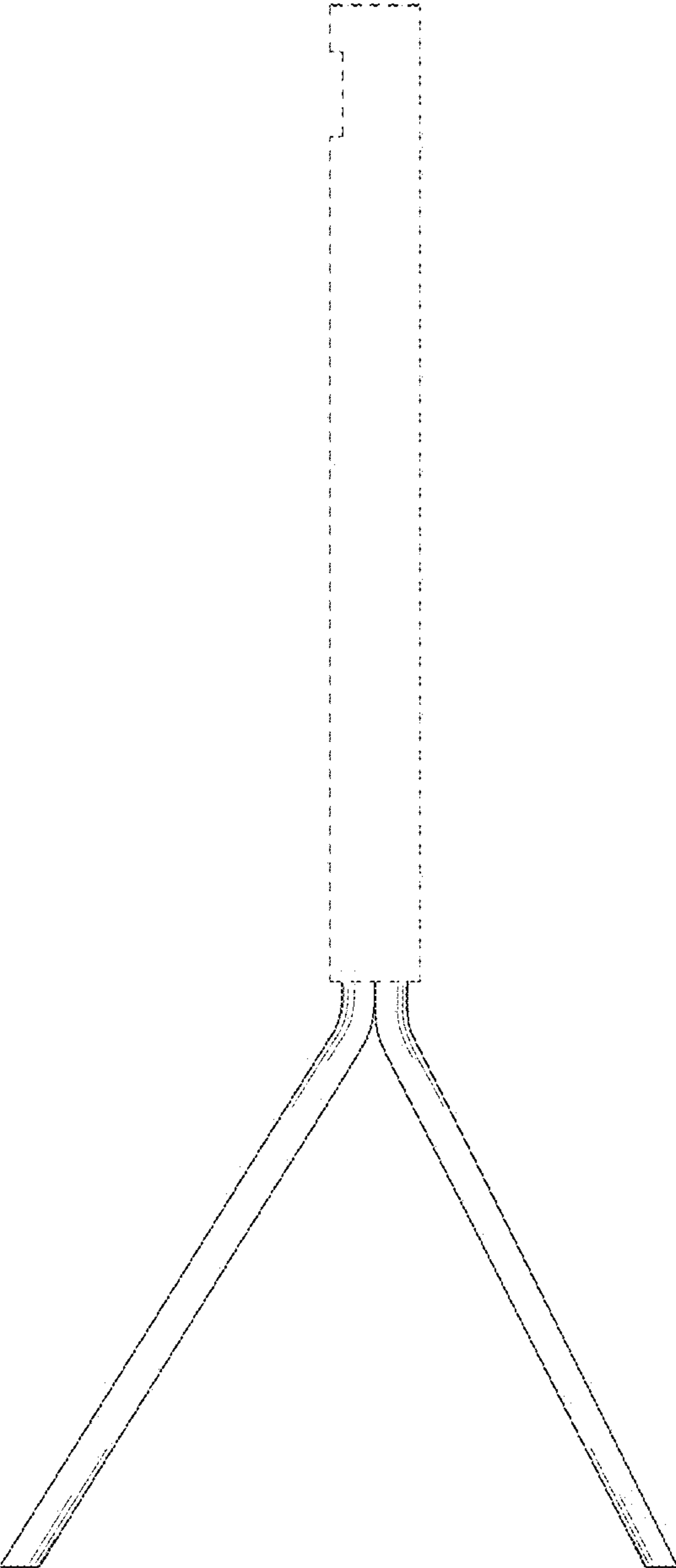


FIG. 6

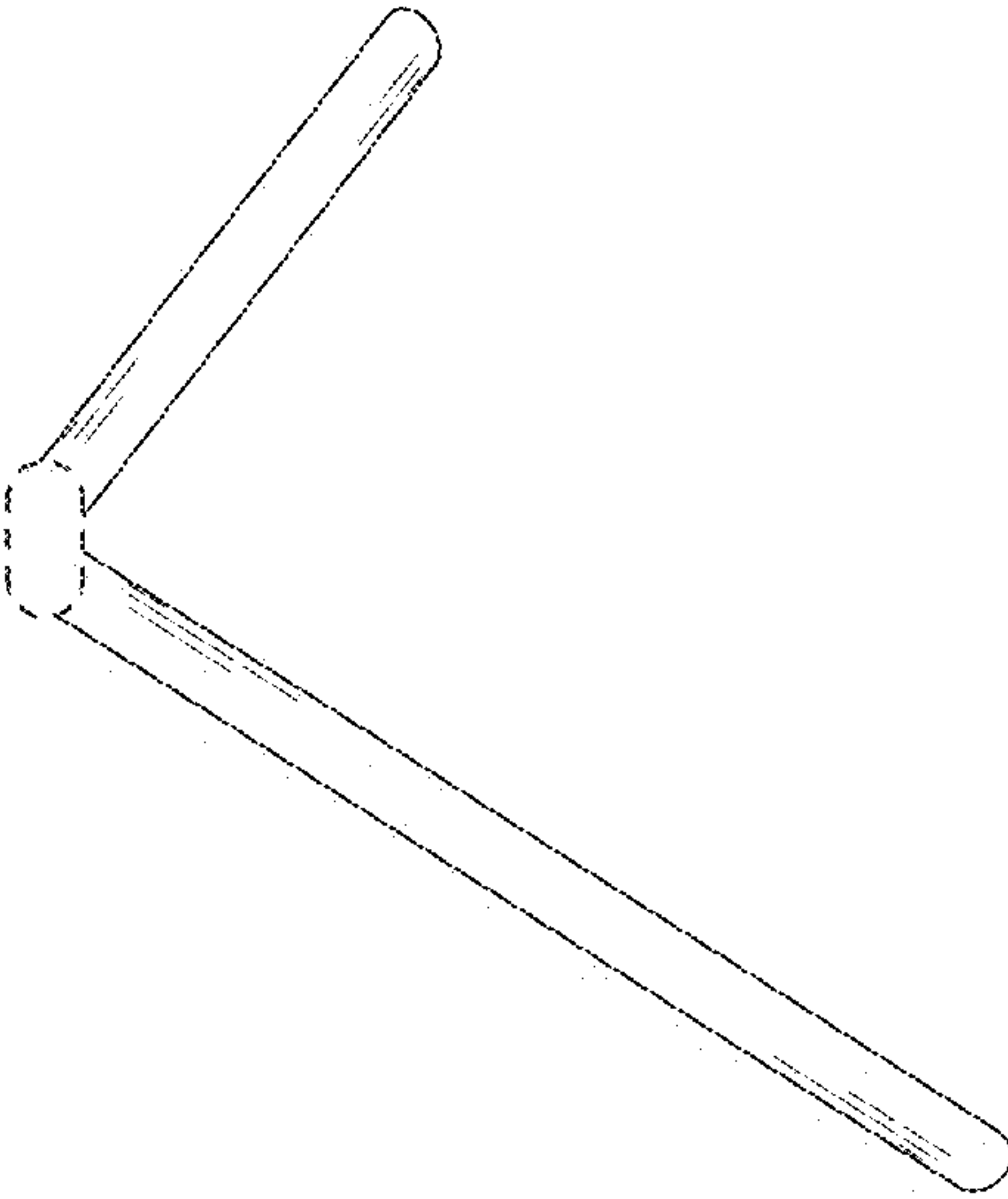


FIG. 7

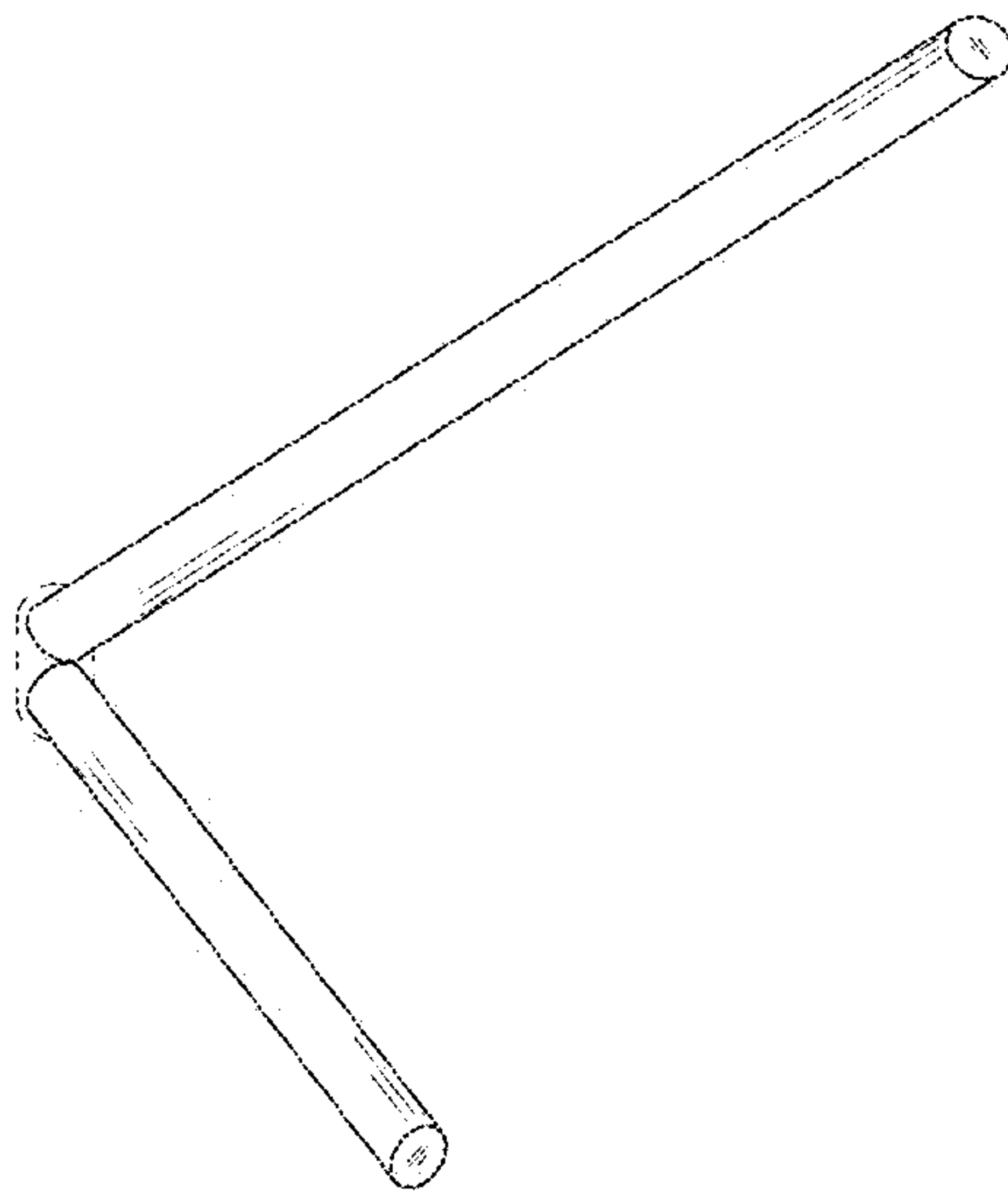




FIG. 8

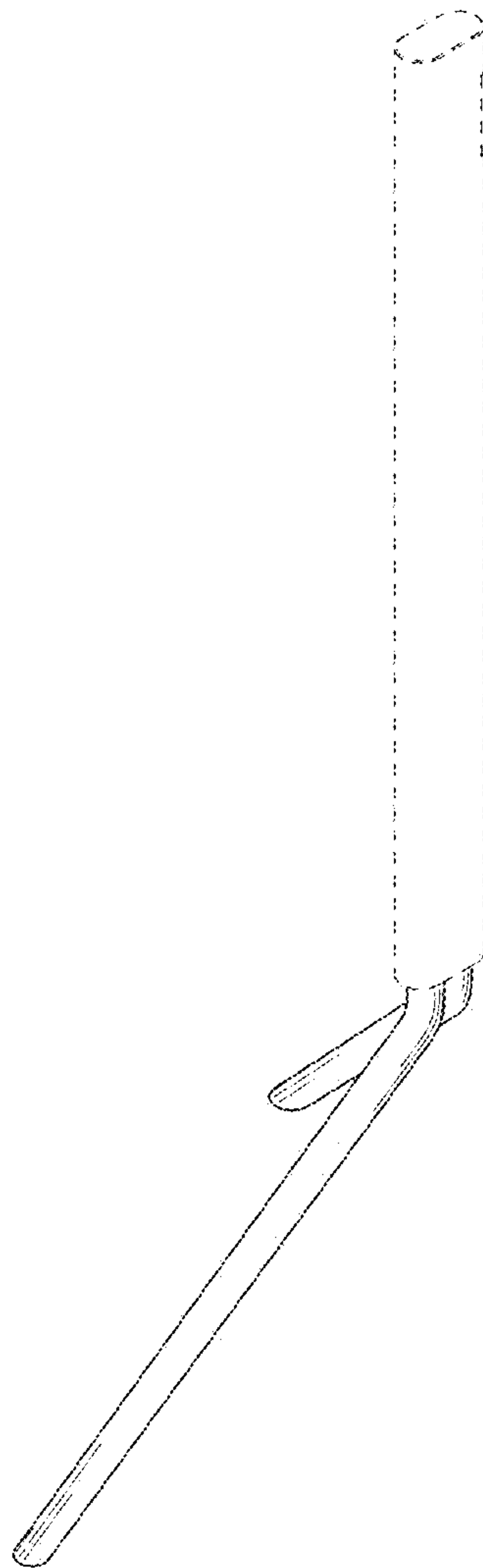


FIG. 9

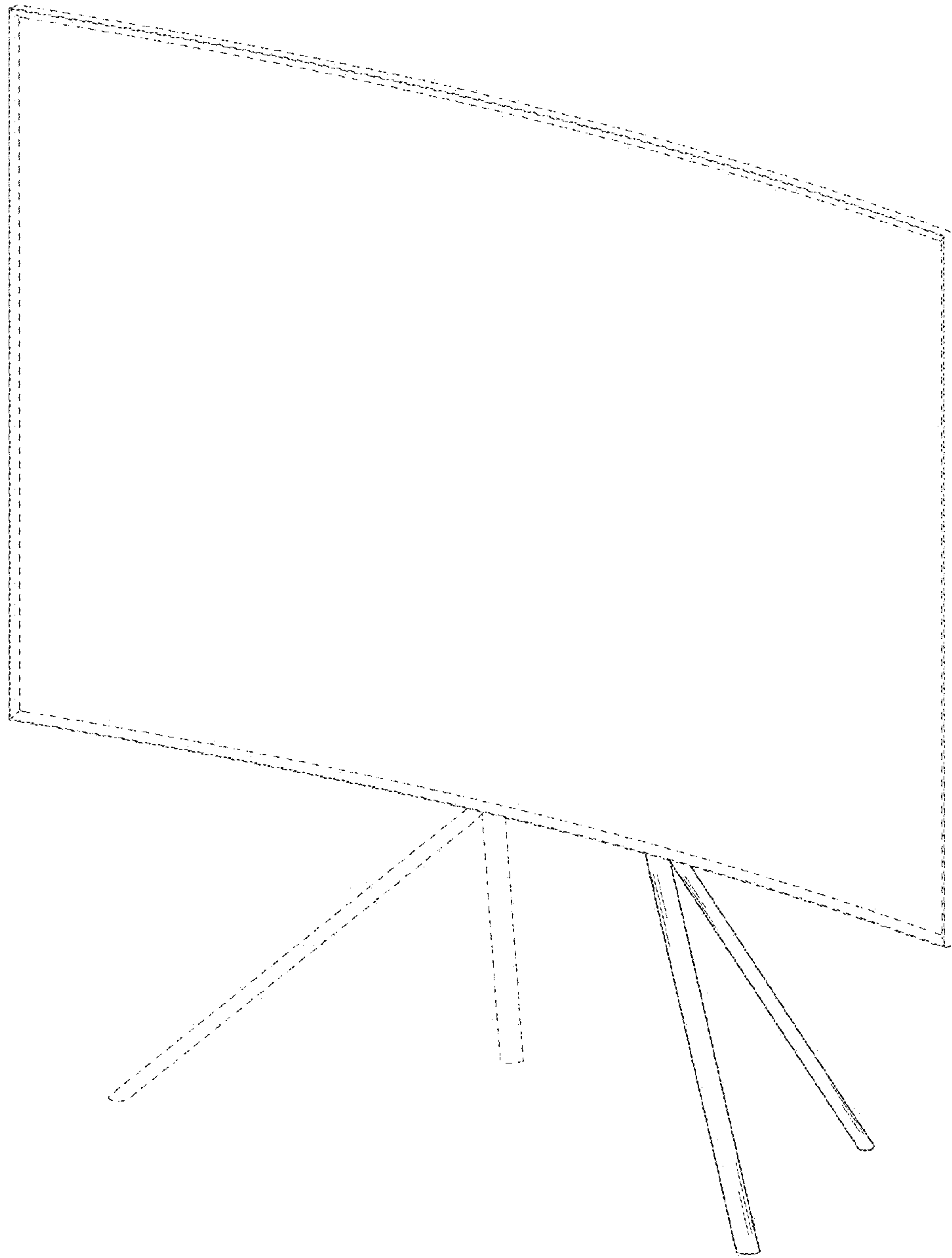
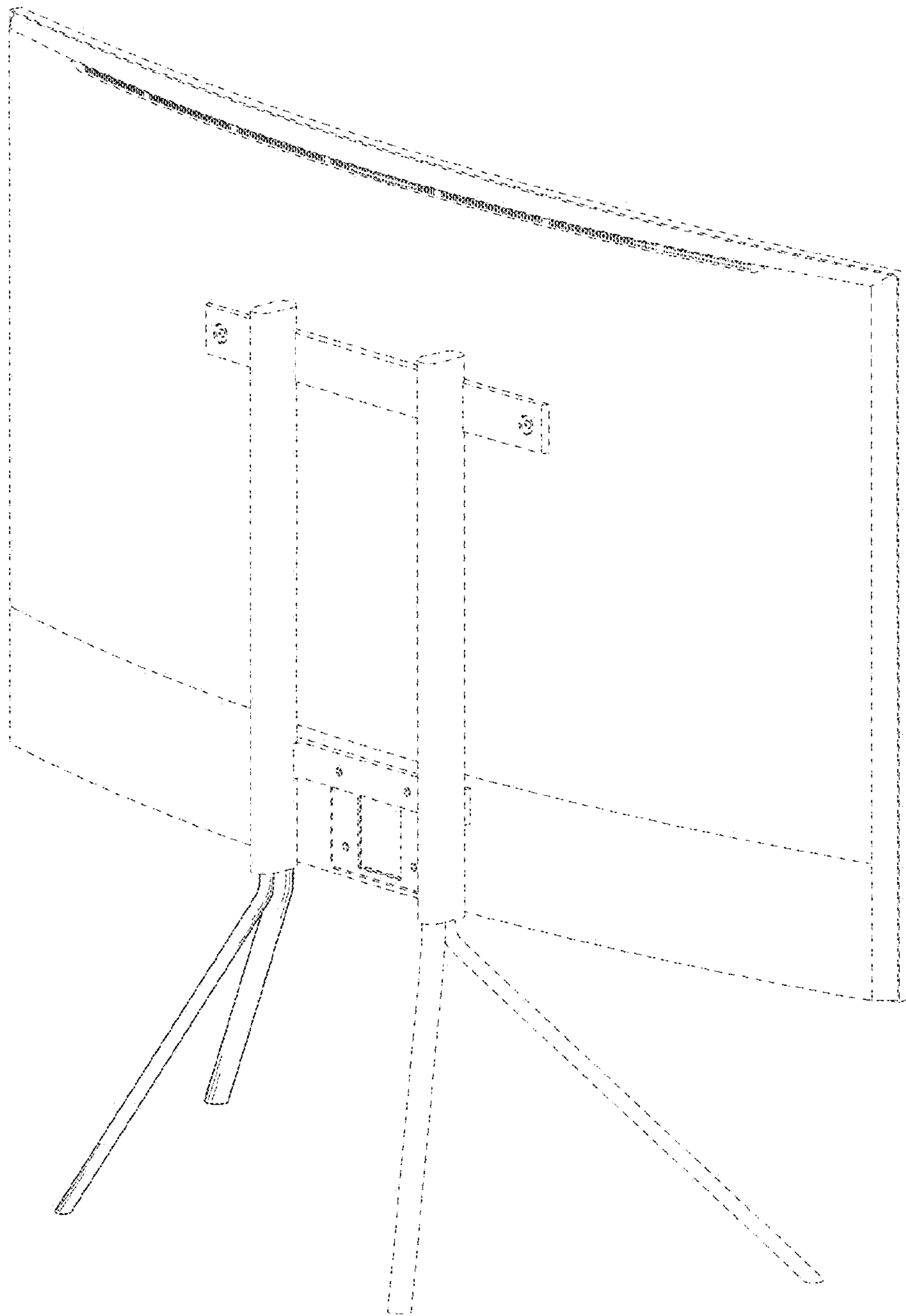


FIG. 10



UNITED STATES PATENT AND TRADEMARK OFFICE  
**CERTIFICATE OF CORRECTION**

PATENT NO. : D761,238 S  
APPLICATION NO. : 29/530833  
DATED : July 12, 2016  
INVENTOR(S) : Sung Jin Ann et al.

Page 1 of 1

It is certified that error appears in the above-identified patent and that said Letters Patent is hereby corrected as shown below:

On the Title Page

Please Insert Item (30) Priority Data:

--(30) Foreign Application Priority Data

December 31, 2014 (KR)..... 30-2014-0064549--

Signed and Sealed this  
Sixth Day of June, 2017



Michelle K. Lee  
*Director of the United States Patent and Trademark Office*