



US00D761236S

(12) **United States Design Patent**  
**Wengreen**

(10) **Patent No.:** **US D761,236 S**  
(45) **Date of Patent:** **\*\* Jul. 12, 2016**

- (54) **MOUNT FOR ELECTRONIC DEVICES**
- (71) Applicant: **Innovelis, Inc.**, Sammamish, WA (US)
- (72) Inventor: **Eric John Wengreen**, Sammamish, WA (US)
- (73) Assignee: **Innovelis, Inc.**, Sammamish, WA (US)
- (\*\*) Term: **14 Years**

3,990,617 A	11/1976	Carter	
D282,034 S *	1/1986	Janke .....	D6/675
4,602,761 A	7/1986	Carter	
4,697,780 A	10/1987	Wenkman	
4,746,042 A	5/1988	King	
4,771,927 A	9/1988	Ventura	
4,825,590 A	5/1989	Cullinane	
4,826,115 A	5/1989	Novitski	
4,840,773 A	6/1989	Wade	
4,852,843 A	8/1989	Chandler	

(Continued)

- (21) Appl. No.: **29/487,093**
- (22) Filed: **Apr. 4, 2014**
- (51) **LOC (10) Cl.** ..... **14-03**
- (52) **U.S. Cl.**  
USPC ..... **D14/238.1**; D8/349
- (58) **Field of Classification Search**  
USPC ..... D14/250–253, 440, 203.3–203.7, 217, D14/496, 248, 238.1, 240, 447, 230, 247, D14/341, 345, 346, 439, 451; D3/201, 218, D3/269, 301, 273, 303; D13/103, D13/107–108; 220/4.02; 248/309.1; 361/679.56; 379/426, 433.11, 455; 455/575.1, 575.8; 190/100; 206/305, 206/320; D8/349, 380  
CPC ..... A45C 2011/002; A45C 11/00; A45C 13/002; A45C 2011/003; H04M 1/0283; H04M 1/0202; H04M 1/3888; H04M 1/185  
See application file for complete search history.

**OTHER PUBLICATIONS**

Out of Sight Bracket—Website Part 1 (downloaded on Nov. 13, 2013 from [http://www.outofsightbracket.com/OutOfSightBracket/Out\\_of\\_Sight\\_Bracket\\_for\\_Apple\\_TV.html](http://www.outofsightbracket.com/OutOfSightBracket/Out_of_Sight_Bracket_for_Apple_TV.html)). The website says the Out of Sight Bracket is “Patent Pending.” The Out of Sight Bracket might have been made by Gordon H. Beckhart.

(Continued)

*Primary Examiner* — Sandra Snapp  
*Assistant Examiner* — Holly E Thurman

(57) **CLAIM**

The ornamental design for a mount for electronic devices, as shown and described.

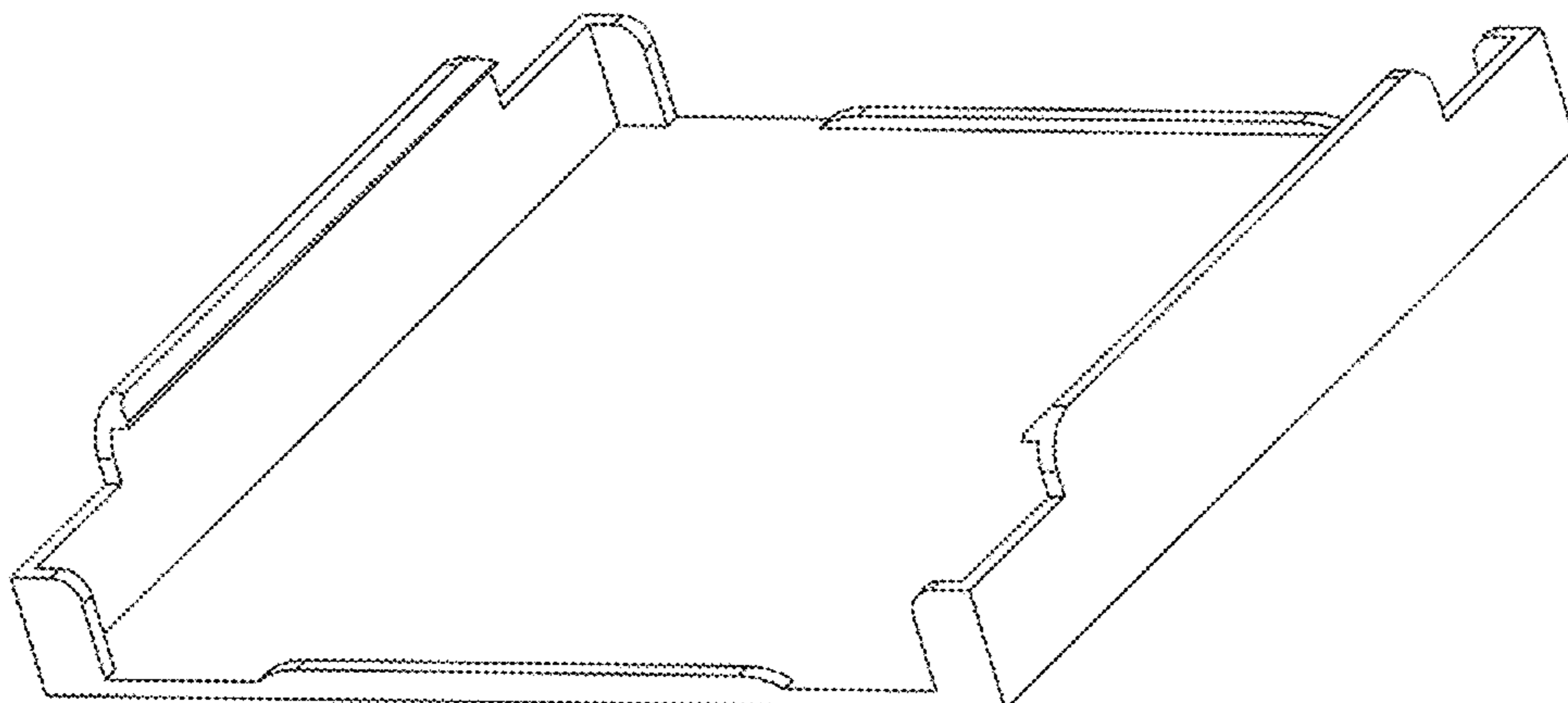
**DESCRIPTION**

FIG. 1 is a front, side, and top perspective view of a mount for electronic devices embodying my new design.  
FIG. 2 is a front, side, and bottom perspective view thereof.  
FIG. 3 is a back, side, and bottom perspective view thereof.  
FIG. 4 is a back, side, and top perspective view thereof.  
FIG. 5 is a front view thereof.  
FIG. 6 is a back view thereof.  
FIG. 7 is a top view thereof, the bottom view being a mirror image; and,  
FIG. 8 is a first side view thereof, the second side view being a mirror image.

**1 Claim, 7 Drawing Sheets**

(56) **References Cited**  
**U.S. PATENT DOCUMENTS**

1,618,573 A	2/1927	Cole
2,584,646 A	2/1952	Wagstaff
3,091,378 A	5/1963	O’Dwyer
3,176,950 A	4/1965	Hittesdorf
3,279,009 A	10/1966	Teasdale
3,294,298 A	12/1966	Danielson
3,477,679 A	11/1969	Lovitz





(56)

References Cited

U.S. PATENT DOCUMENTS

4,974,764 A 12/1990 Cantwell  
 D317,157 S \* 5/1991 Jondelius ..... D14/253  
 5,038,985 A 8/1991 Chapin  
 5,092,395 A 3/1992 Amidzich  
 5,273,690 A 12/1993 McDowell  
 5,297,318 A 3/1994 Adolphson  
 D351,341 S 10/1994 Hung  
 5,400,990 A 3/1995 Frankel  
 5,535,093 A 7/1996 Noguchi  
 D376,787 S \* 12/1996 Calfee ..... D14/451  
 5,593,124 A 1/1997 Wang  
 5,619,395 A 4/1997 McBride  
 5,619,774 A 4/1997 Perry  
 D388,107 S 12/1997 Huckins  
 5,850,998 A 12/1998 Parsey  
 D407,408 S \* 3/1999 Hoff ..... D14/253  
 5,899,371 A 5/1999 Weliver  
 5,914,707 A 6/1999 Kono  
 5,961,083 A 10/1999 Hartman  
 5,979,724 A 11/1999 Loewenthal  
 D420,149 S \* 2/2000 Hersh ..... D25/119  
 6,102,660 A 8/2000 Lee  
 6,105,923 A 8/2000 Robertson  
 D443,493 S 6/2001 Skeem  
 6,275,885 B1 8/2001 Chin  
 6,336,615 B1 1/2002 Jeon  
 D456,413 S 4/2002 Malson  
 6,560,983 B1 5/2003 Schimmeyer  
 6,691,374 B2 2/2004 Coyne  
 6,888,940 B1 5/2005 Deppen  
 6,939,641 B2 9/2005 Kincaid  
 7,047,601 B1 5/2006 Vernon-Woods  
 7,079,384 B2 7/2006 Wang  
 7,113,218 B2 9/2006 Battles  
 7,145,603 B2 12/2006 Whitby  
 D535,826 S 1/2007 Toghianian  
 7,222,762 B2 5/2007 Rees  
 D545,343 S 6/2007 Braun  
 D553,352 S \* 10/2007 Allen ..... D3/218  
 D557,266 S \* 12/2007 Hughes ..... D14/451  
 D560,411 S 1/2008 Chung  
 D564,529 S \* 3/2008 Hughes ..... D14/451  
 D565,399 S 4/2008 Grey  
 D568,889 S \* 5/2008 Hughes ..... D14/447  
 7,367,089 B2 5/2008 Cooke  
 D570,801 S 6/2008 Allen  
 D598,945 S 8/2009 Gillespie  
 7,580,255 B2 8/2009 Crooijmans  
 D601,000 S \* 9/2009 Cole ..... D8/349  
 D609,030 S \* 2/2010 Barabas ..... D14/238  
 D624,949 S 10/2010 Nakayama  
 D625,729 S 10/2010 McNames  
 7,854,420 B2 12/2010 Depay  
 D633,503 S 3/2011 Bo  
 7,959,121 B1 6/2011 Barnes  
 D657,362 S 4/2012 Lister  
 D662,491 S 6/2012 Andre  
 D667,411 S 9/2012 Kim  
 8,544,805 B2 10/2013 Virgin  
 D700,832 S \* 3/2014 Ng ..... D8/380  
 D705,229 S \* 5/2014 Wengreen ..... D14/238.1  
 D710,340 S \* 8/2014 Wengreen ..... D14/238.1  
 D712,906 S \* 9/2014 Wengreen ..... D14/451  
 8,939,417 B1 \* 1/2015 Wengreen ..... F16M 13/02  
 248/205.3  
 D732,939 S \* 6/2015 Cannaverde ..... D8/354  
 D733,542 S \* 7/2015 Cannaverde ..... D8/354  
 D734,305 S \* 7/2015 Wengreen ..... D14/238  
 D735,174 S \* 7/2015 Wengreen ..... D14/238  
 D749,549 S \* 2/2016 Wengreen ..... D14/238  
 D752,415 S \* 3/2016 Lu ..... D8/349  
 9,339,112 B2 \* 5/2016 Wengreen ..... A47B 97/00  
 2005/0236541 A1 10/2005 Chang  
 2007/0264169 A1 11/2007 Chen  
 2008/0078793 A1 4/2008 Brown

2009/0218454 A1 9/2009 Stanley  
 2010/0288895 A1 11/2010 Shamie  
 2010/0314277 A1 12/2010 Murray  
 2012/0126081 A1 5/2012 Wengreen  
 2012/0127379 A1 5/2012 Wengreen  
 2012/0168516 A1 \* 7/2012 Bolger ..... G06K 19/07758  
 235/492  
 2015/0305502 A1 \* 10/2015 Wengreen ..... A47B 97/00  
 248/205.3

OTHER PUBLICATIONS

Out of Sight Bracket—Website Part 2 (downloaded on Nov. 13, 2013 from [http://www.outofsightbracket.com/OutOfSightBracket/How\\_to\\_mount\\_your\\_Apple\\_TV\\_or\\_AirPort\\_Express.html](http://www.outofsightbracket.com/OutOfSightBracket/How_to_mount_your_Apple_TV_or_AirPort_Express.html)). The website says the Out of Sight Bracket is “Patent Pending.” The Out of Sight Bracket might have been made by Gordon H. Beckhart.  
 Out of Sight Bracket—Website Part 3 (downloaded on Nov. 13, 2013 from <http://www.soundandvision.com/content/bracket-keeps-apple-airport-express-and-apple-tv-out-sight>).  
 TV Tray—Website (downloaded on Nov. 13, 2013 from <http://h-sq.com/products/tvtray/>).  
 TV Tray—Installation Guide (downloaded on Nov. 13, 2013 from [http://www.h-sq.com/downloads/tvtx\\_ug.pdf](http://www.h-sq.com/downloads/tvtx_ug.pdf)).  
 Cosmos Tray—Website (downloaded on Nov. 13, 2013 from [http://www.amazon.com/Cosmos-MD199LL-AirPort-Express-Station/dp/B00C2JNGB2/ref=sr\\_1\\_4?ie=UTF8&qid=1384406376&sr=8-4&keywords=apple+tv+mount](http://www.amazon.com/Cosmos-MD199LL-AirPort-Express-Station/dp/B00C2JNGB2/ref=sr_1_4?ie=UTF8&qid=1384406376&sr=8-4&keywords=apple+tv+mount)).  
 CTA Digital—Website (downloaded on Nov. 13, 2013 from <http://www.ctadigital.com/downloads/KIN-WMC-final.pdf>).  
 PDP Mounting Clip—Part 1 (downloaded on Nov. 13, 2013 from <http://www.amazon.com/Kinect-Sensor-TV-Mounting-Clip-Xbox/dp/B004XV6ST4>).  
 PDP Mounting Clip—Part 2 (downloaded on Nov. 13, 2013 from [http://www.microsoftstore.com/store/msusa/en\\_US/pdp/Kinect-Sensor-TV-Mounting-Clip/productID.253726200](http://www.microsoftstore.com/store/msusa/en_US/pdp/Kinect-Sensor-TV-Mounting-Clip/productID.253726200)).  
 PDP Mounting Clip—Part 3 (downloaded on Nov. 13, 2013 from <http://www.bestbuy.com/site/pdp-sensor-mounting-clip-for-kinect/3521258.p?id=1218408957863&skuId=3521258>).  
 ScreenDeck (downloaded on Nov. 13, 2013 from [http://news.cnet.com/8301-17938\\_105-20071226-1/screendeck-adds-top-shelf-to-your-flat-panel-tv/](http://news.cnet.com/8301-17938_105-20071226-1/screendeck-adds-top-shelf-to-your-flat-panel-tv/)).  
 Center Stage Bracket—Part 1 (downloaded on Nov. 13, 2013 from <http://www.bestbuy.com/site/center-stage-bracket-satellite-center-channel-speaker-shelf-bracket-black/5857191.p?id=1218697292805&skuId=5857191>).  
 DreamGear TriMount (downloaded on Nov. 14, 2013 from <http://www.dreamgear.net/shop-by-platform/universal/trimount.html>).  
 Medialink router (downloaded on Jan. 2, 2014 from [http://www.medialinkproducts.com/docs/MWN-WAPR150N\\_User\\_Guide.pdf](http://www.medialinkproducts.com/docs/MWN-WAPR150N_User_Guide.pdf)).  
 Cisco router wall mounting instructions (downloaded on Jan. 2, 2014 from <http://www.cisco.com/en/US/docs/routers/access/1800/1841/hardware/installation/guide/18inst.pdf>).  
 Cisco wall mounting bracket (downloaded on Jan. 2, 2014 from <http://www.cisco.com/en/US/docs/routers/access/800/806/hardware/installation/guide/install.pdf>).  
 Netgear ProSafe (downloaded on Jan. 2, 2014 from [http://www.storagereview.com/netgear\\_prosafe\\_wndap660\\_dualband\\_wireless\\_access\\_point\\_review](http://www.storagereview.com/netgear_prosafe_wndap660_dualband_wireless_access_point_review)) article includes a date of Dec. 21, 2012.  
 Wireless router picture (downloaded on Jan. 2, 2014 from <http://www.techwarelabs.com/wp-content/gallery/engenius-esr9850-wireless-router/router-bottom.jpg>).  
 Apple TV, downloaded on Feb. 3, 2014 from <http://www.apple.com/appletv/what-is/>.  
 Roku media players—Part 1, downloaded on Feb. 3, 2014 from <http://www.roku.com/products/roku-2>.  
 Roku media players—Part 2, downloaded on Feb. 3, 2014 from <http://www.roku.com/products/compare>.  
 Innovelis, Inc. Product—TotalMount—Apple TV Mounting Kit, downloaded from Amazon.com on Feb. 3, 2014, first available on Amazon.com on Jun. 22, 2011: <http://www.amazon.com/>

(56)

**References Cited**

## OTHER PUBLICATIONS

TotalMount-Apple-Universal-Mounting-Kit/dp/B0057CVH6W/  
ref=sr\_1\_1?ie=UTF8&qid=1391473446&sr=8-1  
&keywords=TOTALMOUNT.

Innovelis, Inc. Product—TotalMount—Roku Mounting Kit, downloaded from Amazon.com on Feb. 3, 2014, first available on Amazon.com on Jun. 14, 2012: [http://www.amazon.com/totalMount-ROKU-UNIVERSAL-MOUNTING-Compatible/dp/B008B1125W/ref=sr\\_1\\_2?ie=UTF8&qid=1391473922&sr=8-2&keywords=totalmount](http://www.amazon.com/totalMount-ROKU-UNIVERSAL-MOUNTING-Compatible/dp/B008B1125W/ref=sr_1_2?ie=UTF8&qid=1391473922&sr=8-2&keywords=totalmount).

Innovelis, Inc. Product—TotalMount—Remote Holder, downloaded from Amazon.com on Feb. 3, 2014, first available on Amazon.com on Jul. 2, 2013: [http://www.amazon.com/Apple-TV-Remote-Holder-TotalMount/dp/B00DR76YJO/ref=sr\\_1\\_3?ie=UTF8&qid=1391474218&sr=8-3&keywords=totalmount](http://www.amazon.com/Apple-TV-Remote-Holder-TotalMount/dp/B00DR76YJO/ref=sr_1_3?ie=UTF8&qid=1391474218&sr=8-3&keywords=totalmount).

Innovelis, Inc. Product—TotalMount—AirPort Express Mounting Kit, downloaded from Amazon.com on Feb. 3, 2014, first available on Amazon.com in approximately Sep. 2012: [http://www.amazon.com/TotalMount-AirPort-Express-Mounting-Kit/dp/B009HC7BL8/ref=sr\\_1\\_4?ie=UTF8&qid=1391474218&sr=8-4&keywords=totalmount](http://www.amazon.com/TotalMount-AirPort-Express-Mounting-Kit/dp/B009HC7BL8/ref=sr_1_4?ie=UTF8&qid=1391474218&sr=8-4&keywords=totalmount).

Innovelis, Inc. Product—TotalMount—Roku Mounting Kit (Version 1), downloaded from Amazon.com on Feb. 3, 2014, first available on Amazon.com on Jan. 19, 2012: [http://www.amazon.com/TotalMount-ROKU-MOUNTING-Compatible-Roku/dp/B006ZS4R46/ref=sr\\_1\\_5?ie=UTF8&qid=1391474218&sr=8-5&keywords=totalmount](http://www.amazon.com/TotalMount-ROKU-MOUNTING-Compatible-Roku/dp/B006ZS4R46/ref=sr_1_5?ie=UTF8&qid=1391474218&sr=8-5&keywords=totalmount).

Innovelis, Inc. Product—TotalMount—AirPort Extreme Mounting Kit, downloaded from Amazon.com on Feb. 3, 2014, first available on Amazon.com in approximately Apr. 2013: [http://www.amazon.com/TotalMount-Compatible-generations-compatible-generation/dp/B00CK2CDLK/ref=sr\\_1\\_7?ie=UTF8&qid=1391474218&sr=8-7&keywords=totalmount](http://www.amazon.com/TotalMount-Compatible-generations-compatible-generation/dp/B00CK2CDLK/ref=sr_1_7?ie=UTF8&qid=1391474218&sr=8-7&keywords=totalmount).

Innovelis, Inc. Product—TotalMount—Vizio Mounting Kit, downloaded from Amazon.com on Feb. 3, 2014, first available on Amazon.com in approximately May 2013: [http://www.amazon.com/TotalMount-VIZIO-Co-Star-Mounting-Kit/dp/B00GDMXSZ8/ref=sr\\_1\\_10?ie=UTF8&qid=1391474218&sr=8-10&keywords=totalmount](http://www.amazon.com/TotalMount-VIZIO-Co-Star-Mounting-Kit/dp/B00GDMXSZ8/ref=sr_1_10?ie=UTF8&qid=1391474218&sr=8-10&keywords=totalmount).

Amazon Fire TV, downloaded on Jun. 2, 2014 from <http://www.amazon.com/Fire-Tv-streaming-media-player/dp/B00CX5P8FC>.

\* cited by examiner



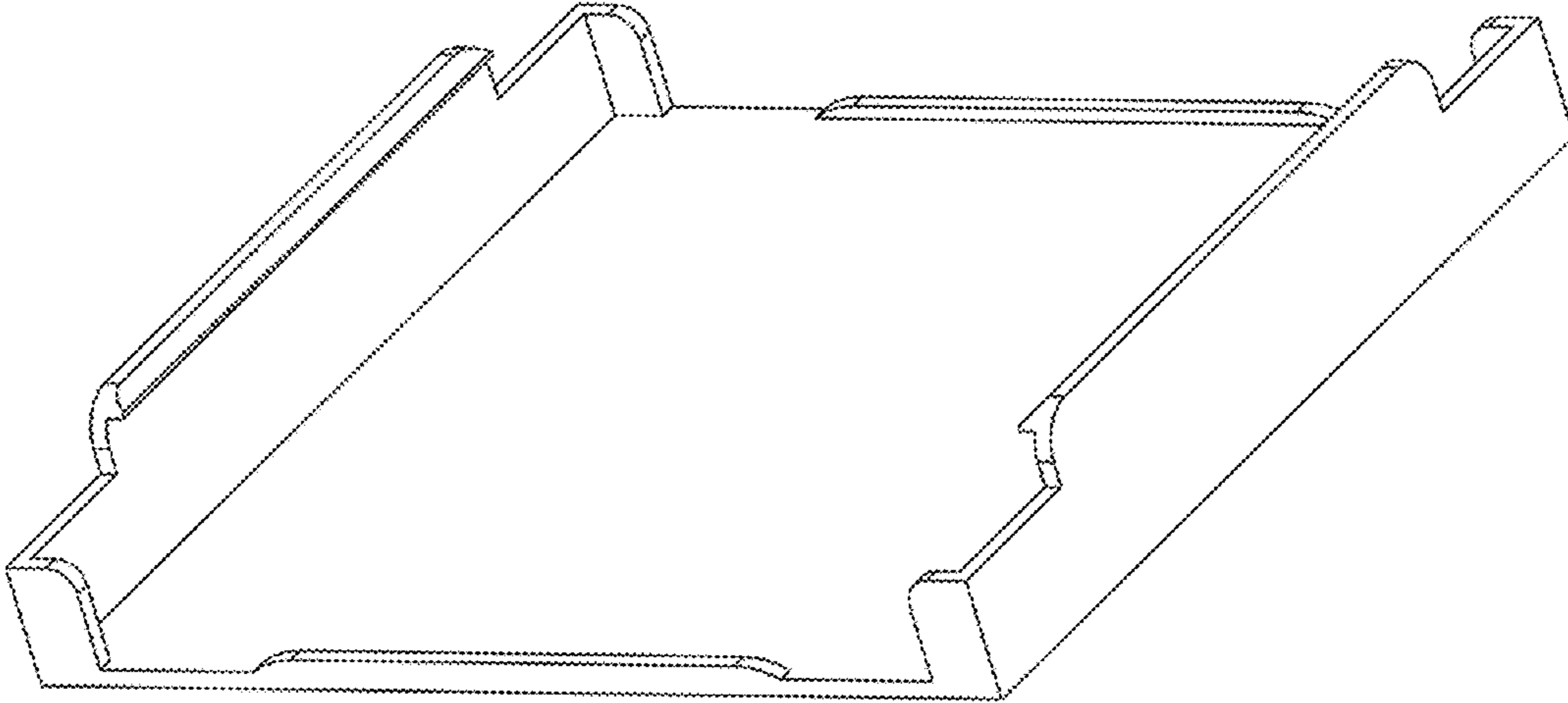


Figure 1

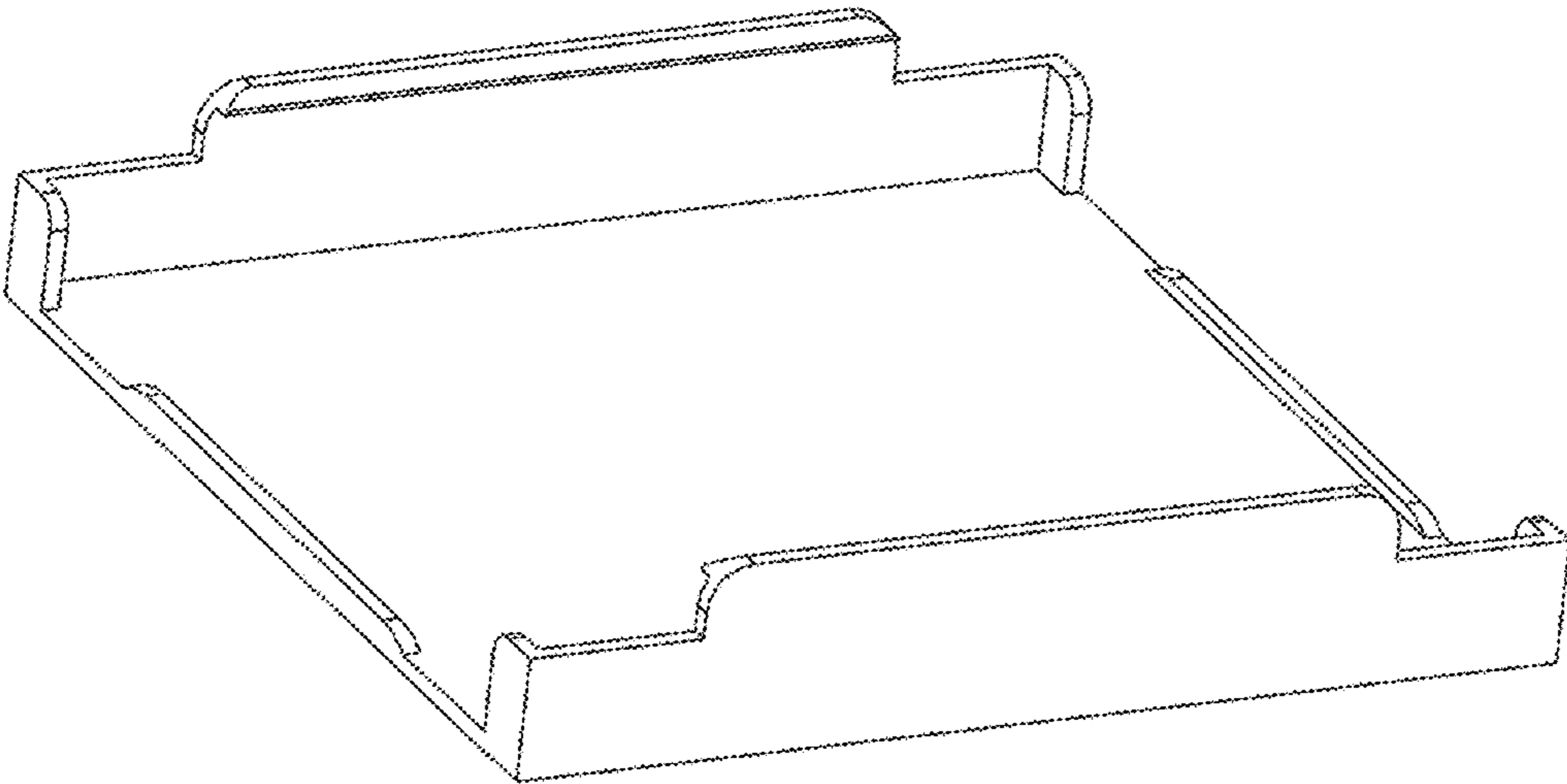


Figure 2

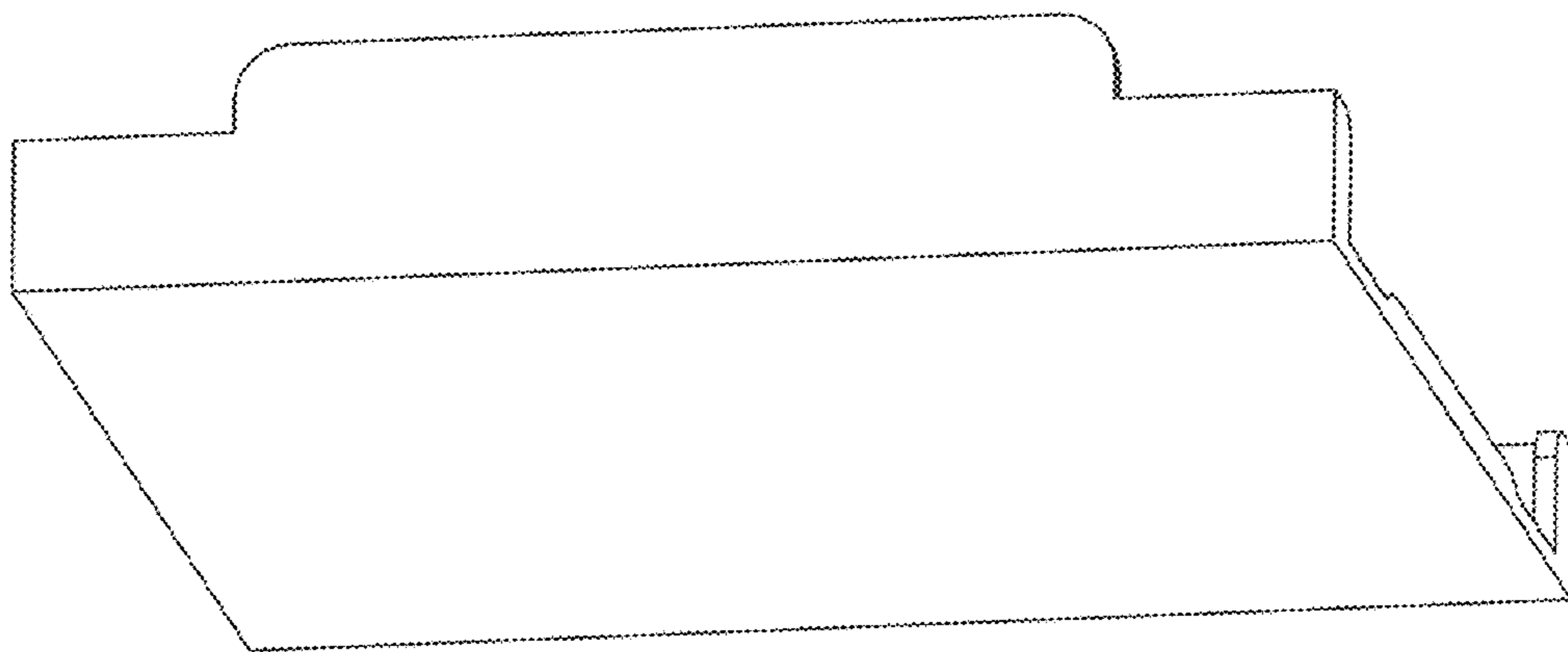


Figure 3

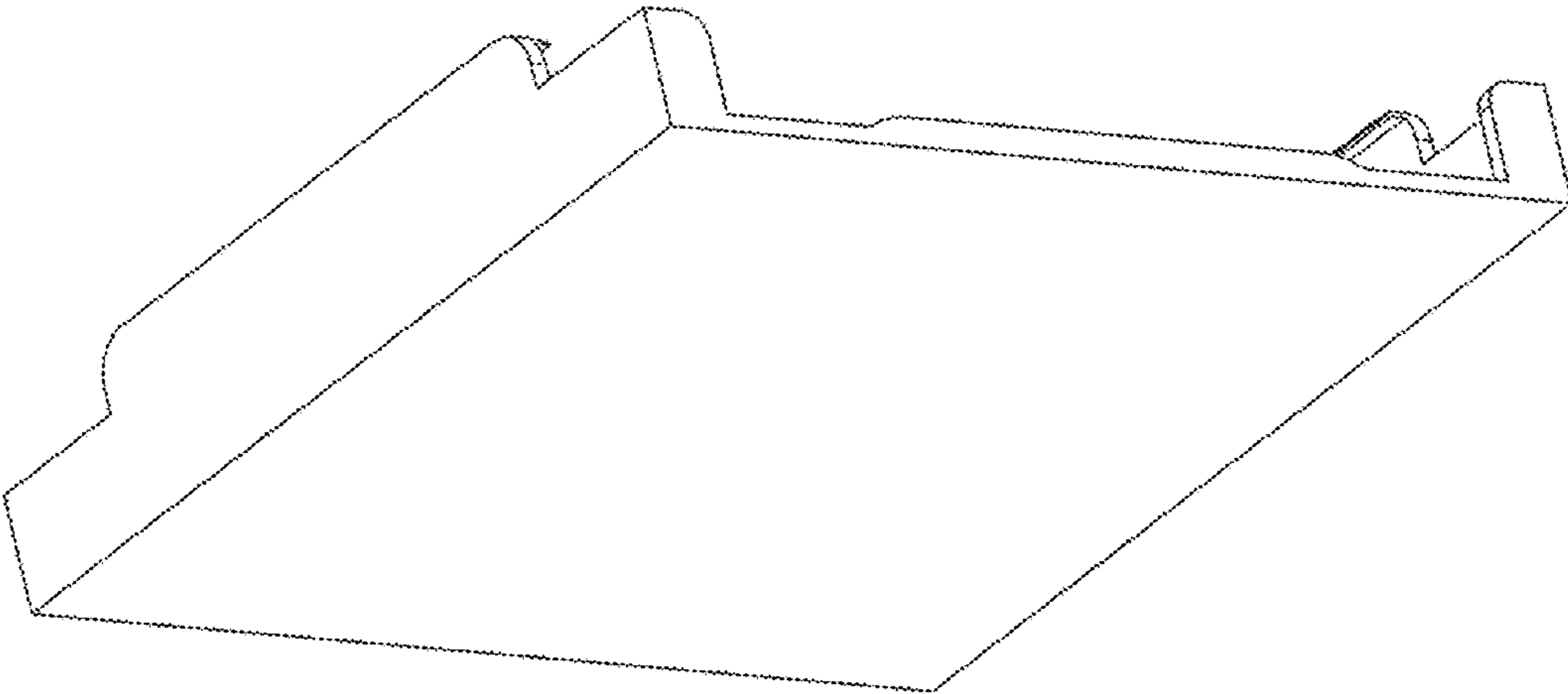


Figure 4

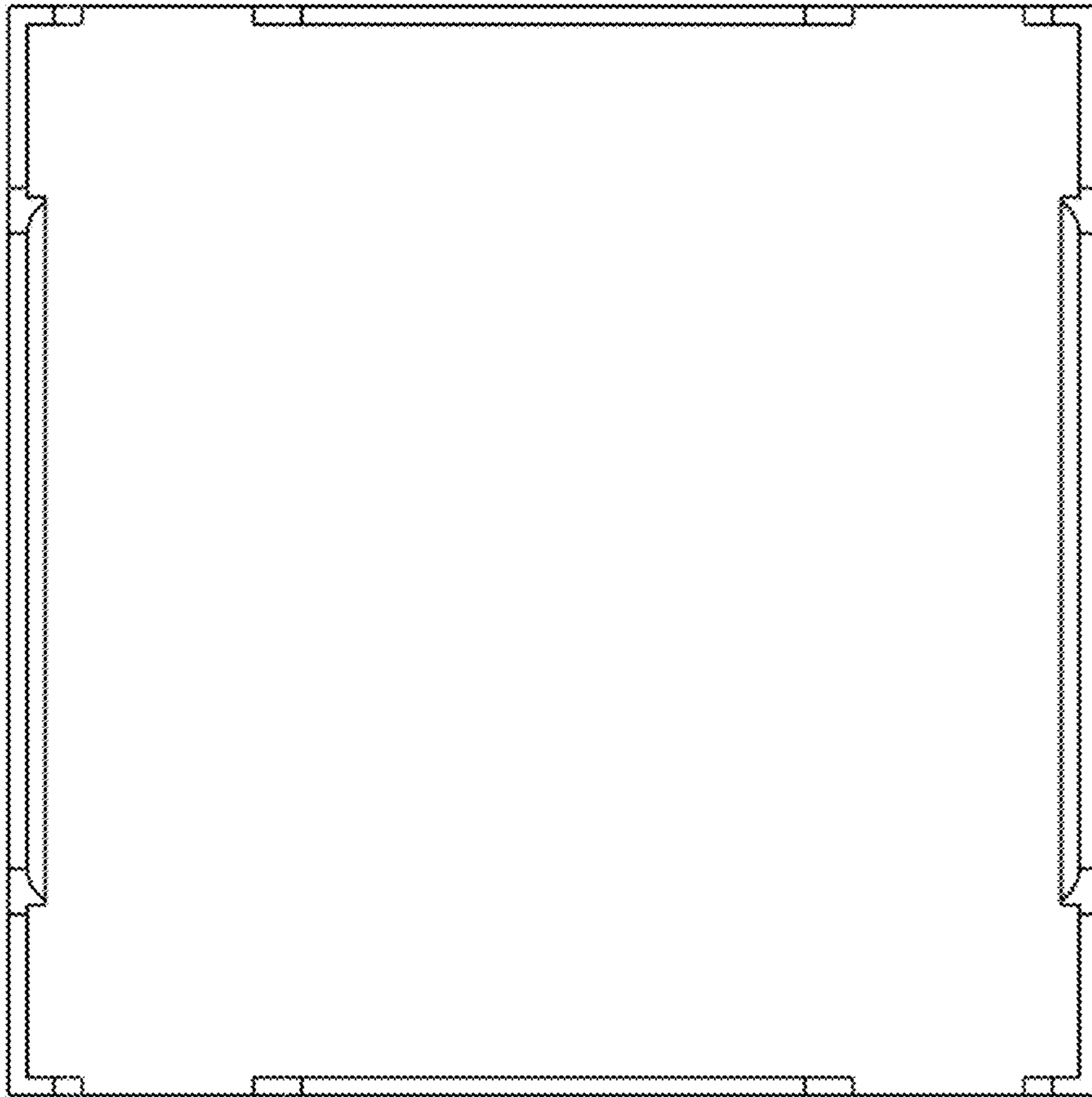


Figure 5



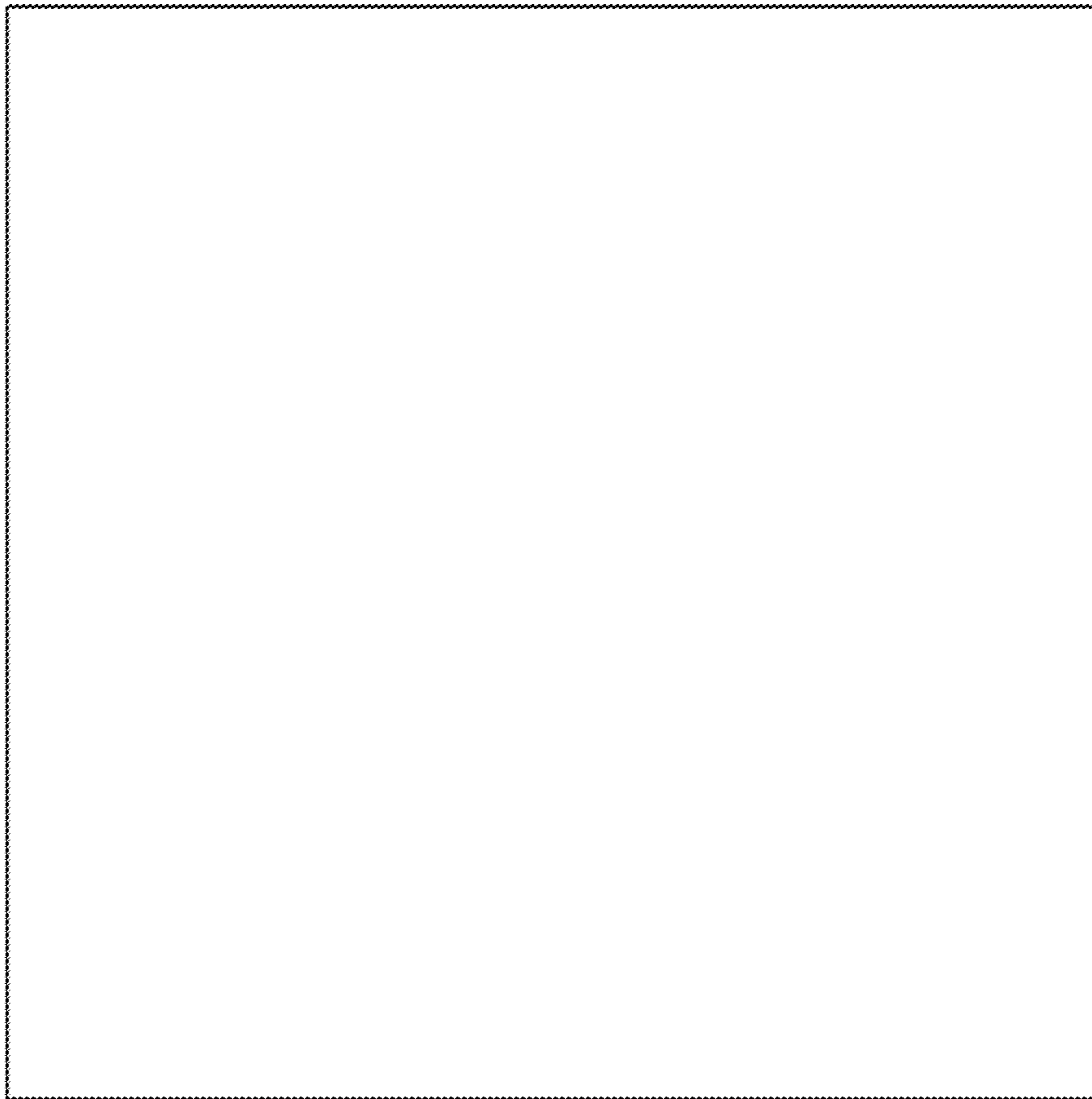


Figure 6



Figure 7



Figure 8