



US00D761233S

(12) **United States Design Patent**  
**Kawaji et al.**

(10) **Patent No.:** **US D761,233 S**  
(45) **Date of Patent:** **\*\* Jul. 12, 2016**

- (54) **EARPHONE**
- (71) Applicant: **FOSTER ELECTRIC COMPANY, LIMITED**, Tokyo (JP)
- (72) Inventors: **Etsuo Kawaji**, Tokyo (JP); **Koichi Yajima**, Tokyo (JP)
- (73) Assignee: **Foster Electric Company, Limited**, Akishima, Tokyo (JP)
- (\*\*) Term: **15 Years**
- (21) Appl. No.: **29/530,354**
- (22) Filed: **Jun. 16, 2015**
- (30) **Foreign Application Priority Data**  
Dec. 25, 2014 (JP) ..... 2014-029024
- (51) **LOC (10) Cl.** ..... **14-01**
- (52) **U.S. Cl.**  
USPC ..... **D14/223**
- (58) **Field of Classification Search**  
USPC ..... D14/223, 205; D24/174; 181/129, 130, 181/135; 379/430, 431; 380/380, 381, 370, 380/371, 74, 151, 384; 455/90.1, 569.1  
CPC ..... H04R 1/10; H04R 25/00; H04R 1/1016  
See application file for complete search history.

- (56) **References Cited**  
U.S. PATENT DOCUMENTS  
D499,397 S \* 12/2004 Hlas ..... D14/223  
D573,978 S \* 7/2008 Ledbetter ..... D14/205  
D578,517 S \* 10/2008 Pausch ..... D14/223  
D586,332 S \* 2/2009 Ewert ..... D14/223  
D604,272 S \* 11/2009 Kitayama ..... D14/223  
D607,880 S \* 1/2010 Chung ..... D14/223  
D625,117 S \* 10/2010 Houriet ..... D6/375  
D626,117 S \* 10/2010 Lowry ..... D14/223  
D652,024 S \* 1/2012 Quek ..... D14/223

- D657,780 S \* 4/2012 Dahlberg ..... D14/223
- D673,531 S \* 1/2013 Lee ..... D14/223
- 8,391,536 B2 \* 3/2013 Hashimoto ..... H04R 1/1016  
381/370
- D683,332 S \* 5/2013 Lee ..... D14/223
- D685,350 S \* 7/2013 Mogili ..... D14/223
- D686,597 S \* 7/2013 Lee ..... D14/223
- D697,050 S \* 1/2014 Thompson ..... D14/206
- D701,195 S \* 3/2014 Katsumata ..... D14/223
- D707,652 S \* 6/2014 Brunner ..... D14/205
- D710,334 S \* 8/2014 Yang ..... D14/223
- D711,857 S \* 8/2014 Burgett ..... D14/223
- D716,272 S \* 10/2014 Yang ..... D14/223
- D718,286 S \* 11/2014 Yang ..... D14/223
- D719,550 S \* 12/2014 Yang ..... D14/223
- D722,040 S \* 2/2015 Tan ..... D14/205
- D726,165 S \* 4/2015 Kawaji ..... D14/223
- D729,775 S \* 5/2015 Seo ..... D14/205
- D738,864 S \* 9/2015 Lee ..... D14/223
- D740,255 S \* 10/2015 Samrelius ..... D14/206
- D742,860 S \* 11/2015 Miyake ..... D14/223
- D746,792 S \* 1/2016 Kim ..... D14/205
- D747,702 S \* 1/2016 Breines ..... D14/223
- D751,530 S \* 3/2016 Kolton ..... D14/205

(Continued)

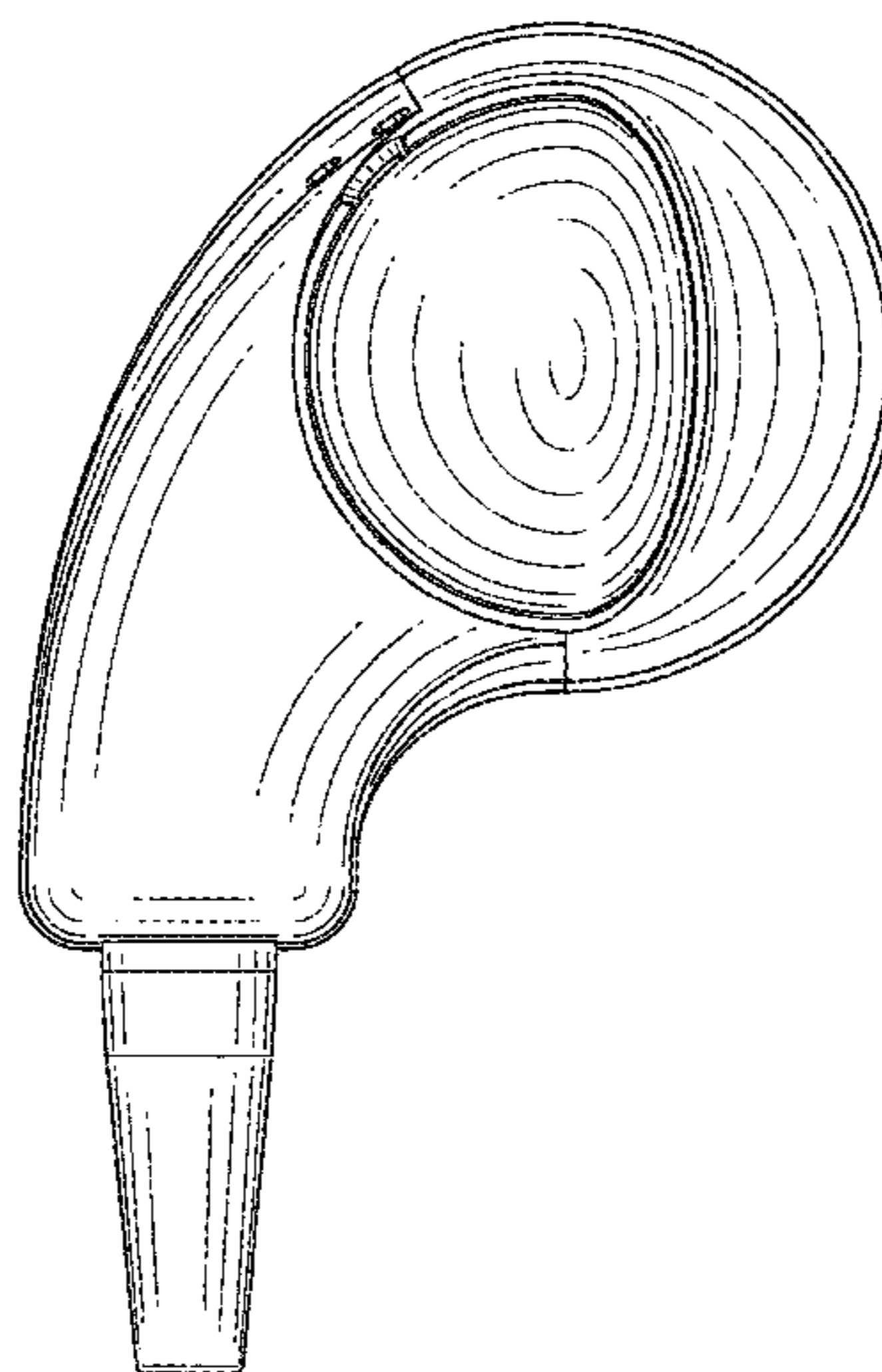
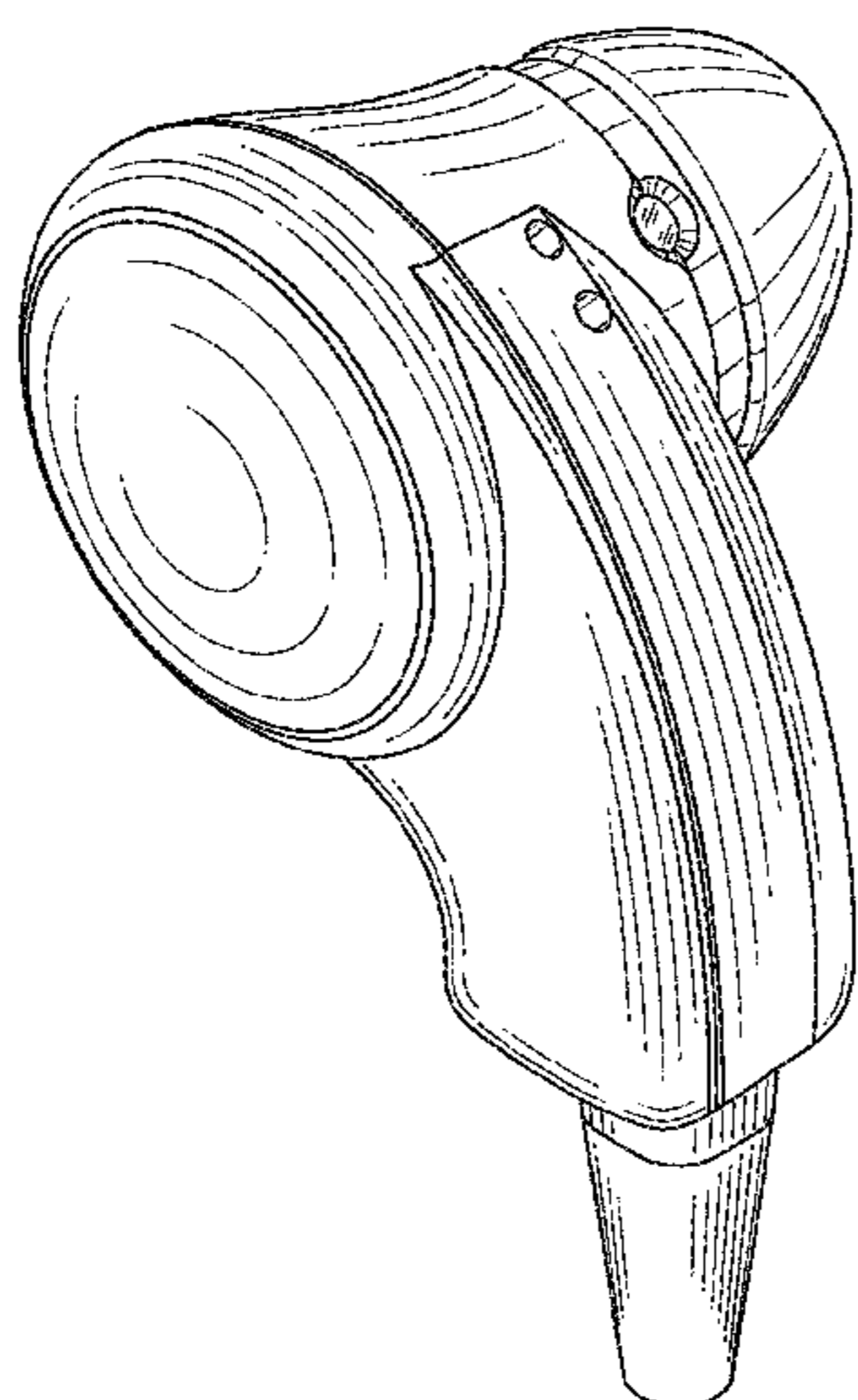
*Primary Examiner* — Paula Greene  
(74) *Attorney, Agent, or Firm* — Allen Dyer Doppelt Milbrath et al.

(57) **CLAIM**  
The ornamental design for an earphone, as shown.

**DESCRIPTION**

FIG. 1 is a front, top, right side perspective view of an earphone, according to an embodiment of the present invention; FIG. 2 is a right side view thereof; FIG. 3 is a left side view thereof; FIG. 4 is a rear thereof; FIG. 5 is a front view thereof; FIG. 6 is a top view thereof; and, FIG. 7 is a bottom view thereof.

**1 Claim, 6 Drawing Sheets**



(56)

**References Cited**

2007/0098201 A1\* 5/2007 Chen ..... H04R 1/1016  
381/380

U.S. PATENT DOCUMENTS

D752,542 S \* 3/2016 Lamar ..... D14/205 \* cited by examiner

FIG. 1

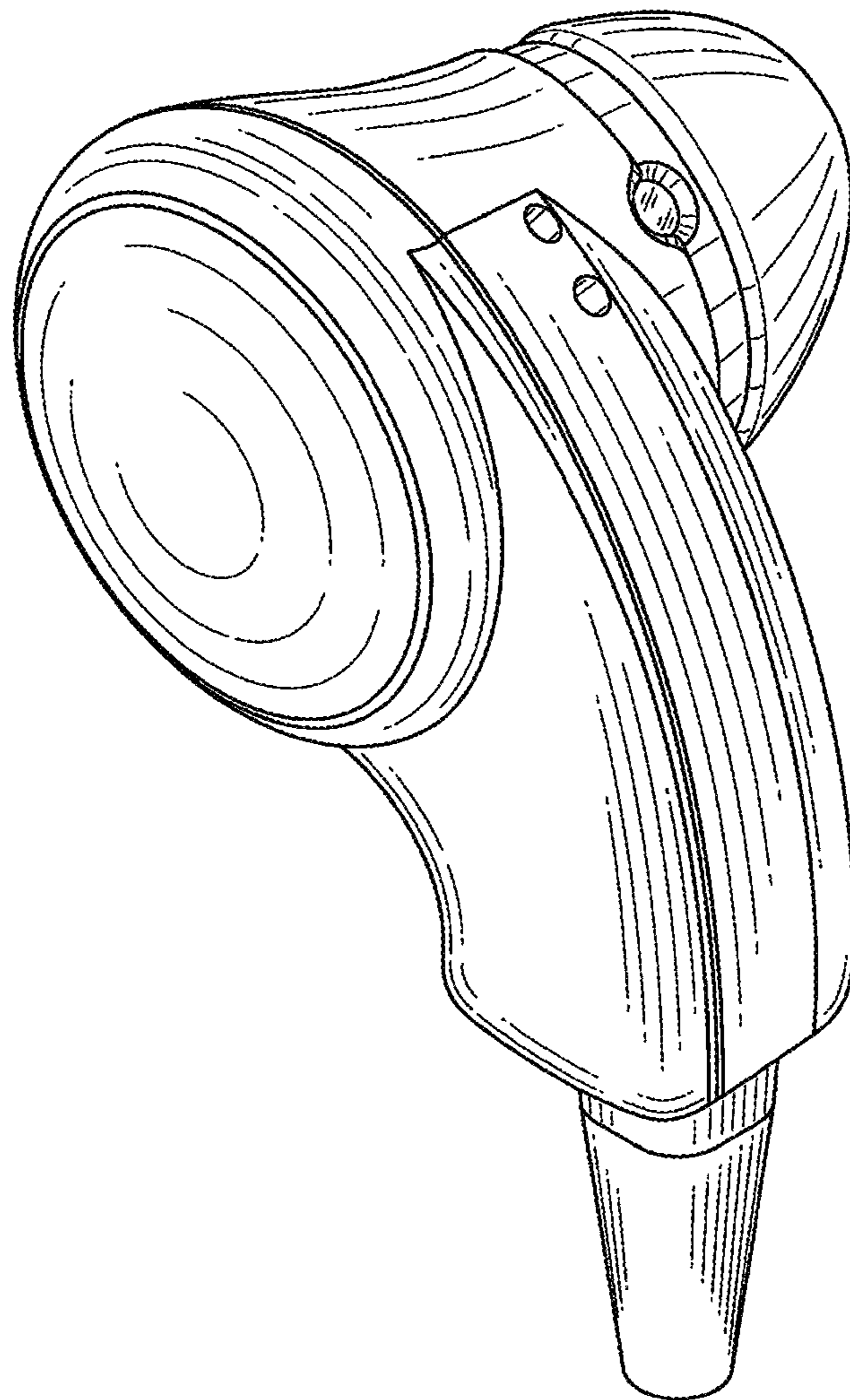


FIG.2

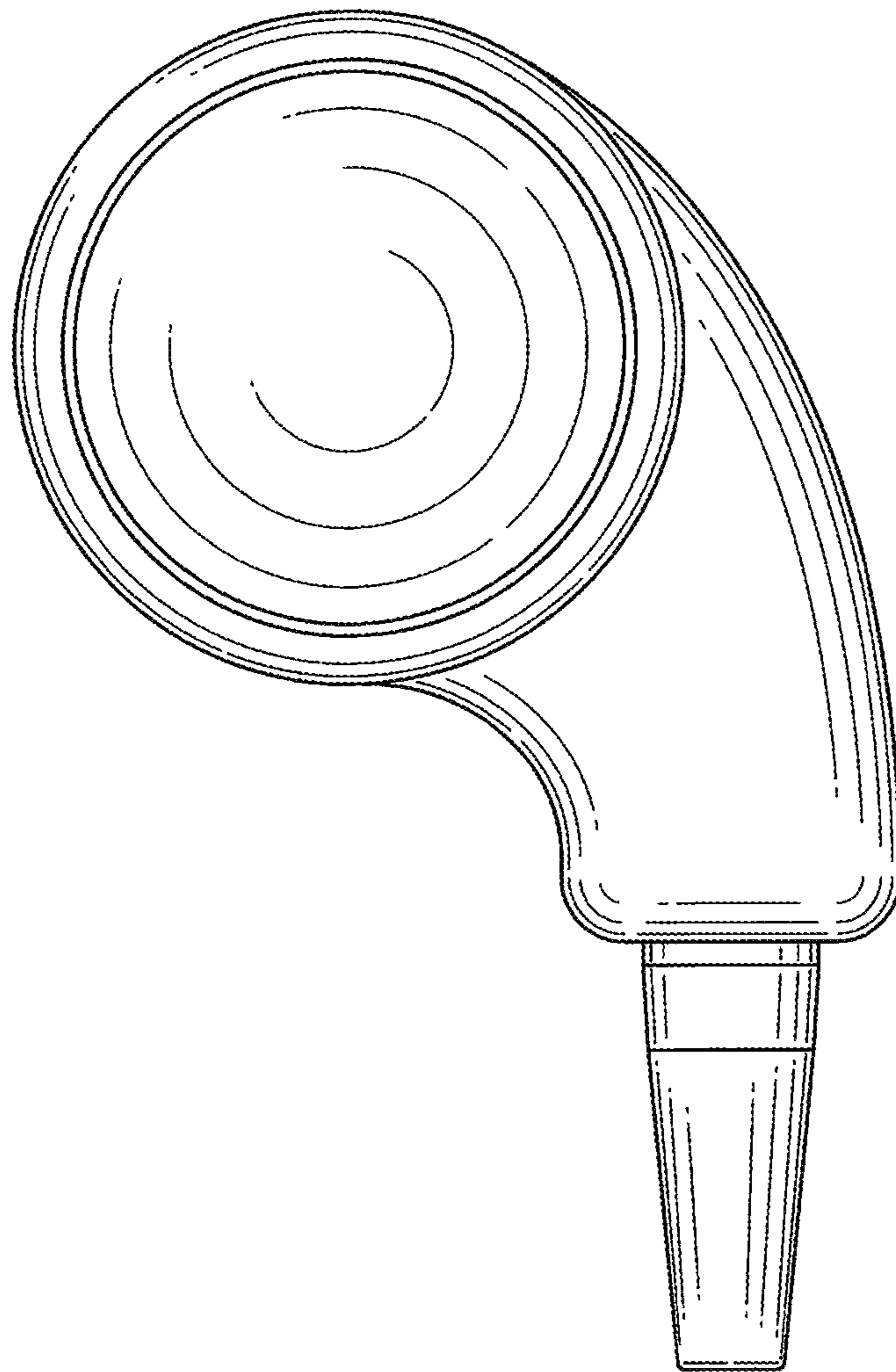


FIG.3

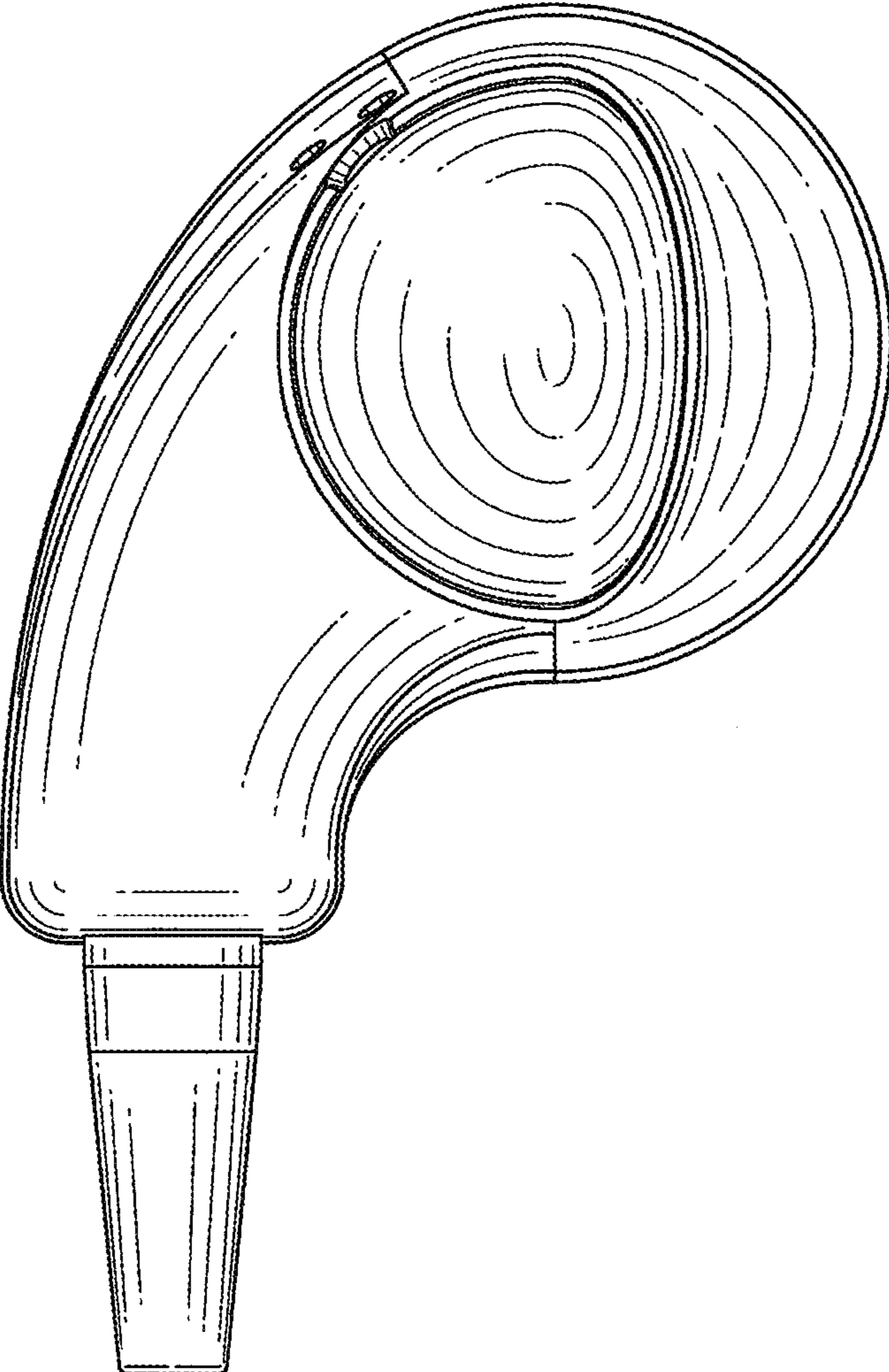


FIG.4

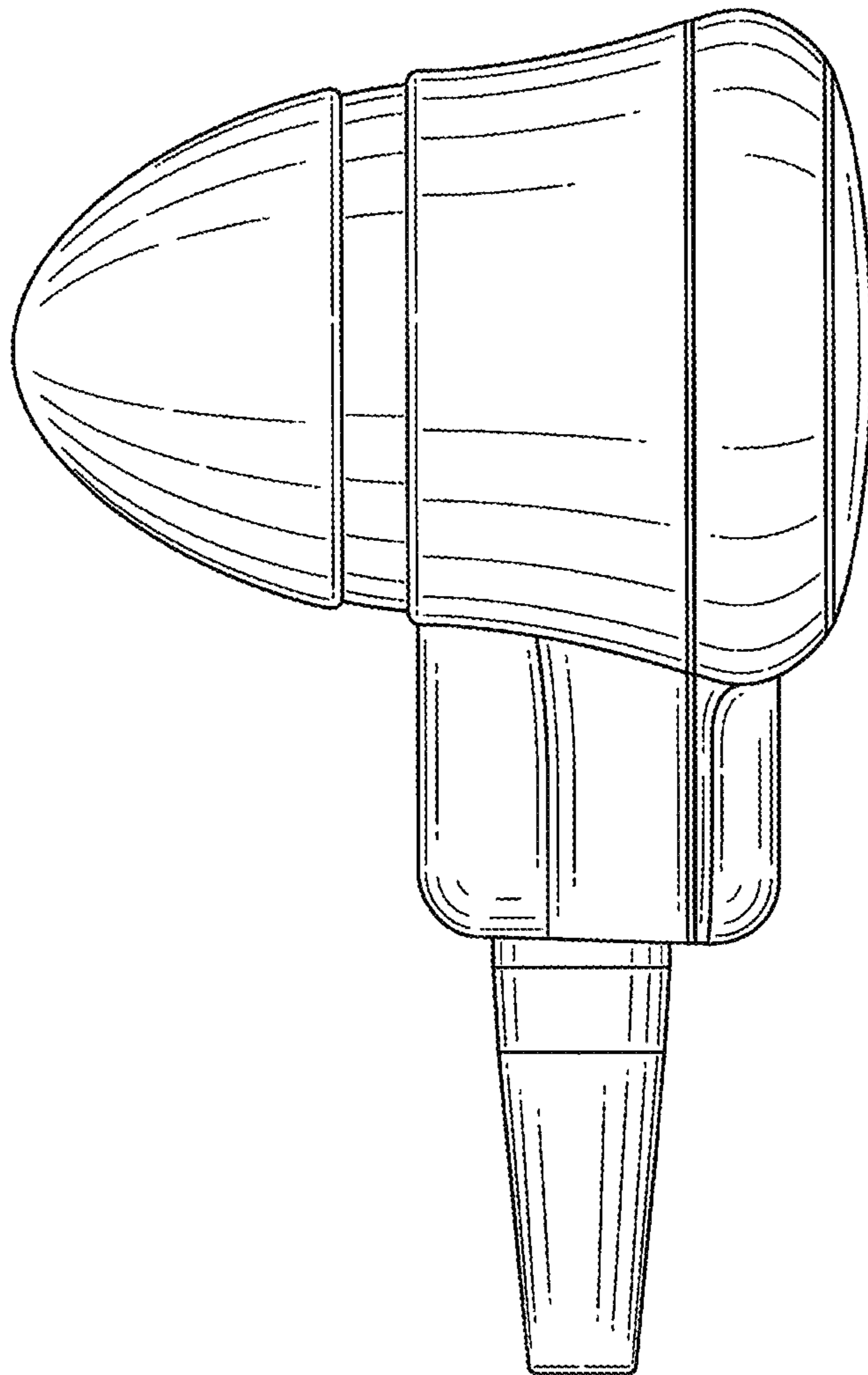


FIG.5

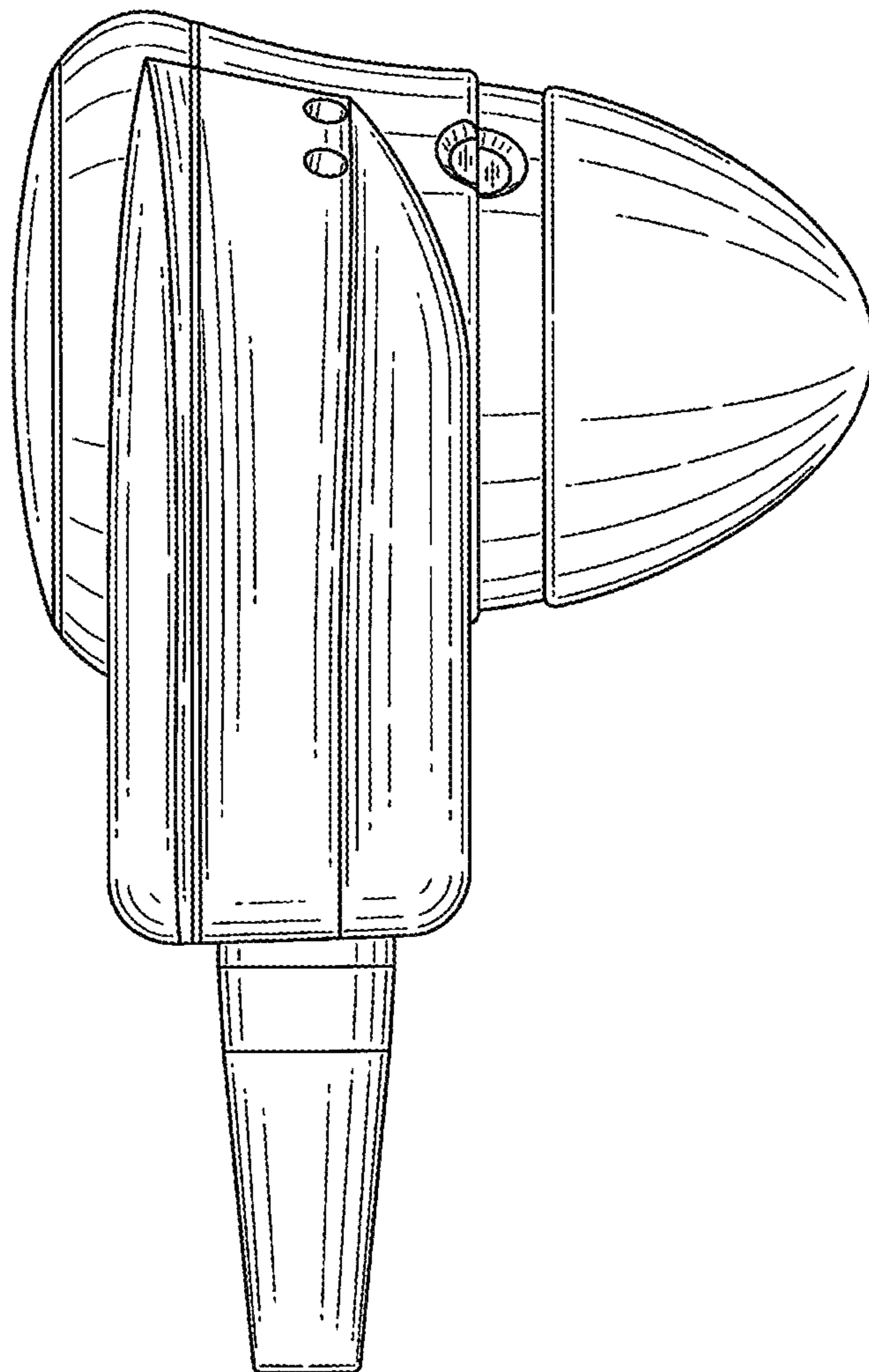


FIG.6

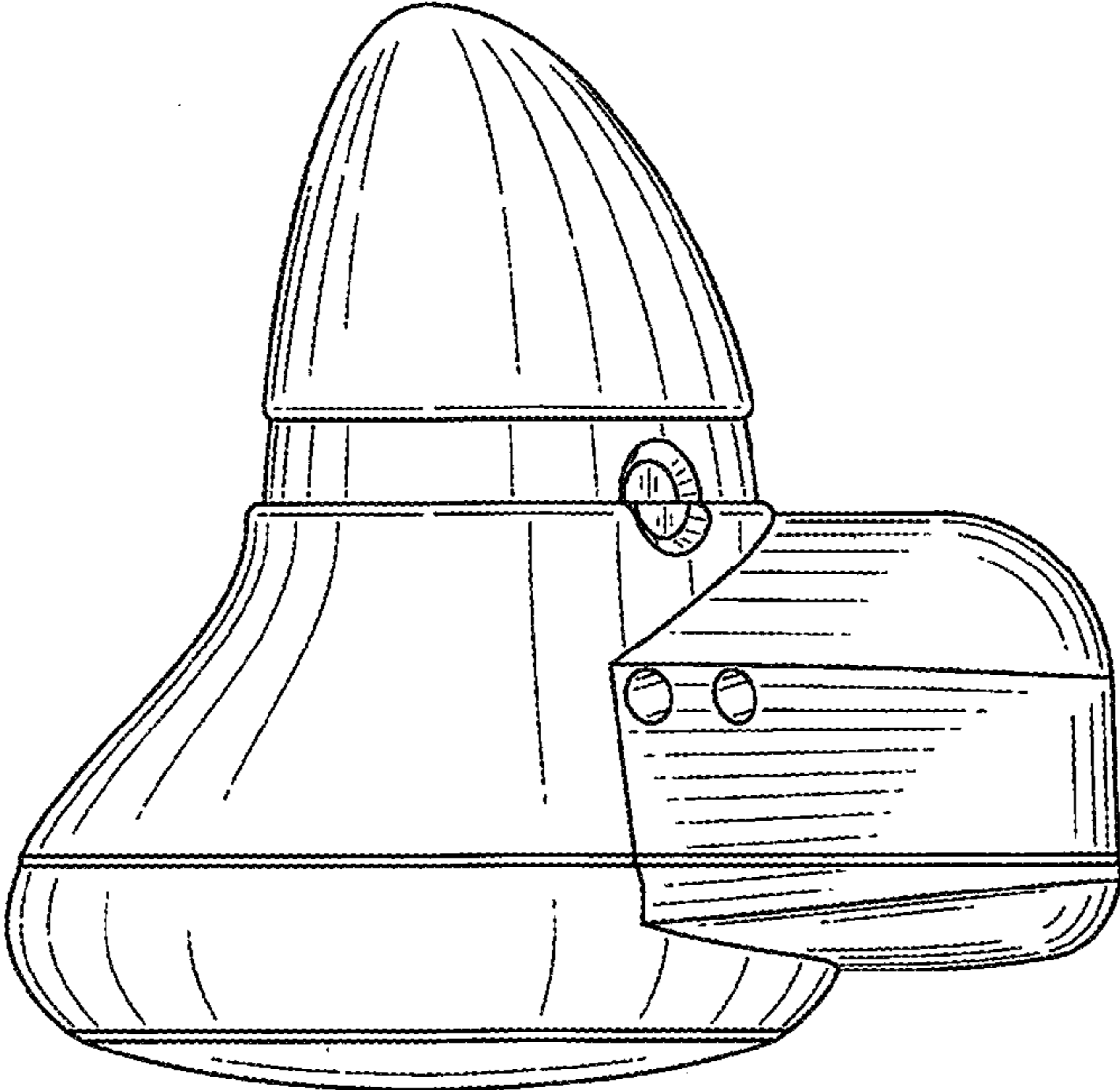


FIG.7

