



US00D761229S

(12) **United States Design Patent**
Tang

(10) **Patent No.:** **US D761,229 S**
(45) **Date of Patent:** **** Jul. 12, 2016**

- (54) **BLUETOOTH SPEAKER**
- (71) Applicant: **Bing Tang**, Guangdong (CN)
- (72) Inventor: **Bing Tang**, Guangdong (CN)
- (**) Term: **14 Years**
- (21) Appl. No.: **29/522,221**
- (22) Filed: **Mar. 27, 2015**
- (51) **LOC (10) Cl.** **14-02**
- (52) **U.S. Cl.**
USPC **D14/207**
- (58) **Field of Classification Search**
USPC D14/204, 207, 210–216, 172, 209.1,
D14/203.2, 189; 181/143, 144, 147, 148,
181/150–153, 157, 198, 199; 381/300–303,
381/306, 332, 333, 336, 345, 361–364,
381/386–388; D11/160, 162, 606–609,
D11/832; 455/344–347; 369/6–12; D9/683,
D9/500, 738, 763; D7/300, 601–606
CPC H04R 1/00; H04R 1/02; H04R 2400/00;
H05K 5/00
See application file for complete search history.

- 5,319,164 A * 6/1994 Shen H04R 1/025
181/150
- D577,356 S * 9/2008 Moon D14/168
- D676,423 S * 2/2013 Joseph D14/216
- D720,332 S * 12/2014 Kim D14/216
- 8,967,323 B1 * 3/2015 Grenier H04R 1/403
181/198
- D737,249 S * 8/2015 Zhao D14/216
- D740,258 S * 10/2015 Yu D14/216
- D741,294 S * 10/2015 Zhu D14/214
- 9,197,951 B1 * 11/2015 Yang H04R 1/02
- D746,261 S * 12/2015 Silvera D14/207

* cited by examiner

Primary Examiner — Prabhakar Deshmukh

(56) **References Cited**

U.S. PATENT DOCUMENTS

- D229,845 S * 1/1974 Schreckengost D12/501
- 4,620,317 A * 10/1986 Anderson H04R 1/345
181/155

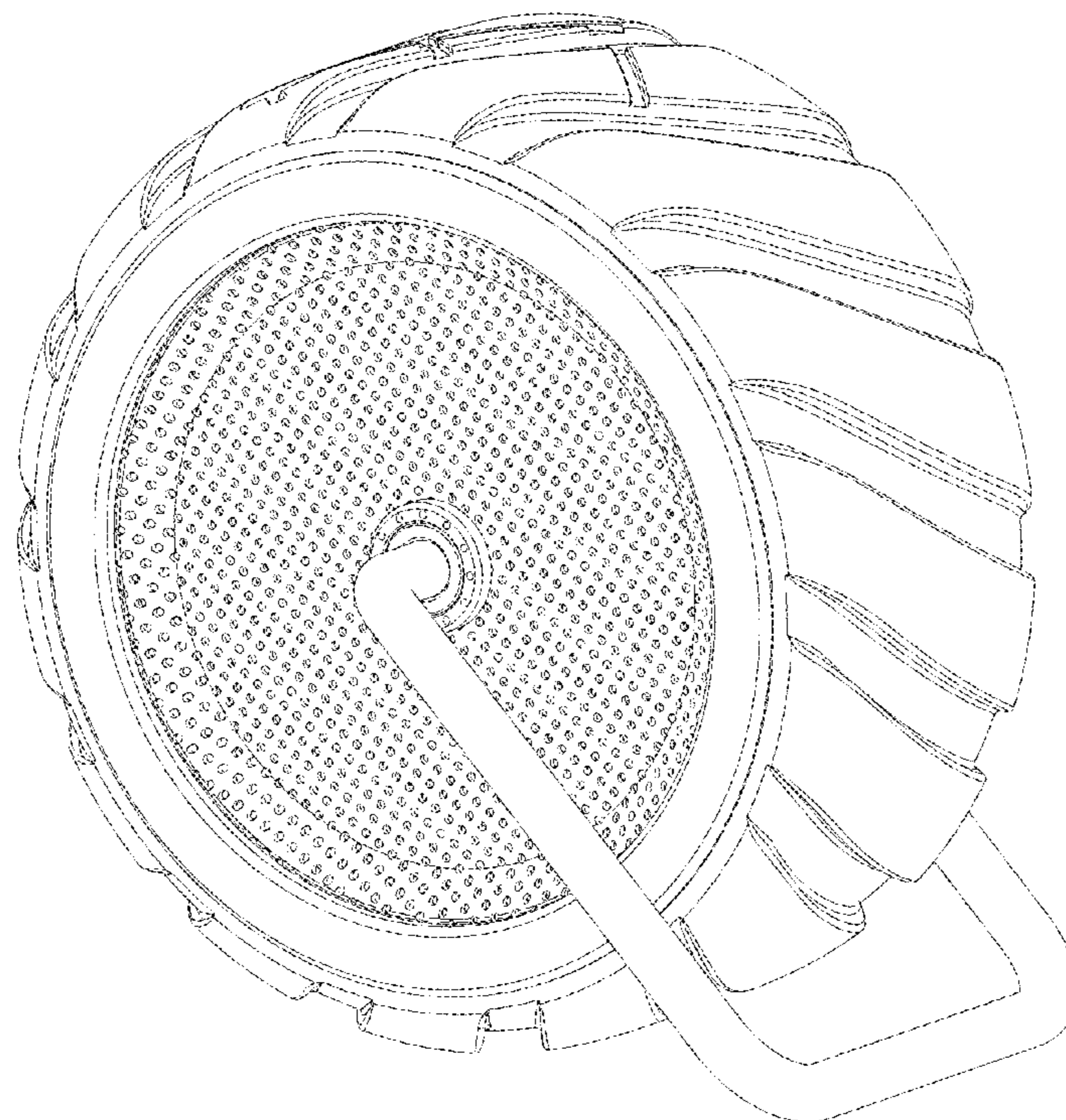
(57) **CLAIM**

The ornamental design for a bluetooth speaker, as shown and described.

DESCRIPTION

FIG. 1 is a front elevational view of a bluetooth speaker showing my new design;
 FIG. 2 is a rear elevational view thereof;
 FIG. 3 is a left side elevational view thereof;
 FIG. 4 is a right side elevational thereof;
 FIG. 5 is a top plan view thereof;
 FIG. 6 is a bottom plan view thereof; and,
 FIG. 7 is a perspective view thereof.

1 Claim, 7 Drawing Sheets



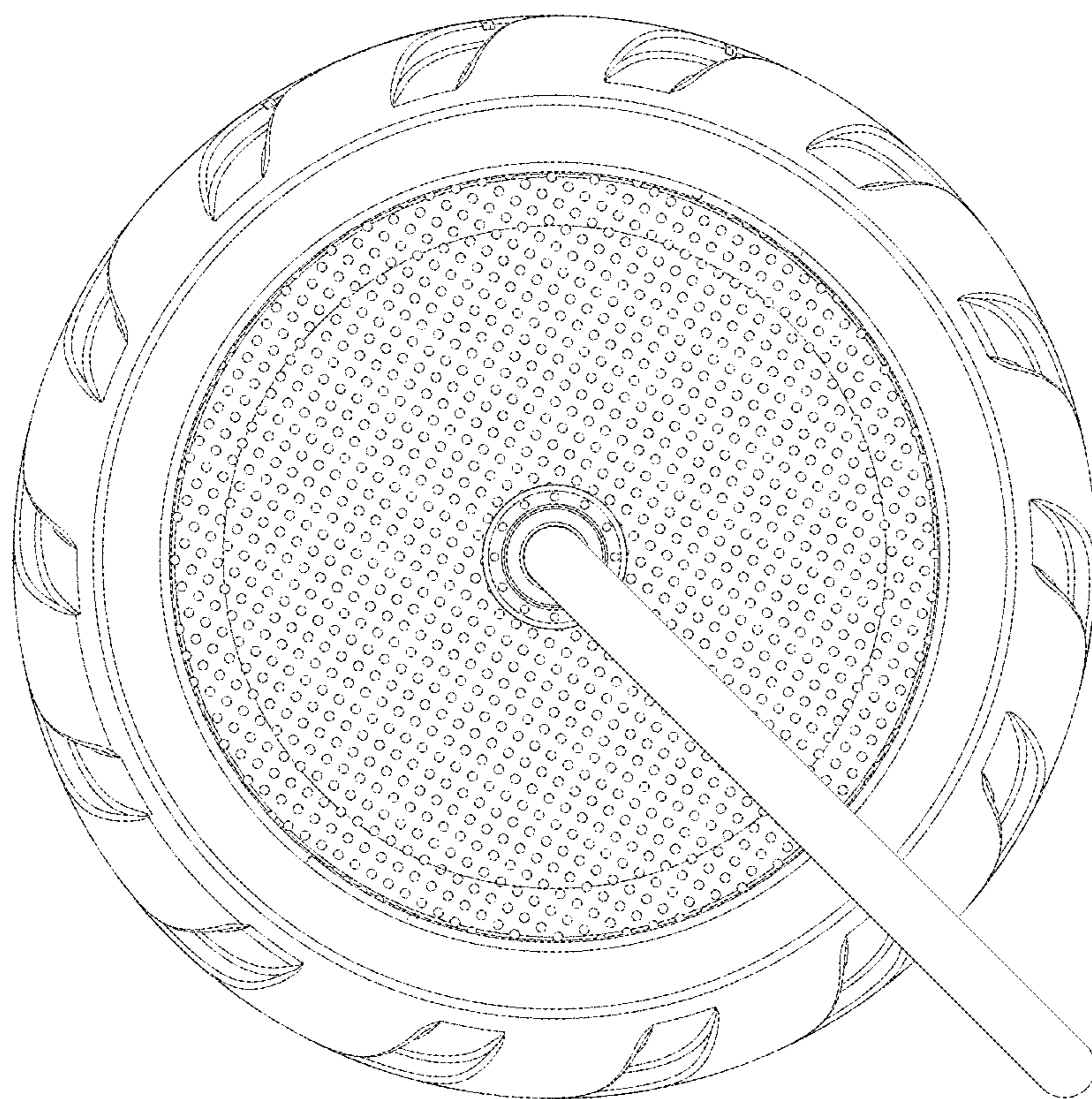


Fig. 1

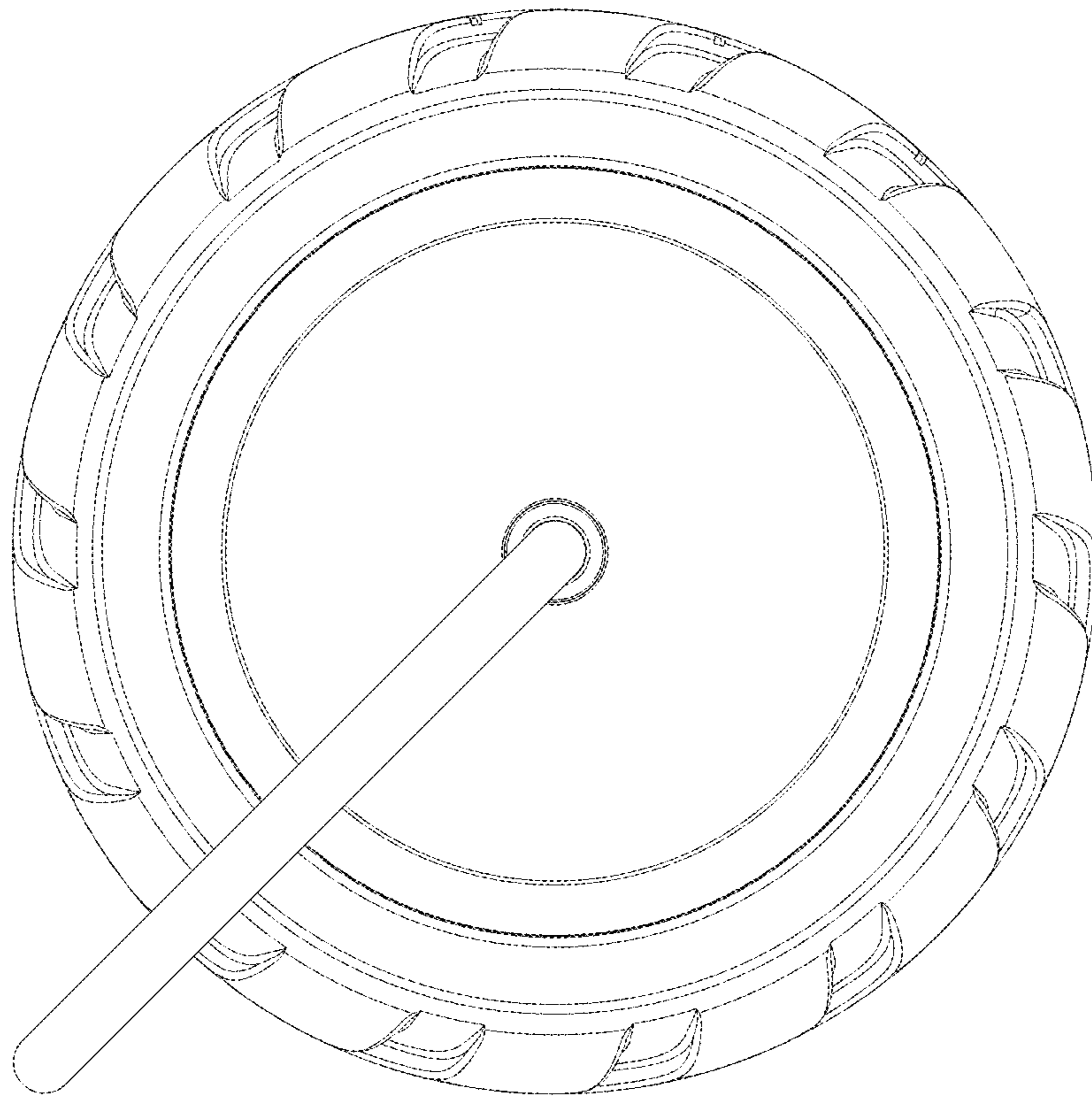


Fig. 2

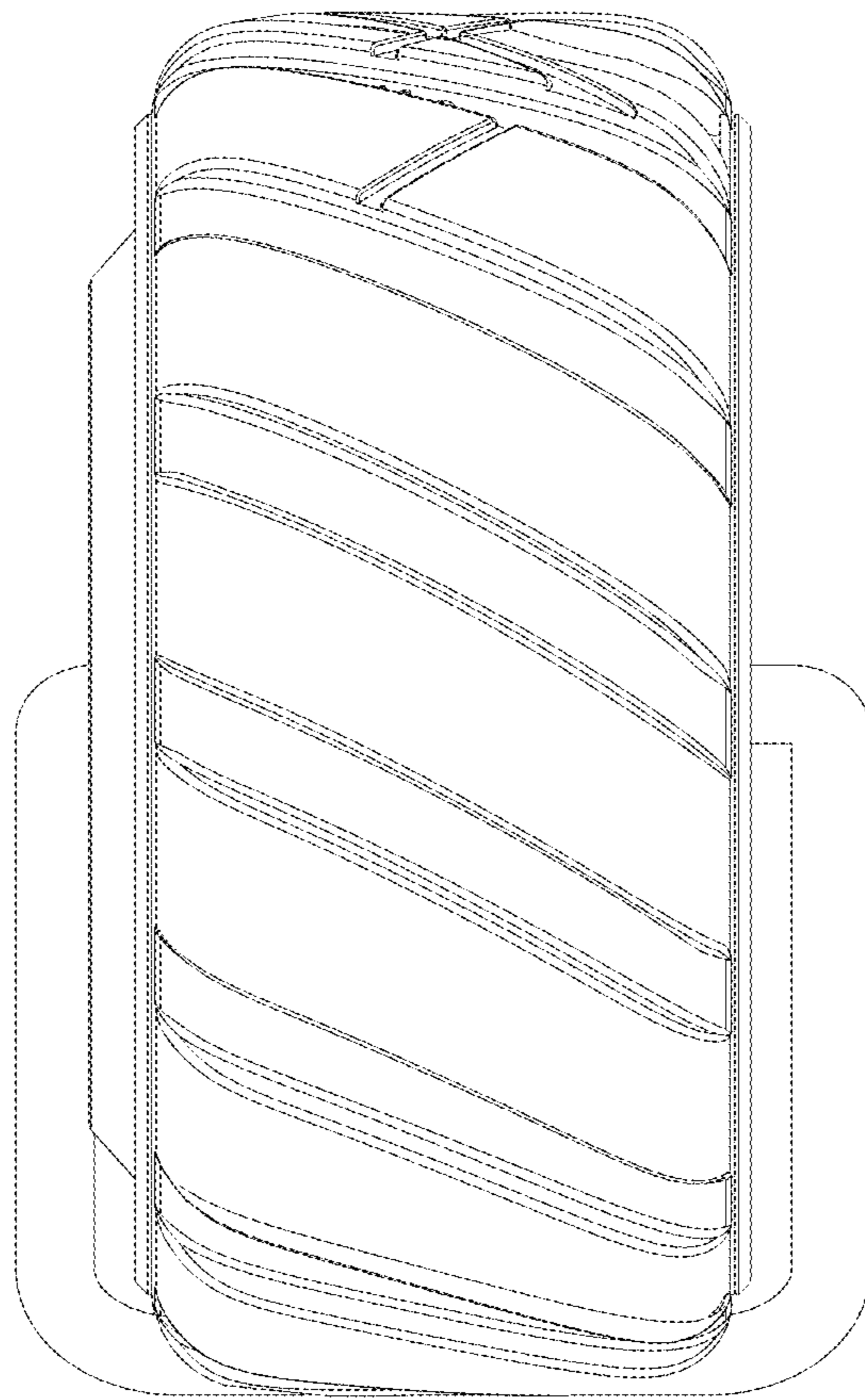


Fig. 3

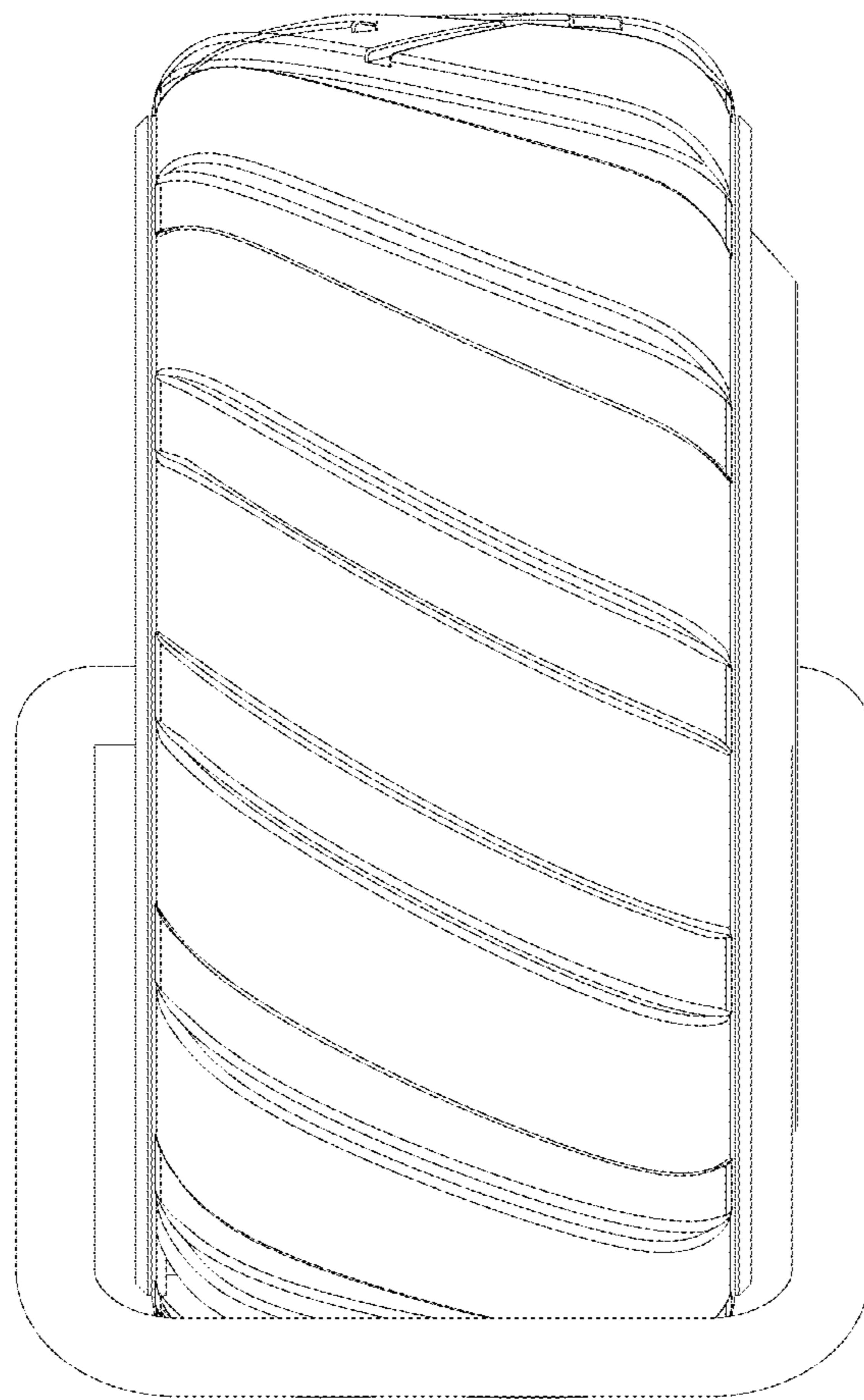


Fig. 4

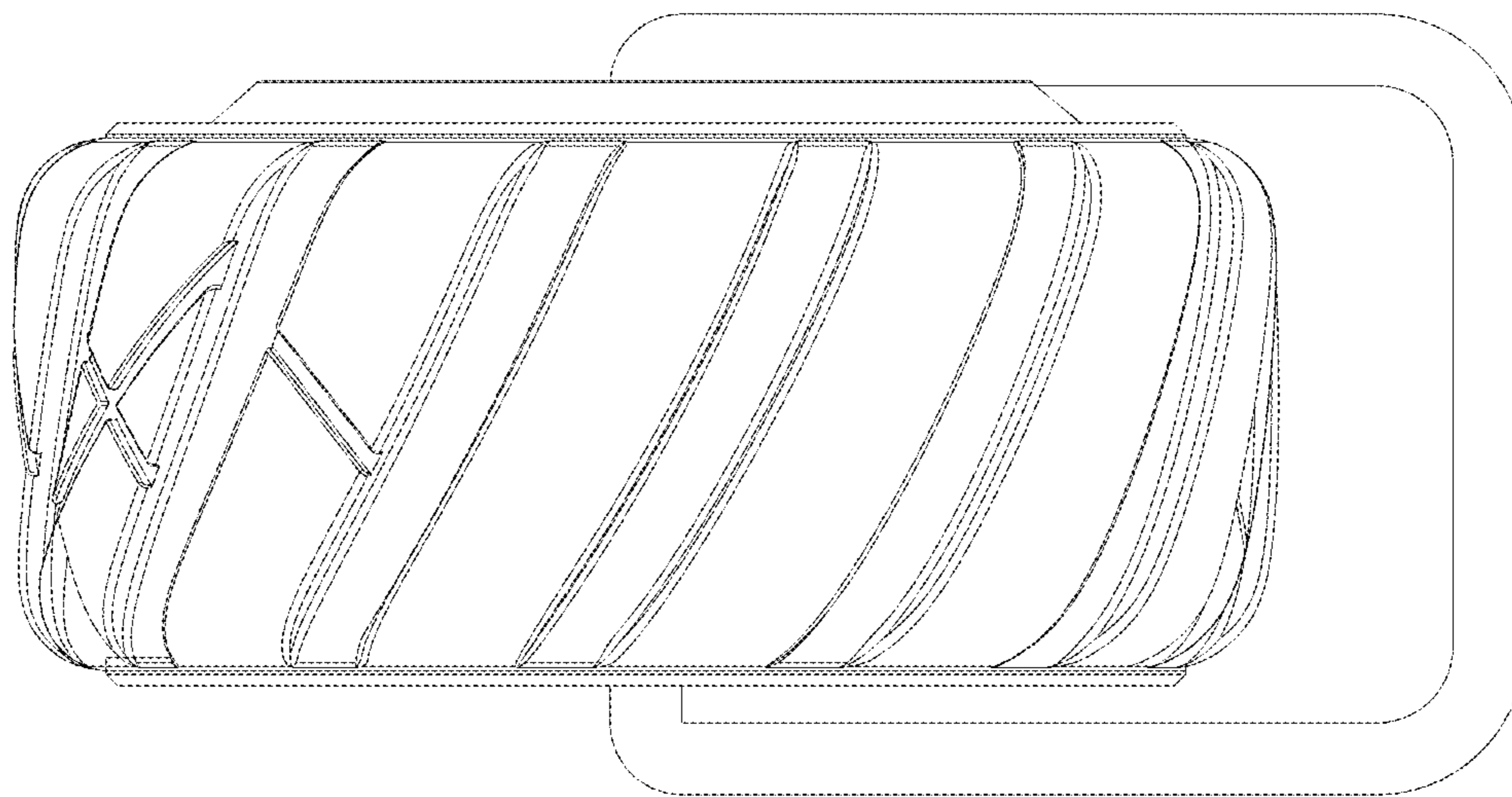


Fig. 5

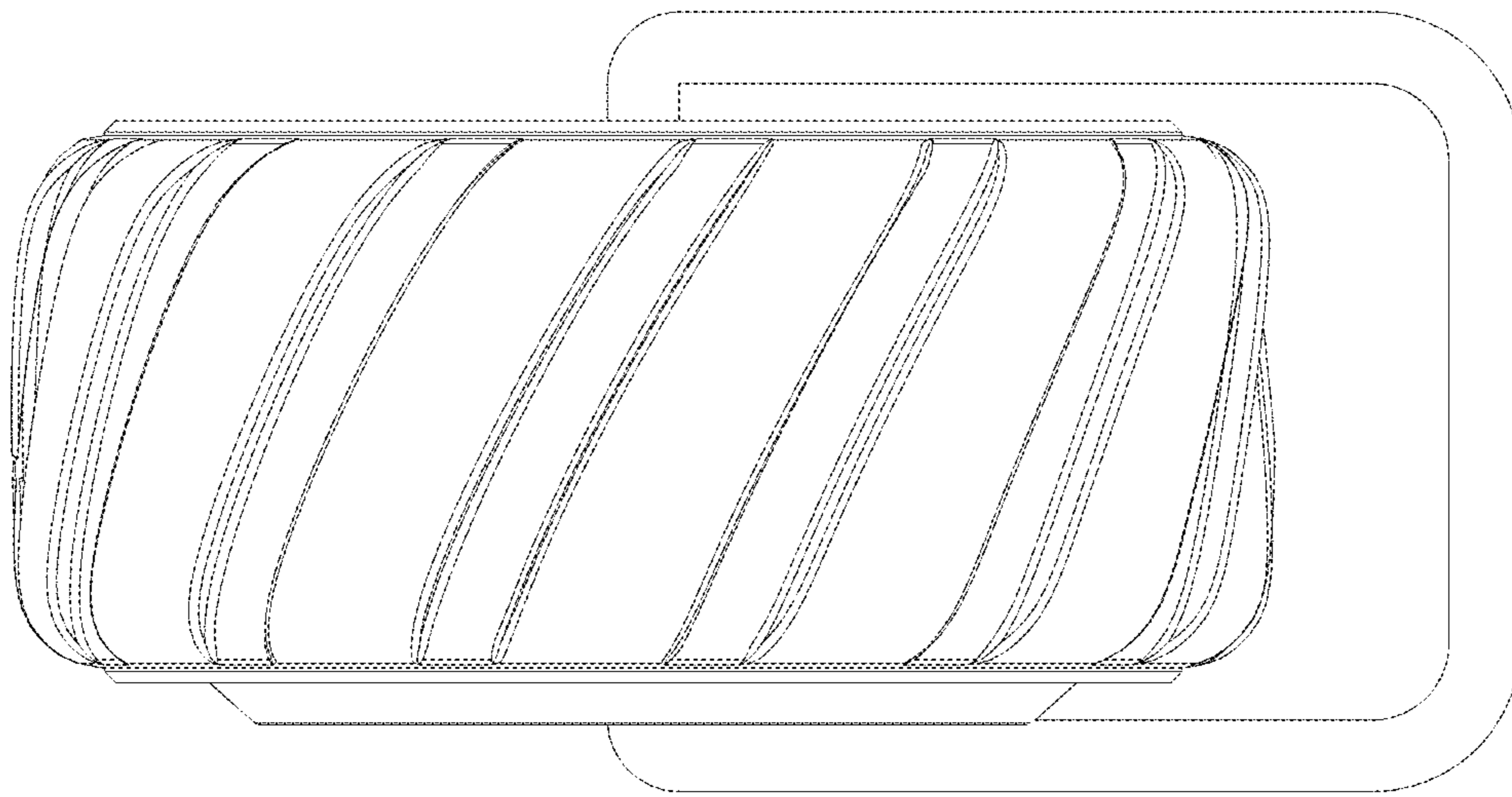


Fig. 6

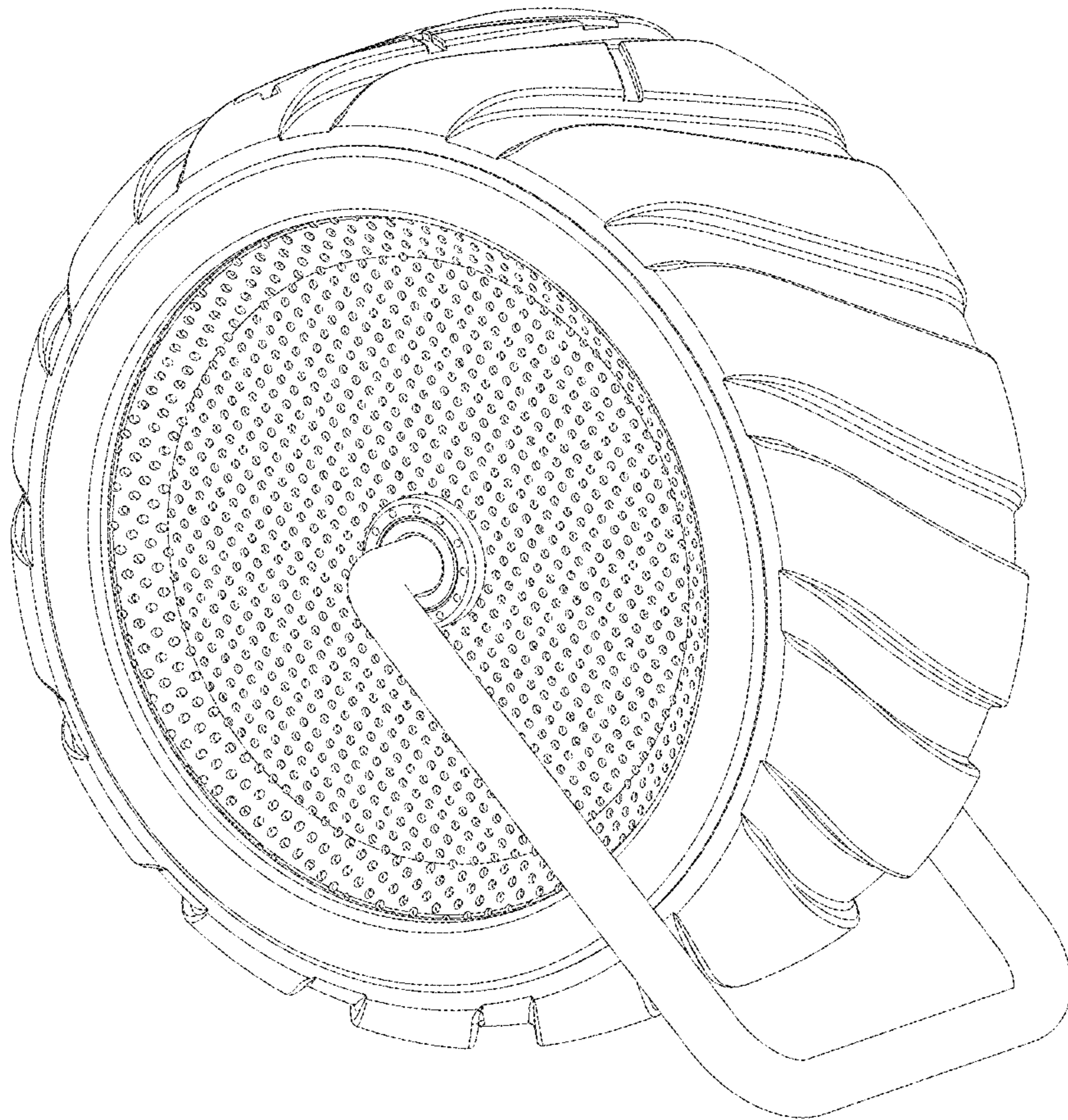


Fig. 7