



US00D761227S

(12) **United States Design Patent**
Poandl

(10) **Patent No.:** **US D761,227 S**
(45) **Date of Patent:** **** Jul. 12, 2016**

(54) **BLUETOOTH STEREO CLOCK RADIO WITH
REMOVABLE BATTERY PACK**

(71) Applicant: **Mary Beth Poandl**, Red Bank, NJ (US)

(72) Inventor: **Mary Beth Poandl**, Red Bank, NJ (US)

(73) Assignee: **SDI TECHNOLOGIES, INC.**, Rahway,
NJ (US)

(**) Term: **14 Years**

(21) Appl. No.: **29/509,619**

(22) Filed: **Nov. 19, 2014**

(51) **LOC (10) Cl.** **14-01**

(52) **U.S. Cl.**
USPC **D14/171; D14/204**

(58) **Field of Classification Search**
USPC D14/167, 168, 170–172, 188, 194, 204,
D14/207, 209.1, 210–217, 221, 222, 224,
D14/496; 181/143, 144, 148, 153, 157, 198,
181/199; 369/6–12; 381/300–303, 306,
381/332, 333, 336, 345, 361–364, 366,
381/386–388
CPC A47B 81/06; H04R 1/02; H04R 1/021;
H04R 19/013; H04R 2420/27; H05K 5/00
See application file for complete search history.

(56) **References Cited**

U.S. PATENT DOCUMENTS

D228,515 S * 10/1973 Watanabe D10/15
5,883,859 A * 3/1999 Bentley G04G 21/00
368/10
D563,390 S * 3/2008 Vafiadis D14/188

D597,064 S * 7/2009 Machida D14/167
D648,743 S * 11/2011 Chang D14/168
D677,245 S * 3/2013 Joseph D14/204
D678,863 S * 3/2013 Inada D14/204
D688,228 S * 8/2013 Ryu D14/209.1
2009/0073813 A1* 3/2009 Stephens G04G 13/021
368/73

* cited by examiner

Primary Examiner — Derrick Holland

Assistant Examiner — Janice Lim

(74) *Attorney, Agent, or Firm* — Ostrolenk Faber LLP

(57) **CLAIM**

The ornamental design for a bluetooth stereo clock radio with removable battery pack, as shown and described.

DESCRIPTION

FIG. 1 is a top, front, right side, perspective view of a blue- tooth stereo clock radio with removable battery pack showing my new design;

FIG. 2 is a front view thereof;

FIG. 3 is a rear view thereof;

FIG. 4 is a top plan view thereof;

FIG. 5 is a bottom plan view thereof;

FIG. 6 is a side view thereof, and the opposite side view being a mirror image thereof;

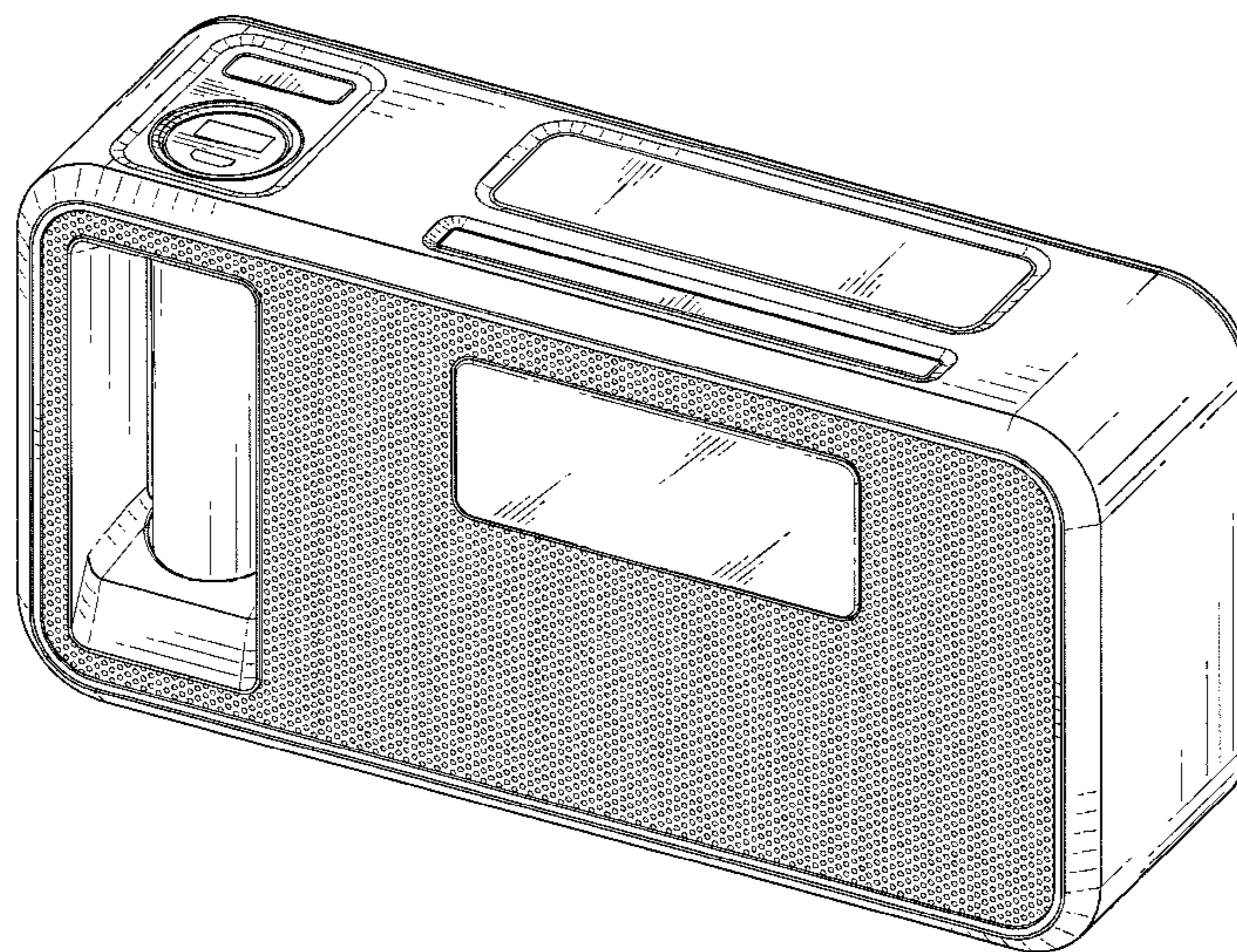
FIG. 7 is a cross-sectional view thereof along line 7-7 in FIG. 2;

FIG. 8 is a cross-sectional view thereof along line 8-8 in FIG. 2; and,

FIG. 9 is a cross-sectional view thereof along line 9-9 in FIG. 3.

The broken line portions show unclaimed subject matter only and form no part of the claimed design.

1 Claim, 9 Drawing Sheets



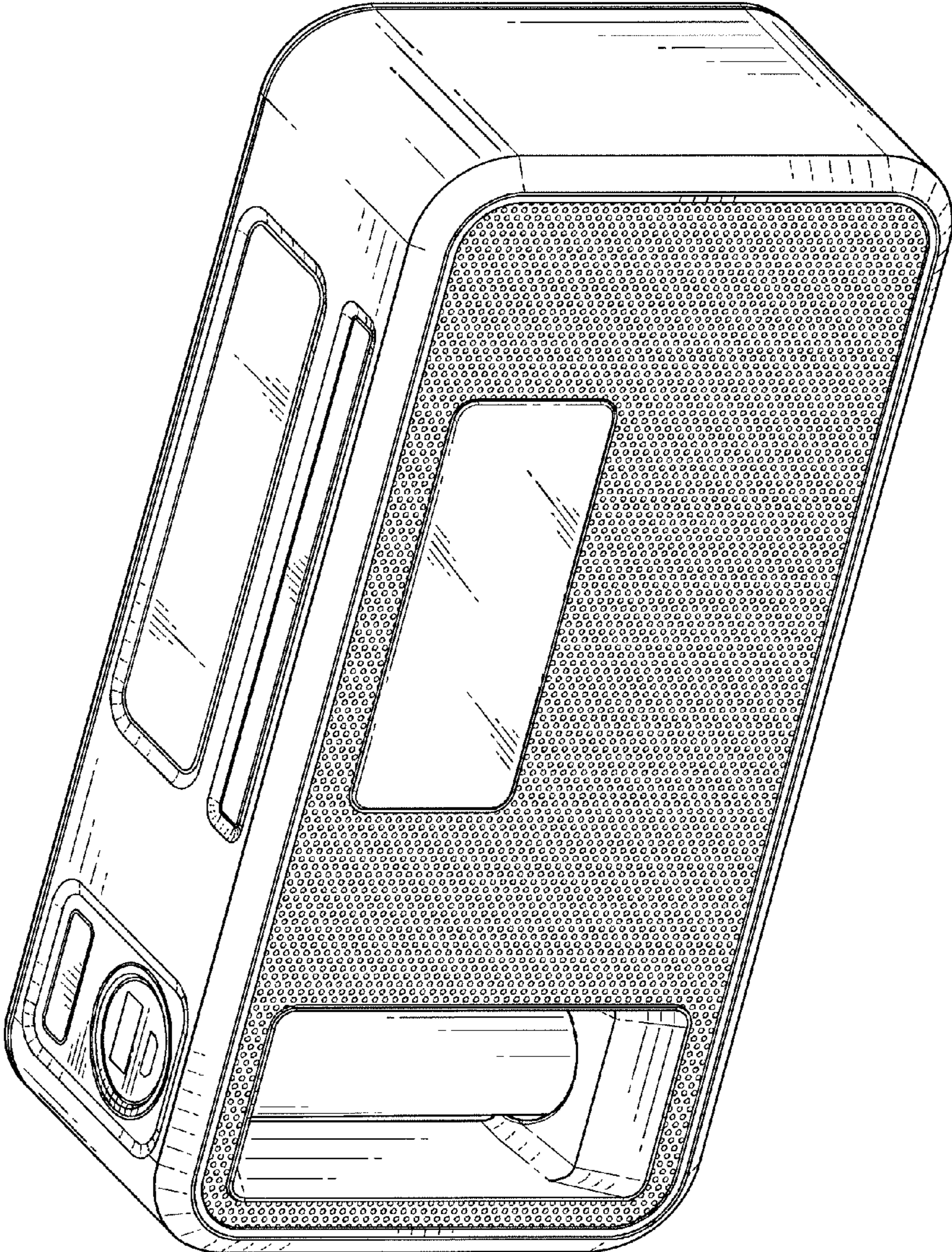


FIG.1

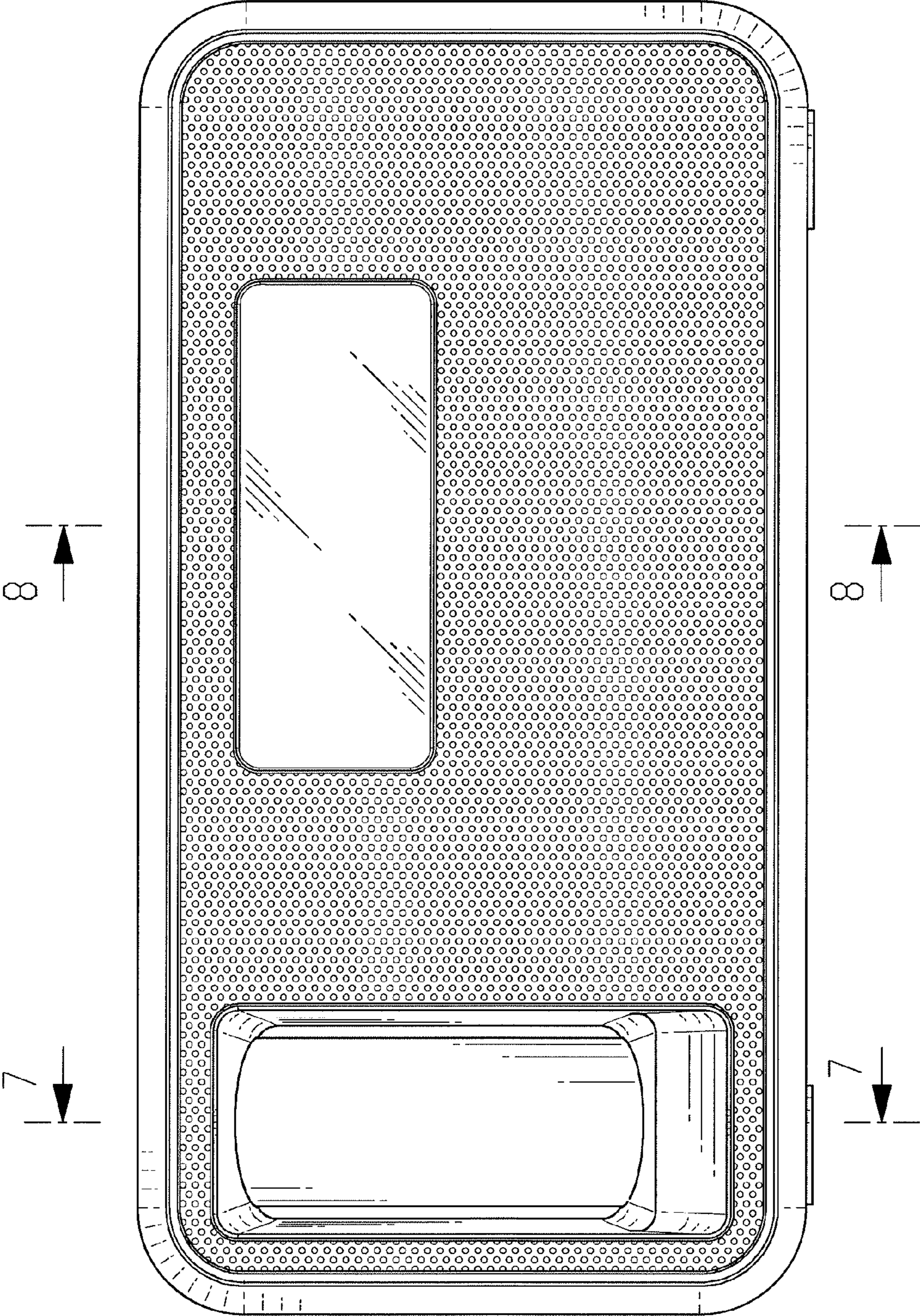


FIG. 2

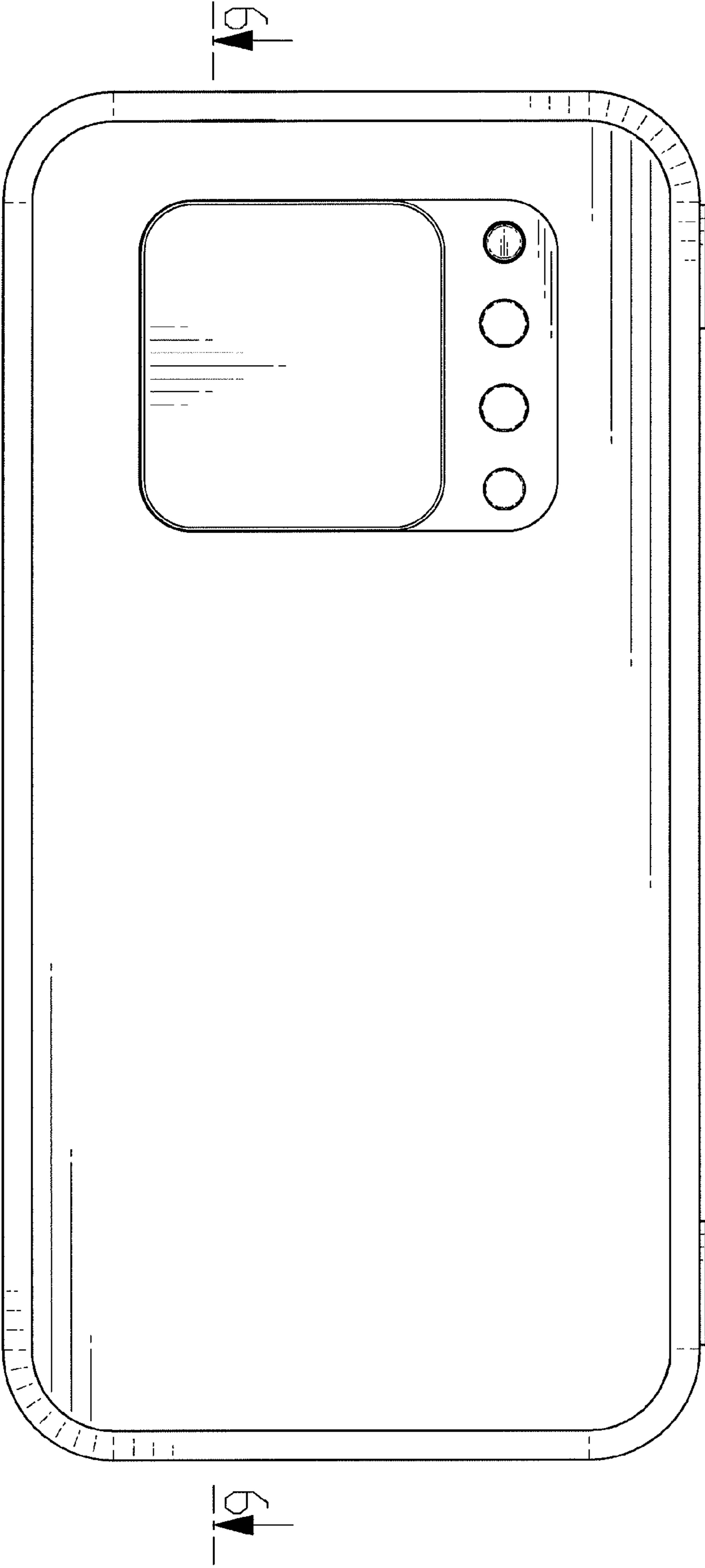


FIG. 3

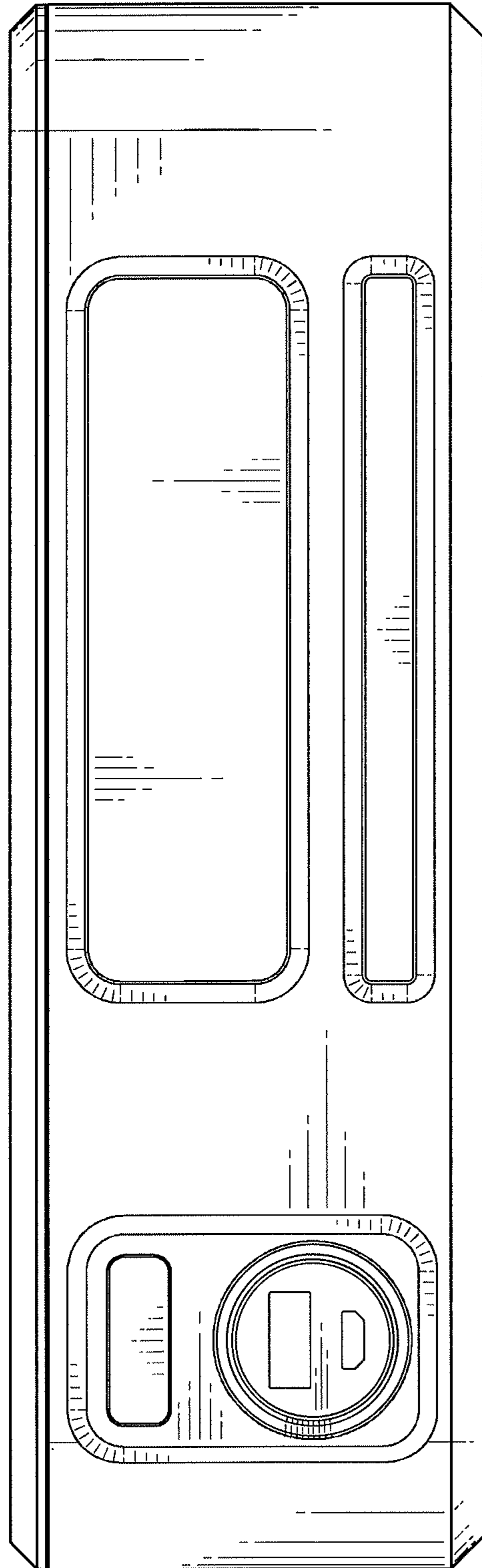


FIG. 4

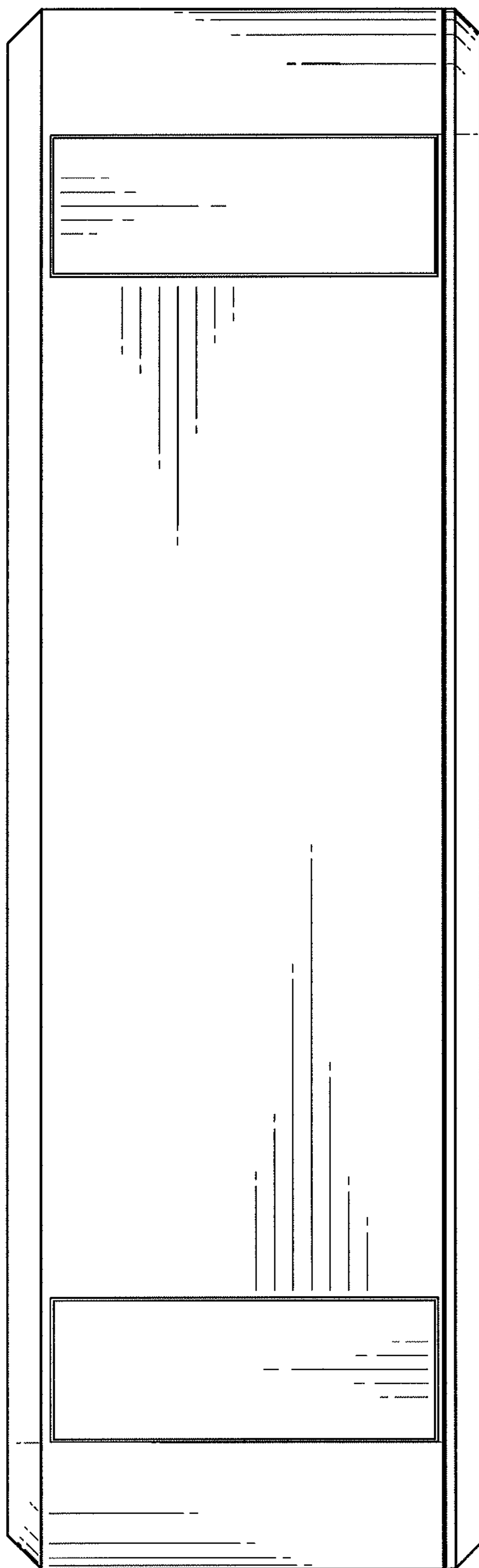


FIG. 5

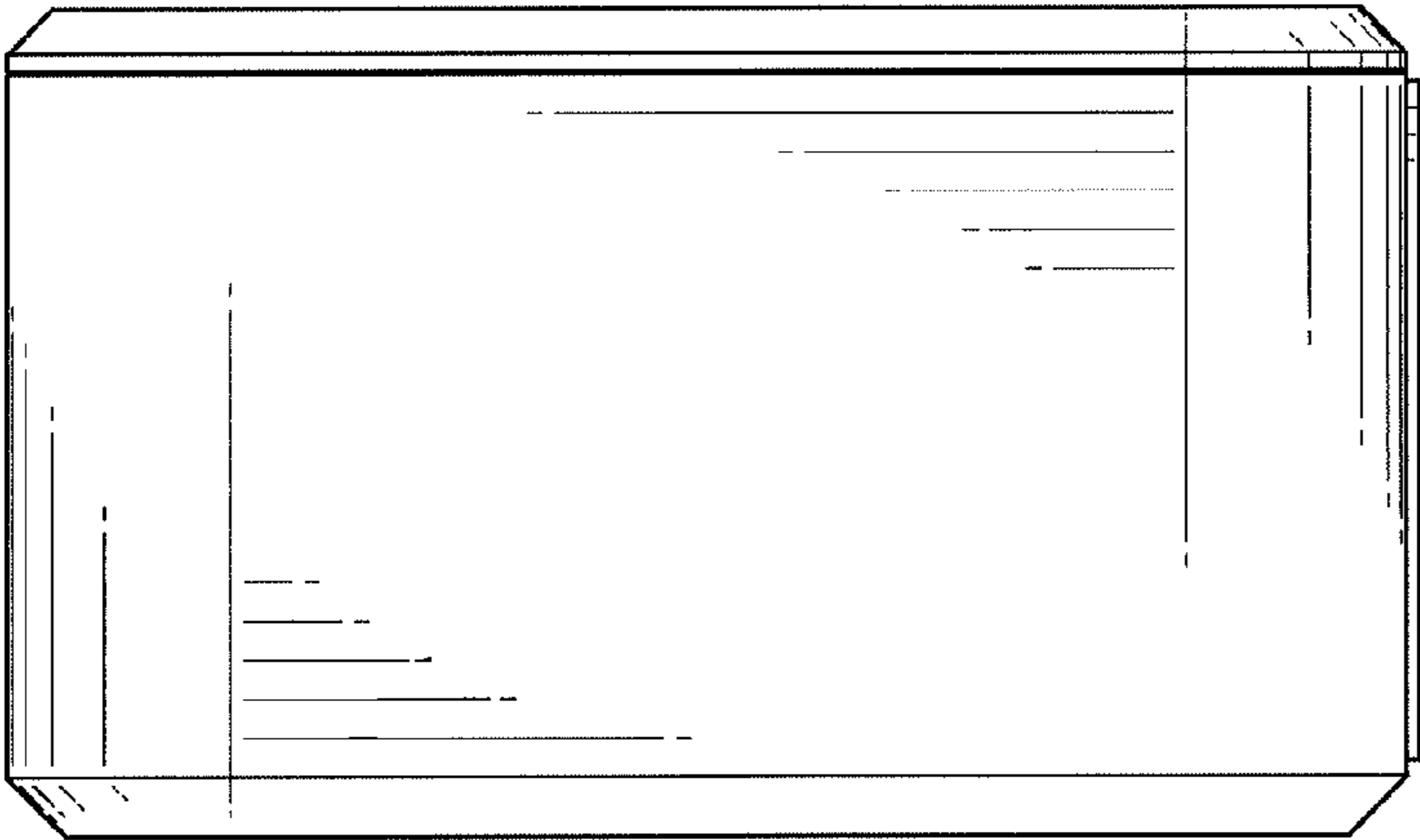


FIG. 6

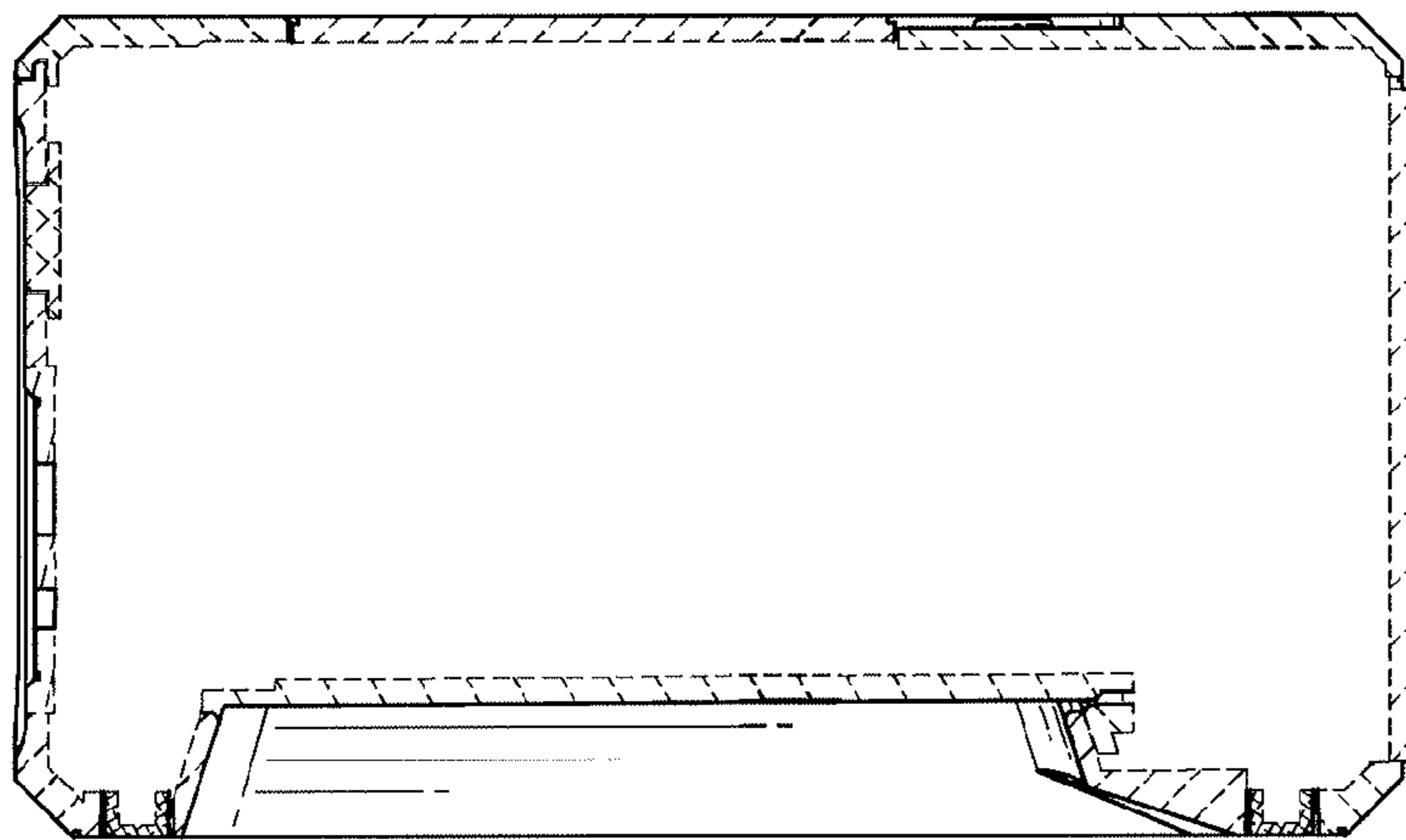


FIG. 7

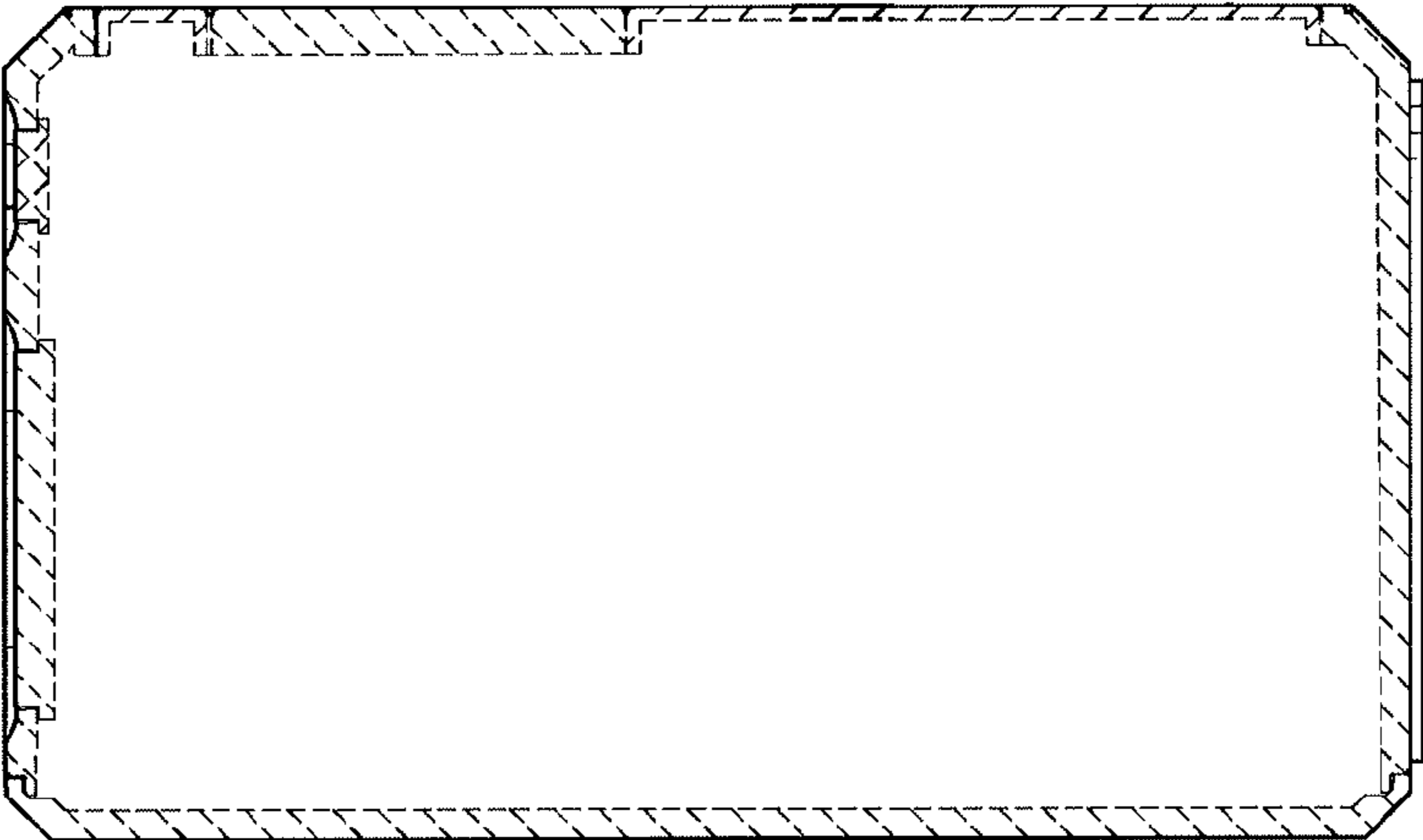


FIG. 8

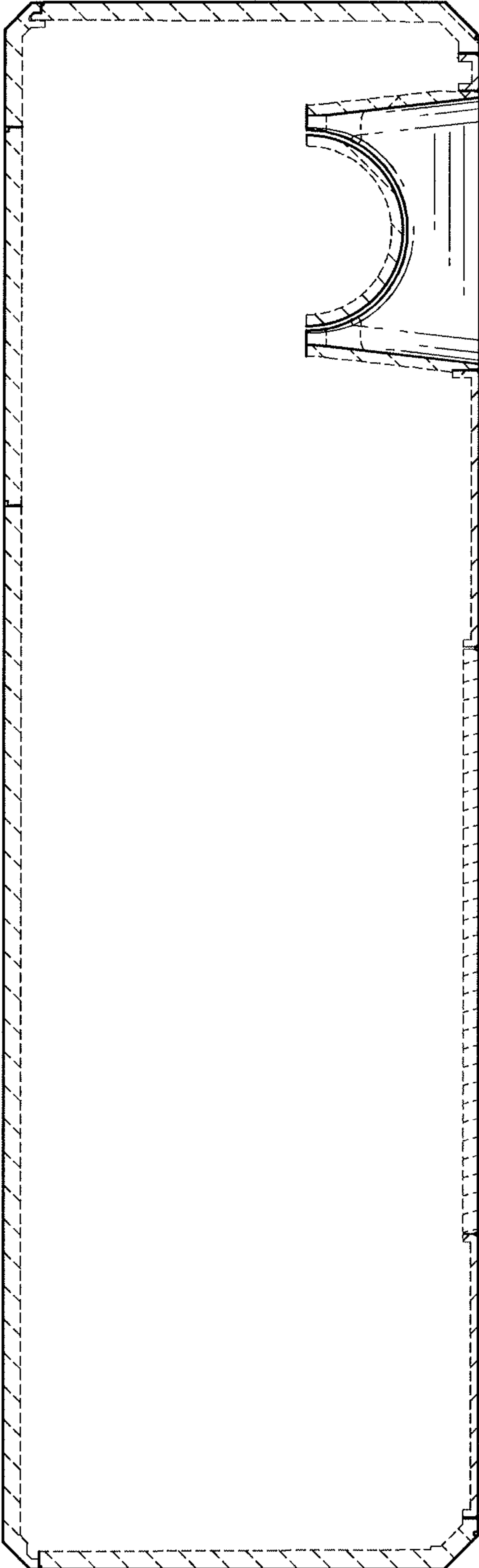


FIG. 9