



US00D761224S

(12) **United States Design Patent**
Khairudin et al.

(10) **Patent No.:** **US D761,224 S**

(45) **Date of Patent:** **** *Jul. 12, 2016**

(54) **HAND-HELD CONTROL HEAD**

(71) Applicant: **MOTOROLA SOLUTIONS, INC.**,
Schaumburg, IL (US)

(72) Inventors: **Khairul Anuar Khairudin**, Gelugor
(MY); **Jaihar Jailani Ismail**, Jonor
(MY); **Shirish Kaner**, Penang (MY);
Steven J Kerr, Penang (MY); **Toymuan
Yoong**, Georgetown (MY)

(73) Assignee: **MOTOROLA SOLUTIONS, INC.**,
Schaumburg, IL (US)

(*) Notice: This patent is subject to a terminal dis-
claimer.

(**) Term: **14 Years**

(21) Appl. No.: **29/494,915**

(22) Filed: **Jun. 25, 2014**

(51) **LOC (10) Cl.** **14-03**

(52) **U.S. Cl.**
USPC **D14/137**

(58) **Field of Classification Search**

USPC D13/168, 137, 225, 226
CPC G01S 5/0045; G01S 5/0054; G01S 5/02;
G01S 19/14; G06F 3/0338; H04B 1/38;
H04B 1/3805; H04B 1/3833; H04M 1/236;
H01Q 1/243

See application file for complete search history.

(56) **References Cited**

U.S. PATENT DOCUMENTS

D303,116 S * 8/1989 Richards D14/225
D321,692 S * 11/1991 Siddoway D14/225
D388,094 S * 12/1997 Tokiyama D14/204
5,918,189 A * 6/1999 Kivela H01Q 1/243
343/700 MS
6,871,144 B1 * 3/2005 Lee G01C 21/20
340/539.32
D540,765 S * 4/2007 Pritchard D14/137
D564,999 S * 3/2008 Richards D14/137
D566,075 S * 4/2008 Leng D14/137
D569,358 S * 5/2008 Devenish, III D14/137
D605,616 S * 12/2009 Scott D14/137
D616,844 S * 6/2010 Xia D14/137
D662,483 S * 6/2012 Kaner D14/137

9,065,901 B2 * 6/2015 Mackey H04M 1/233
D754,089 S * 4/2016 Yong D14/137
2004/0192372 A1 * 9/2004 Richards H04B 1/3805
455/550.1
2007/0142072 A1 * 6/2007 Lassally H04B 1/44
455/518
2008/0174478 A1 * 7/2008 Whiteside H05K 5/061
342/357.57
2008/0242375 A1 * 10/2008 Garcia H04B 1/3833
455/575.1
2009/0033552 A1 * 2/2009 Kirmuss G01C 21/20
342/357.75
2009/0197545 A1 * 8/2009 Gong H04B 1/3833
455/90.2
2010/0073224 A1 * 3/2010 Fan G01S 5/0045
342/357.52
2010/0117825 A1 * 5/2010 Boccacci H01Q 1/526
340/539.13
2010/0203849 A1 * 8/2010 Straub H04B 1/38
455/90.2
2011/0281533 A1 * 11/2011 Deleus G06F 3/0338
455/90.2
2013/0079028 A1 * 3/2013 Klein G08G 1/207
455/456.1
2014/0099905 A1 * 4/2014 Jimenez H04M 1/0256
455/90.2

OTHER PUBLICATIONS

“The First to Respond. The Last to Go Home.”—Motorola APX™
Mobile Radios—Safety Redefined—Copyright 2012—8 pages.

* cited by examiner

Primary Examiner — Selina Sikder

(74) *Attorney, Agent, or Firm* — Barbara R. Doutre

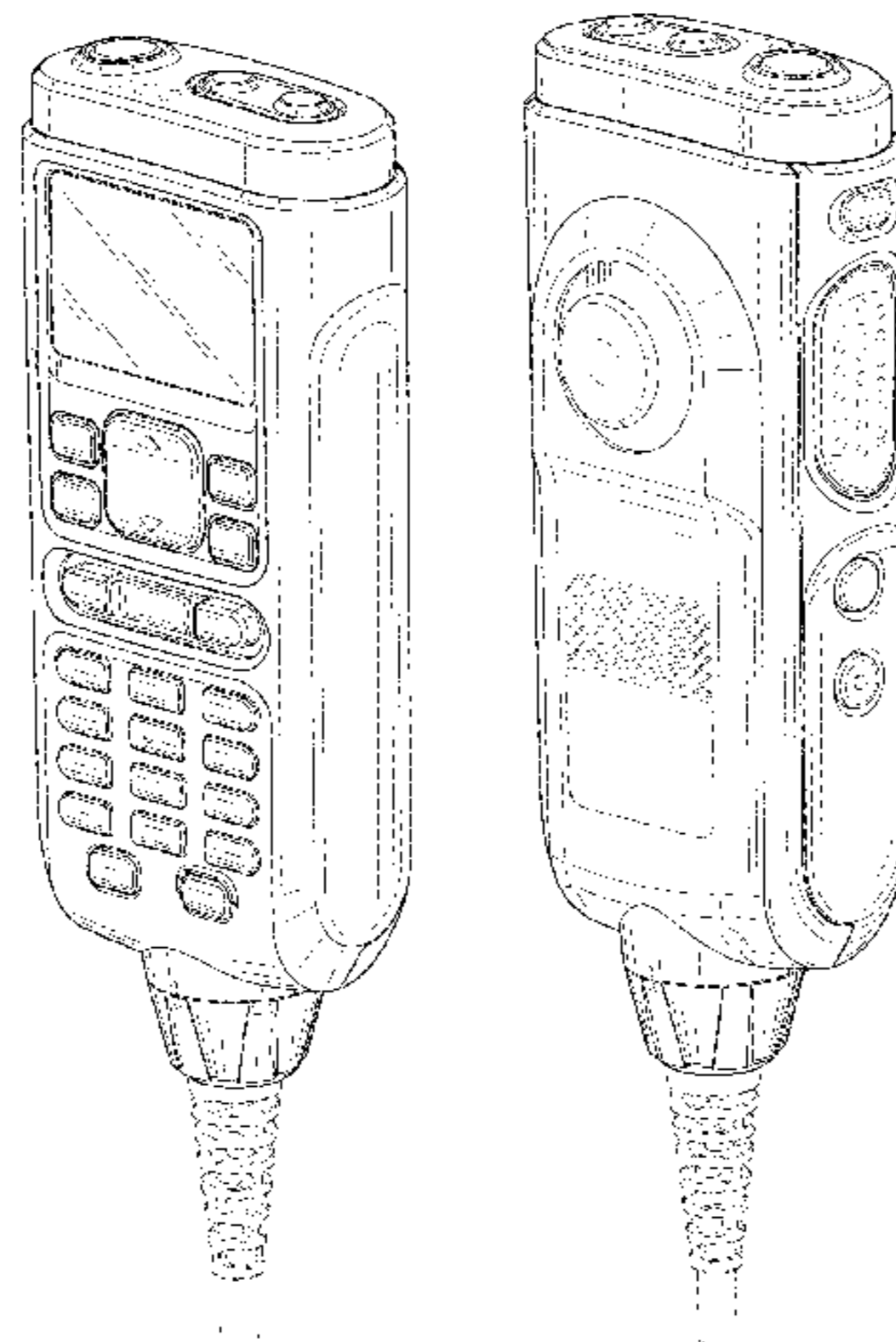
(57) **CLAIM**

The ornamental design for a hand-held control head, as
shown and described.

DESCRIPTION

FIG. 1 is a front perspective view of an ornamental design for
a hand-held control head;
FIG. 2 is a rear perspective view thereof;
FIG. 3 is a front view thereof;
FIG. 4 is a back side view thereof;
FIG. 5 is a first side view thereof;
FIG. 6 is a second side view thereof;
FIG. 7 is a top view thereof; and,
FIG. 8 is a bottom view thereof.
Broken lines and unshaded portions contained within broken
lines are not claimed.

1 Claim, 6 Drawing Sheets



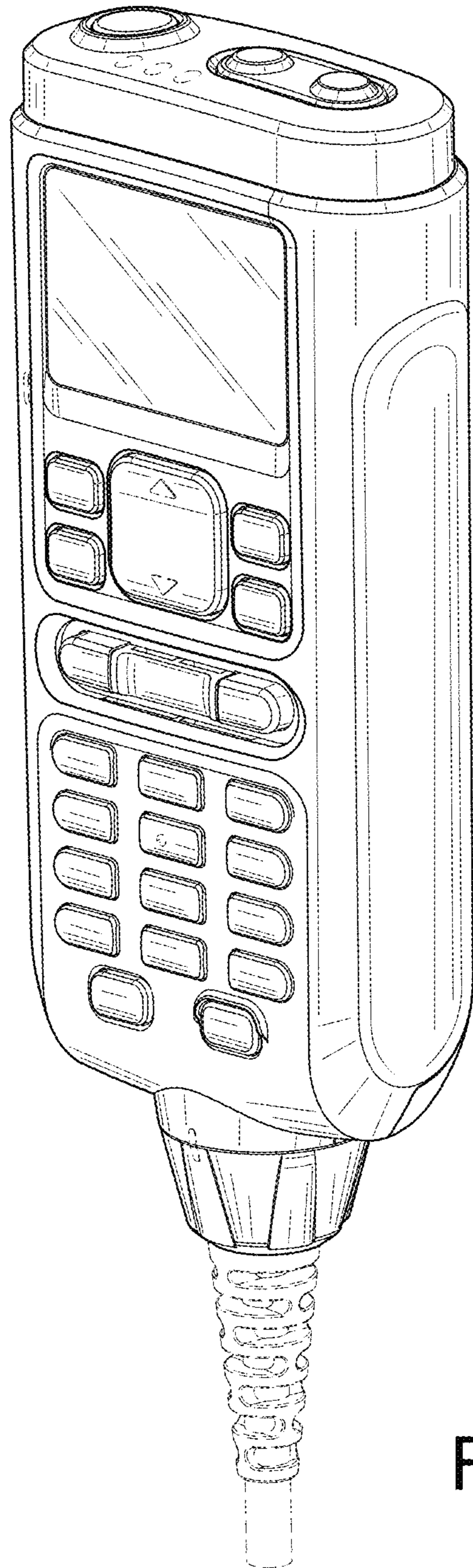


FIG. 1

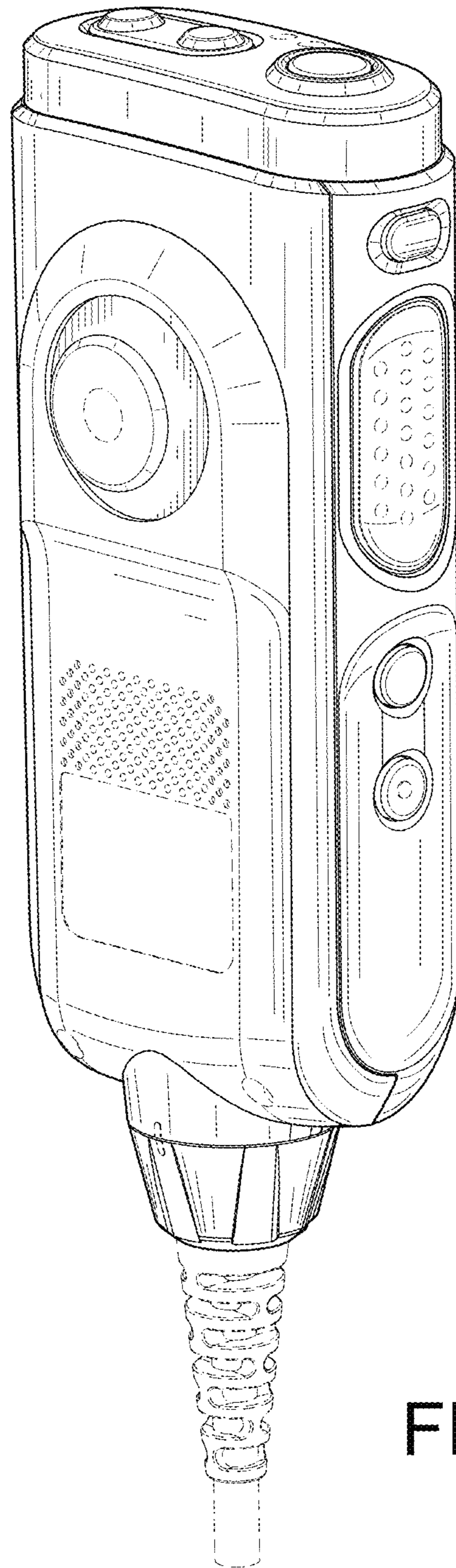


FIG. 2

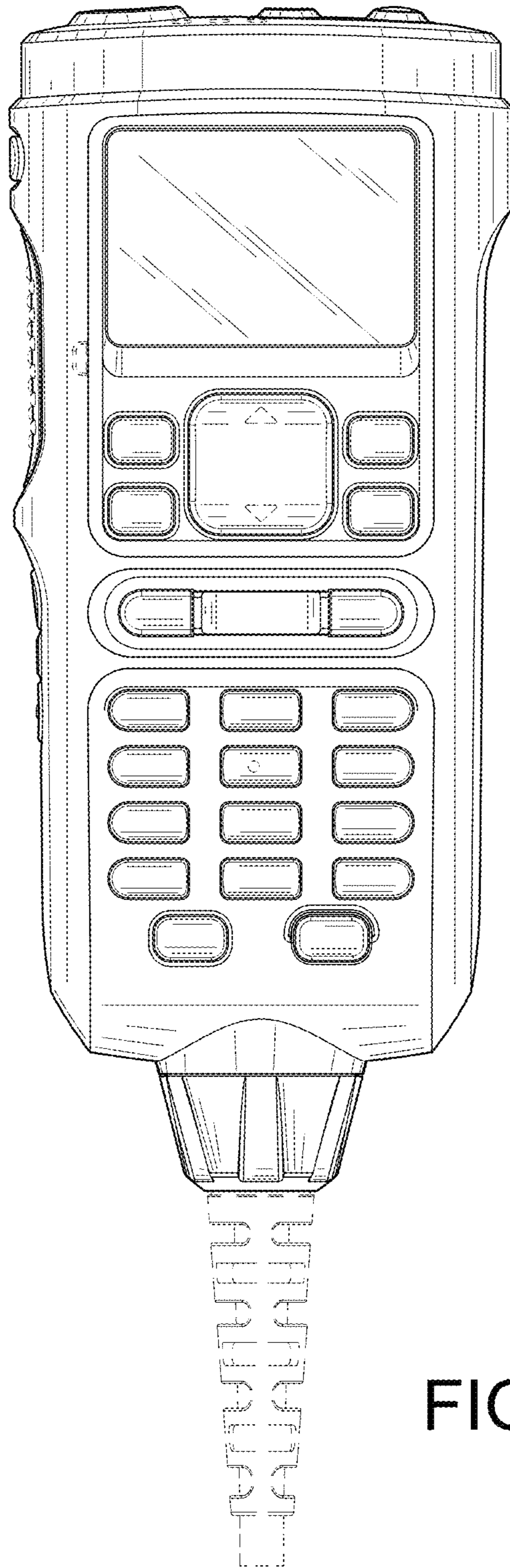


FIG. 3

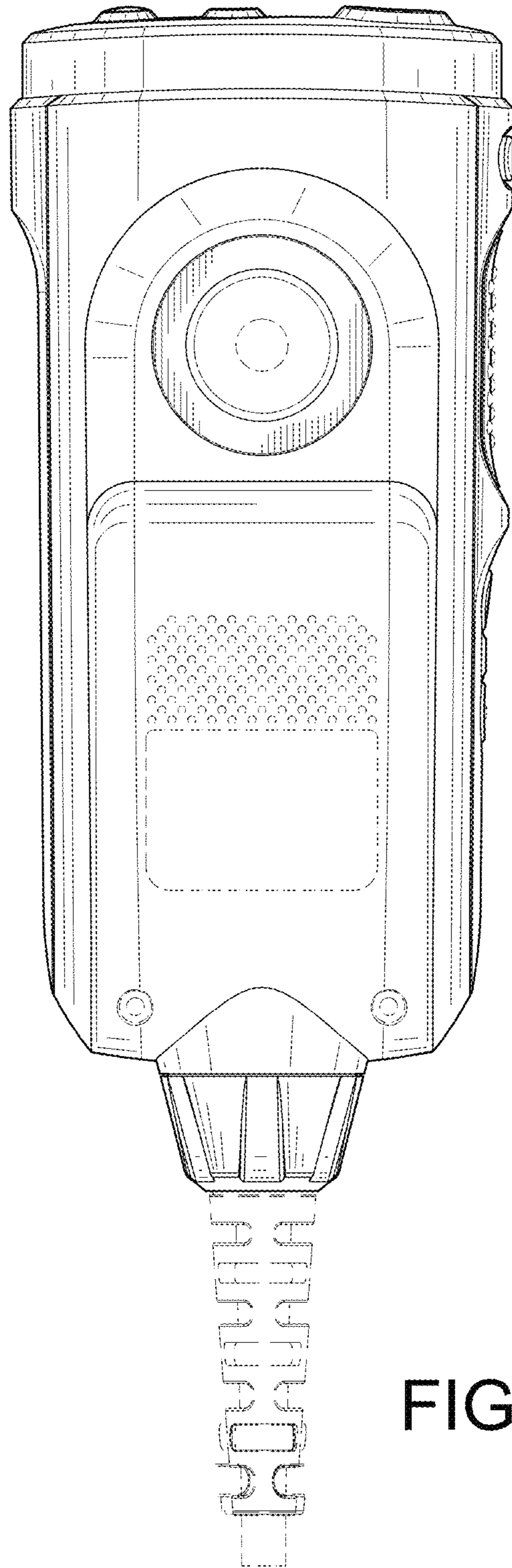


FIG. 4

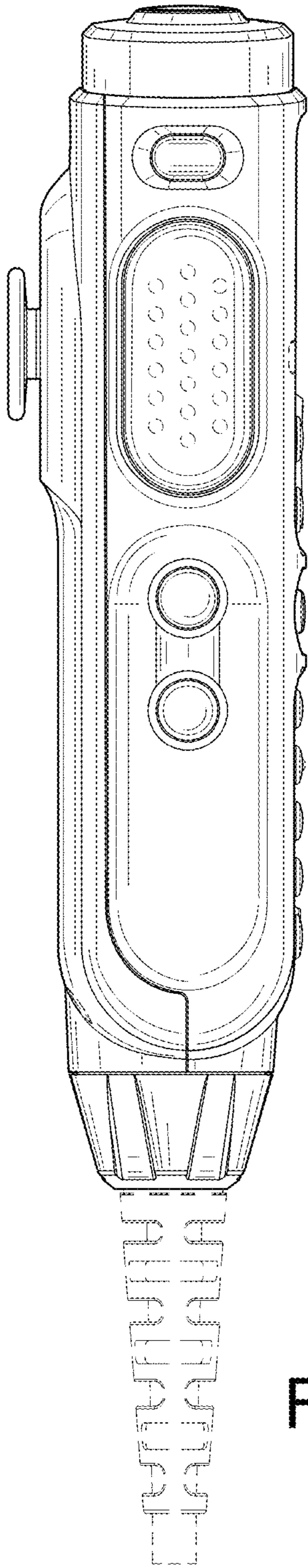


FIG. 5

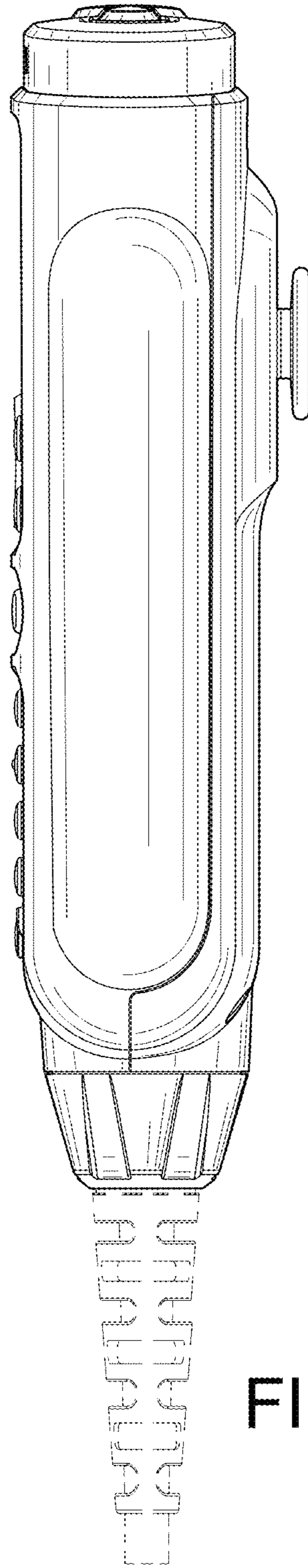


FIG. 6

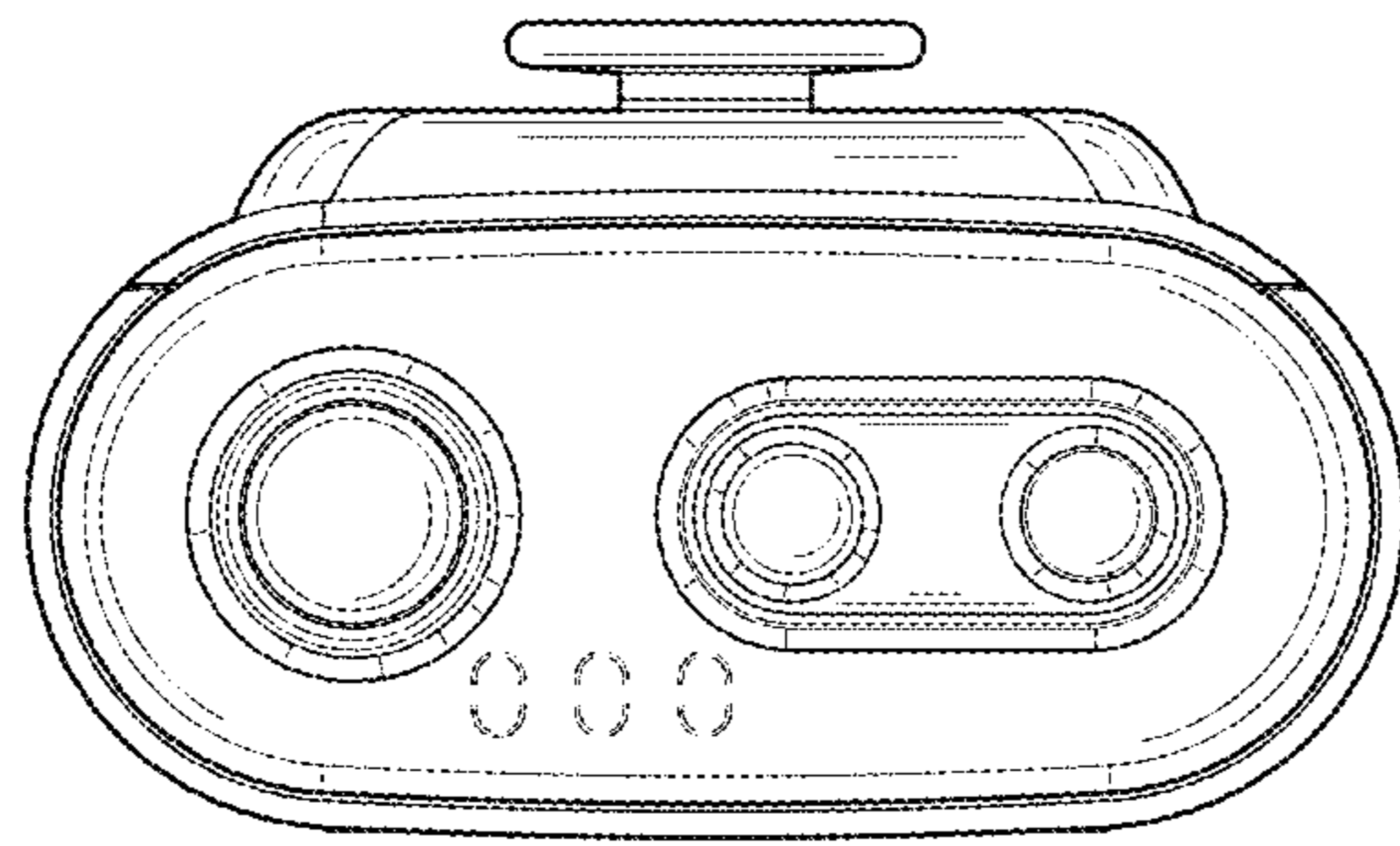


FIG. 7

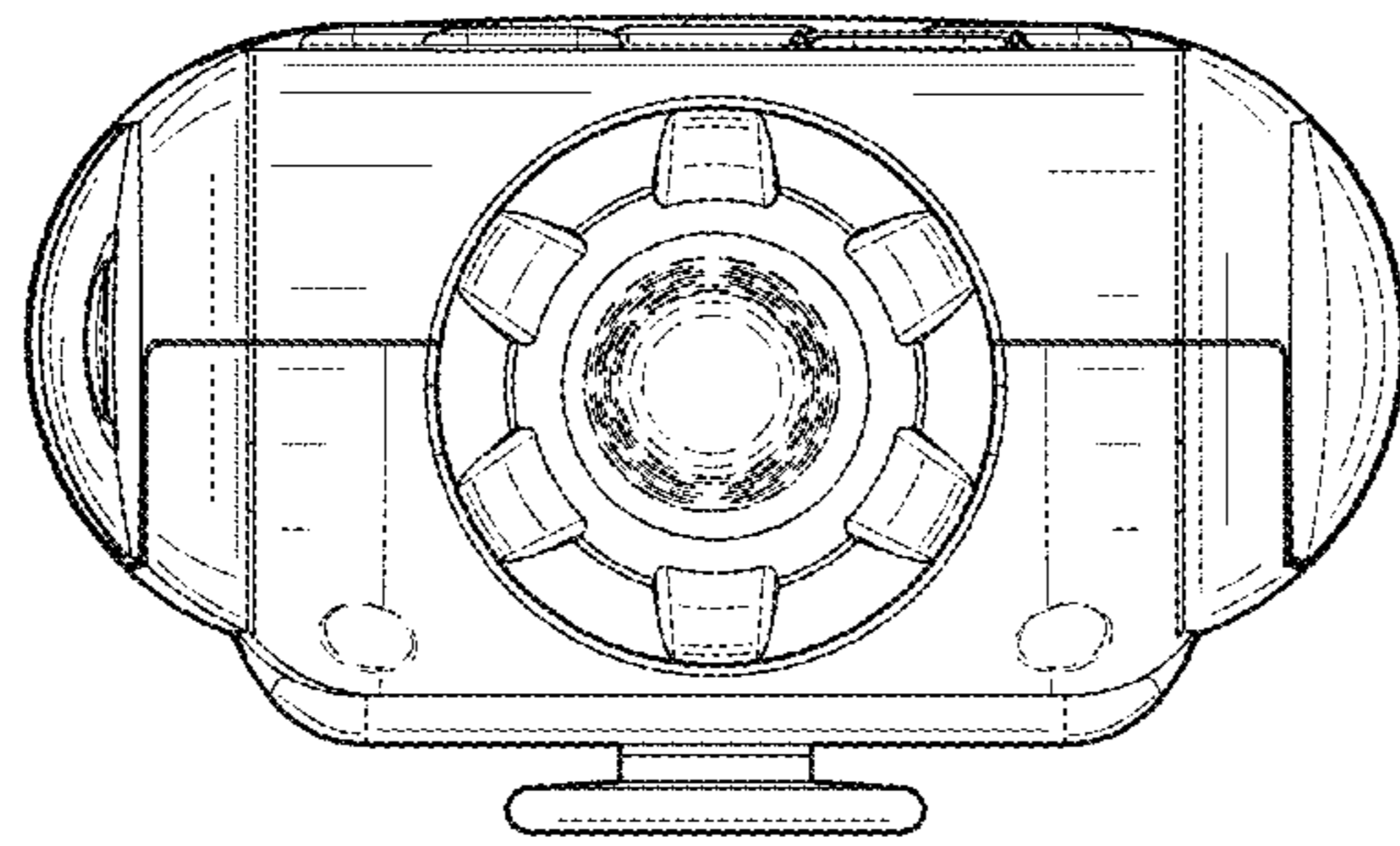


FIG. 8