

US00D761223S

(12) **United States Design Patent**  
**Oikawa**

(10) **Patent No.:** **US D761,223 S**  
(45) **Date of Patent:** **\*\* Jul. 12, 2016**

- (54) **COMMUNICATION DEVICE**
- (71) Applicant: **JVC KENWOOD Corporation**,  
Yokohama-shi, Kanagawa (JP)
- (72) Inventor: **Miki Oikawa**, Yokohama (JP)
- (73) Assignee: **JVC KENWOOD CORPORATION**,  
Yokohama-Shi, Kanagawa (JP)
- (\*\*) Term: **14 Years**
- (21) Appl. No.: **29/486,347**
- (22) Filed: **Mar. 28, 2014**
- (30) **Foreign Application Priority Data**  
Feb. 12, 2014 (JP) ..... 2014-002737
- (51) **LOC (10) Cl.** ..... **14-03**
- (52) **U.S. Cl.**  
USPC ..... **D14/137**
- (58) **Field of Classification Search**  
USPC ..... D14/137, 188; 312/7.1; 455/90.2  
CPC ..... H04B 1/3833; H04M 1/236  
See application file for complete search history.

- D490,786 S \* 6/2004 Richards ..... D14/137
- D526,993 S \* 8/2006 Richards ..... D14/188
- D540,290 S \* 4/2007 Haase ..... D14/137
- D540,764 S \* 4/2007 Kaner ..... D14/137
- D564,997 S \* 3/2008 Tran ..... D14/137
- D576,125 S \* 9/2008 Nishizawa ..... D14/137
- D577,700 S \* 9/2008 Akita ..... D14/137
- D607,855 S \* 1/2010 Nakagawa ..... D14/137

(Continued)

**FOREIGN PATENT DOCUMENTS**

- CN 300715811 \* 12/2007
- CN 302054245 \* 9/2011

**OTHER PUBLICATIONS**

SAI Taps DAPage to Bridge Communication Between Synergy:  
Announced Oct. 9, 2012: [ Site Visited Nov. 9, 2015 ] [http://www.hotel-online.com/News/PR2012\\_4th/Oct12\\_SAIDAPage.html](http://www.hotel-online.com/News/PR2012_4th/Oct12_SAIDAPage.html).\*

*Primary Examiner* — John Windmuller  
*Assistant Examiner* — Luqman McNeil  
(74) *Attorney, Agent, or Firm* — Nath, Goldberg & Meyer;  
Jerald L. Meyer

(57) **CLAIM**  
The ornamental design for a communication device, as shown and described.

**DESCRIPTION**

FIG. 1 is a perspective view showing my new design;  
FIG. 2 is a front view thereof;  
FIG. 3 is a rear view thereof;  
FIG. 4 is a left side view thereof;  
FIG. 5 is a right side view thereof;  
FIG. 6 is a top plan view thereof; and,  
FIG. 7 is a bottom plan view thereof.  
The broken lines shown are included for the purpose of illustrating the unclaimed portions of the article and form no part of the claim.

**1 Claim, 4 Drawing Sheets**

- (56) **References Cited**  
**U.S. PATENT DOCUMENTS**  
3,345,568 A \* 10/1967 Errichiello ..... H04B 1/3833  
312/7.1  
D245,079 S \* 7/1977 Judd ..... D14/137  
D302,687 S \* 8/1989 Claxton ..... D14/137  
D309,136 S \* 7/1990 Siddoway ..... D14/137  
D380,749 S \* 7/1997 Richards ..... D14/137  
D384,345 S \* 9/1997 Lindeman ..... D14/137  
D393,638 S \* 4/1998 Page ..... D14/137  
D406,833 S \* 3/1999 Page ..... D14/137  
D408,811 S \* 4/1999 Page ..... D14/137  
D441,743 S \* 5/2001 Uehara ..... D14/125  
D456,790 S \* 5/2002 Cebe ..... D14/137  
D490,064 S \* 5/2004 Yi ..... D14/137



(56)

**References Cited**

U.S. PATENT DOCUMENTS

D608,747 S *	1/2010	Nakagawa	.....	D14/137	D653,637 S *	2/2012	Ismail	.....	D14/137
D616,845 S *	6/2010	Xia	.....	D14/137	D654,035 S *	2/2012	Ismail	.....	D14/137
D651,997 S *	1/2012	Oikawa	.....	D14/137	D662,482 S *	6/2012	Kaner	.....	D14/137
D652,400 S *	1/2012	Oikawa	.....	D14/137	D662,483 S *	6/2012	Kaner	.....	D14/137
					D663,277 S *	7/2012	Yong	.....	D14/137
					2009/0197545 A1 *	8/2009	Gong	.....	H04M 1/236 455/90.2

\* cited by examiner

Fig. 1

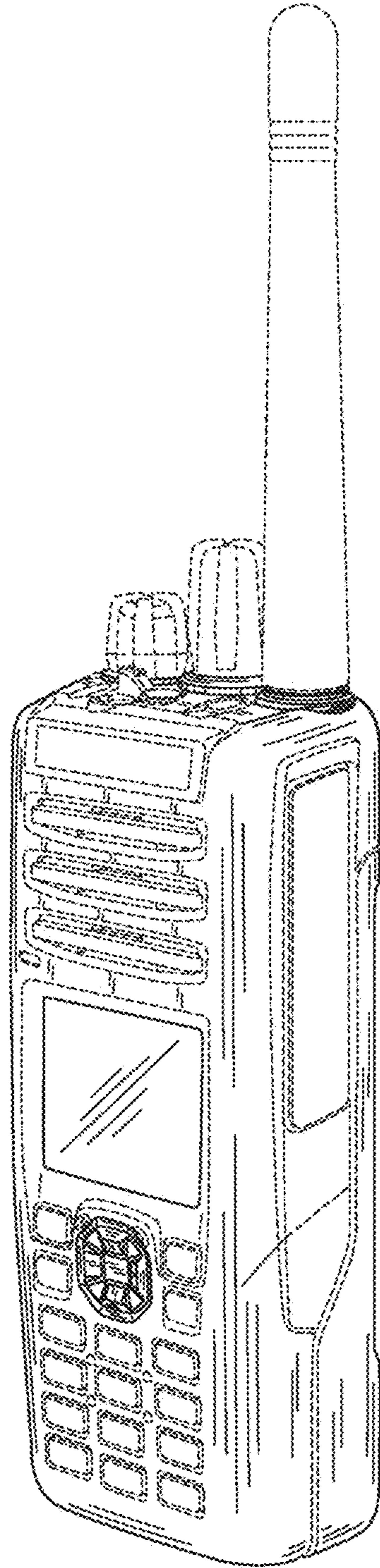


Fig. 2

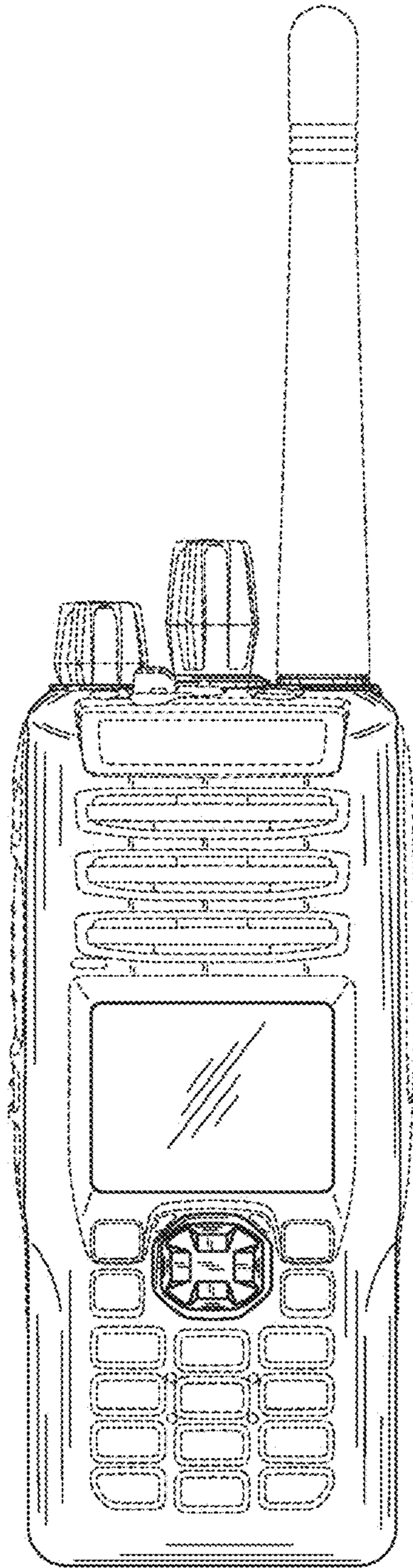


Fig. 3

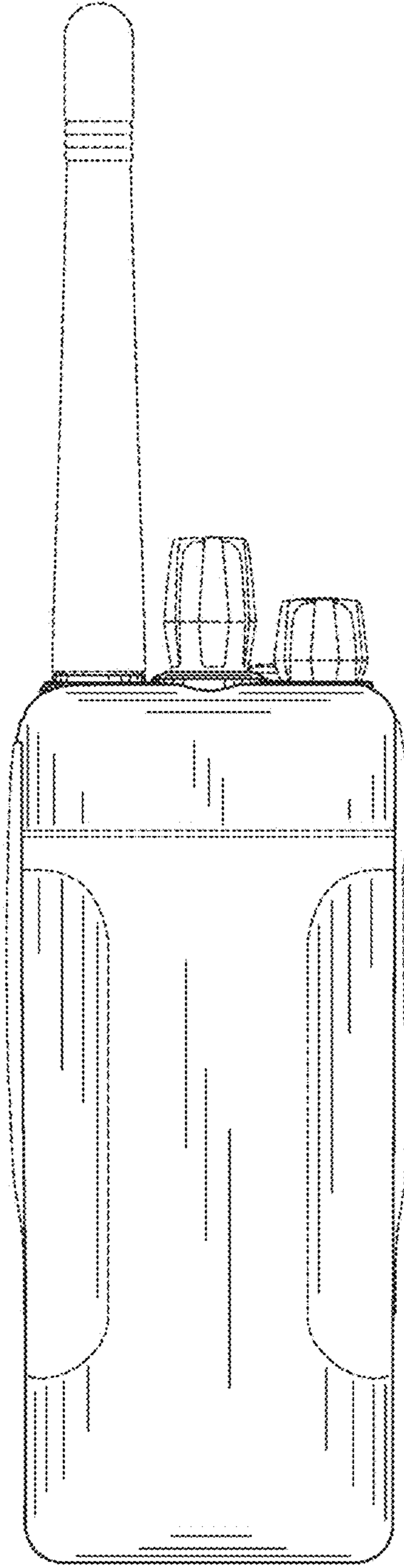


Fig. 4

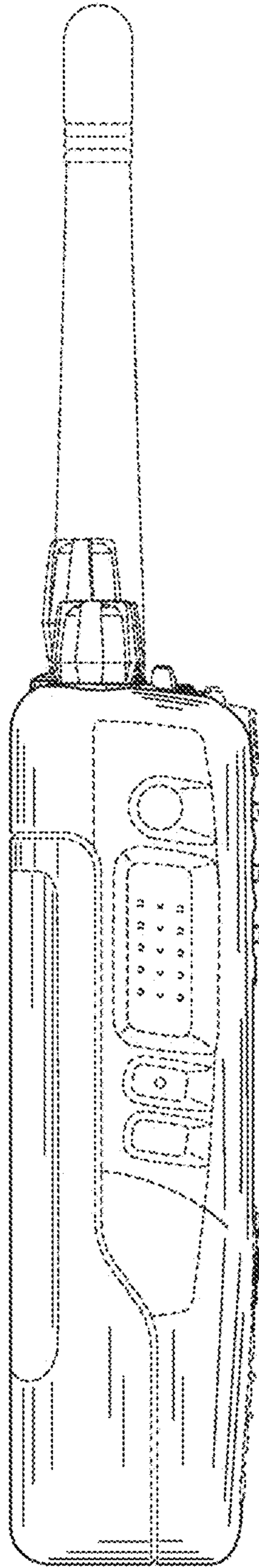


Fig. 5

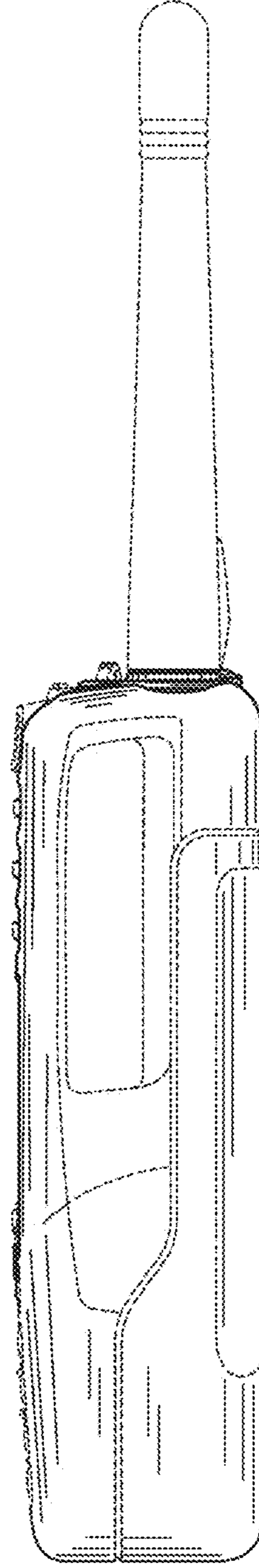


Fig. 6

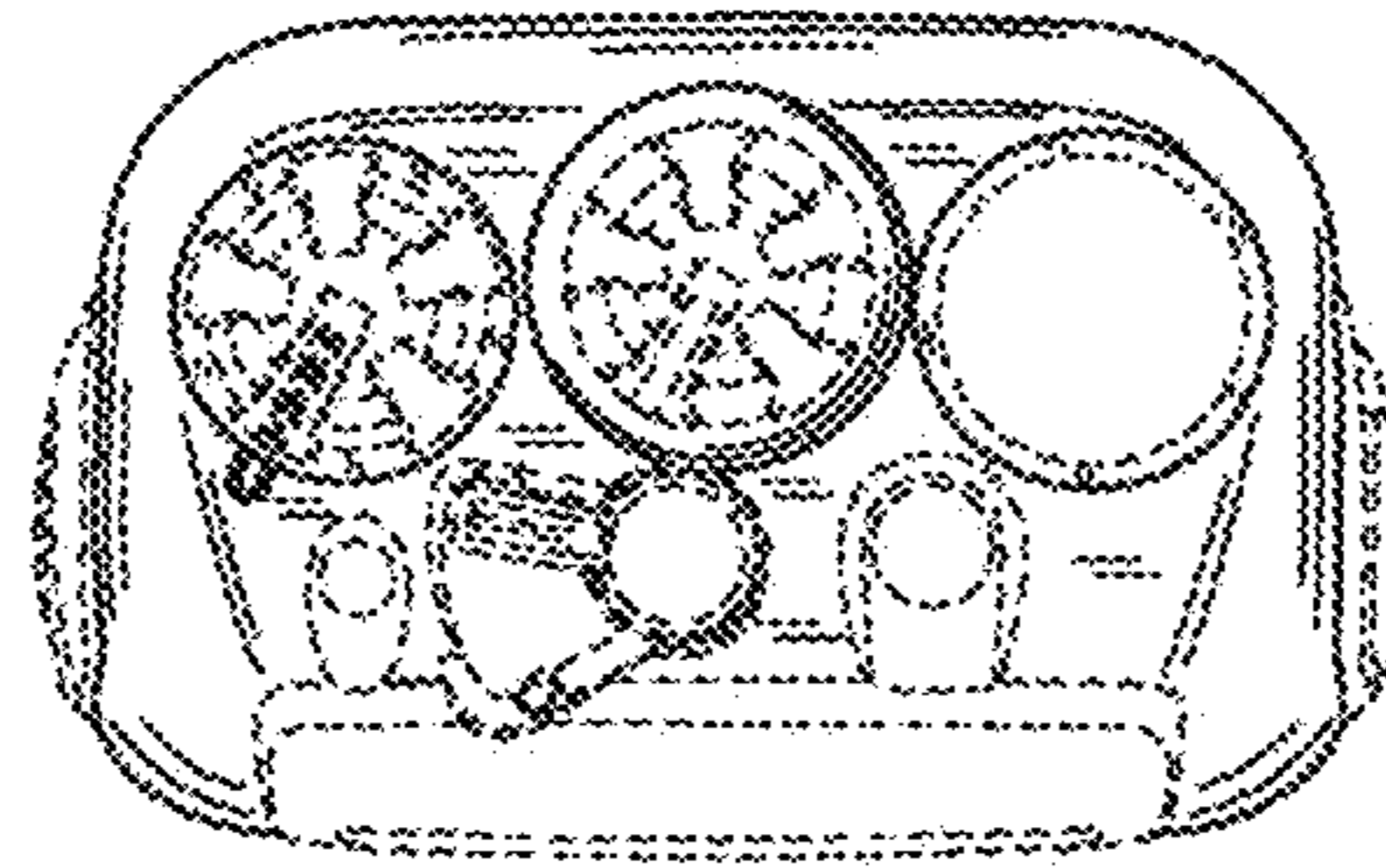


Fig. 7

