



US00D761218S

(12) **United States Design Patent**  
**Kim et al.**

(10) **Patent No.:** **US D761,218 S**  
(45) **Date of Patent:** **\*\* Jul. 12, 2016**

(54) **TELEVISION**

(71) Applicant: **Samsung Electronics Co., Ltd.**,  
Suwon-si, Gyeonggi-do (KR)

(72) Inventors: **Eun Ah Kim**, Seoul (KR); **Danbi Kang**,  
Seoul (KR)

(73) Assignee: **Samsung Electronics Co., Ltd.**,  
Suwon-Si (KR)

(\*\*) Term: **14 Years**

(21) Appl. No.: **29/518,683**

(22) Filed: **Feb. 26, 2015**

(30) **Foreign Application Priority Data**

Aug. 26, 2014 (KR) ..... 30-2014-0041613

(51) **LOC (10) Cl.** ..... **14-03**

(52) **U.S. Cl.**  
USPC ..... **D14/126**

(58) **Field of Classification Search**  
USPC ..... D14/125-134, 239, 371, 136, 374-377,  
D14/440, 450, 448, 336, 342, 159; 312/7.2;  
348/836, 838, 180, 184, 325, 739;  
248/917-924, 465; 345/104, 133, 156,  
345/168, 87, 173; D21/329, 515, 577, 622,  
D21/333, 433, 448, 452, 450, 331, 505;  
D10/15, 26; 446/484, 175, 356;  
D6/477, 479, 300; D20/10, 19, 39  
CPC ... G06F 1/1601; G06F 1/1643; H05K 5/0004;  
H05K 5/0017; H05K 5/02; H05K 5/0217;  
H04M 13/0459

See application file for complete search history.

(56) **References Cited**

U.S. PATENT DOCUMENTS

D661,269	S	*	6/2012	Lee	.....	D14/126
D678,853	S	*	3/2013	Kim	.....	D14/126
D686,585	S	*	7/2013	Yoon	.....	D14/126
D691,977	S	*	10/2013	Lee	.....	D14/126
D705,185	S	*	5/2014	Jeon	.....	D14/126
D719,538	S	*	12/2014	Lee	.....	D14/126
D727,863	S	*	4/2015	Sung	.....	D14/126
D734,283	S	*	7/2015	Mitsui	.....	D14/126
D745,481	S	*	12/2015	Kim	.....	D14/126

\* cited by examiner

*Primary Examiner* — Raphael Barkai

(74) *Attorney, Agent, or Firm* — Ladas & Parry LLP

(57) **CLAIM**

We claim the ornamental design for television, as shown and described.

**DESCRIPTION**

FIG. 1 is the front perspective view of television showing our new design;

FIG. 2 is the front view thereof;

FIG. 3 is the rear view thereof;

FIG. 4 is the left-side view thereof;

FIG. 5 is the right-side view thereof;

FIG. 6 is the top plan view thereof;

FIG. 7 is the bottom plan view thereof;

FIG. 8 is the rear perspective view thereof;

FIG. 9 is another front perspective view thereof, as shown in an alternate configuration; and,

FIG. 10 is the rear perspective view of FIG. 9.

The broken lines in the drawing show unclaimed environment only and form no part of the claimed design.

**1 Claim, 10 Drawing Sheets**

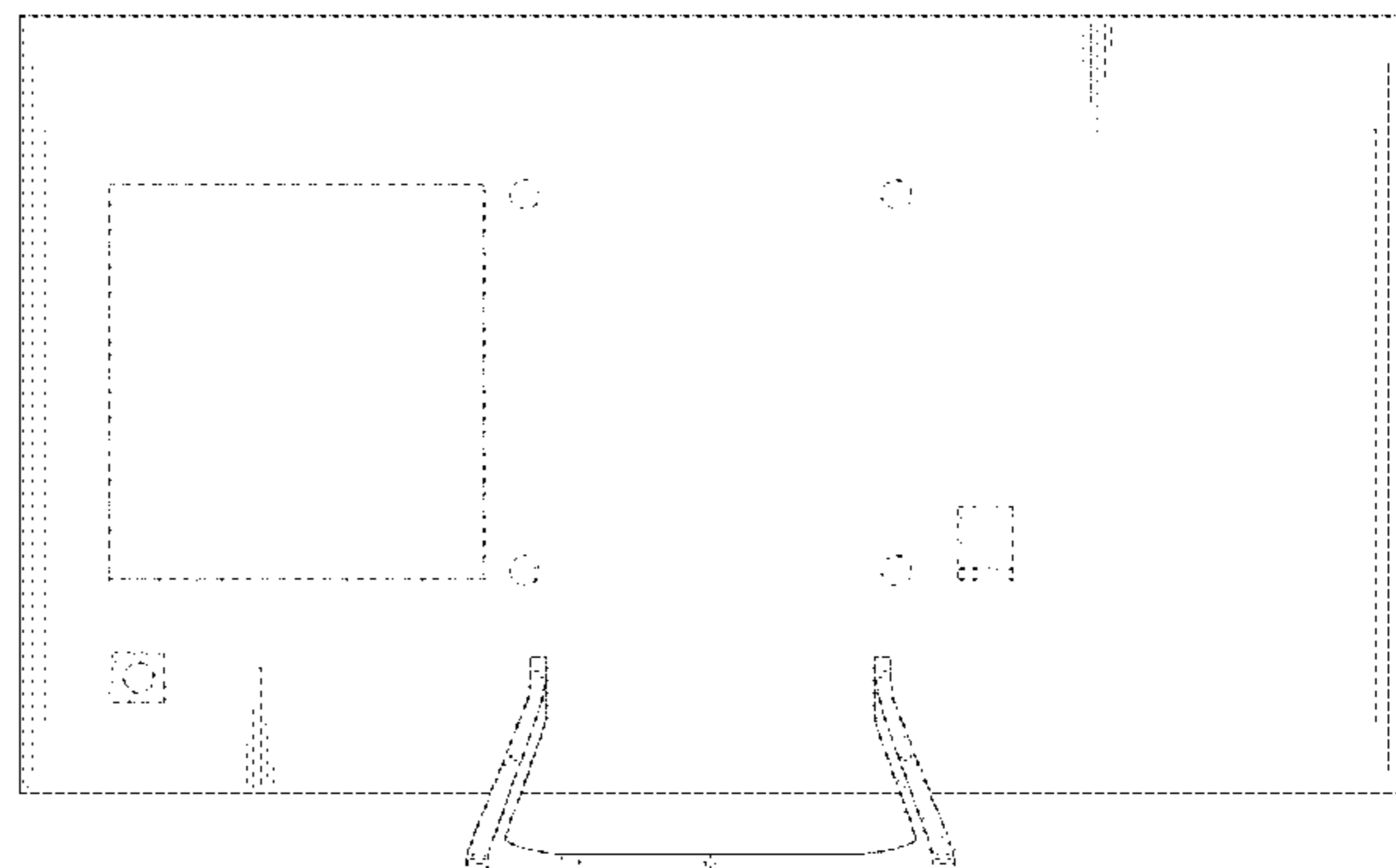
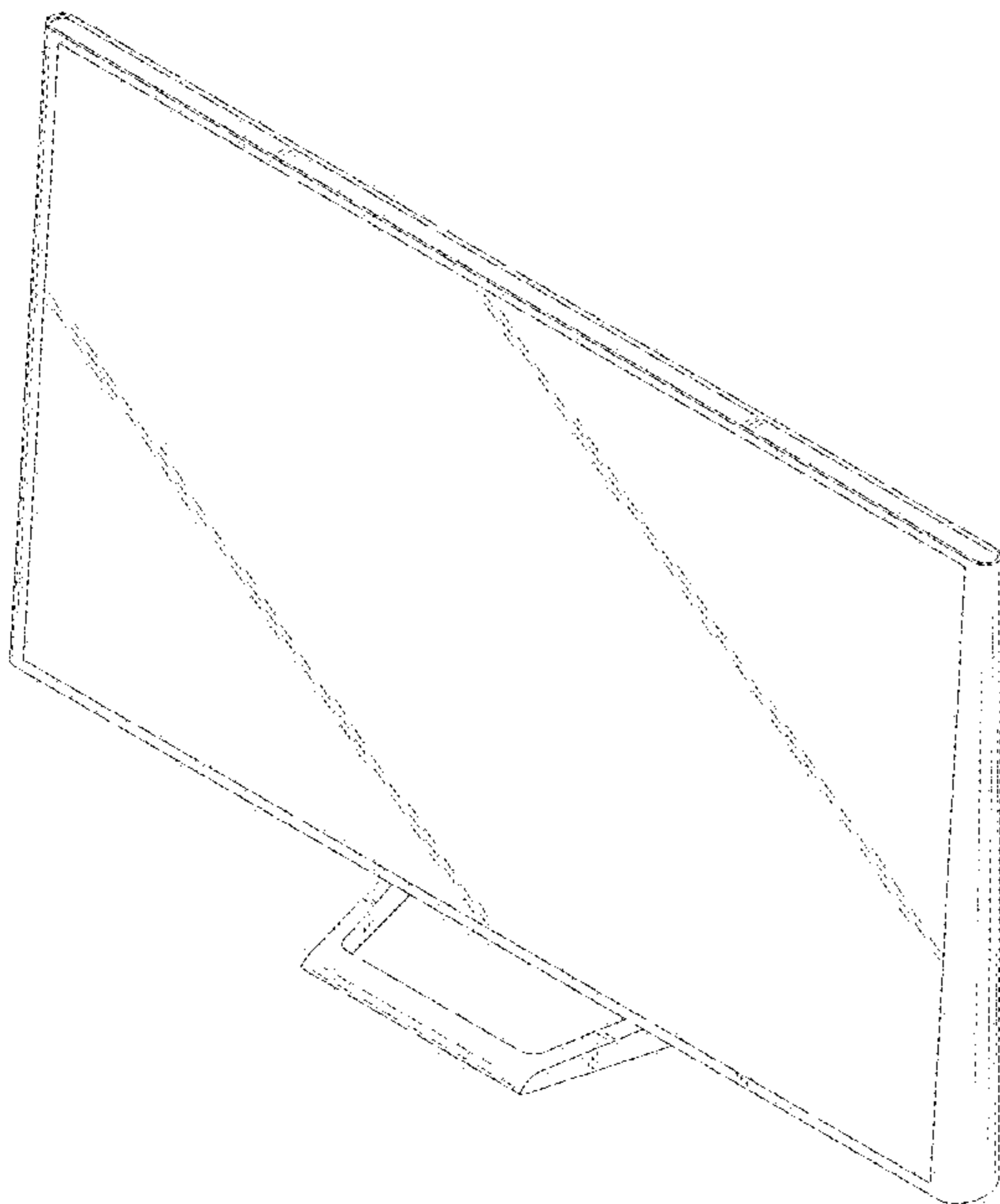


Fig. 1

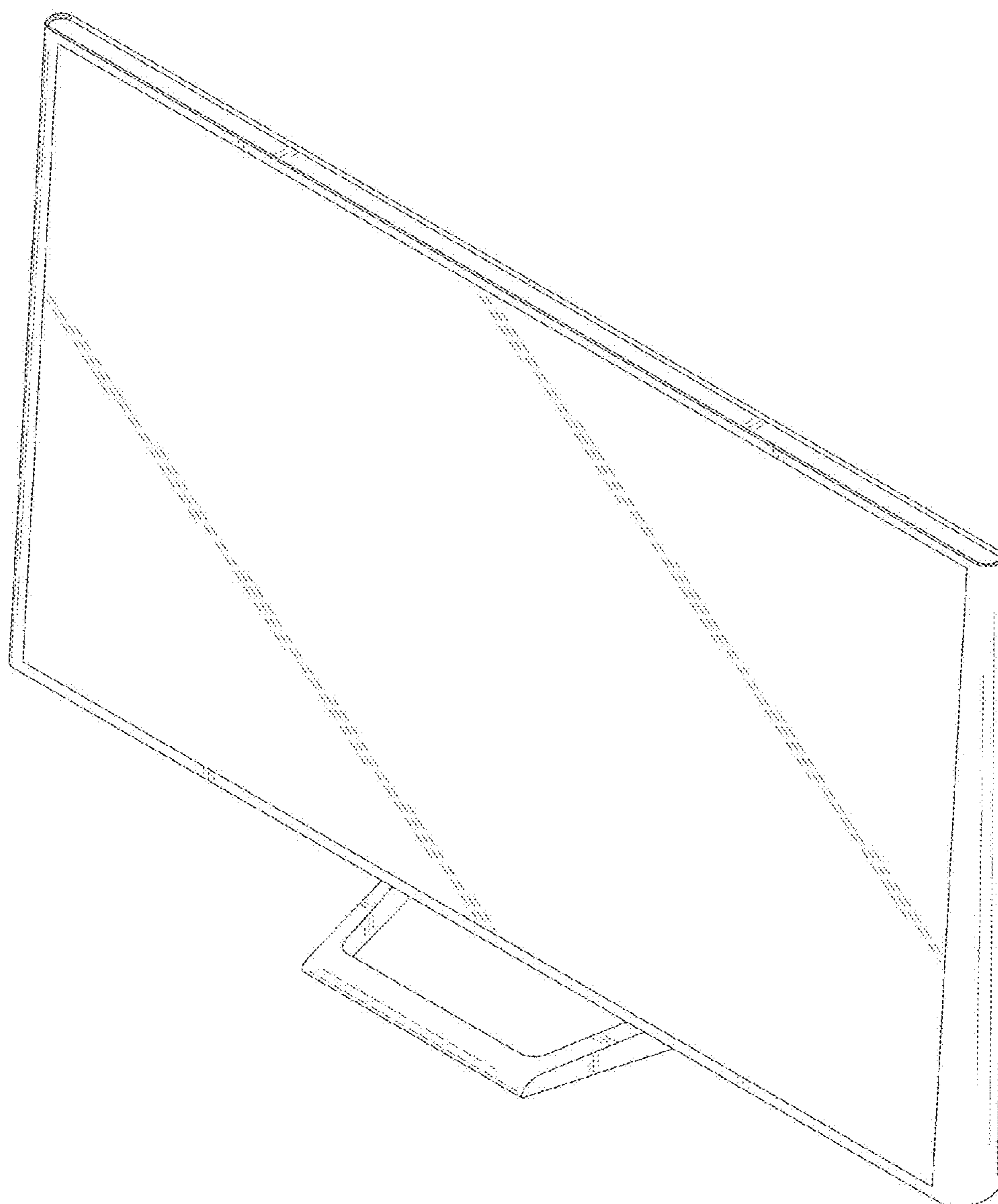


Fig. 2

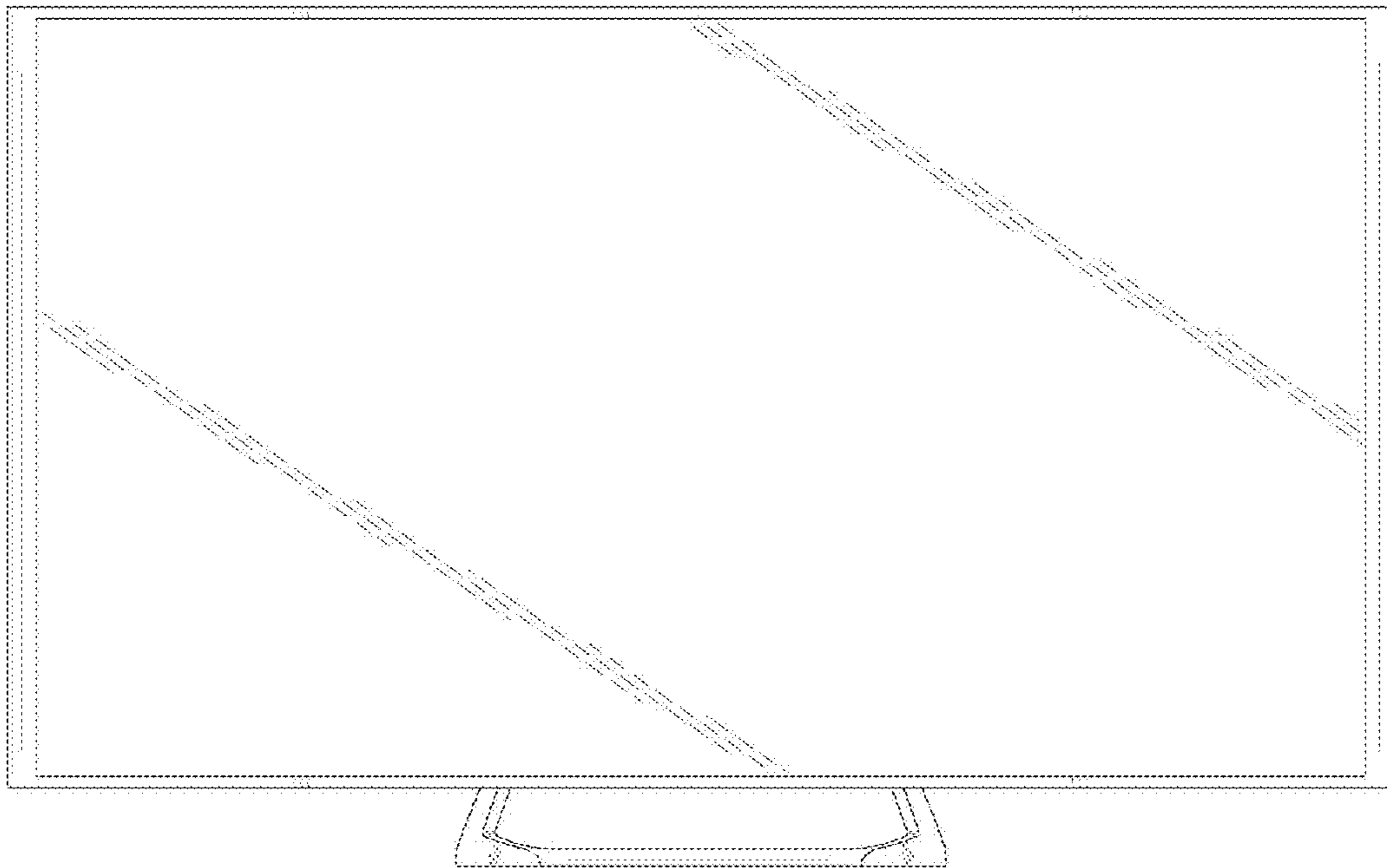
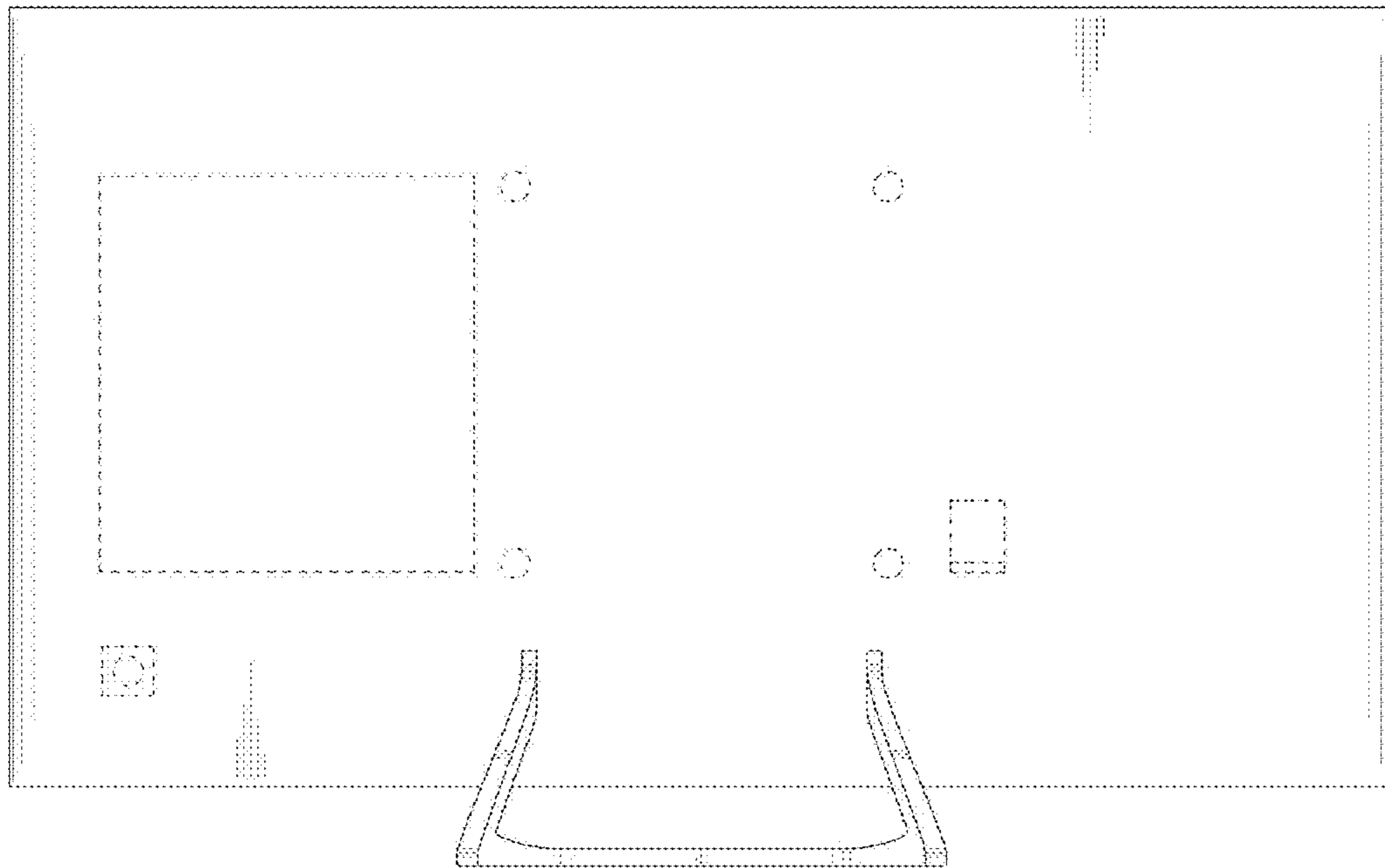


Fig. 3



**Fig. 4**

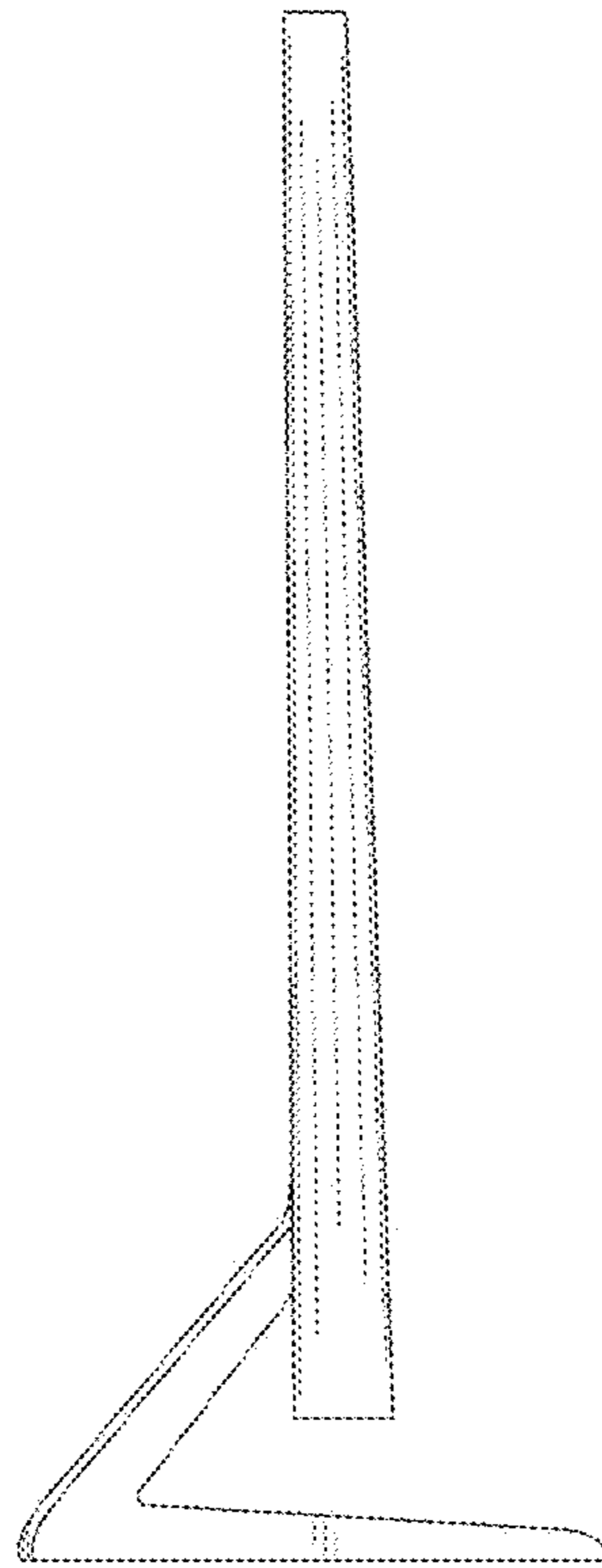


Fig. 5

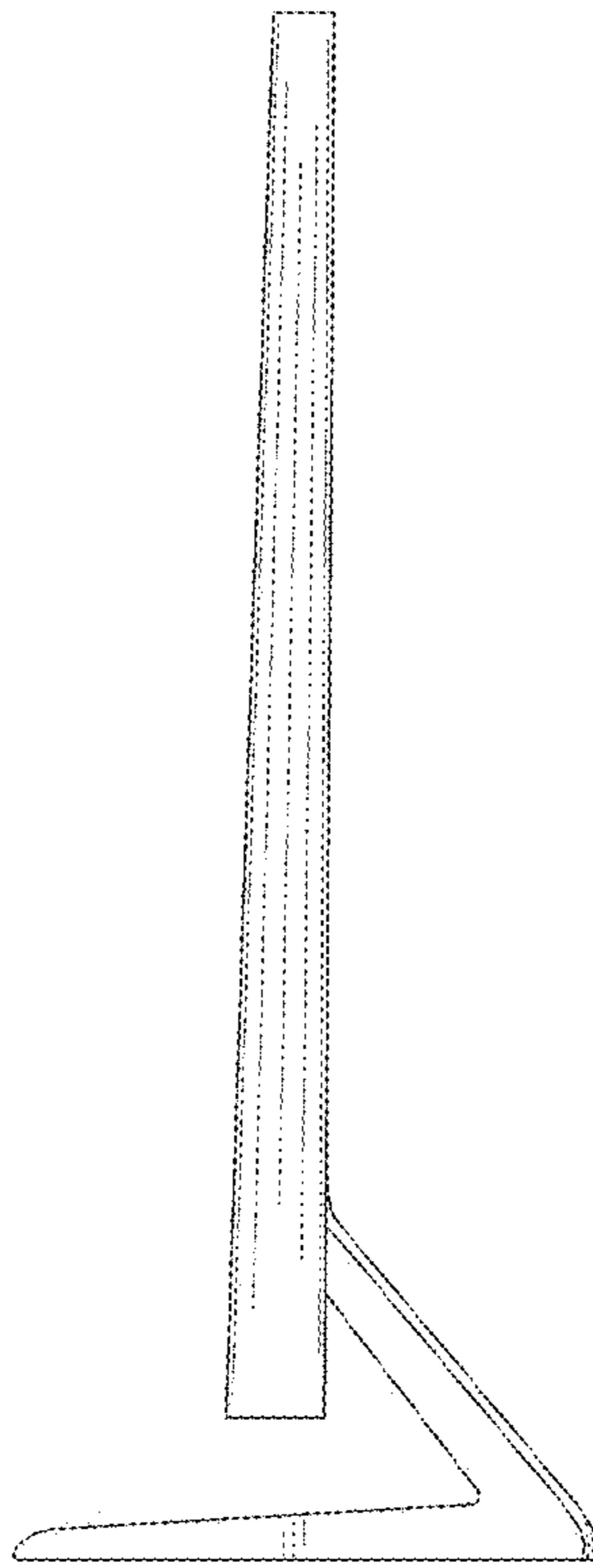


Fig. 6

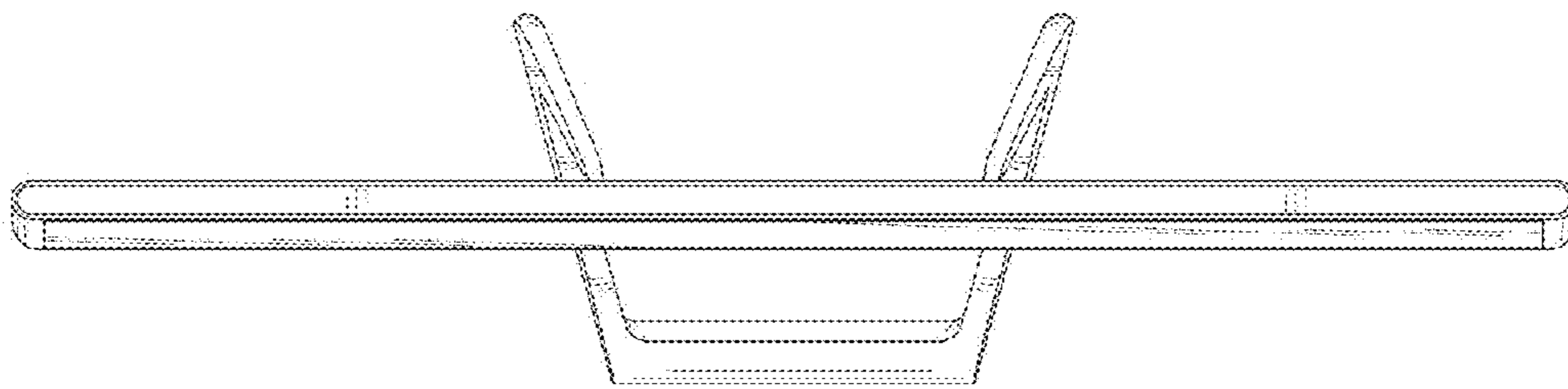


Fig. 7

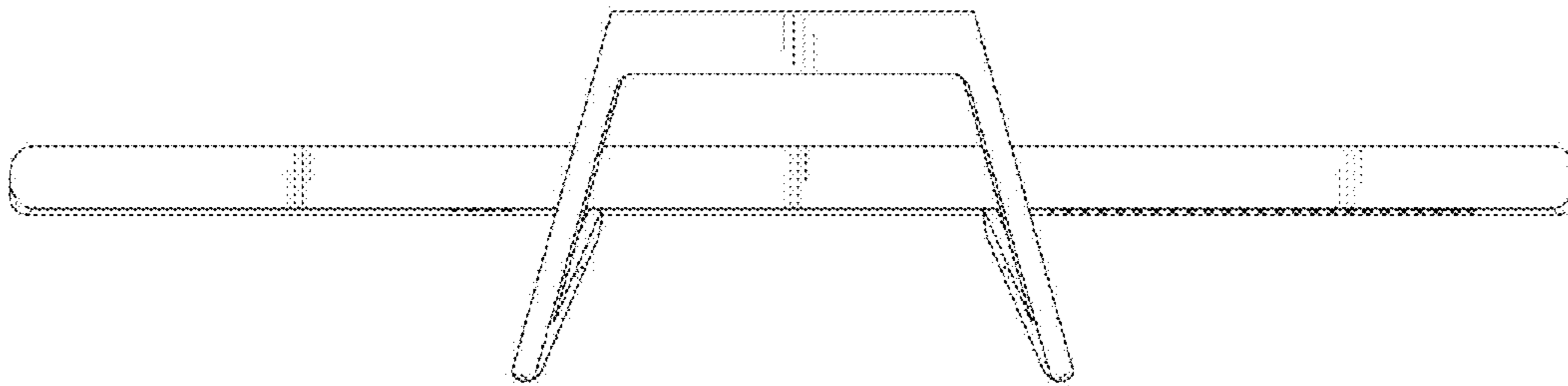




Fig. 8

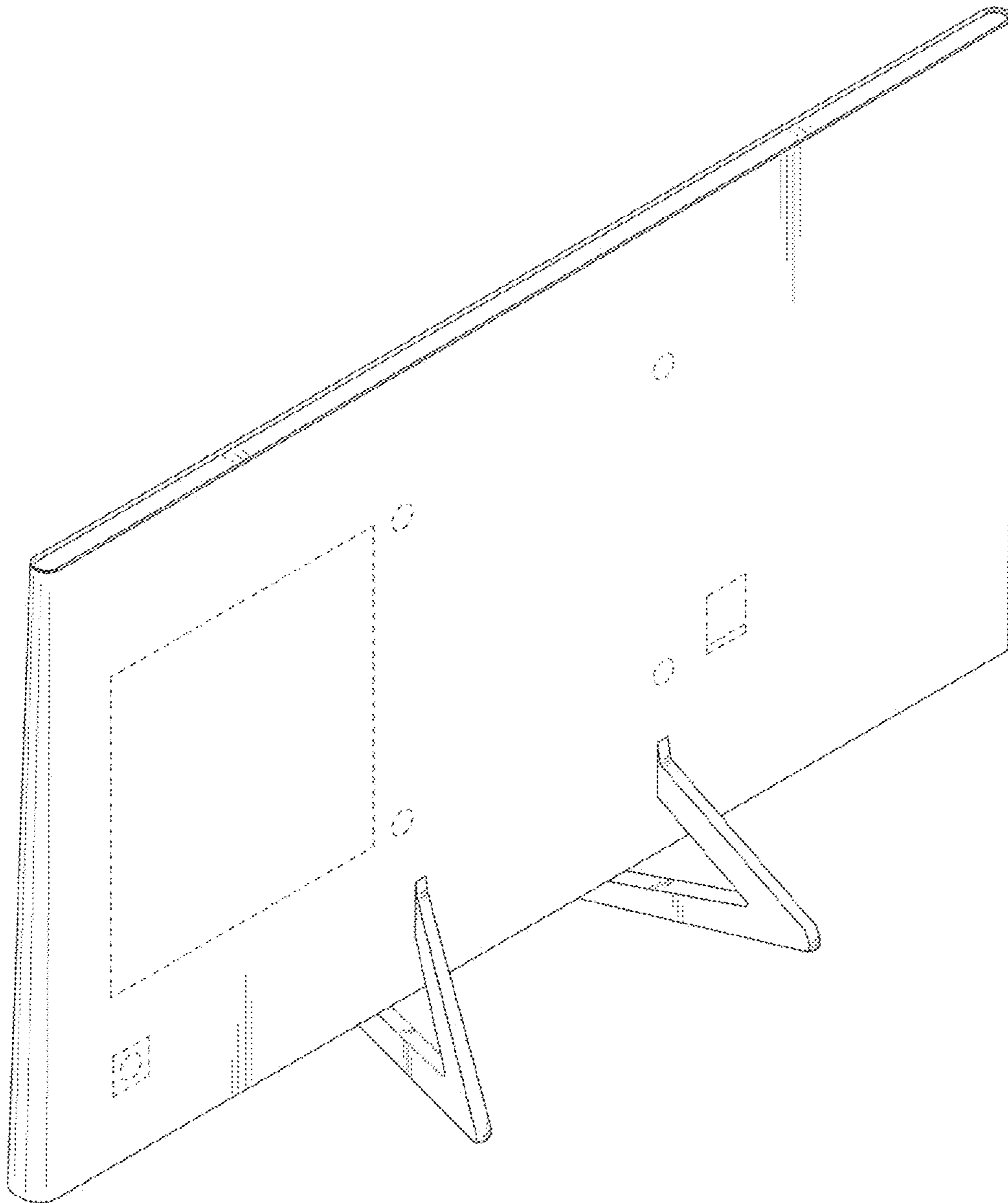


Fig. 9

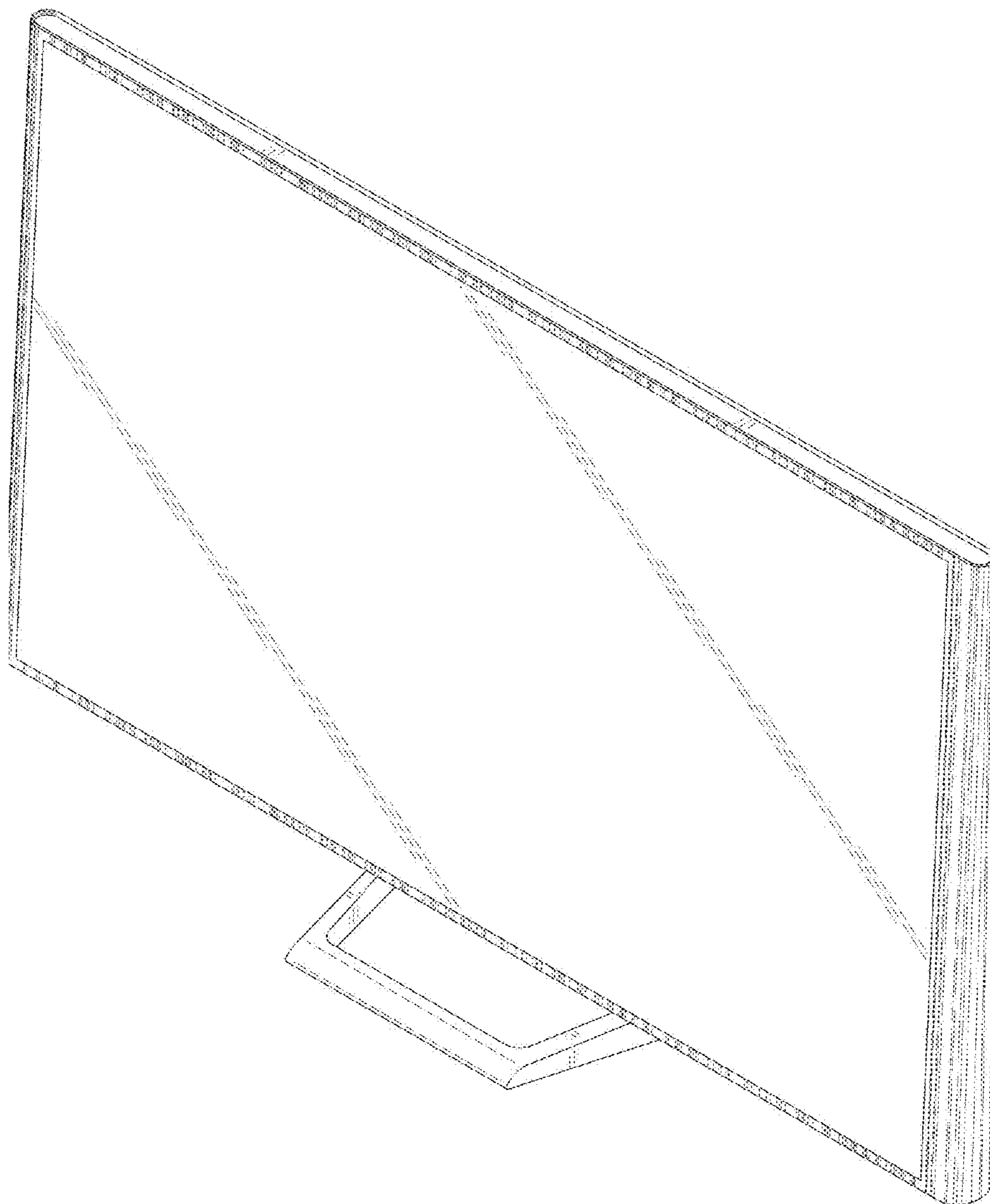


Fig. 10

