



US00D761217S

(12) **United States Design Patent**
Lee et al.

(10) **Patent No.:** **US D761,217 S**
(45) **Date of Patent:** **** Jul. 12, 2016**

(54) **ELECTRONIC DEVICE**

(71) Applicant: **Samsung Electronics Co., Ltd.**,
Suwon-si, Gyeonggi-do (KR)

(72) Inventors: **Minhee Lee**, Seoul (KR); **Chulyong Cho**, Seoul (KR)

(73) Assignee: **Samsung Electronics Co., Ltd.**,
Suwon-Si (KR)

(**) Term: **14 Years**

(21) Appl. No.: **29/518,075**

(22) Filed: **Feb. 19, 2015**

(30) **Foreign Application Priority Data**

Aug. 26, 2014 (KR) 30-2014-0041619

(51) **LOC (10) Cl.** **14-03**

(52) **U.S. Cl.**
USPC **D14/126**

(58) **Field of Classification Search**

USPC D14/125-134, 239, 371, 136, 374-377,
D14/440, 450, 448, 336, 342, 159; 312/7.2;
348/836, 838, 180, 184, 325, 739;
248/917-924, 465; 345/104, 133, 156,
345/168, 87, 173; D21/329, 515, 577, 622,
D21/333, 433, 448, 452, 450, 331, 505;
D10/15, 26; 446/484, 175, 356;
D6/477, 479, 300; D20/10, 19, 39
CPC ... G06F 1/1601; G06F 1/1643; H05K 5/0004;
H05K 5/0017; H05K 5/02; H05K 5/0217;
H04N 13/0459

See application file for complete search history.

(56) **References Cited**

U.S. PATENT DOCUMENTS

D361,552 S *	8/1995	Iino	D14/341
D501,185 S *	1/2005	Sato	D14/126
D565,526 S *	4/2008	Ishikawa	D14/126
D598,015 S *	8/2009	Busri	D14/341
D601,139 S *	9/2009	Huang	D14/341
D622,240 S *	8/2010	Liu	D14/126
D642,550 S *	8/2011	Kawano	D14/126
D666,566 S *	9/2012	Sugita	D14/126
D689,033 S *	9/2013	Hwangbo	D14/126
D691,979 S *	10/2013	Park	D14/126
D699,697 S *	2/2014	Moon	D14/126
D701,187 S *	3/2014	Sung	D14/126
D736,167 S *	8/2015	Bang	D14/126

* cited by examiner

Primary Examiner — Raphael Barkai

(74) *Attorney, Agent, or Firm* — Ladas & Parry LLP

(57) **CLAIM**

We claim the ornamental design for electronic device, as shown and described.

DESCRIPTION

FIG. 1 is the front perspective view of electronic device showing our new design;
FIG. 2 is the front view thereof;
FIG. 3 is the rear view thereof;
FIG. 4 is the left-side view thereof;
FIG. 5 is the right-side view thereof;
FIG. 6 is the top plan view thereof;
FIG. 7 is the bottom plan view thereof; and,
FIG. 8 is the rear perspective view thereof.
The broken lines in the drawing show unclaimed environment only and form no part of the claimed design.

1 Claim, 8 Drawing Sheets

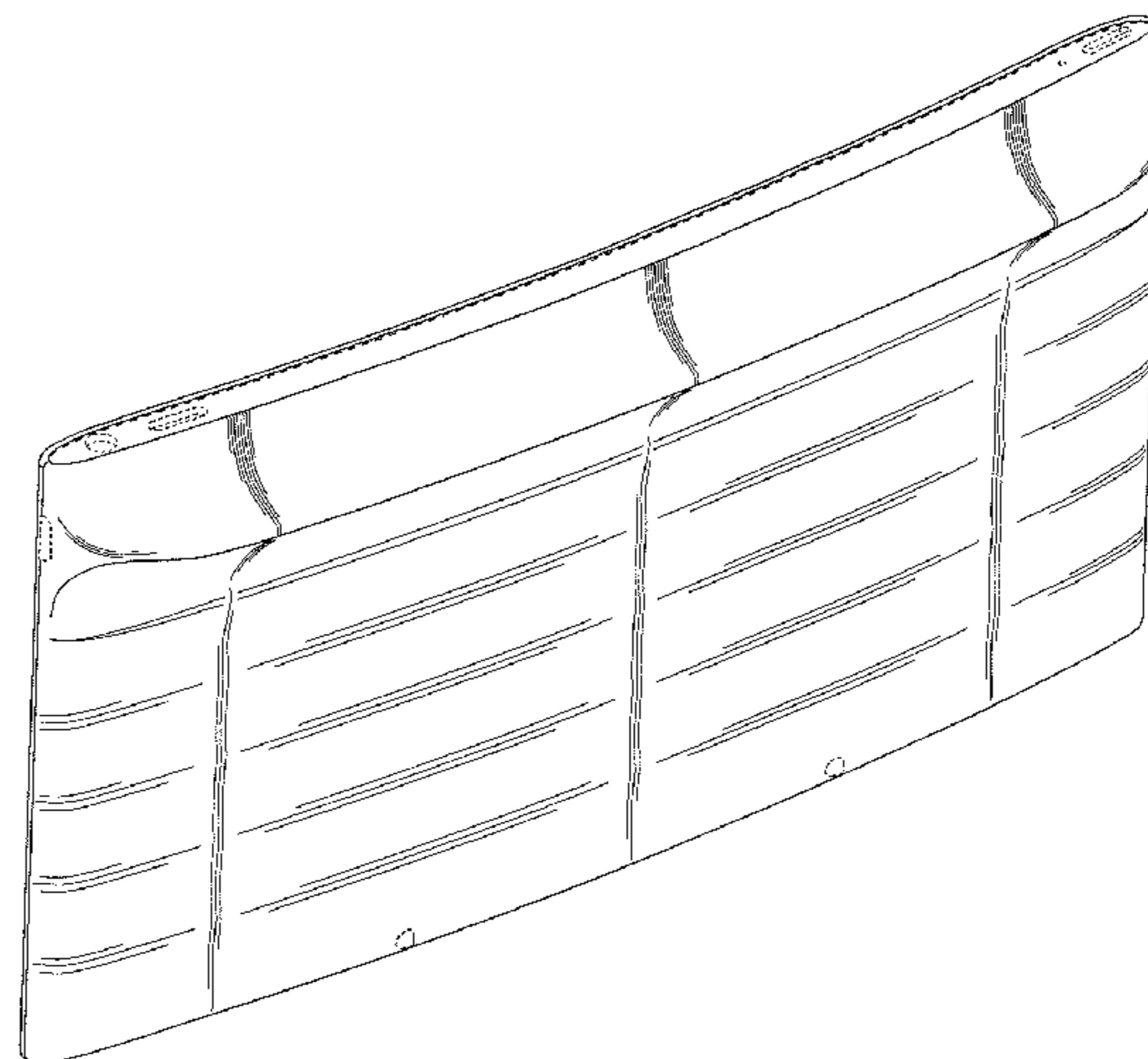
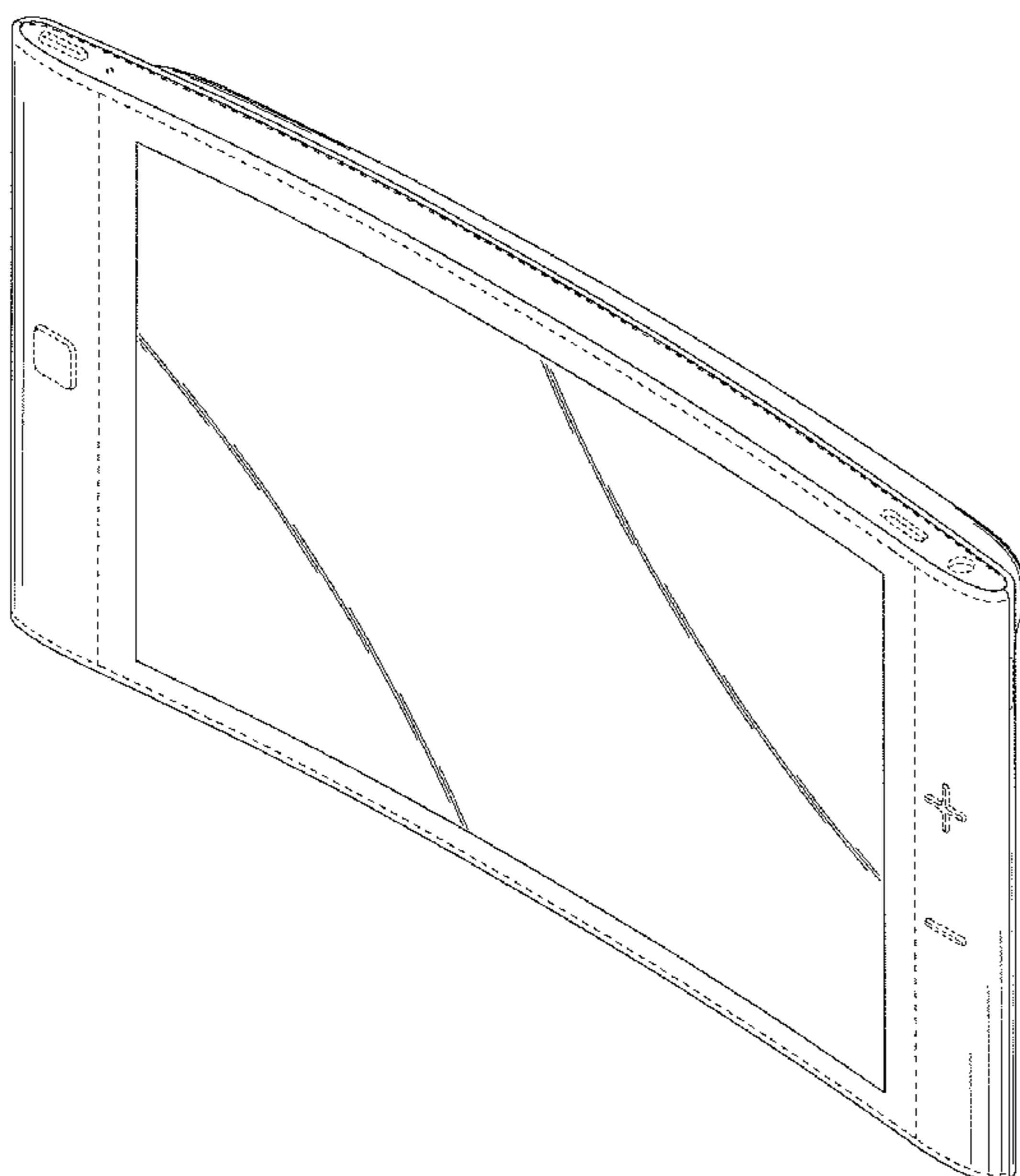


FIG. 1

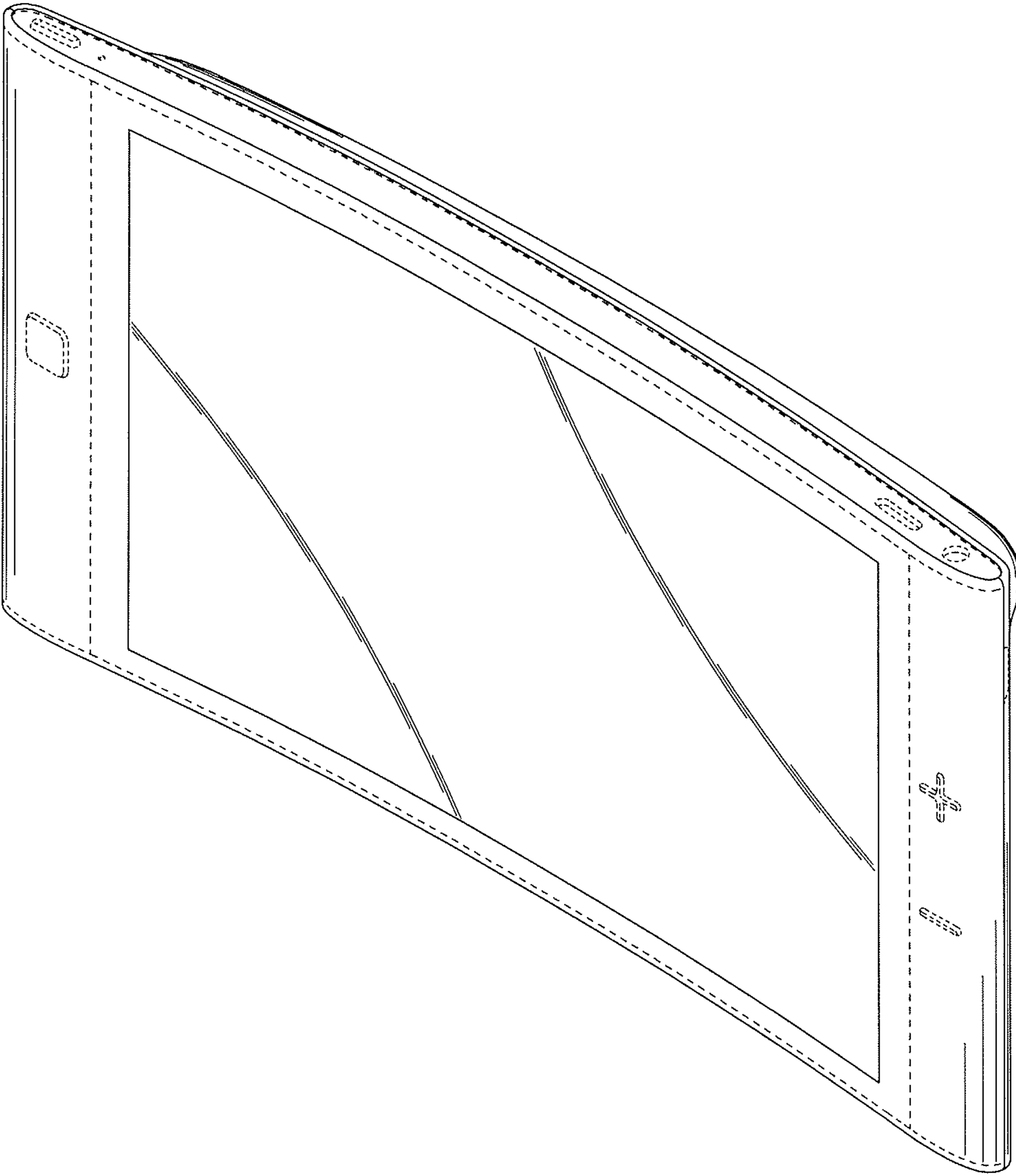


FIG. 2

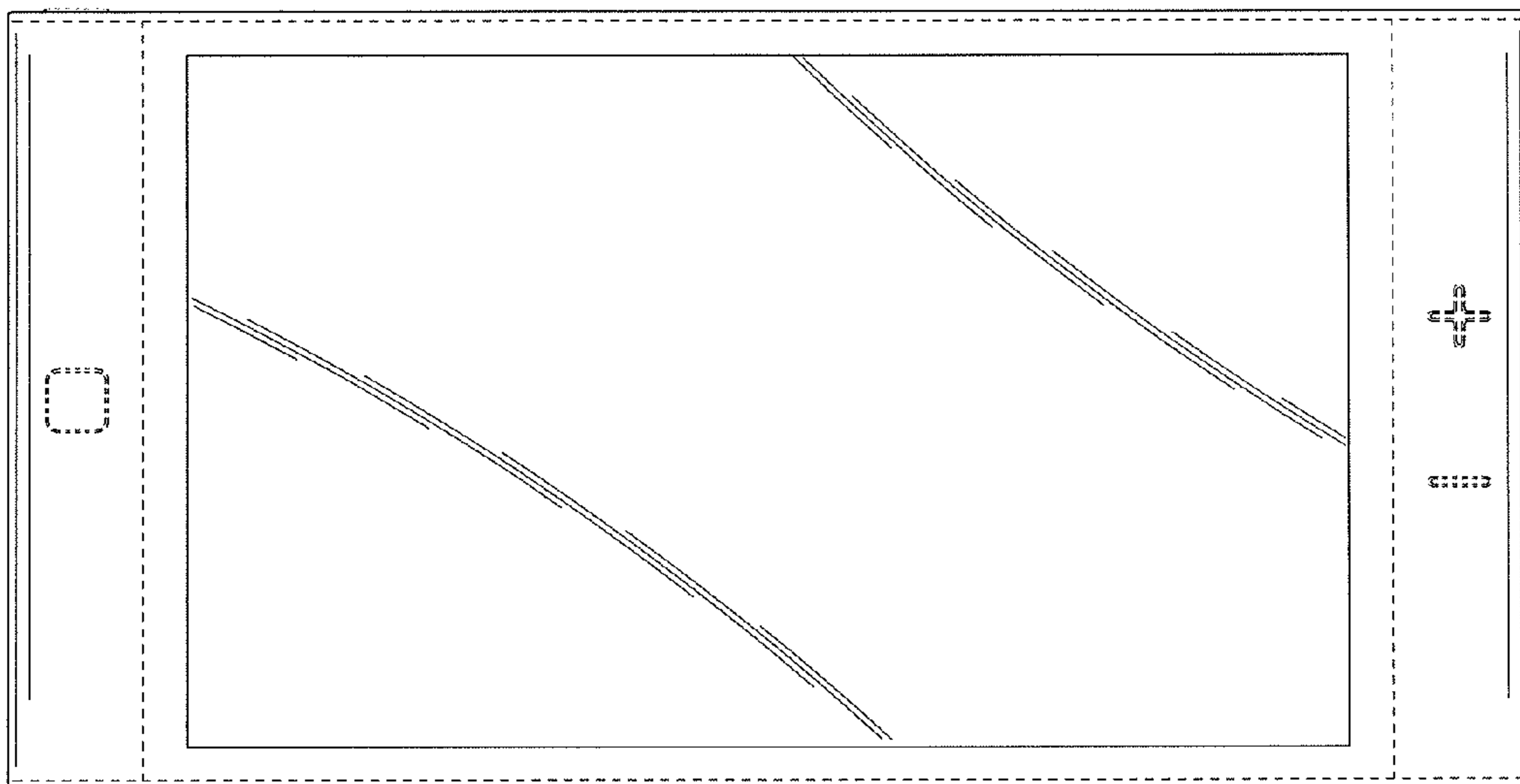


FIG. 3

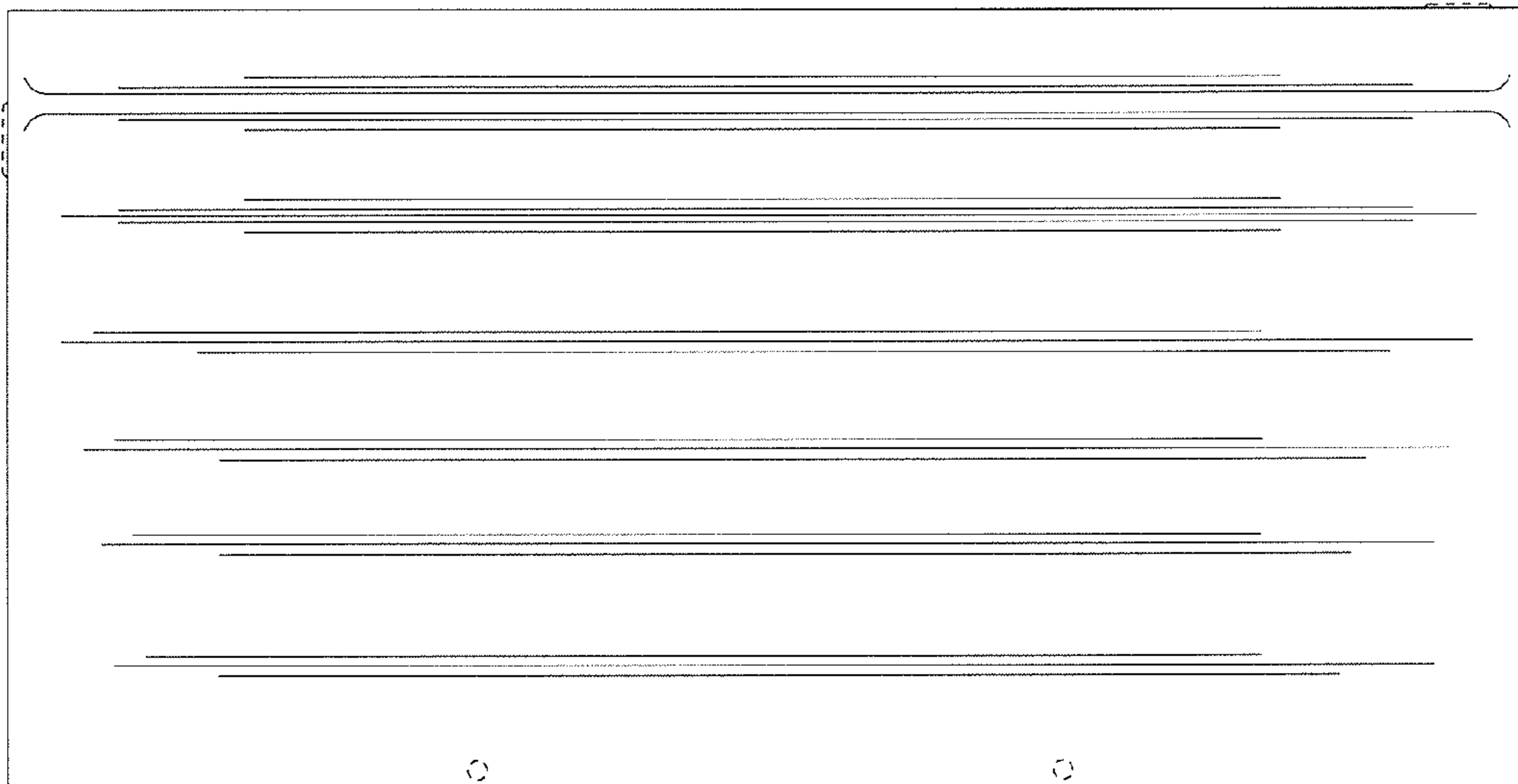


FIG. 4



FIG. 5

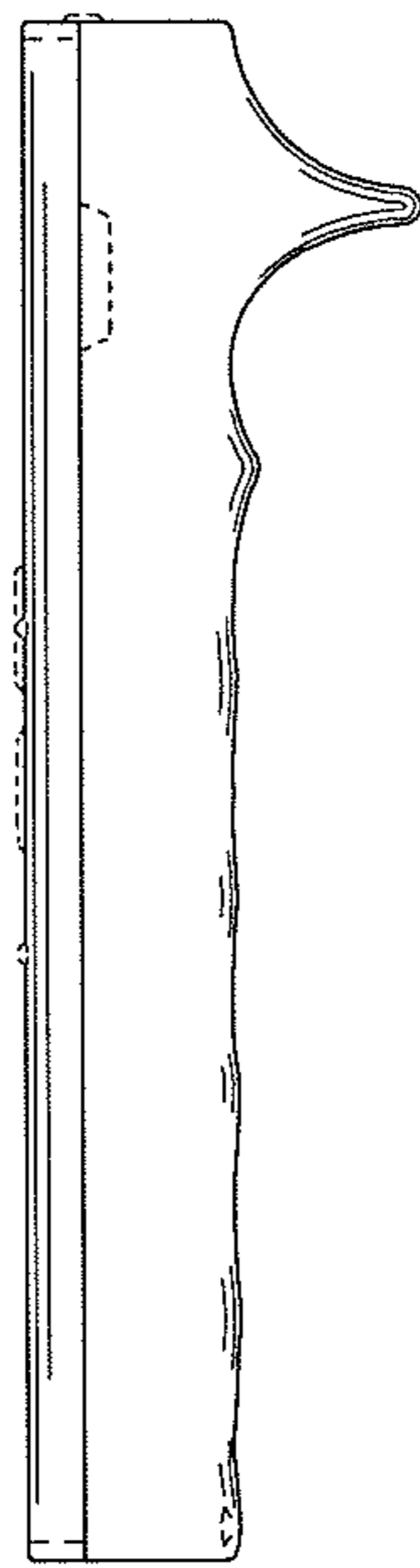


FIG. 6

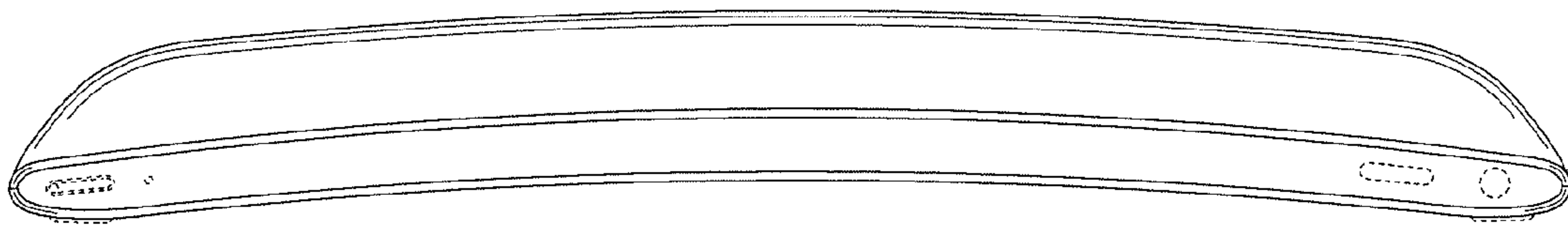


FIG. 7

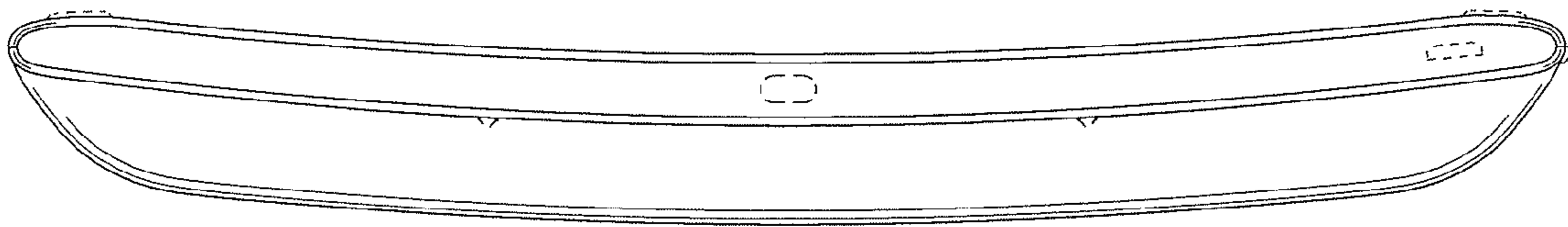


FIG. 8

