



US00D761213S

(12) **United States Design Patent**
Lee et al.

(10) **Patent No.:** **US D761,213 S**
(45) **Date of Patent:** **** Jul. 12, 2016**

(54) **LIGHT EMITTING DIODE MODULE**

(71) Applicant: **Genesis Photonics Inc.**, Tainan (TW)

(72) Inventors: **Hao-Chung Lee**, Tainan (TW); **Yu-Feng Lin**, Tainan (TW); **Xun-Xain Zhan**, Tainan (TW)

(73) Assignee: **Genesis Photonics Inc.**, Tainan (TW)

(**) Term: **14 Years**

(21) Appl. No.: **29/522,731**

(22) Filed: **Apr. 2, 2015**

(51) **LOC (10) Cl.** **13-03**

(52) **U.S. Cl.**
USPC **D13/180**

(58) **Field of Classification Search**
USPC D13/180; D26/1
CPC ... H01L 25/167; H01L 25/0753; H01L 27/15;
H01L 27/156; H01L 31/02; H01L 33/00;
H01L 33/04; H01L 33/08; H01L 33/10;
H01L 33/20; H01L 33/38; H01L 33/42;
H01L 33/48; H01L 33/62; H01L 33/483;
H01L 33/486; F21K 9/00; F21K 9/30; F21K
9/54

See application file for complete search history.

(56) **References Cited**

U.S. PATENT DOCUMENTS

D575,245 S * 8/2008 Yen D13/180
D611,436 S * 3/2010 Ho D13/180
D625,694 S * 10/2010 Morikawa D13/180
D636,900 S * 4/2011 Chou D26/1
D646,645 S * 10/2011 Chen D13/180
D646,646 S * 10/2011 Chen D13/180
D646,647 S * 10/2011 Chen D13/180
D647,491 S * 10/2011 Chen D13/180
D647,492 S * 10/2011 Imai D13/180
D665,519 S * 8/2012 Oyaizu
8,531,126 B2 * 9/2013 Kaihotsu H01L 25/0753
315/112
D714,744 S * 10/2014 Hsing Chen D13/180
8,878,221 B2 * 11/2014 Lee F21S 48/321

257/99
D733,670 S * 7/2015 Hsing Chen D13/180
2006/0049422 A1 * 3/2006 Shoji H01L 33/486
257/100
2006/0131600 A1 * 6/2006 Nakaoka G01J 1/04
257/99
2009/0014739 A1 * 1/2009 Chiang H01L 33/486
257/98
2011/0186874 A1 * 8/2011 Shum H01L 25/0753
257/88

FOREIGN PATENT DOCUMENTS

TW D125767 11/2008
TW D141207 6/2011

OTHER PUBLICATIONS

“Notice of Allowance of Taiwan Counterpart Application”, issued on Nov. 18, 2015, p. 1-p. 3, in which the listed references were cited.
Notice of Allowance of U.S. Appl. No. 29/522,733, issued on Mar. 2, 2016, p1-p11, in which the listed reference was cited.

* cited by examiner

Primary Examiner — Selina Sikder

(74) *Attorney, Agent, or Firm* — Jianq Chyun IP Office

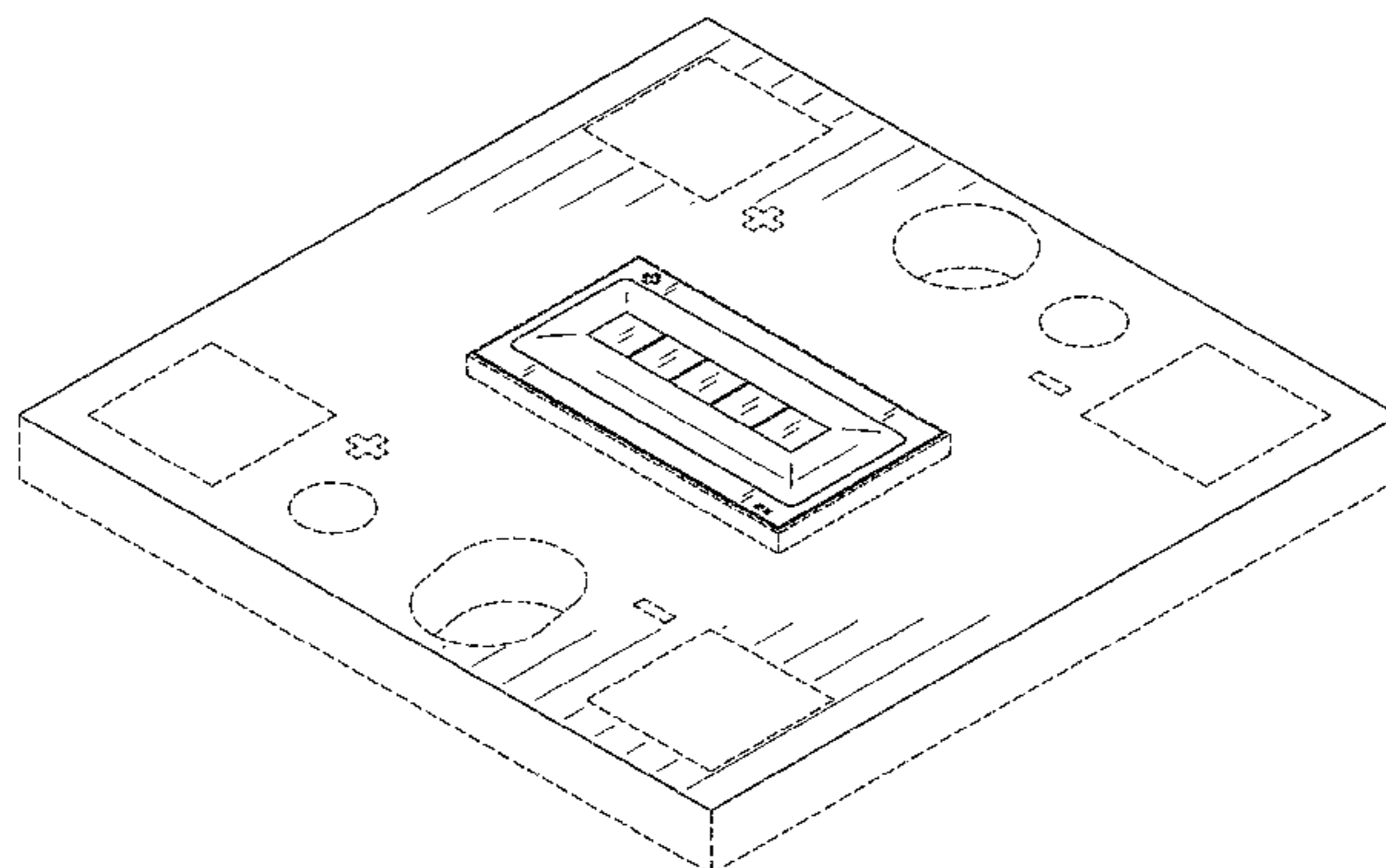
(57) **CLAIM**

The ornamental design for a light emitting diode module, as shown and described.

DESCRIPTION

FIG. 1 is a perspective view of a light emitting diode module showing our new design;
FIG. 2 is a front view thereof;
FIG. 3 is a rear view thereof;
FIG. 4 is a left side view thereof;
FIG. 5 is a right side view thereof;
FIG. 6 is top view thereof; and,
FIG. 7 is a bottom view thereof.
The broken lines are for the purpose of illustrating portions of the light emitting diode module form no part of the claimed design. The light shade lines on the surface portions indicate contour and not surface decoration.

1 Claim, 5 Drawing Sheets



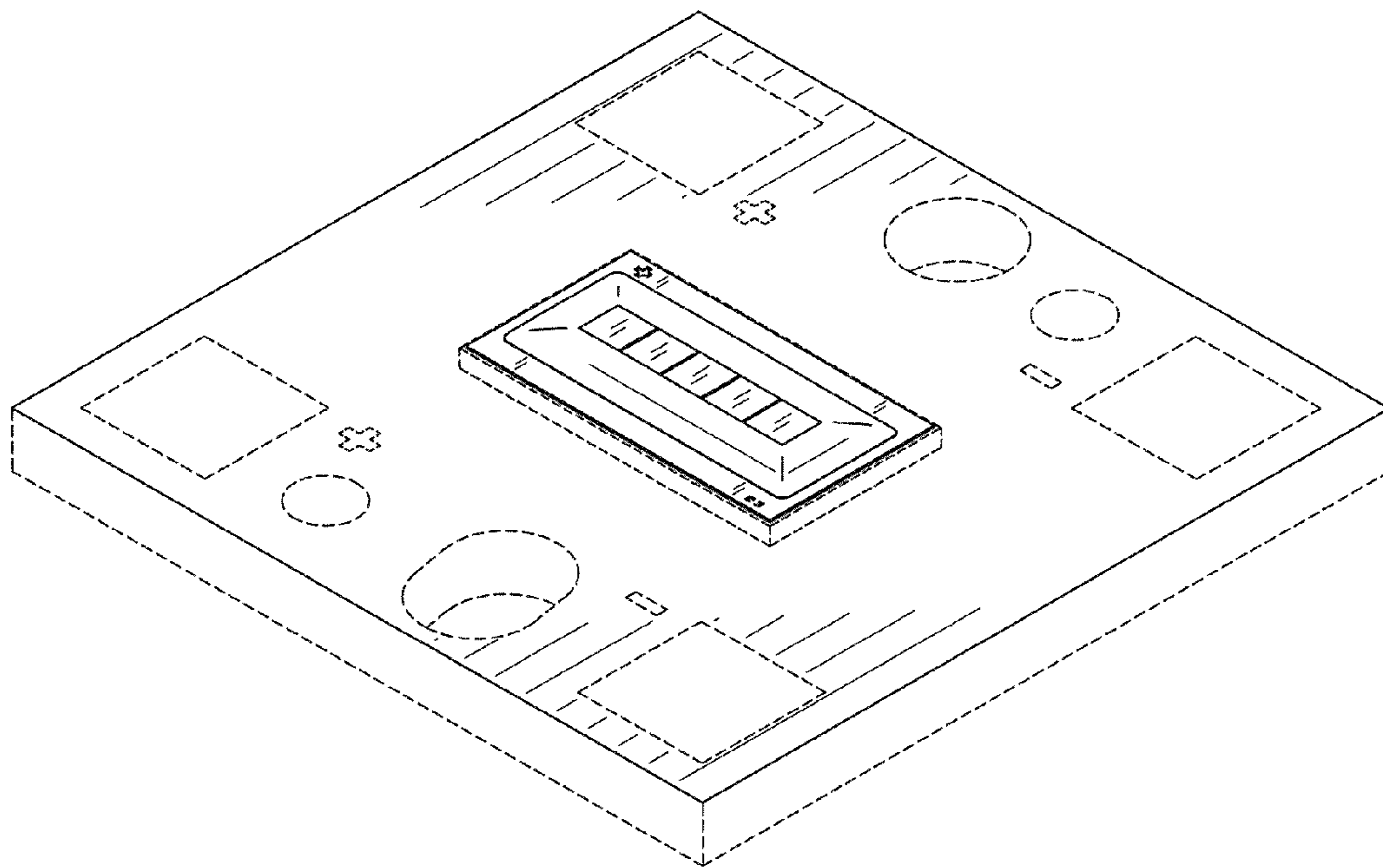


FIG. 1

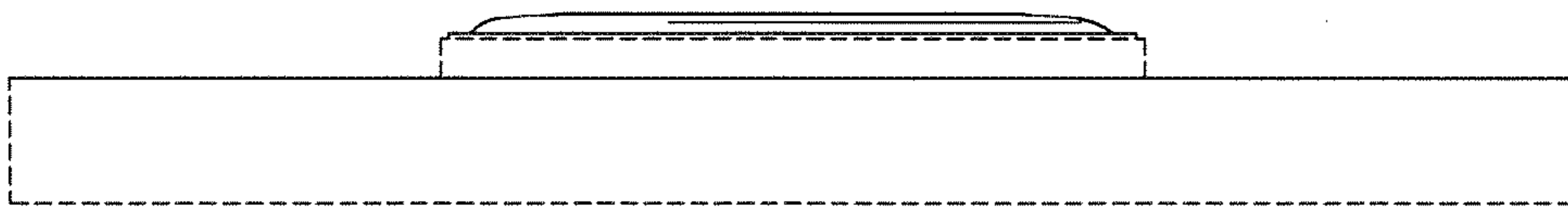


FIG. 2

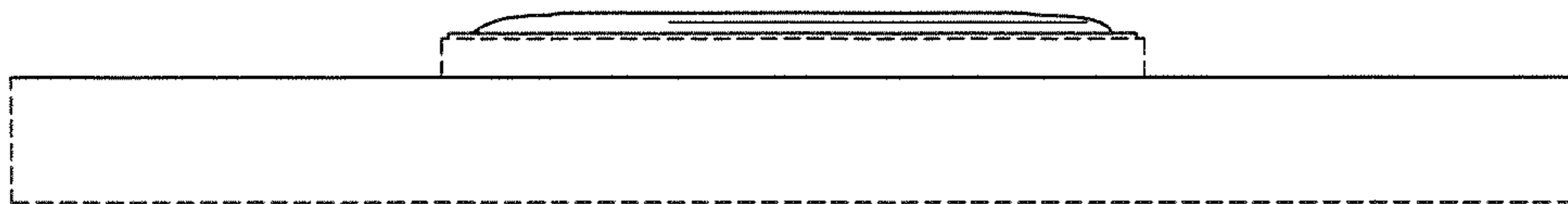


FIG. 3

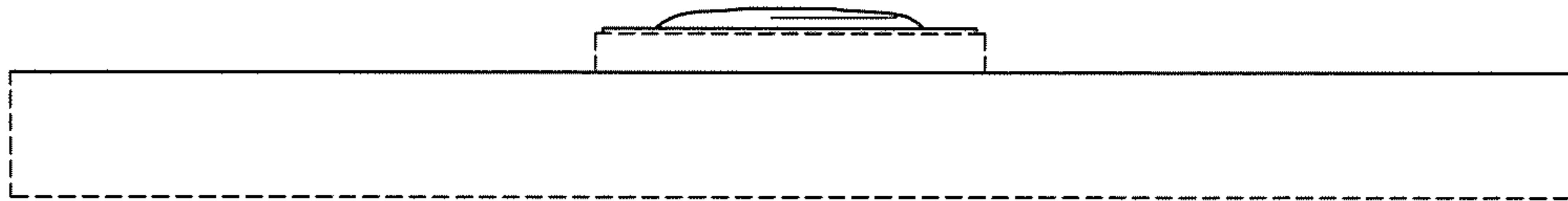


FIG. 4

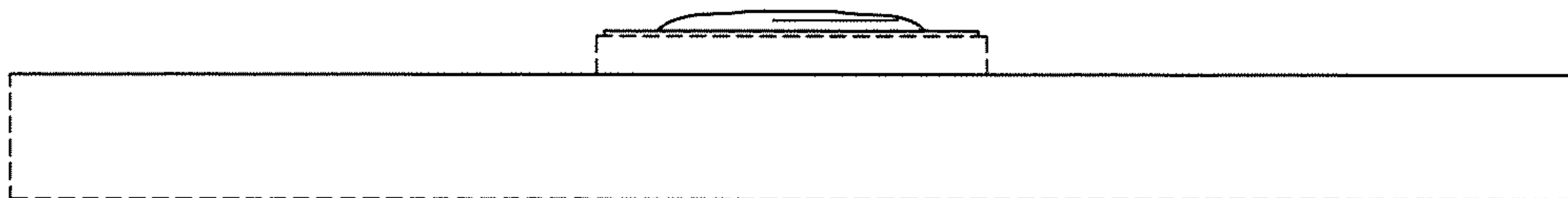


FIG. 5

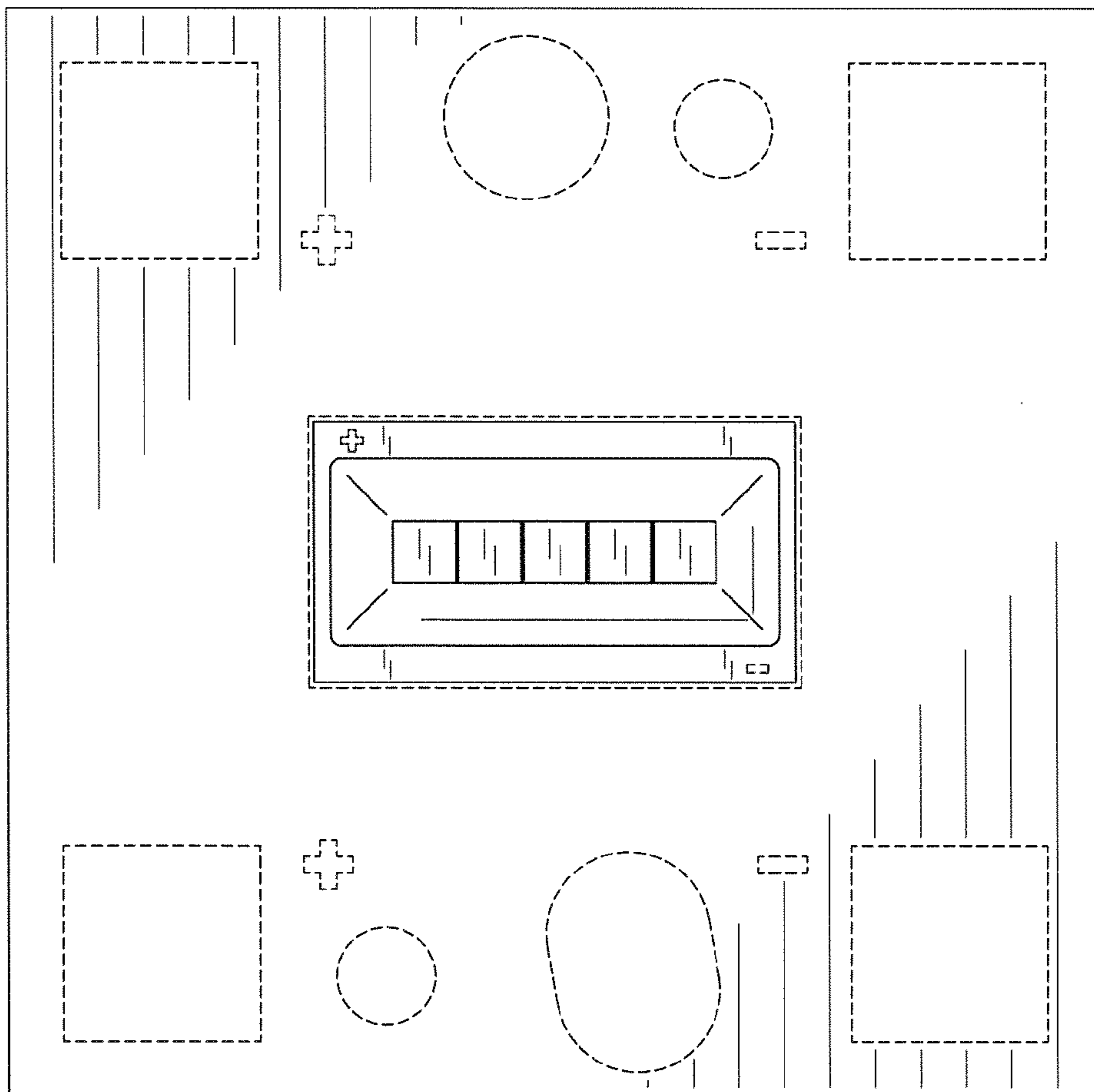


FIG. 6

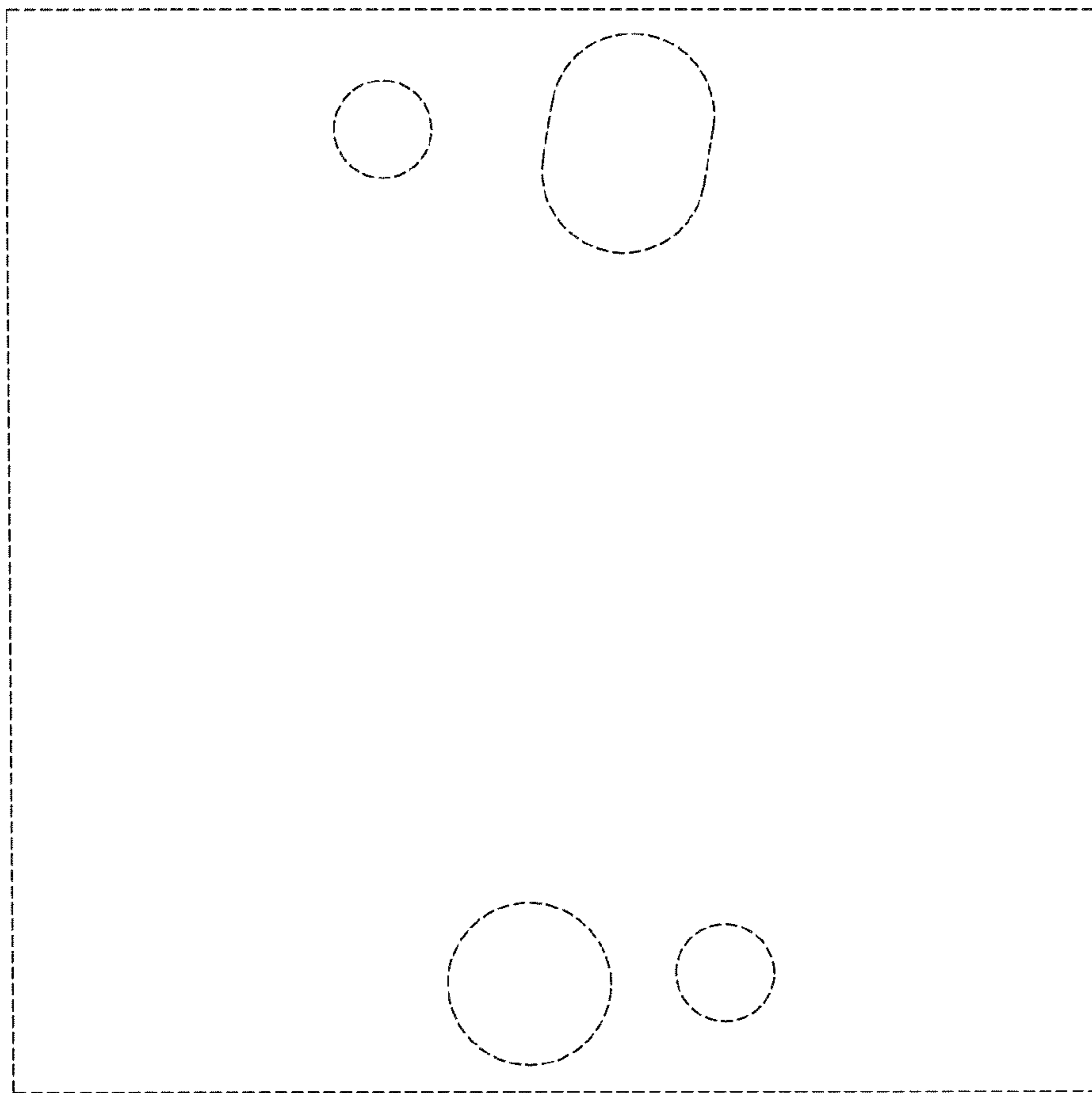


FIG. 7