



US00D761211S

(12) **United States Design Patent**
Muramoto

(10) **Patent No.:** **US D761,211 S**
(45) **Date of Patent:** **** Jul. 12, 2016**

- (54) **PUSH SWITCH**
- (71) Applicant: **OMRON Corporation**, Kyoto-shi, Kyoto (JP)
- (72) Inventor: **Kei Muramoto**, Okayama (JP)
- (73) Assignee: **OMRON CORPORATION**, Kyoto (JP)
- (**) Term: **15 Years**
- (21) Appl. No.: **29/534,009**
- (22) Filed: **Jul. 24, 2015**

3,674,966 A	7/1972	Long
4,119,823 A	10/1978	Matsueda et al.
4,230,922 A	10/1980	Habecker
D268,928 S	5/1983	Ohashi
4,388,503 A	6/1983	Penland et al.
D269,954 S	8/1983	Ohashi
4,433,222 A	2/1984	Kodaira
4,514,601 A	4/1985	Buchanan
D280,814 S	10/1985	Ohashi
D287,359 S	12/1986	Ohashi
D294,346 S	2/1988	Holmes
4,935,591 A	6/1990	Kaneko
D340,224 S	10/1993	Gierut
D340,227 S	10/1993	Gierut
D352,700 S	11/1994	Agnatovech
5,389,758 A	2/1995	Agnatovech
5,512,723 A	4/1996	Joshi
5,613,598 A	3/1997	Pittman et al.
5,667,062 A	9/1997	Yasufuku et al.
5,796,058 A	8/1998	Aimi et al.
5,973,284 A	10/1999	Takenaka et al.
6,054,663 A	4/2000	Cranick et al.
6,113,440 A	9/2000	Fijten et al.

Related U.S. Application Data

- (62) Division of application No. 29/489,009, filed on Apr. 25, 2014, now Pat. No. Des. 743,917.

Foreign Application Priority Data

- (30) Nov. 21, 2013 (JP) 2013-027286

- (51) **LOC (10) Cl.** **13-03**
- (52) **U.S. Cl.**
USPC **D13/171**

- (58) **Field of Classification Search**
USPC D13/158, 171, 173
CPC H01H 3/00; H01H 3/02; H01H 3/12;
H01H 13/00; H01H 13/02; H01H 13/04;
H01H 13/063; H01H 13/12; H01H 13/14;
H01H 13/20; H01H 13/50; H01H 1/44;
H01H 1/58; H01H 21/18; H01H 15/06;
H01H 9/02; H01R 12/57; H02B 1/04; H02B
1/044; H02B 1/048

See application file for complete search history.

- (56) **References Cited**

U.S. PATENT DOCUMENTS

3,068,444 A 12/1962 Harley
3,614,364 A 10/1971 Bedocs

(Continued)

Primary Examiner — Selina Sikder

(74) *Attorney, Agent, or Firm* — Harness, Dickey & Pierce, P.L.C.

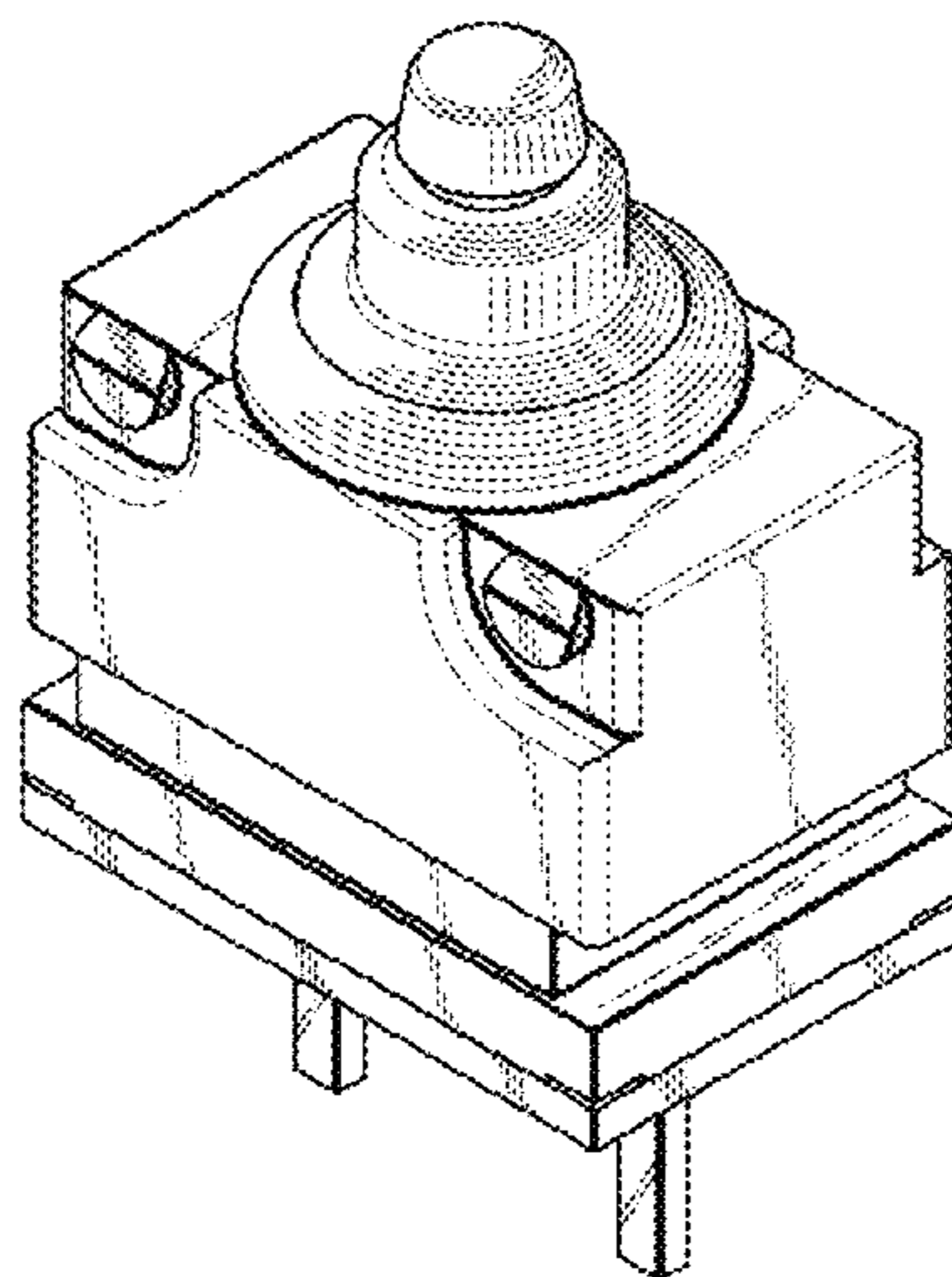
- (57) **CLAIM**

The ornamental design for a push switch, as shown and described.

DESCRIPTION

FIG. 1 is a perspective view of a push switch showing a second embodiment of my new design;
FIG. 2 is a front elevational view thereof;
FIG. 3 is a rear elevational view thereof;
FIG. 4 is a left side view thereof;
FIG. 5 is a right side view thereof;
FIG. 6 is a top plan view thereof; and,
FIG. 7 is a bottom plan view thereof.

1 Claim, 2 Drawing Sheets



(56)

References Cited

U.S. PATENT DOCUMENTS

6,207,910 B1 3/2001 Harvey et al.
6,222,144 B1 4/2001 Nishikawa
D472,883 S 4/2003 Harvey
6,861,604 B2 3/2005 McSwiggen
6,884,952 B2 4/2005 Mauroux et al.
7,067,751 B2 6/2006 Nishimura et al.
7,180,025 B2 2/2007 Kuwana et al.
7,202,432 B2 4/2007 Nishimura
7,235,754 B2 6/2007 Rochon et al.

D558,155 S 12/2007 Michaud et al.
8,878,084 B2 11/2014 Urakami
8,916,784 B2 12/2014 Chuang
D743,917 S * 11/2015 Muramoto D13/171
2005/0112960 A1 5/2005 Du et al.
2006/0243576 A1 11/2006 Kuwana et al.
2010/0184334 A1 7/2010 Ma
2010/0219052 A1 9/2010 Hallet
2013/0199907 A1 8/2013 Sugihara et al.
2013/0256104 A1 10/2013 Fujita et al.
2015/0041294 A1 2/2015 Lee

* cited by examiner

Fig. 1

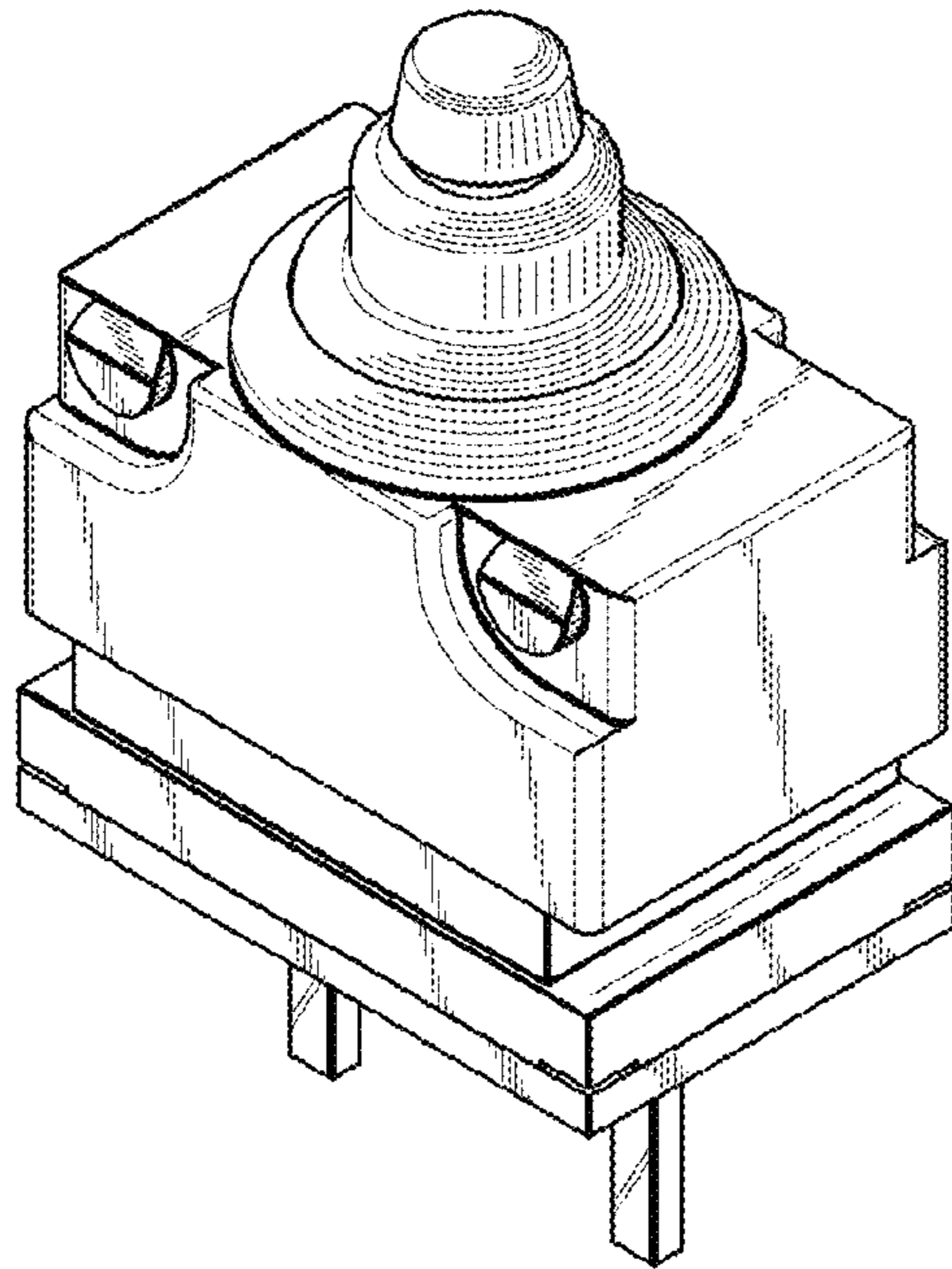


Fig. 2

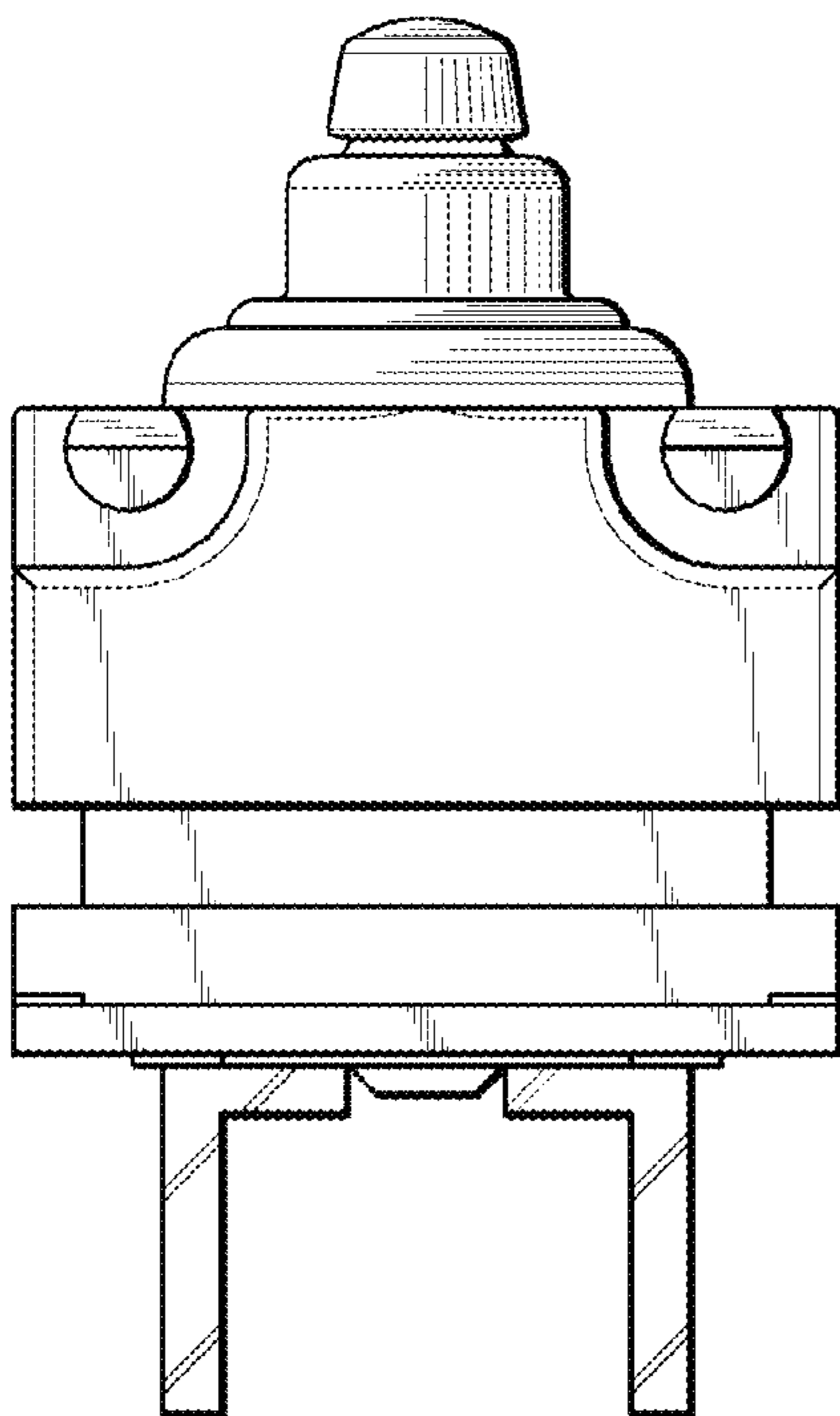


Fig. 3

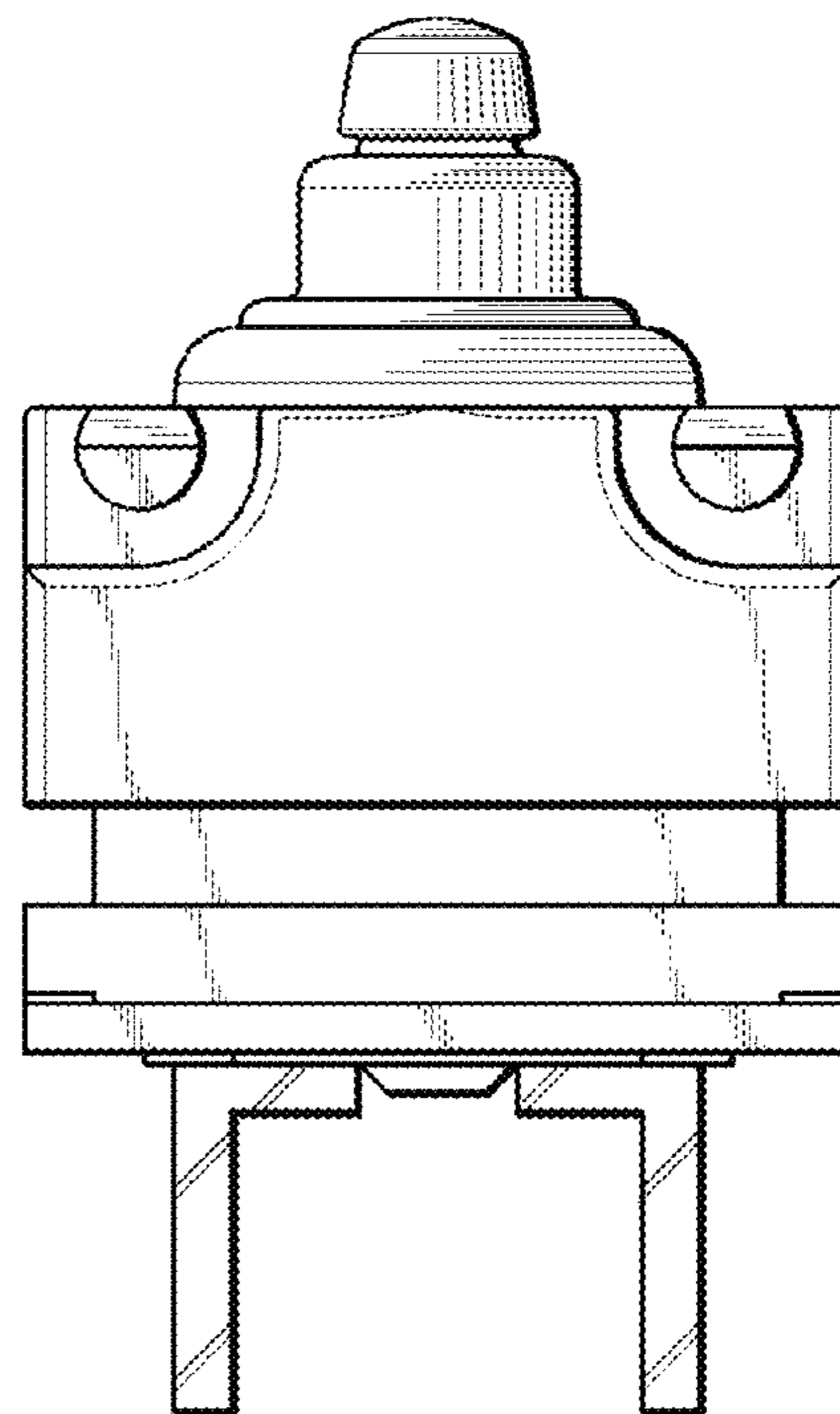


Fig. 4

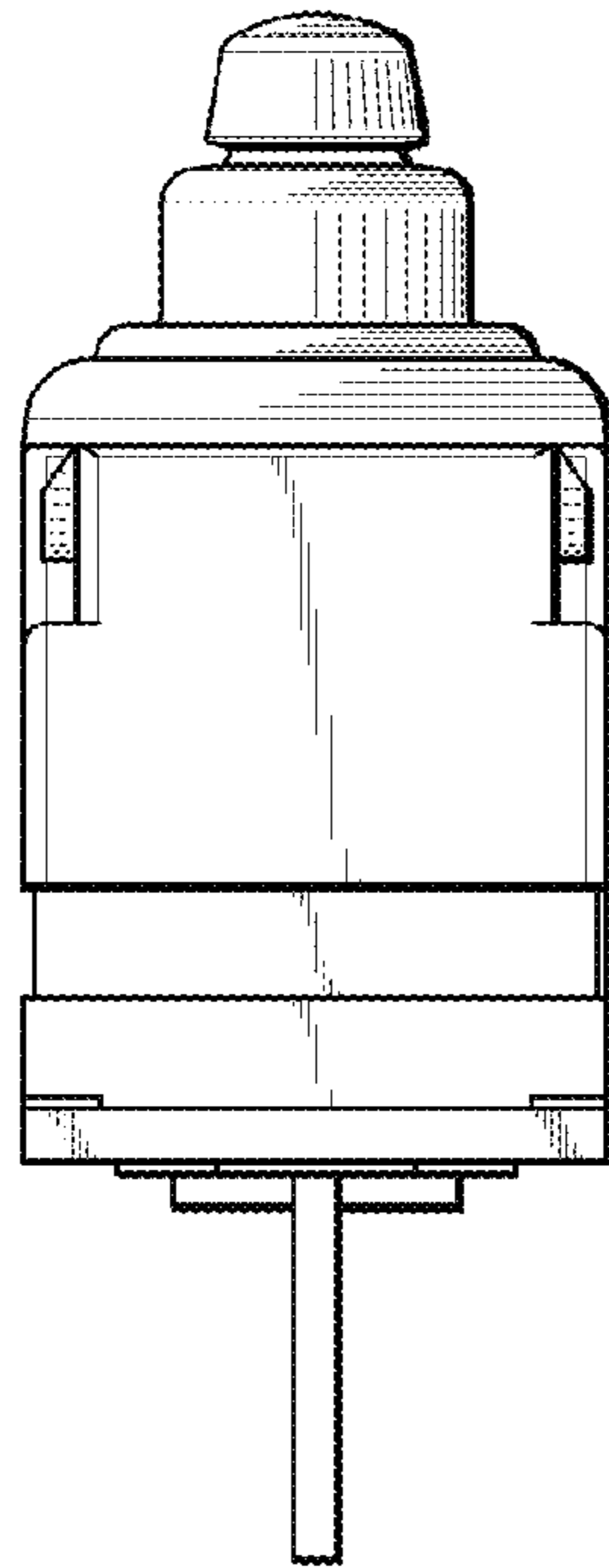


Fig. 5

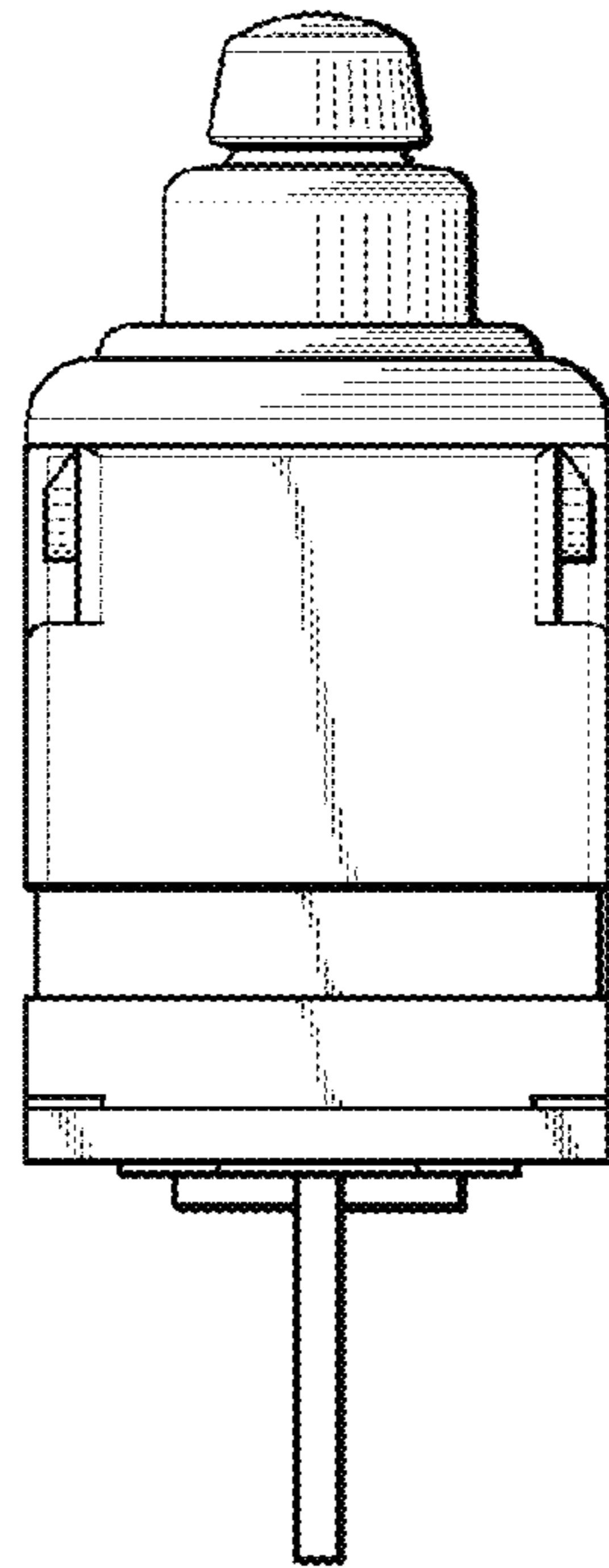


Fig. 6

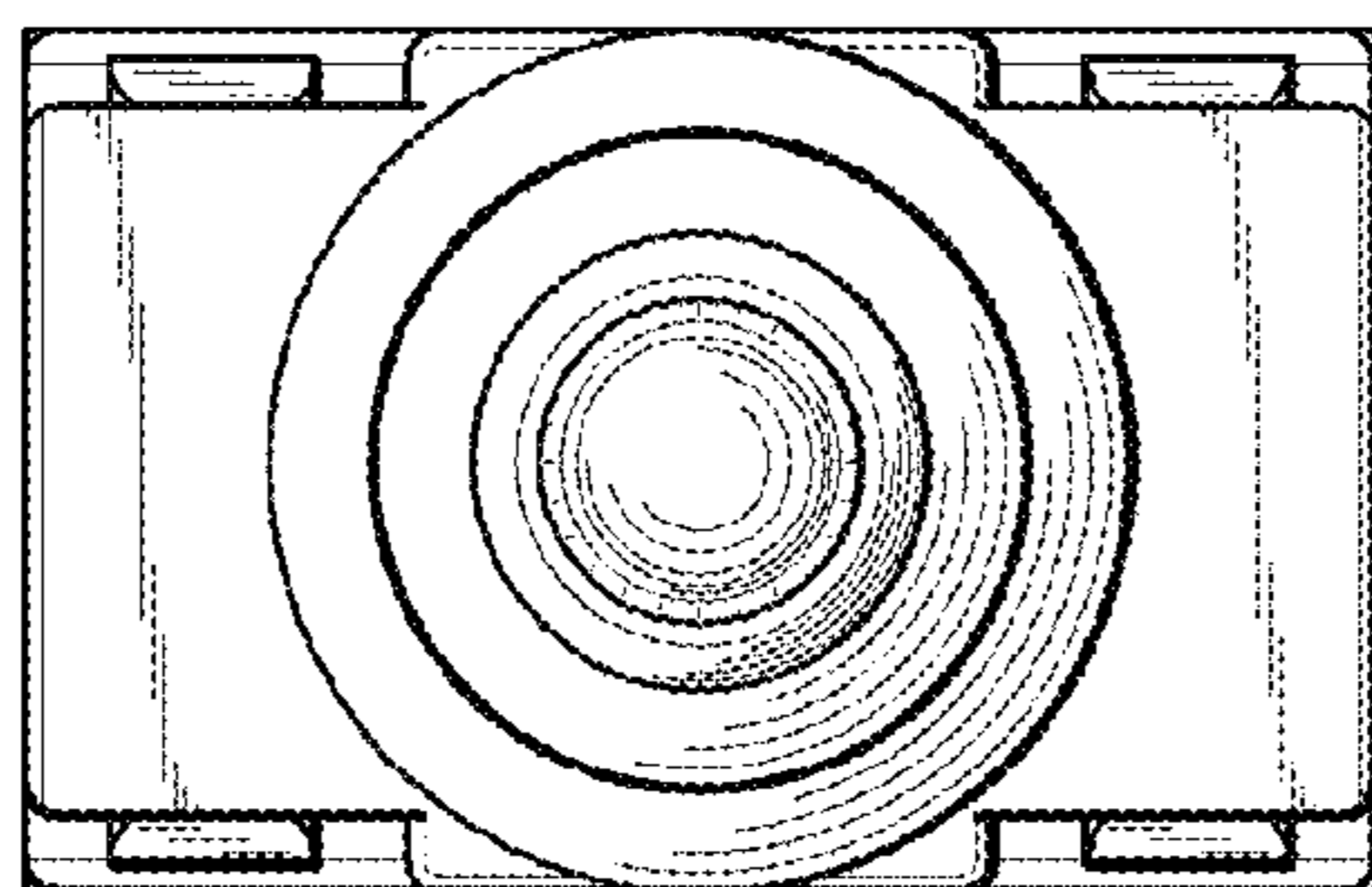


Fig. 7

