



US00D761209S

(12) **United States Design Patent**
Suenaga

(10) **Patent No.:** **US D761,209 S**
(45) **Date of Patent:** **** Jul. 12, 2016**

- (54) **WIRE HARNESS PROTECTOR**
- (71) Applicant: **Sumitomo Wiring Systems, Ltd.**,
Yokkaichi-shi, Mie-ken (JP)
- (72) Inventor: **Ryo Suenaga**, Yokkaichi (JP)
- (73) Assignee: **Sumitomo Wiring Systems, Ltd.**,
Yokkaichi-shi (JP)
- (**) Term: **15 Years**
- (21) Appl. No.: **29/544,840**
- (22) Filed: **Nov. 6, 2015**
- (30) **Foreign Application Priority Data**
 - Sep. 25, 2015 (JP) 2015-021116
 - Sep. 25, 2015 (JP) 2015-021123
- (51) **LOC (10) Cl.** **13-03**
- (52) **U.S. Cl.**
USPC **D13/156**
- (58) **Field of Classification Search**
USPC D13/123, 154, 155, 156, 184, 199;
D8/349, 353, 356; D9/434, 435, 439;
D23/386; 174/50, 66, 68.1, 135, 153 A;
439/445, 447, 535
CPC H02G 3/00; H02G 3/04; H02G 3/08;
H02G 3/0418; H02G 3/0425; H02G 3/0456;
H02G 3/0487; H02G 3/045; H02G 3/0431;
H02G 3/0608; B60R 16/0215
See application file for complete search history.

- (56) **References Cited**
U.S. PATENT DOCUMENTS
 - 3,636,984 A 1/1972 Rauhauser
 - 4,077,434 A 3/1978 Sieckert et al.
 - D270,574 S 9/1983 Black
 - 5,024,251 A 6/1991 Chapman
 - 5,203,129 A 4/1993 Johnson
 - 5,332,866 A 7/1994 Sawamura
 - 5,597,980 A * 1/1997 Weber H02G 3/0418
123/143 C

- D409,896 S * 5/1999 Kaplan D8/356
- D415,482 S 10/1999 Jolson
- 6,037,543 A 3/2000 Nicoli et al.
- 6,234,429 B1 * 5/2001 Yang B60R 16/0215
248/68.1
- 7,017,615 B2 3/2006 Suzuki et al.
- 7,214,879 B1 5/2007 Suzuki et al.
- D602,764 S * 10/2009 Pae D8/356
- D611,326 S 3/2010 Alaniz et al.
- 7,687,713 B2 3/2010 VanderVelde et al.
- 7,763,800 B2 * 7/2010 Lesniak H02G 3/30
174/480
- 7,825,339 B2 11/2010 Suzuki
- D635,935 S * 4/2011 Donowho D13/155

(Continued)

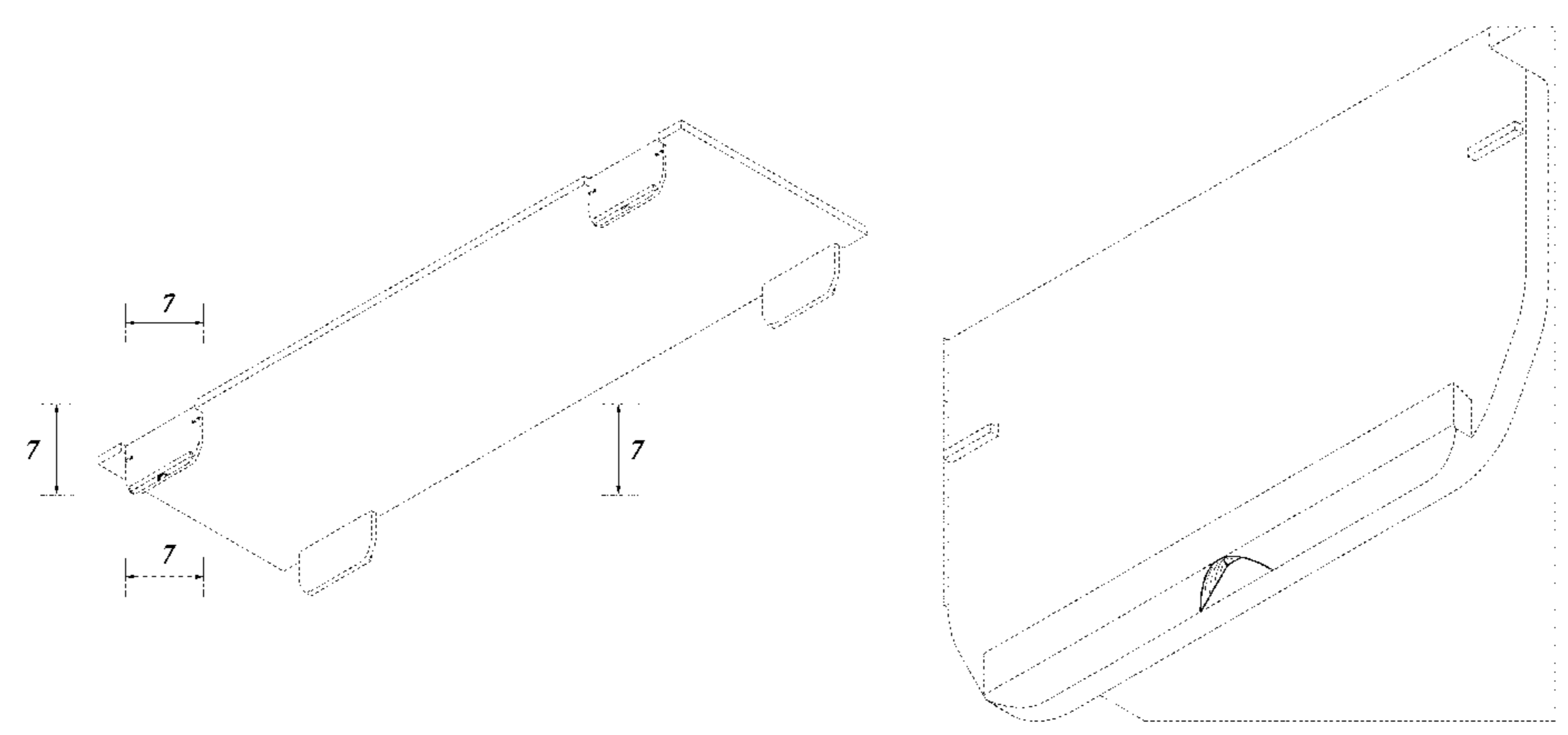
Primary Examiner — Derrick Holland
(74) *Attorney, Agent, or Firm* — Caesar Rivise, PC

(57) **CLAIM**
The ornamental design for a wire harness protector, as shown and described.

DESCRIPTION

FIG. 1 is a front, bottom, and right side perspective view of a wire harness protector showing my new design;
 FIG. 2 is a front view thereof;
 FIG. 3 is a rear view thereof;
 FIG. 4 is a top plan view thereof;
 FIG. 5 is a bottom plan view thereof;
 FIG. 6 is a right side view thereof; a left side view being an identical image of FIG. 6;
 FIG. 7 is an enlarged view of the portion indicated by lines 7-7 in FIG. 1;
 FIG. 8 is an enlarged view of the portion indicated by lines 8-8 in FIG. 2;
 FIG. 9 is an enlarged view of the portion indicated by lines 9-9 in FIG. 5; and,
 FIG. 10 is a cross-sectional view taken along line 10-10 in FIG. 2, of the portion indicated by lines 9-9 in FIG. 5.
 The features shown in broken lines in the drawings depict environmental subject matter only and form no part of the claimed design.

1 Claim, 10 Drawing Sheets



(56)

References Cited

U.S. PATENT DOCUMENTS

D638,687 S 5/2011 Minkley et al.
7,964,796 B2 6/2011 Suzuki
8,119,913 B2 2/2012 Sonotsu
8,124,887 B2* 2/2012 Suzuki B60R 16/0215
174/481
8,188,368 B2 5/2012 Suzuki
8,575,487 B2 11/2013 Agusa

8,733,798 B2 5/2014 McCarthy et al.
2005/0103517 A1* 5/2005 Canepa H02G 3/045
174/68.3
2005/0217888 A1* 10/2005 Arai H02G 3/0487
174/72 A
2005/0241715 A1 11/2005 Suzuki et al.
2009/0090533 A1* 4/2009 Jones H02G 3/0456
174/95
2010/0193060 A1 8/2010 McCarthy et al.

* cited by examiner

FIG. 1

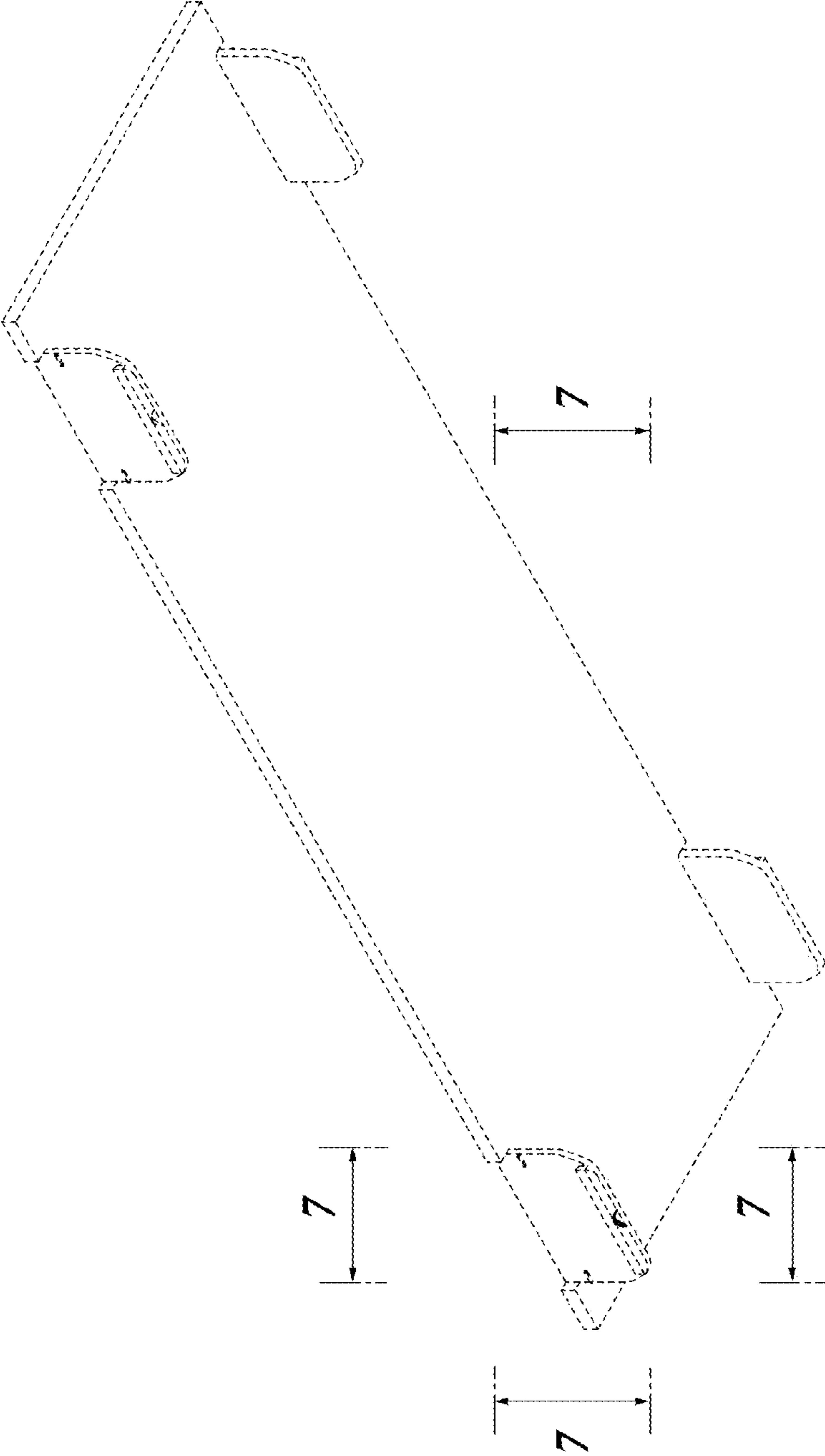


FIG. 2

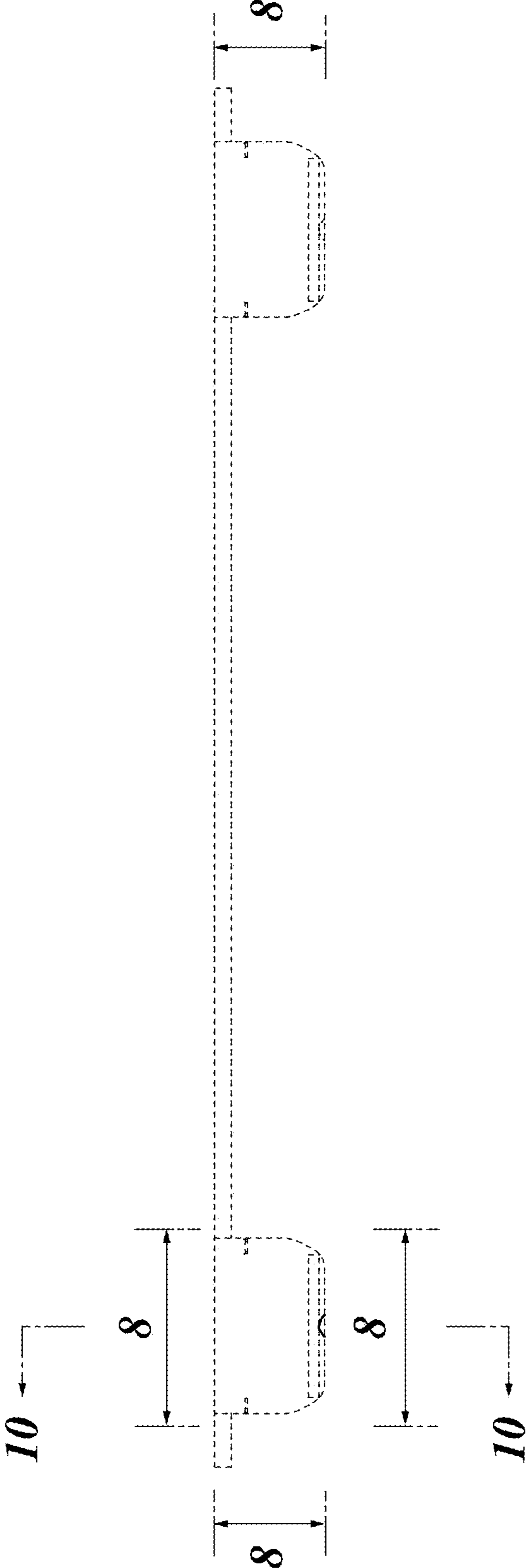


FIG. 3

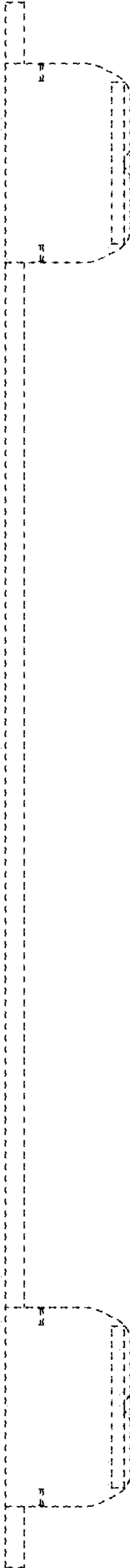


FIG. 4

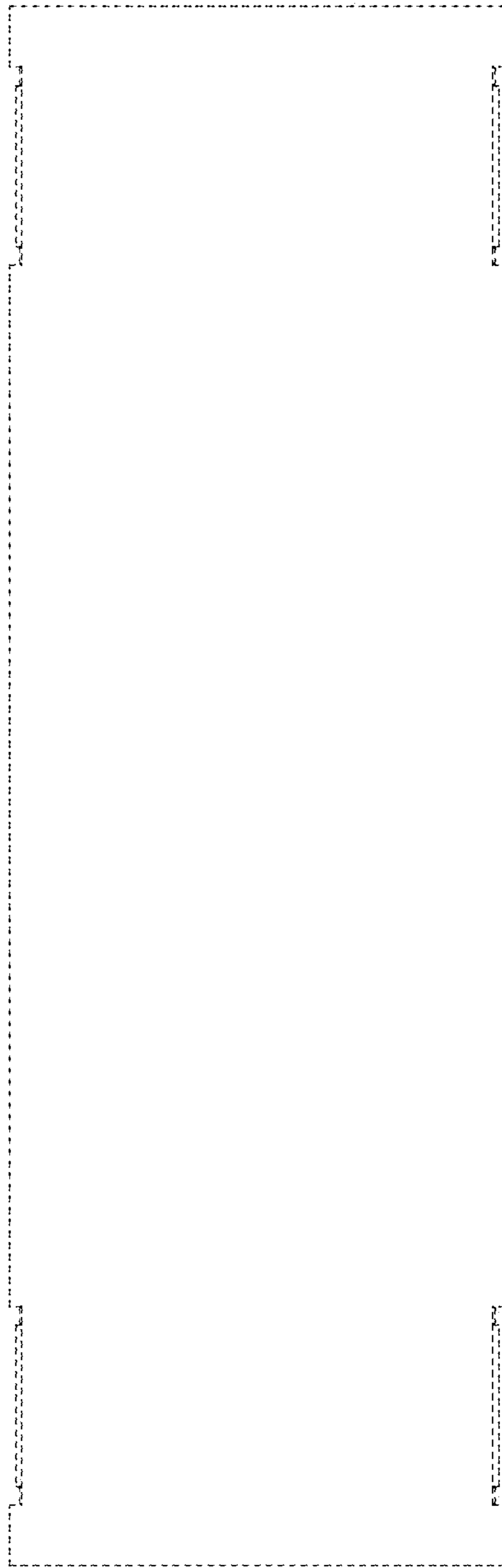


FIG. 5

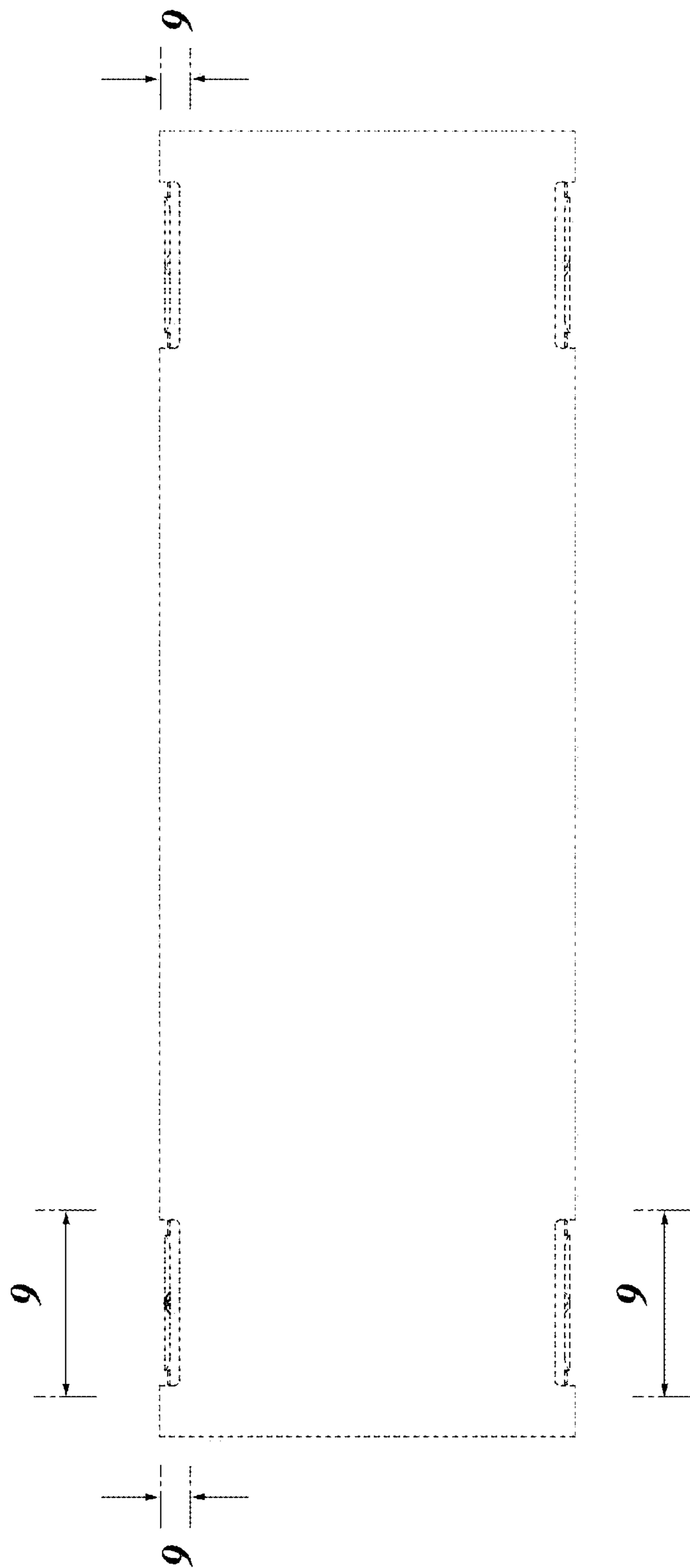


FIG. 6

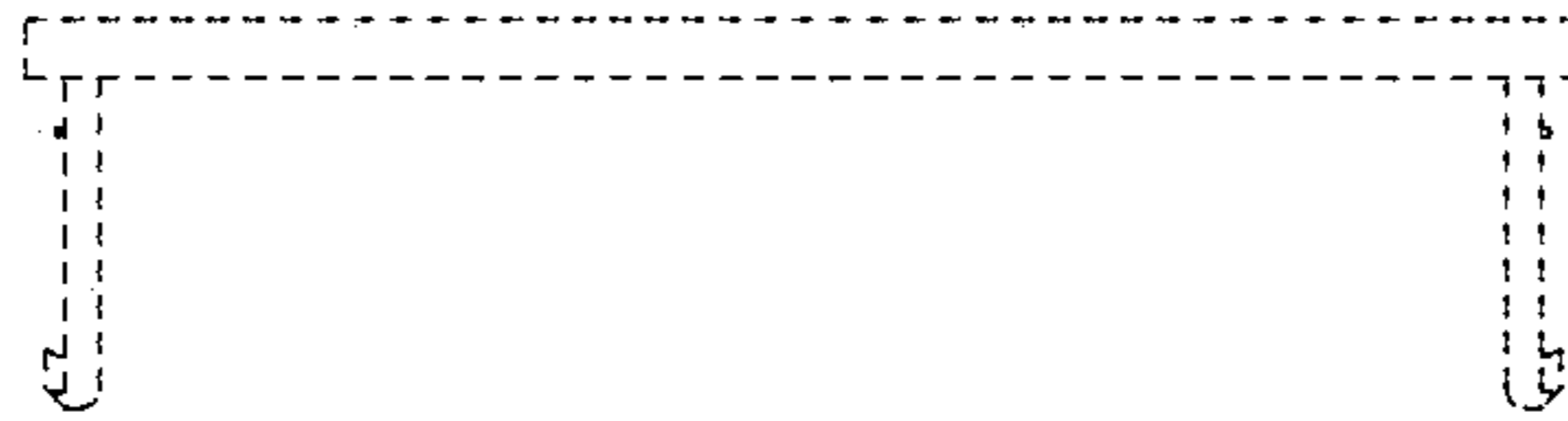


FIG. 7

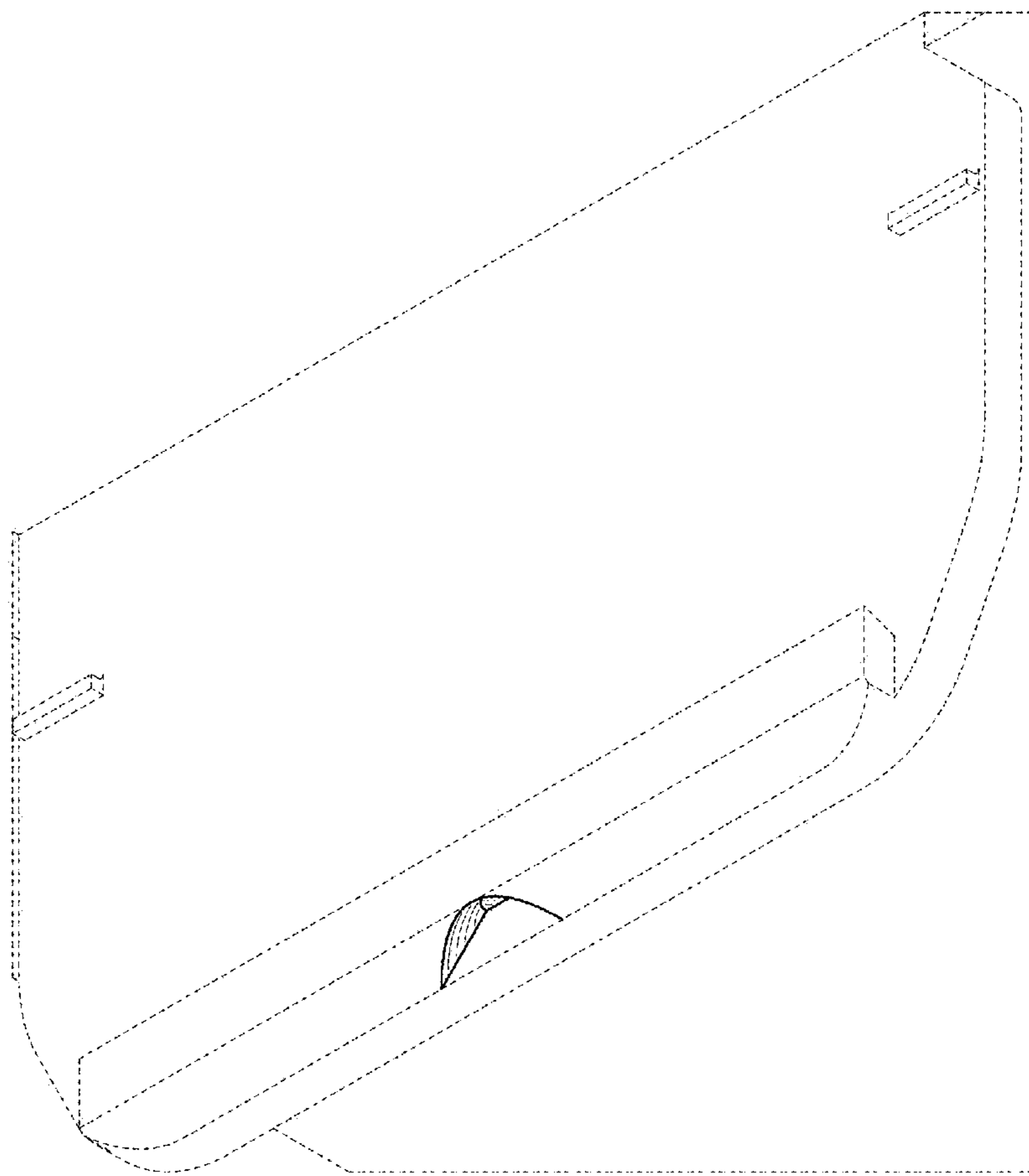


FIG. 8

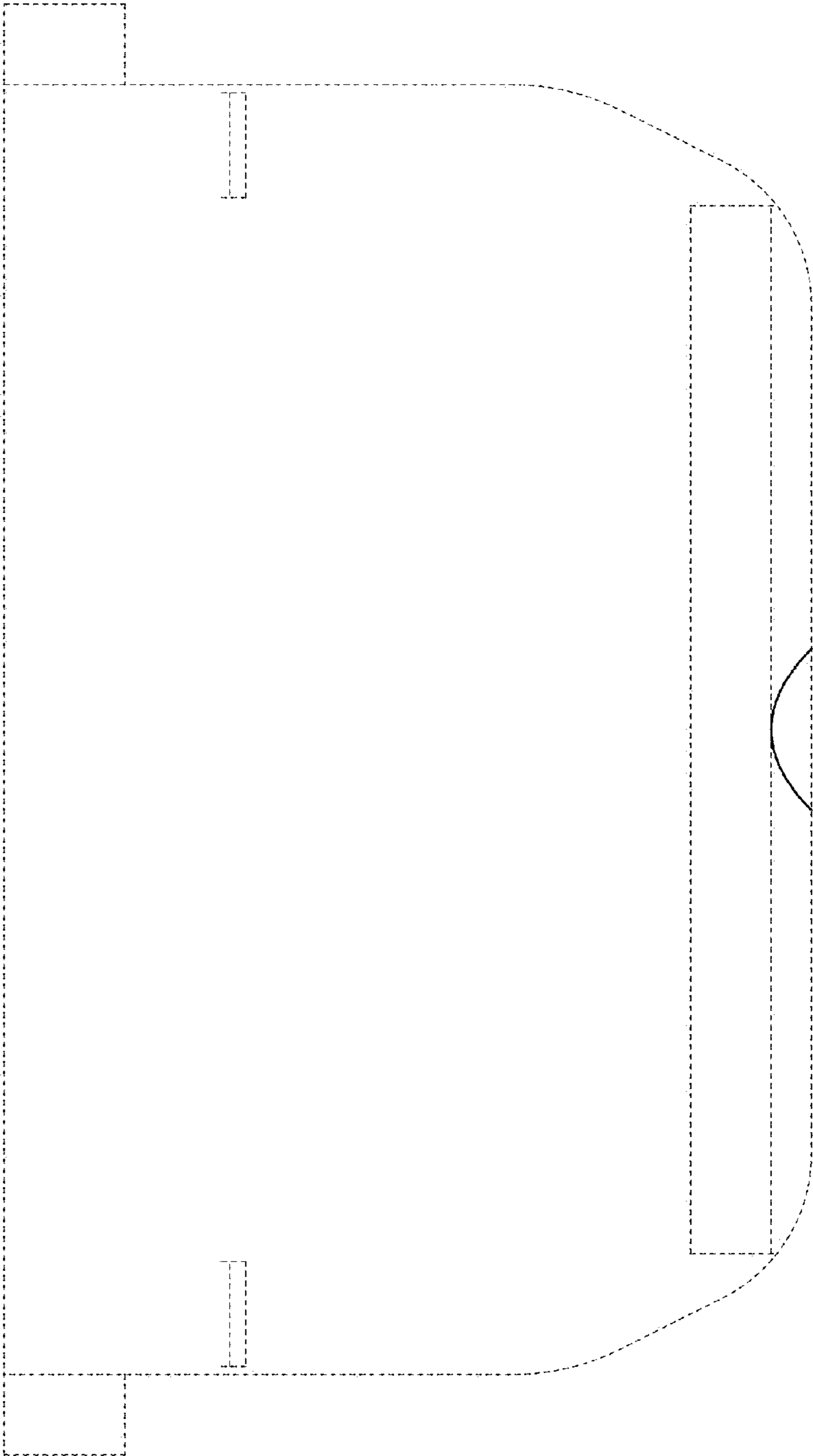


FIG. 9

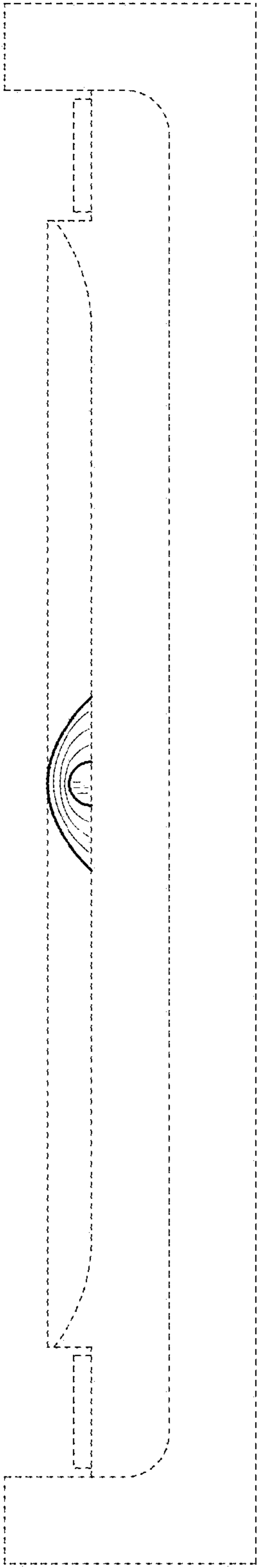


FIG. 10

