



US00D761208S

(12) **United States Design Patent**
Wolff et al.

(10) **Patent No.:** **US D761,208 S**
(45) **Date of Patent:** **** Jul. 12, 2016**

(54) **DOOR GASKET**

(71) Applicant: **General Electric Company,**
Schenectady, NY (US)

(72) Inventors: **Jeffrey John Wolff,** Lawrence Park, PA
(US); **Mark Allen Murphy,** Erie, PA
(US)

(73) Assignee: **General Electric Company,**
Schenectady, NY (US)

(**) Term: **14 Years**

(21) Appl. No.: **29/507,618**

(22) Filed: **Oct. 29, 2014**

(51) **LOC (10) Cl.** **13-03**

(52) **U.S. Cl.**
USPC **D13/152**

(58) **Field of Classification Search**
USPC D13/152-154, 139.1-139.8; 181/150;
174/562, 58; D8/350
CPC H04R 1/026; H02G 3/086; H02G 3/121
See application file for complete search history.

(56) **References Cited**

U.S. PATENT DOCUMENTS

7,032,708 B2 * 4/2006 Popken H04R 1/026
181/150
D588,067 S * 3/2009 Seropian D13/152

7,607,553 B2 * 10/2009 Weber H02G 3/086
174/562
D668,932 S * 10/2012 Zhang D8/353
D688,117 S * 8/2013 Barber D8/353
8,569,619 B2 * 10/2013 Gretz H02G 3/121
174/58
D711,834 S 8/2014 Jones
D729,612 S * 5/2015 de Peralta D8/350

* cited by examiner

Primary Examiner — Holly Baynham

Assistant Examiner — Rhea Shields

(74) *Attorney, Agent, or Firm* — GE Global Patent Operation

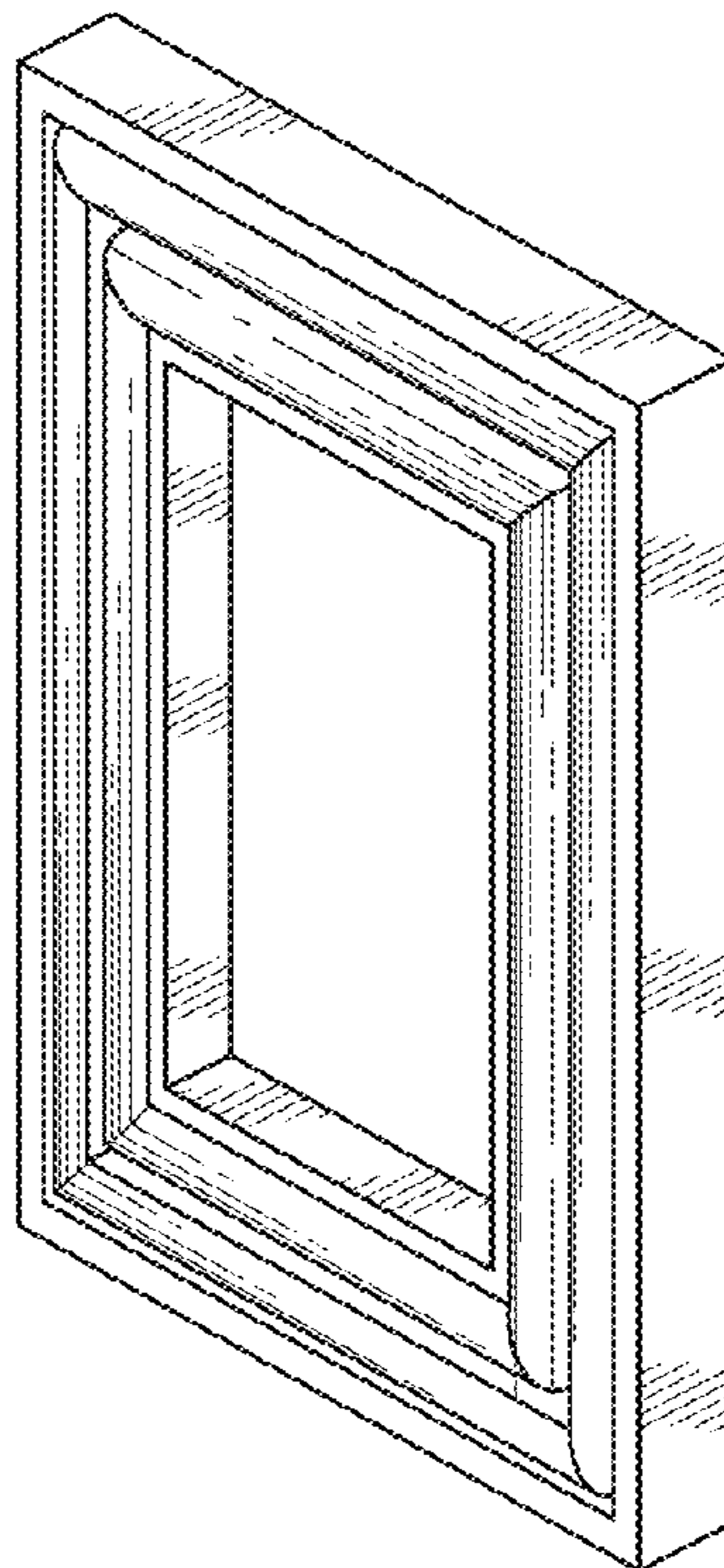
(57) **CLAIM**

The ornamental design for a door gasket, as shown and described.

DESCRIPTION

FIG. 1 is a perspective view of a door gasket, showing my new design;
FIG. 2 is a front view thereof;
FIG. 3 is a rear view thereof;
FIG. 4 is a side view thereof, the opposite side being identical;
FIG. 5 is a top plan view thereof, the bottom plan view being identical; and,
FIG. 6 is a cross-sectional view of 6-6.

1 Claim, 3 Drawing Sheets



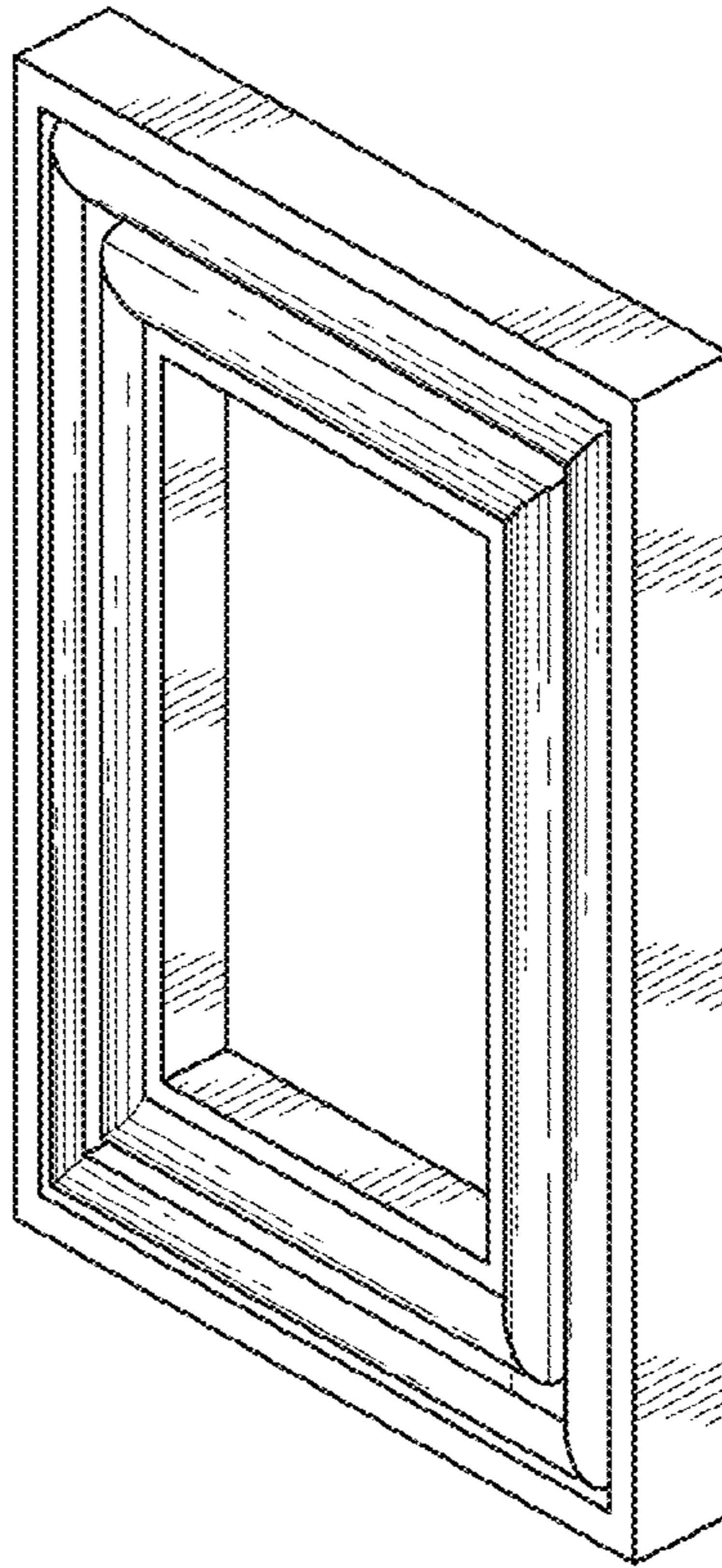


FIG. 1

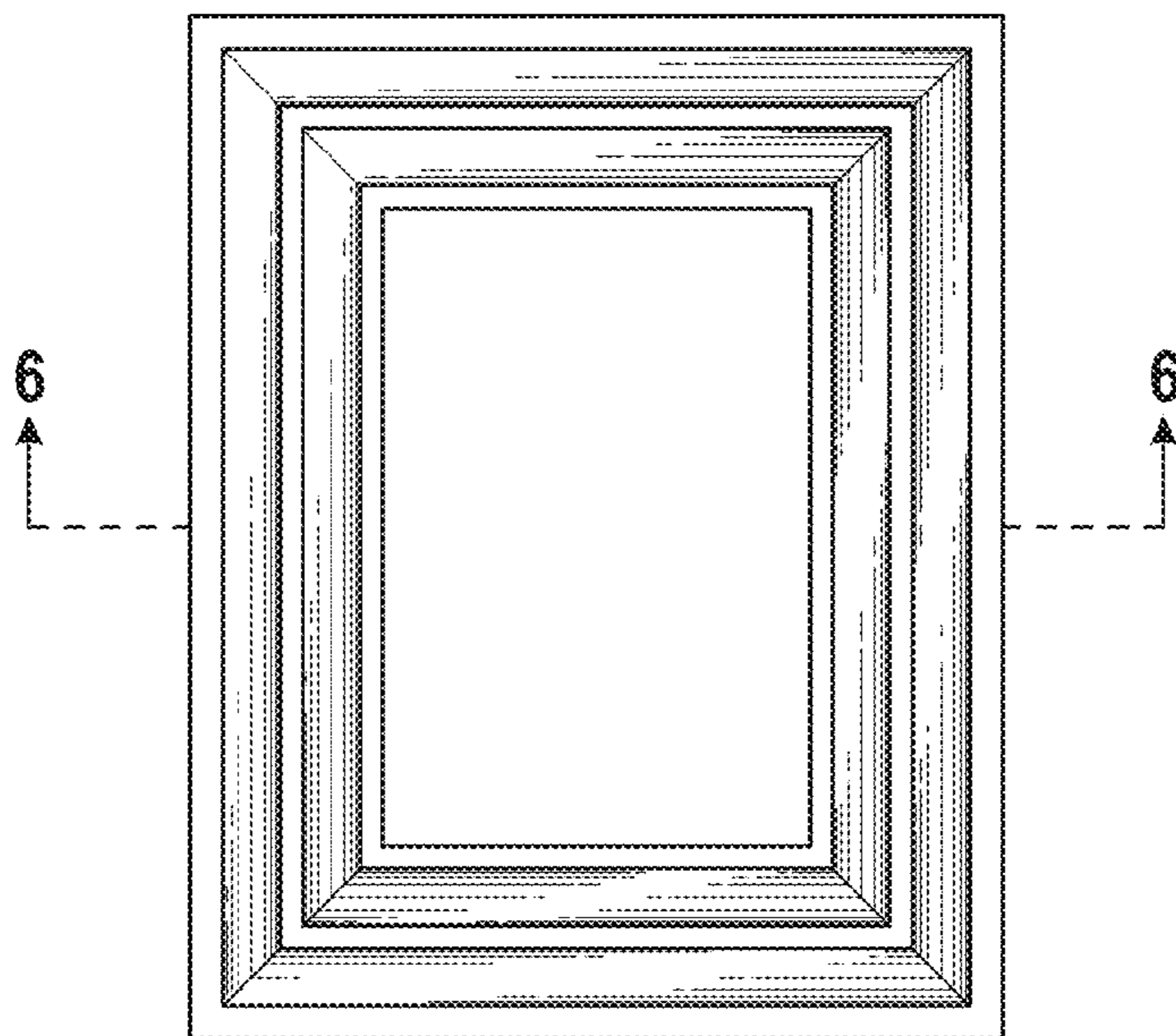


FIG. 2

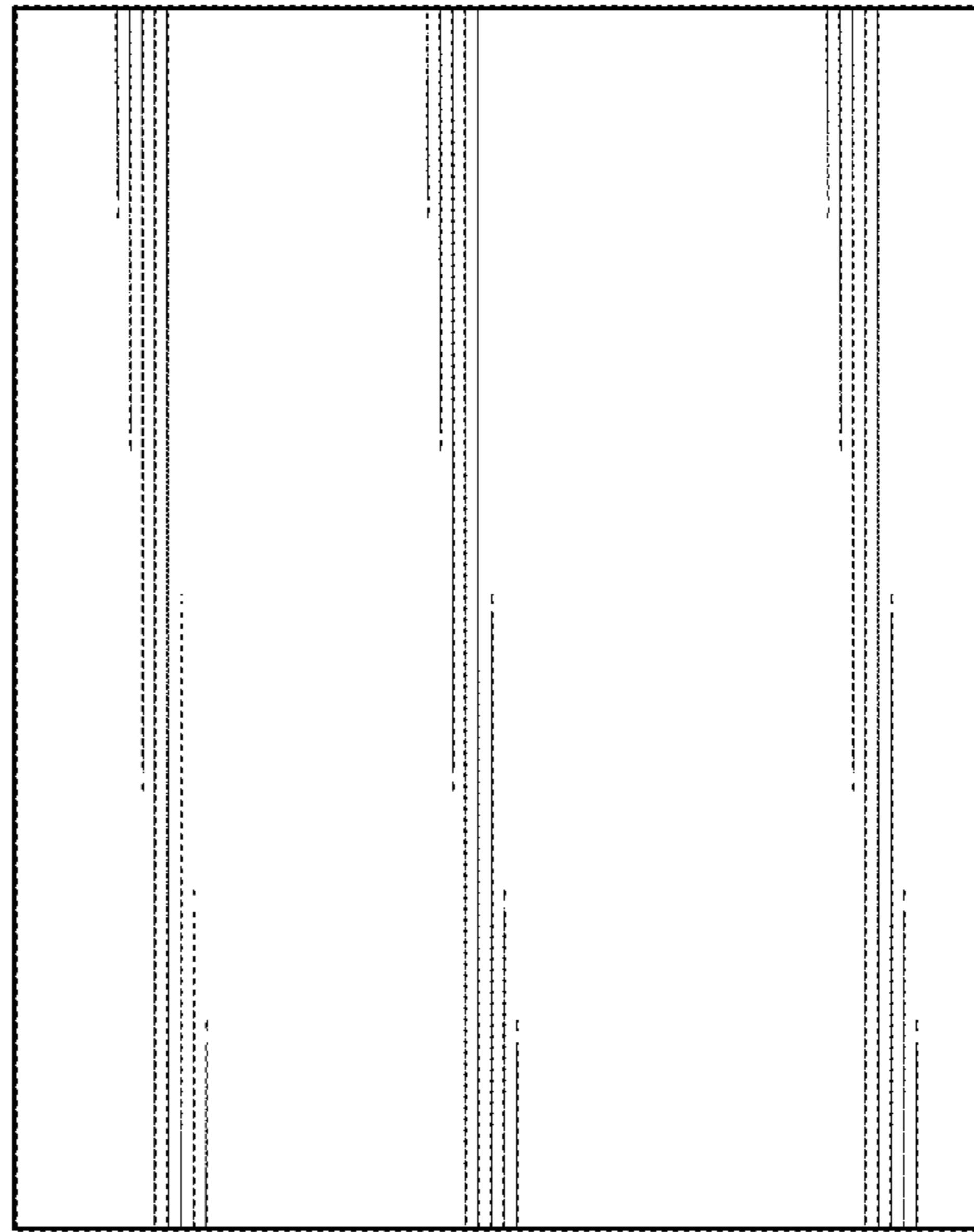


FIG. 3

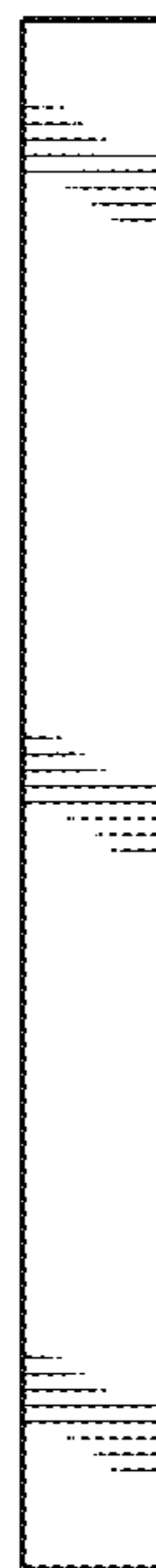


FIG. 4



FIG. 5



FIG. 6