



US00D761207S

(12) **United States Design Patent**
Ohsaka

(10) **Patent No.:** **US D761,207 S**
(45) **Date of Patent:** **** Jul. 12, 2016**

(54) **ELECTRICAL CONNECTOR**

(71) Applicant: **DAI-ICHI SEIKO CO., LTD.**,
Kyoto-shi (JP)

(72) Inventor: **Junji Ohsaka**, Machida (JP)

(73) Assignee: **DAI-ICHI SEIKO CO., LTD.**,
Kyoto-shi (JP)

(**) Term: **15 Years**

(21) Appl. No.: **29/528,608**

(22) Filed: **May 29, 2015**

(30) **Foreign Application Priority Data**

Dec. 3, 2014 (JP) 2014-026972

(51) **LOC (10) Cl.** **13-03**

(52) **U.S. Cl.**
USPC **D13/147**

(58) **Field of Classification Search**
USPC D13/118, 120, 133, 146, 147, 154, 184,
D13/199
See application file for complete search history.

(56) **References Cited**

U.S. PATENT DOCUMENTS

D642,534 S * 8/2011 Nishimura D13/147
D684,121 S * 6/2013 Miyazaki D13/147
8,485,832 B2 * 7/2013 Mashiyama H01R 12/73
439/74
D722,568 S * 2/2015 Ueda D13/147
D739,825 S * 9/2015 Omodachi D13/147

FOREIGN PATENT DOCUMENTS

JP 1468314 5/2013
JP 1468316 4/2014
JP 1496165 4/2014
JP 1496166 4/2014

OTHER PUBLICATIONS

U.S. Appl. No. 29/528,651, filed May 29, 2015, Ohsaka.
U.S. Appl. No. 29/528,663, filed May 29, 2015, Ohsaka.
U.S. Appl. No. 29/528,632, filed May 29, 2015, Ohsaka.

* cited by examiner

Primary Examiner — Daniel Bui

(74) *Attorney, Agent, or Firm* — Oblon, McClelland, Maier
& Neustadt, L.L.P.

(57) **CLAIM**

I claim the ornamental design for an electrical connector, as shown and described.

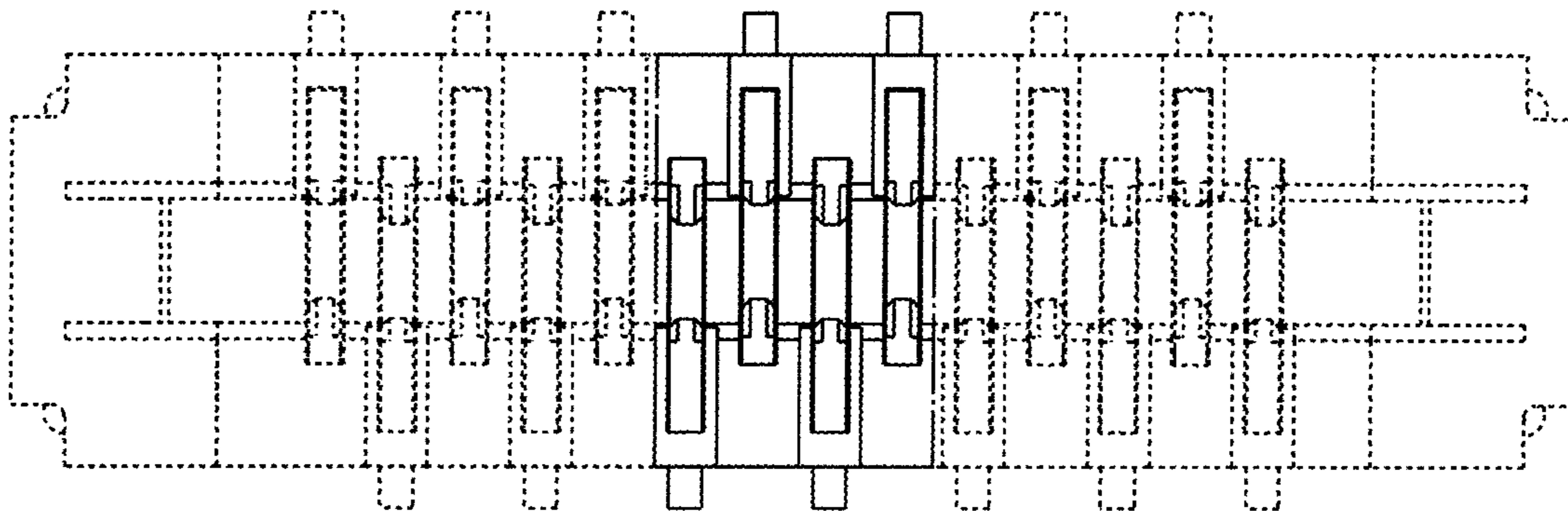
DESCRIPTION

FIG. 1 is a top plan view of an electrical connector showing my new design;
FIG. 2 is a front elevational view thereof;
FIG. 3 is a bottom plan view thereof;
FIG. 4 is a rear elevational view thereof;
FIG. 5 is a right side elevational view thereof;
FIG. 6 is a front, top, and left side perspective view thereof;
FIG. 7 is a vertical cross-sectional view taken along a line 7-7 of FIG. 2; and,
FIG. 8 is a vertical cross-sectional view taken along a line 8-8 of FIG. 2.

Herein, the right side elevational view is a mirror image of the left side elevational view.

In the drawing views, the even-broken line represents environment only and forms no part of the claimed design, the dash-dot broken line represents the boundary of the claimed design.

1 Claim, 8 Drawing Sheets



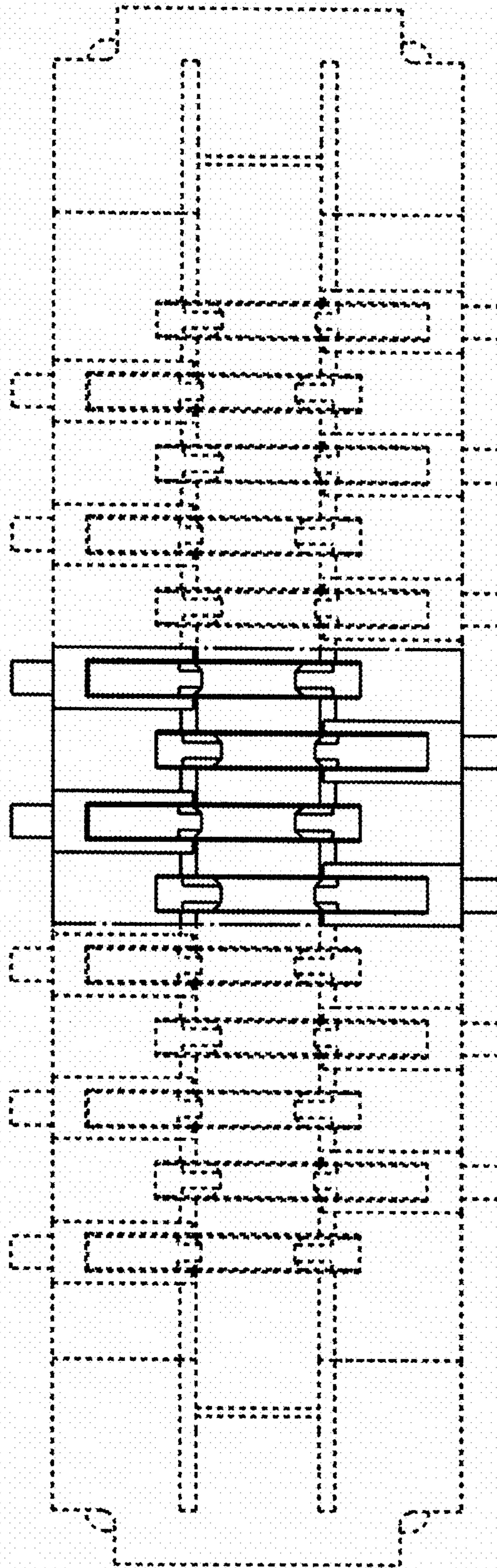


FIG. 1

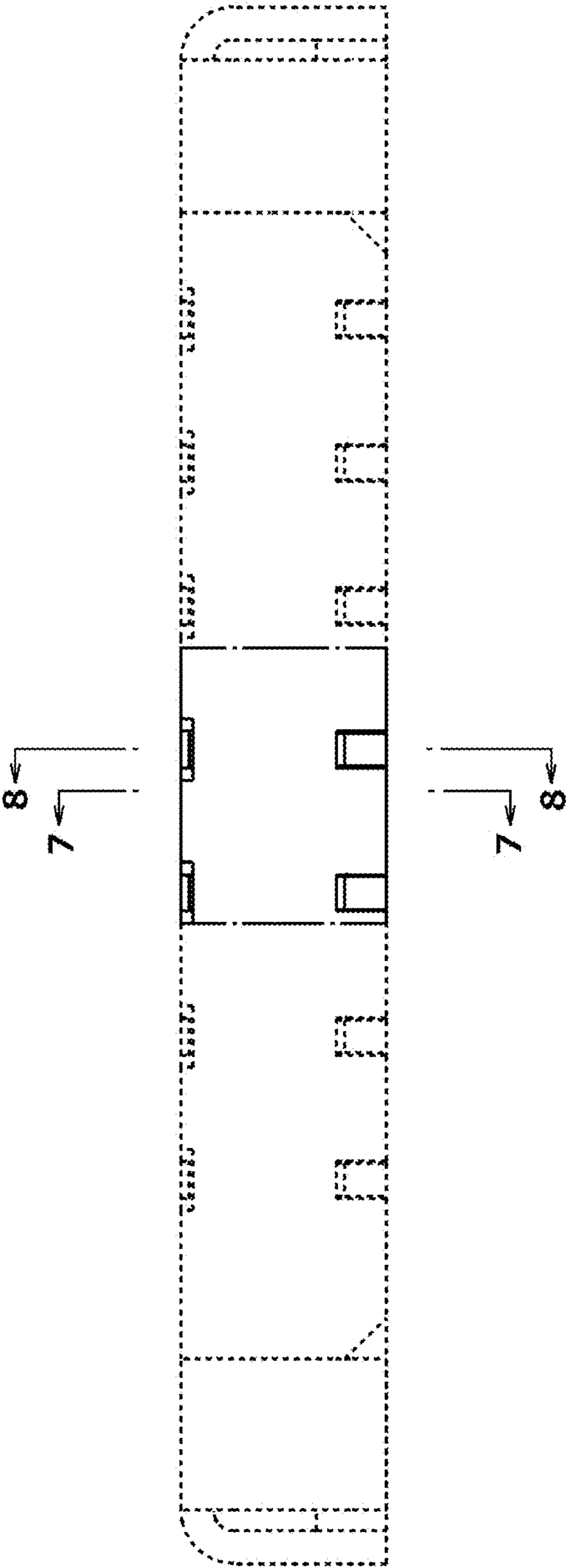


FIG.2

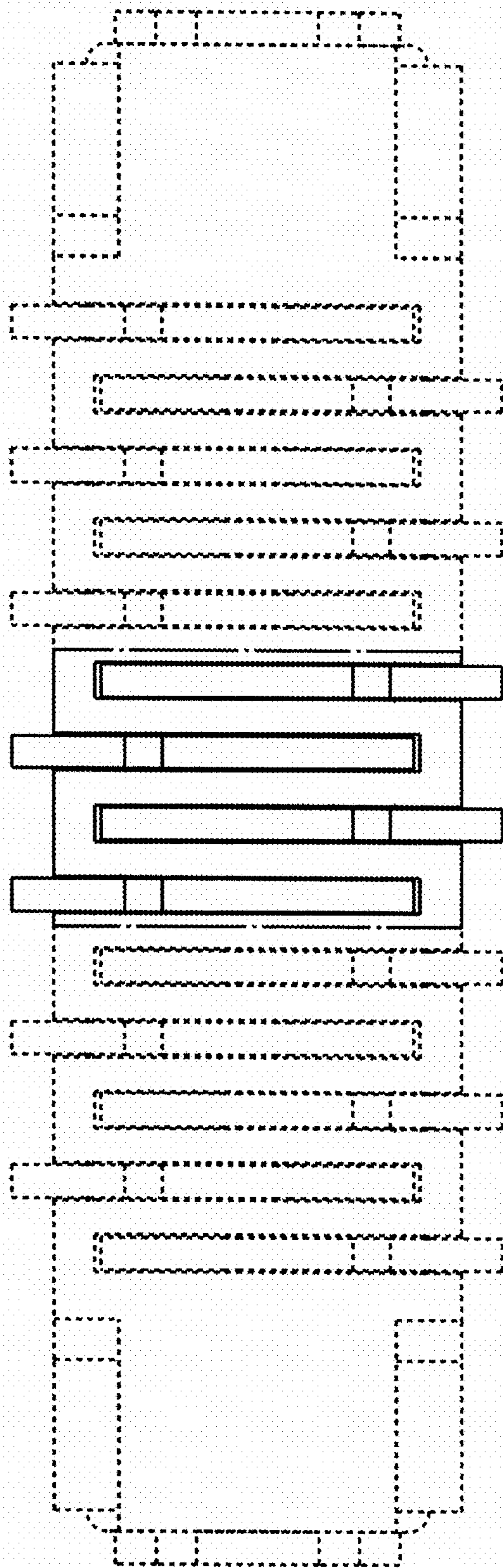


FIG.3

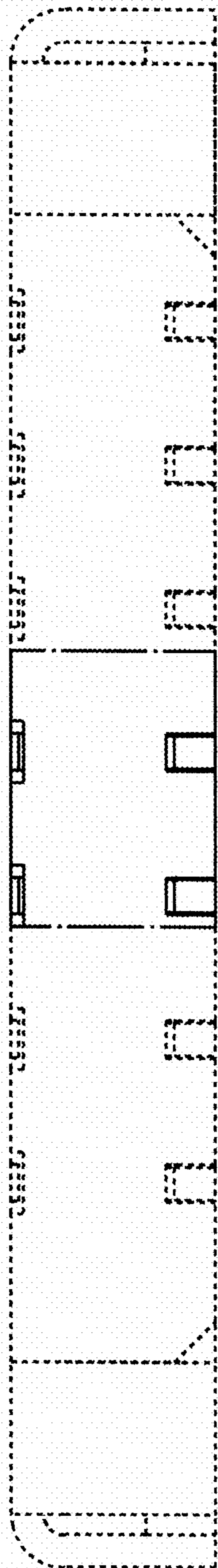


FIG.4

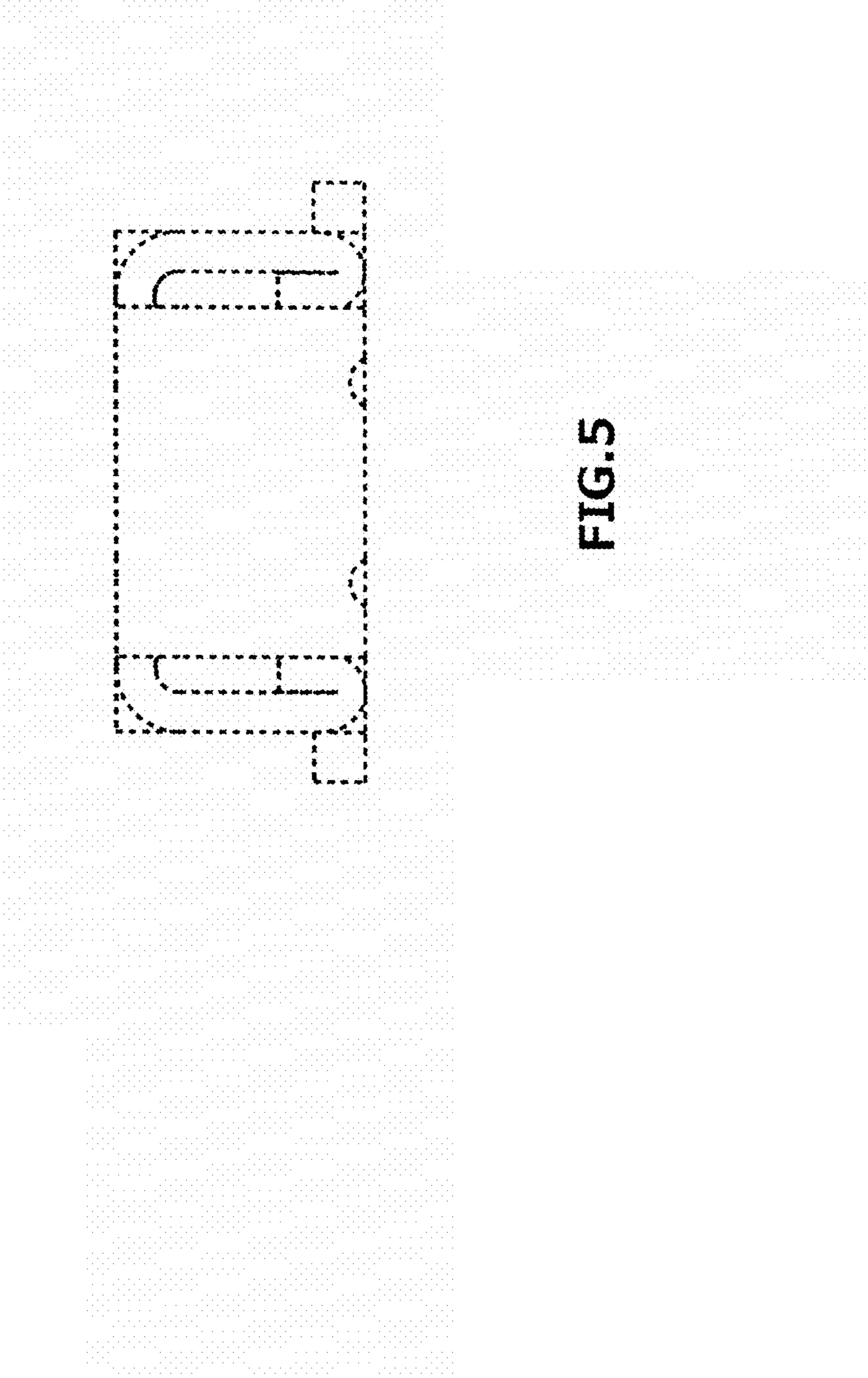


FIG. 5

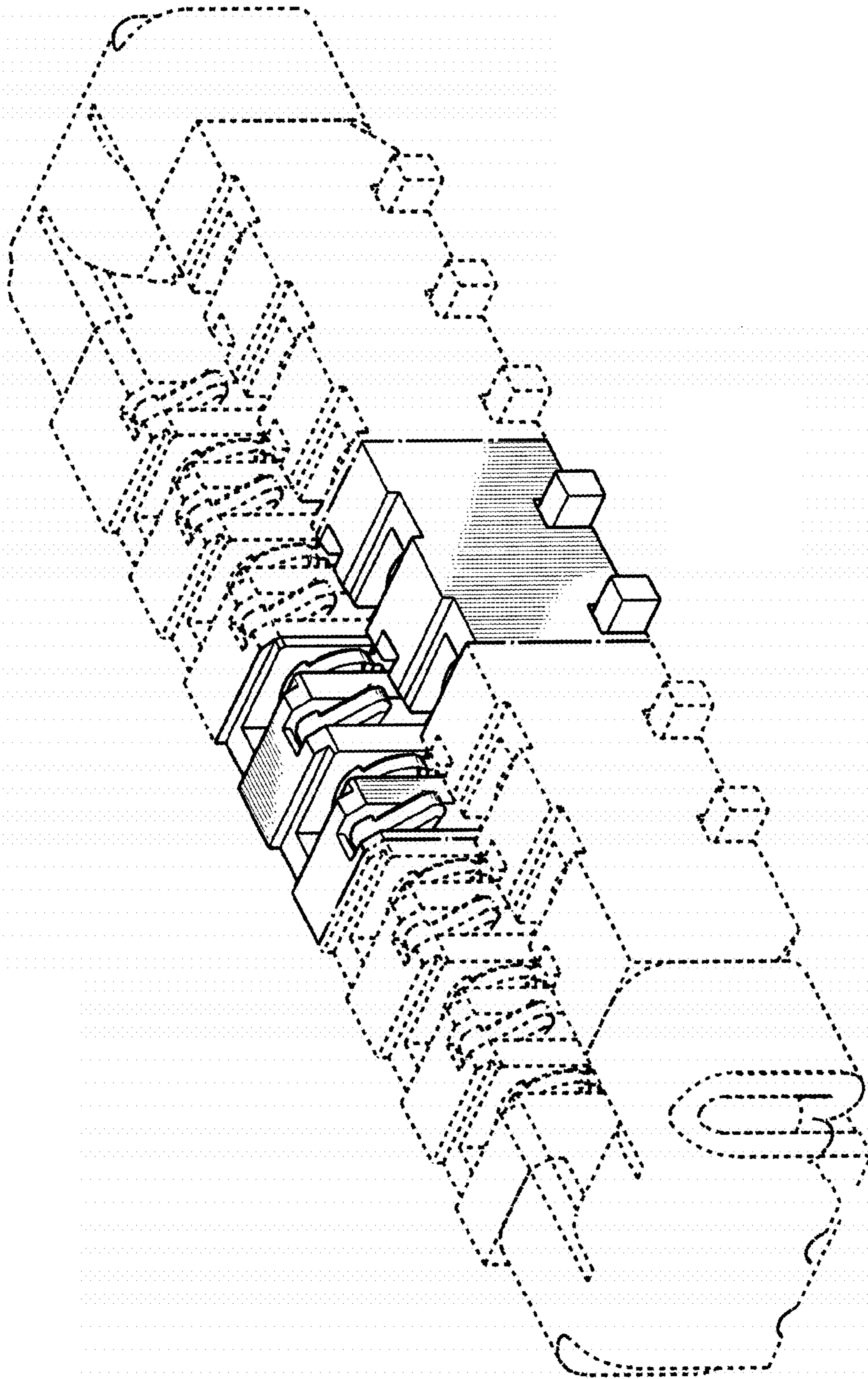
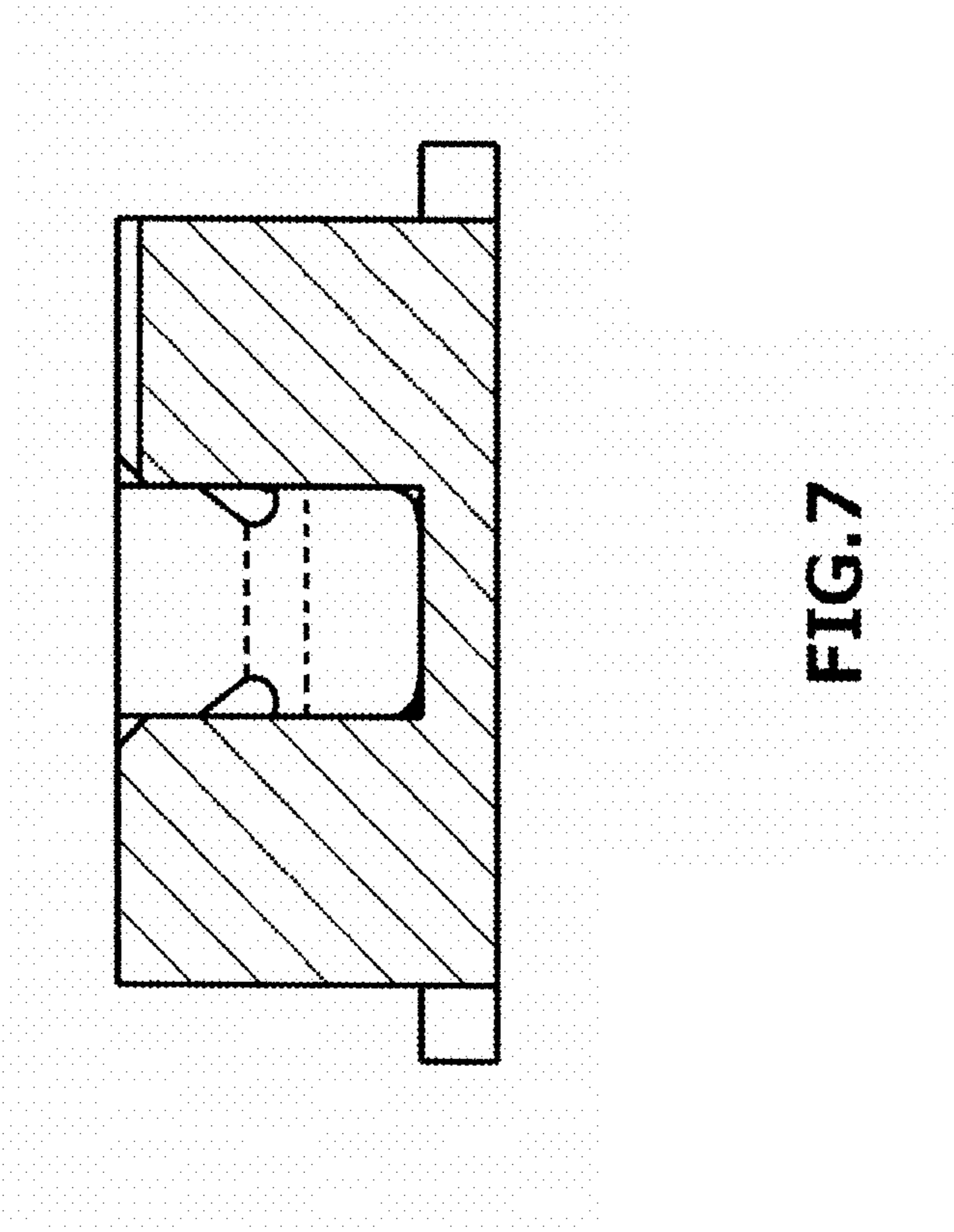


FIG.6



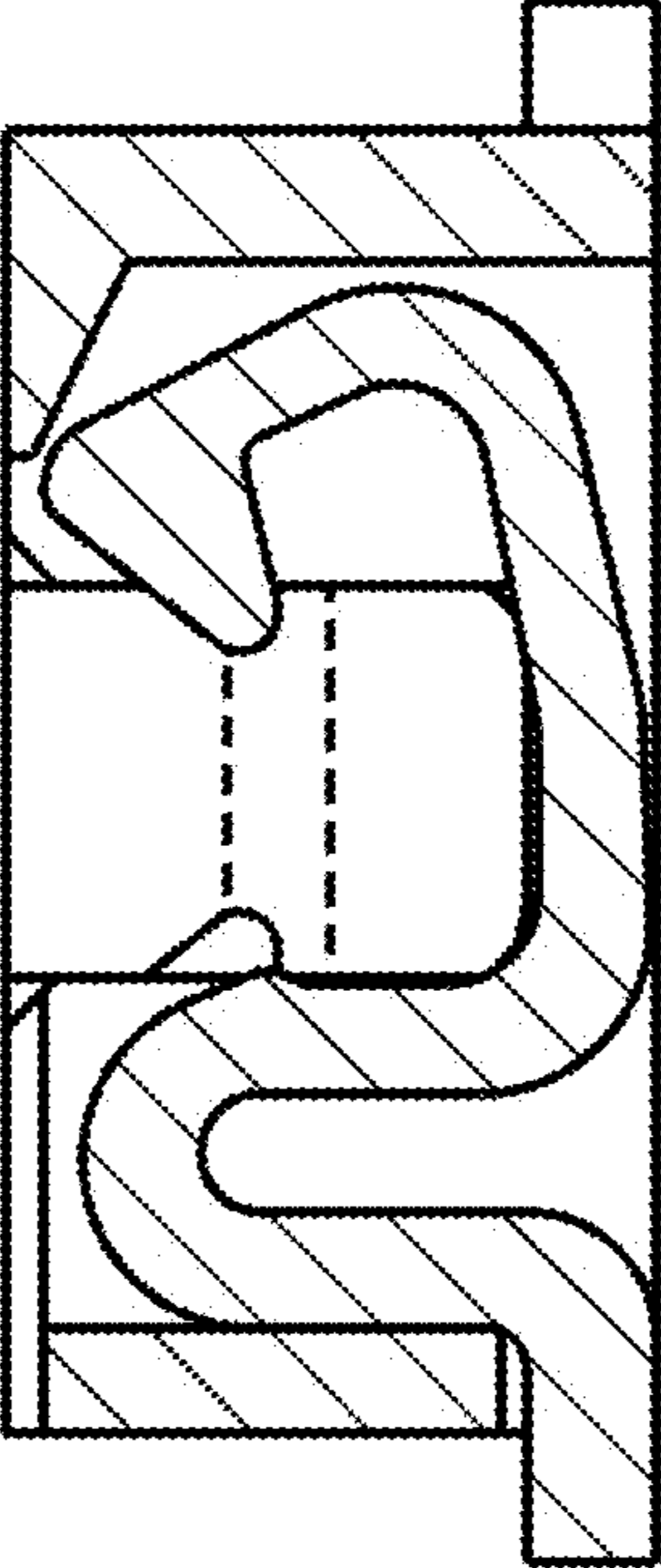


FIG. 8