



US00D761205S

(12) **United States Design Patent**
Zhu et al.

(10) **Patent No.:** **US D761,205 S**
(45) **Date of Patent:** **** Jul. 12, 2016**

- (54) **ELECTRICAL CONNECTOR**
- (71) Applicant: **HON HAI PRECISION INDUSTRY CO., LTD.**, New Taipei (TW)
- (72) Inventors: **Zhi-Hui Zhu**, Kunshan (CN); **Wen-Yi Hsieh**, New Taipei (TW)
- (73) Assignee: **FOXCONN INTERCONNECT TECHNOLOGY LIMITED**, Grand Cayman (KY)
- (**) Term: **14 Years**
- (21) Appl. No.: **29/496,878**
- (22) Filed: **Jul. 18, 2014**
- (51) **LOC (10) Cl.** **13-03**
- (52) **U.S. Cl.**
USPC **D13/133**
- (58) **Field of Classification Search**
USPC D13/110, 123, 129-134, 146, 147, 149, D13/152, 154, 156, 173, 178, 184, 199
CPC H01R 13/627; H01R 43/20; H01R 24/38; H01R 24/46; H01R 4/00; H01R 13/62; H01R 13/40; H01R 9/05; H01R 13/52; H01R 13/213; H01R 4/24; H01R 9/26; H01R 9/24; H01R 13/15; H01R 13/44; H01R 13/66; H01R 13/02; H01R 24/00
See application file for complete search history.

D533,835 S *	12/2006	Lee	D13/133
D534,868 S *	1/2007	Lee	D13/133
D536,667 S *	2/2007	Chine	D13/133
D539,740 S *	4/2007	Zhang	D13/133
D575,232 S *	8/2008	Chiang	D13/133
D618,174 S *	6/2010	Chiang	D13/133
D664,924 S *	8/2012	Zhang	D13/133
D672,716 S *	12/2012	Nagata	D13/133
2013/0109223 A1 *	5/2013	Yu	H01R 12/724 439/485

* cited by examiner

Primary Examiner — Thomas Johannes

Assistant Examiner — Shawn T Gingrich

(74) *Attorney, Agent, or Firm* — Wei Te Chung; Ming Chieh Chang

(57) **CLAIM**

The ornamental design for an electrical connector, as shown and described.

DESCRIPTION

FIG. 1 is a front, top and right side perspective view of an electrical connector showing our new design;
 FIG. 2 is a front elevational view thereof;
 FIG. 3 is a rear elevational view thereof;
 FIG. 4 is a left side elevational view thereof;
 FIG. 5 is a right side elevational view thereof;
 FIG. 6 is a top plan view thereof;
 FIG. 7 is a bottom plan view thereof; and,
 FIG. 8 is a cross-sectional view thereof along line 8-8 of FIG. 2.

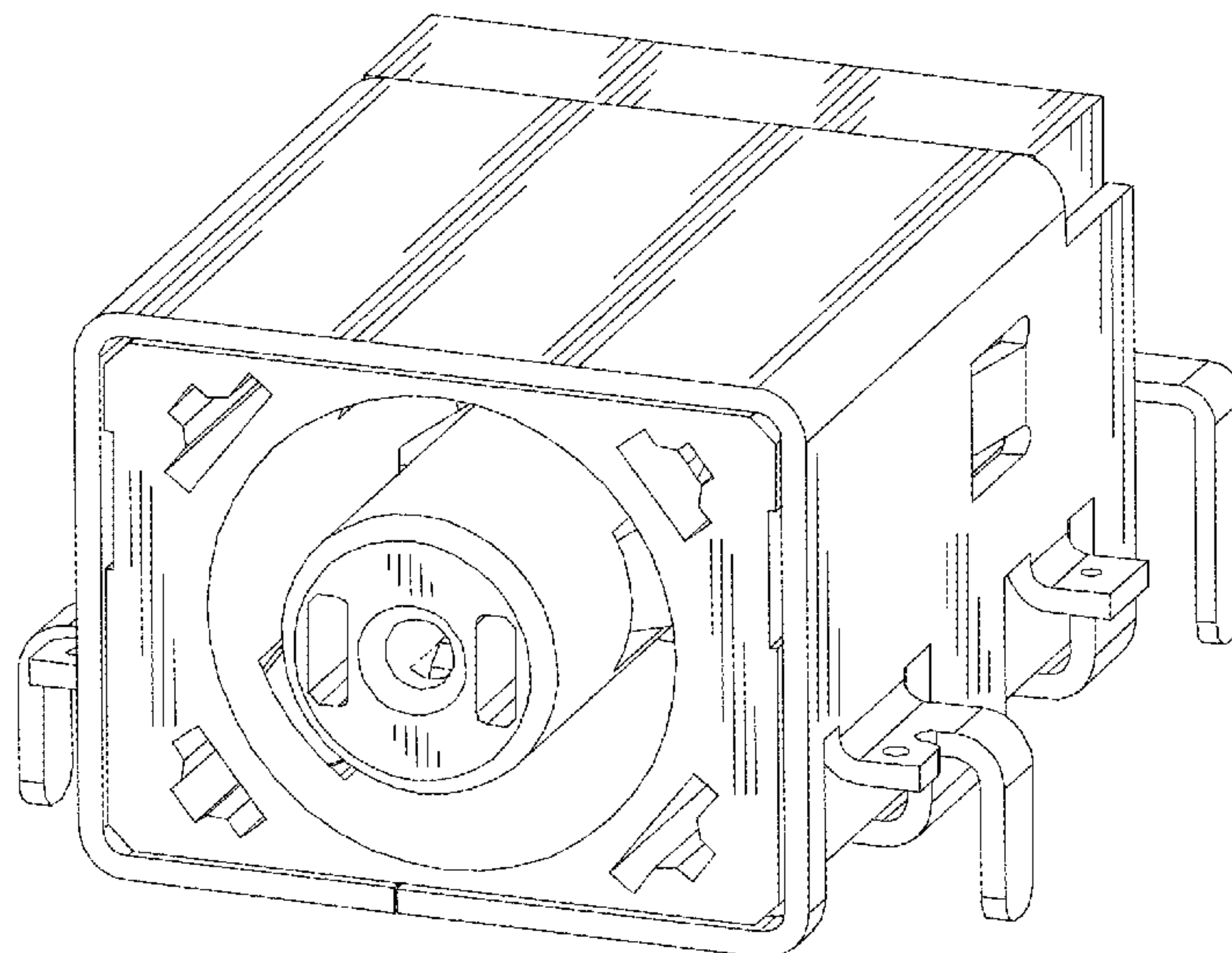
The broken line portion of the figure drawings is included to show portions of the article that form no part of the claimed design.

1 Claim, 8 Drawing Sheets

(56) **References Cited**

U.S. PATENT DOCUMENTS

D470,107 S *	2/2003	Li	D13/133
D508,894 S *	8/2005	Zhao	D13/133
D523,401 S *	6/2006	Wang	D13/154



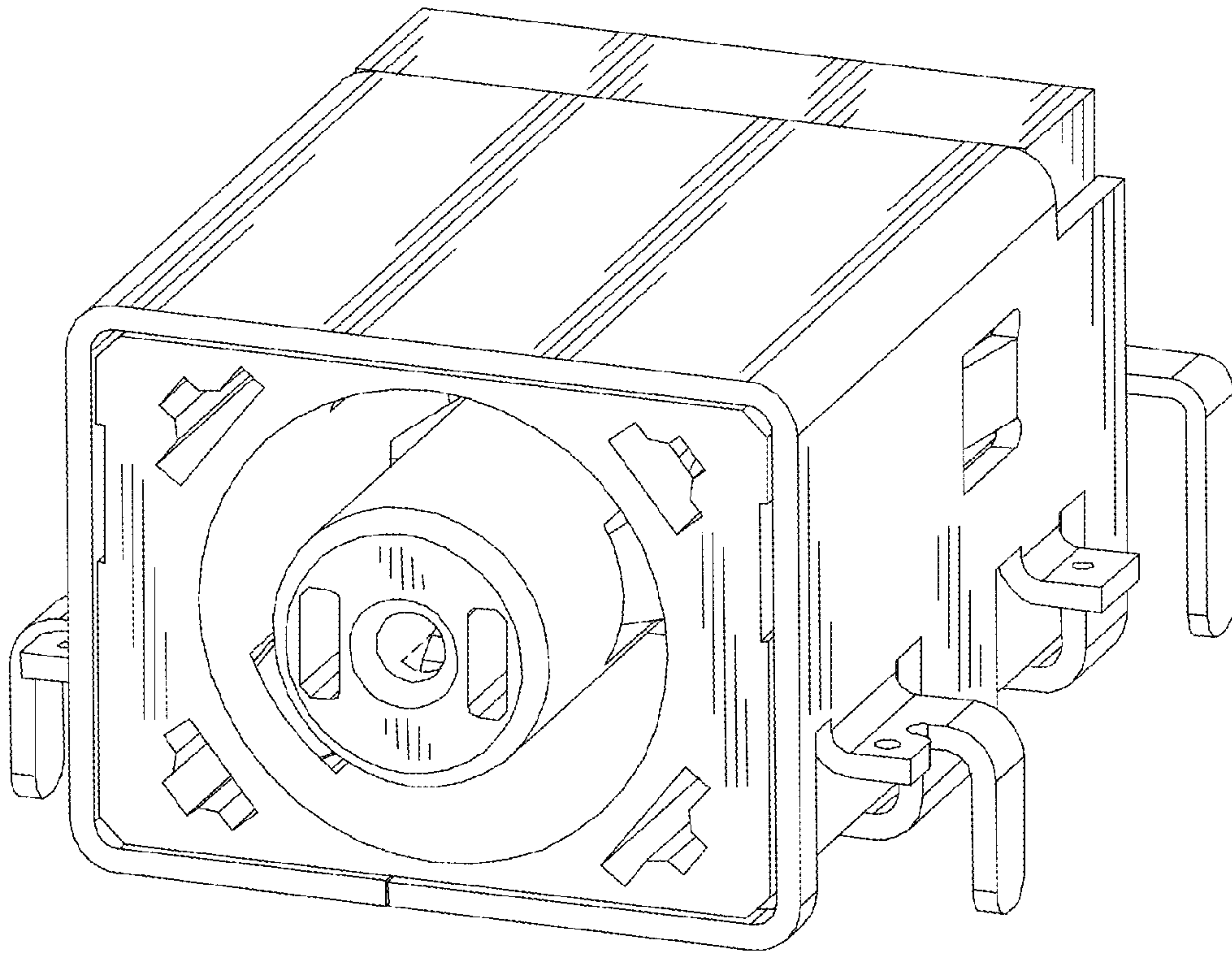


FIG. 1

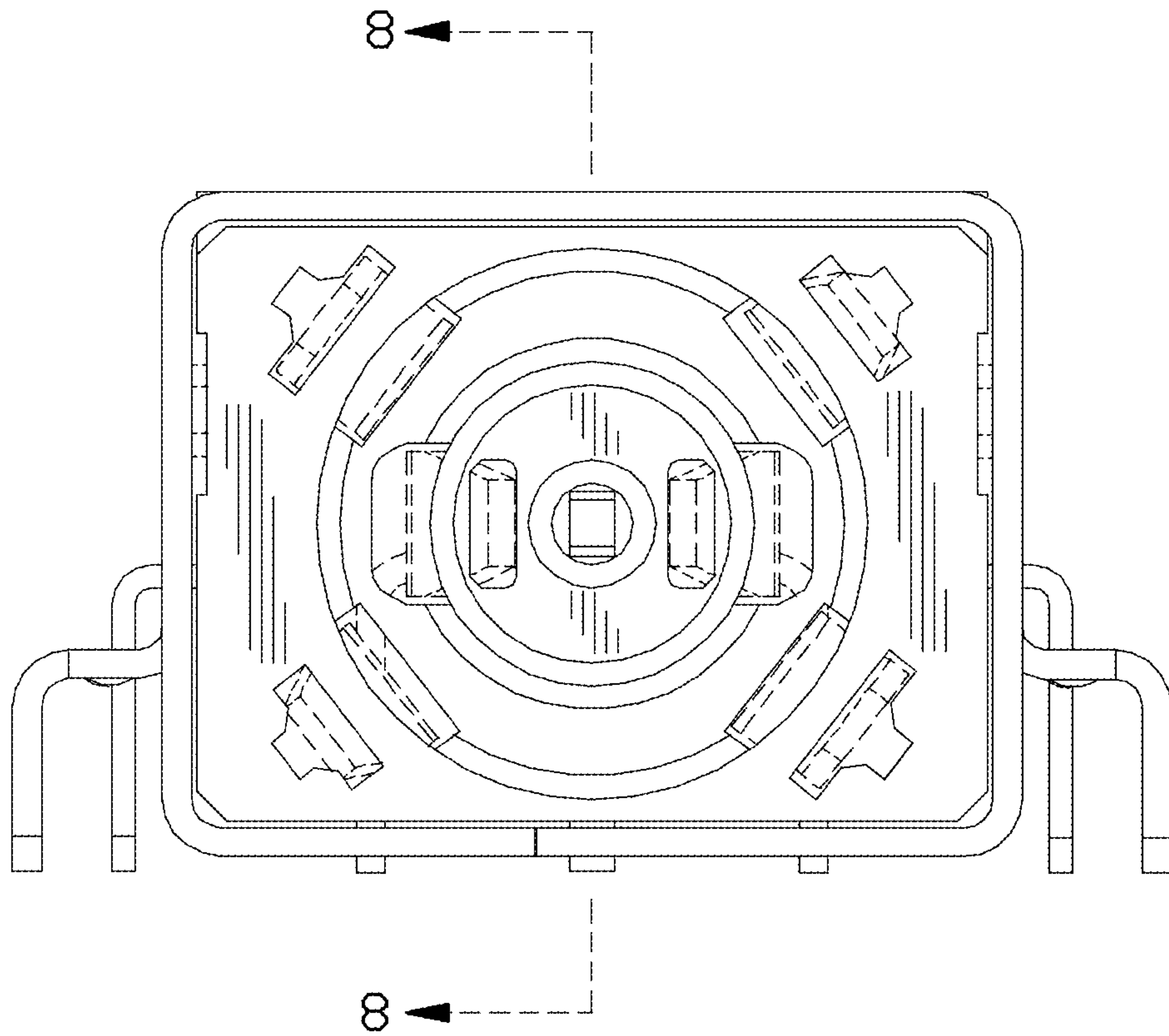


FIG. 2

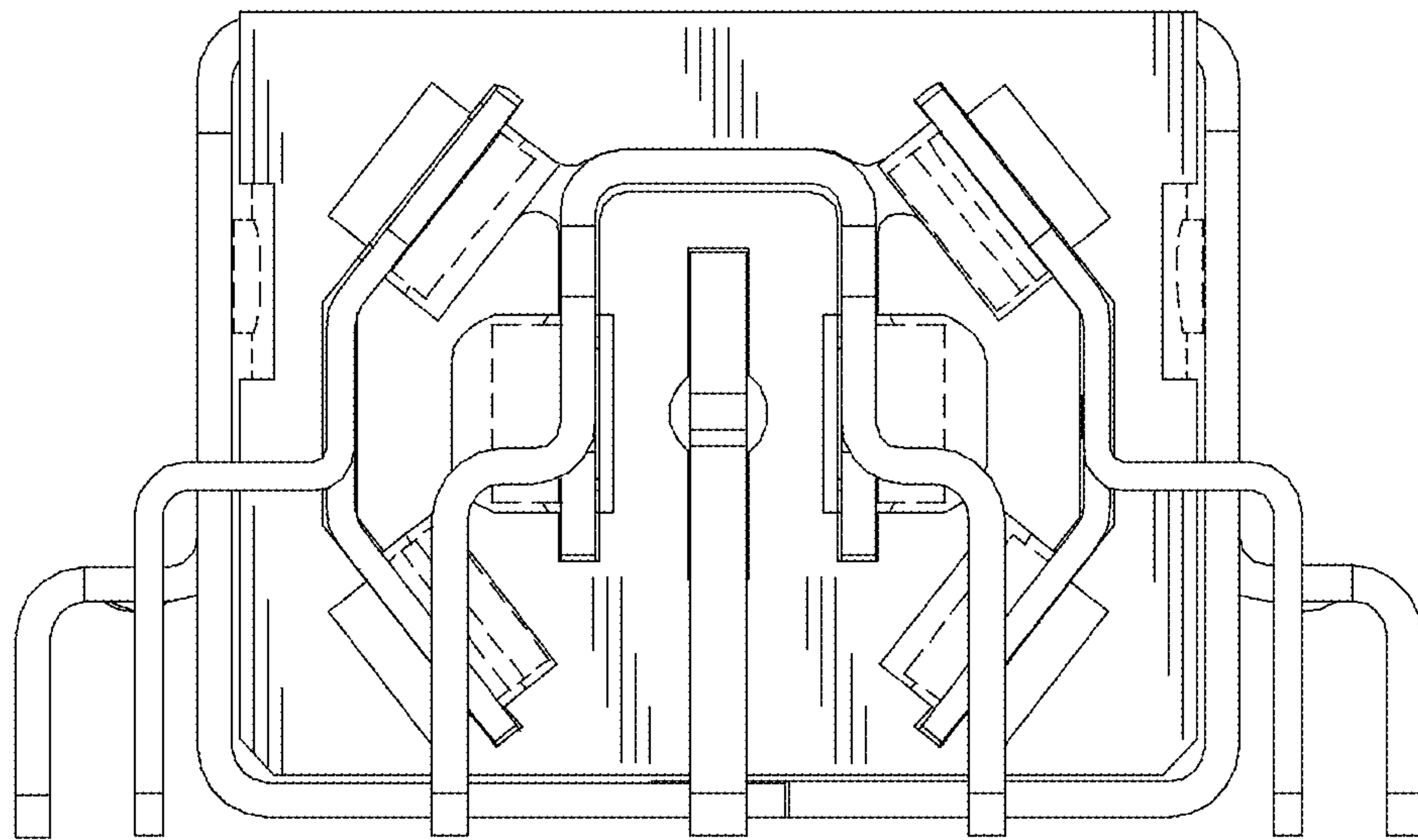


FIG. 3

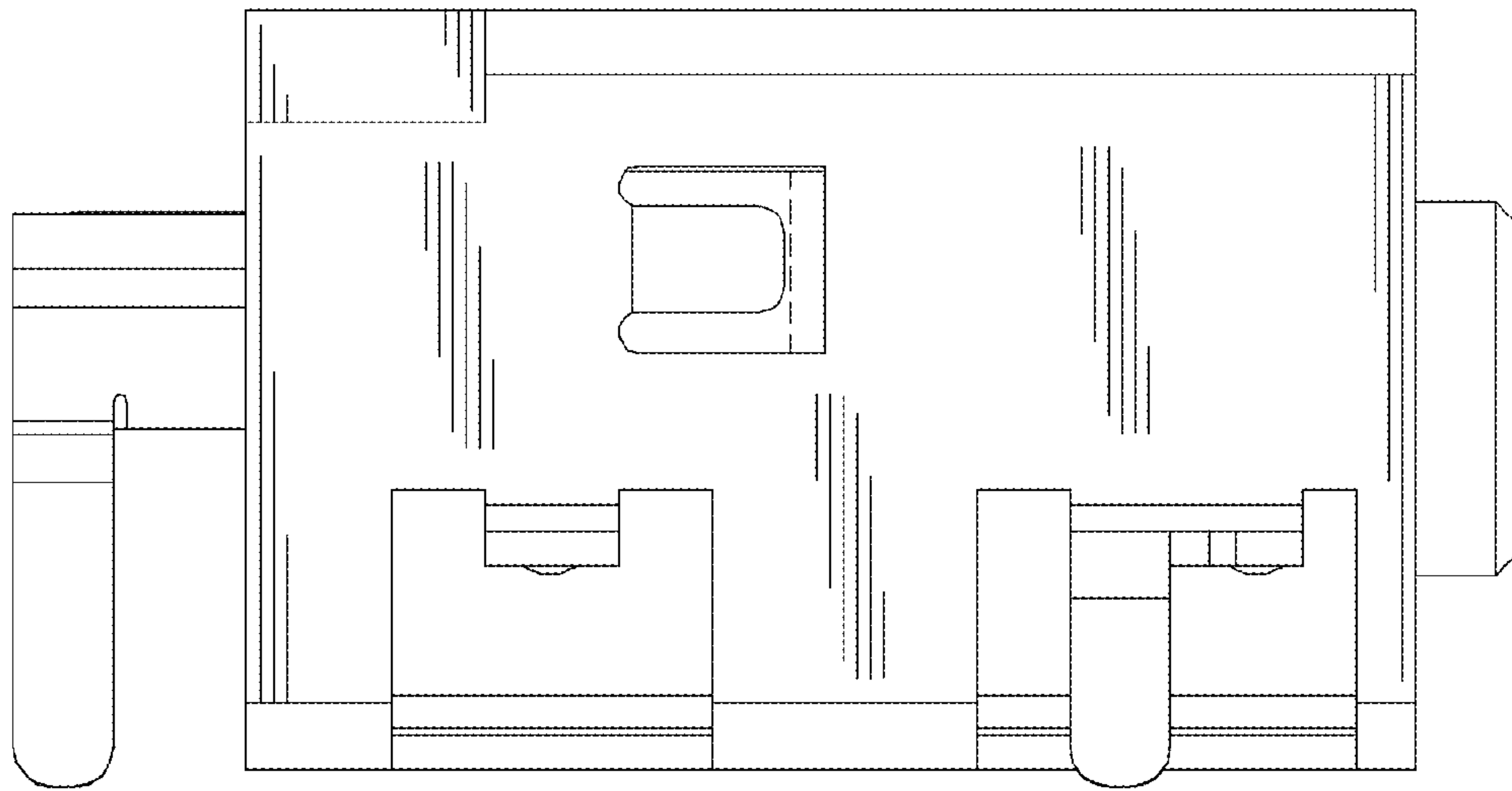


FIG. 4

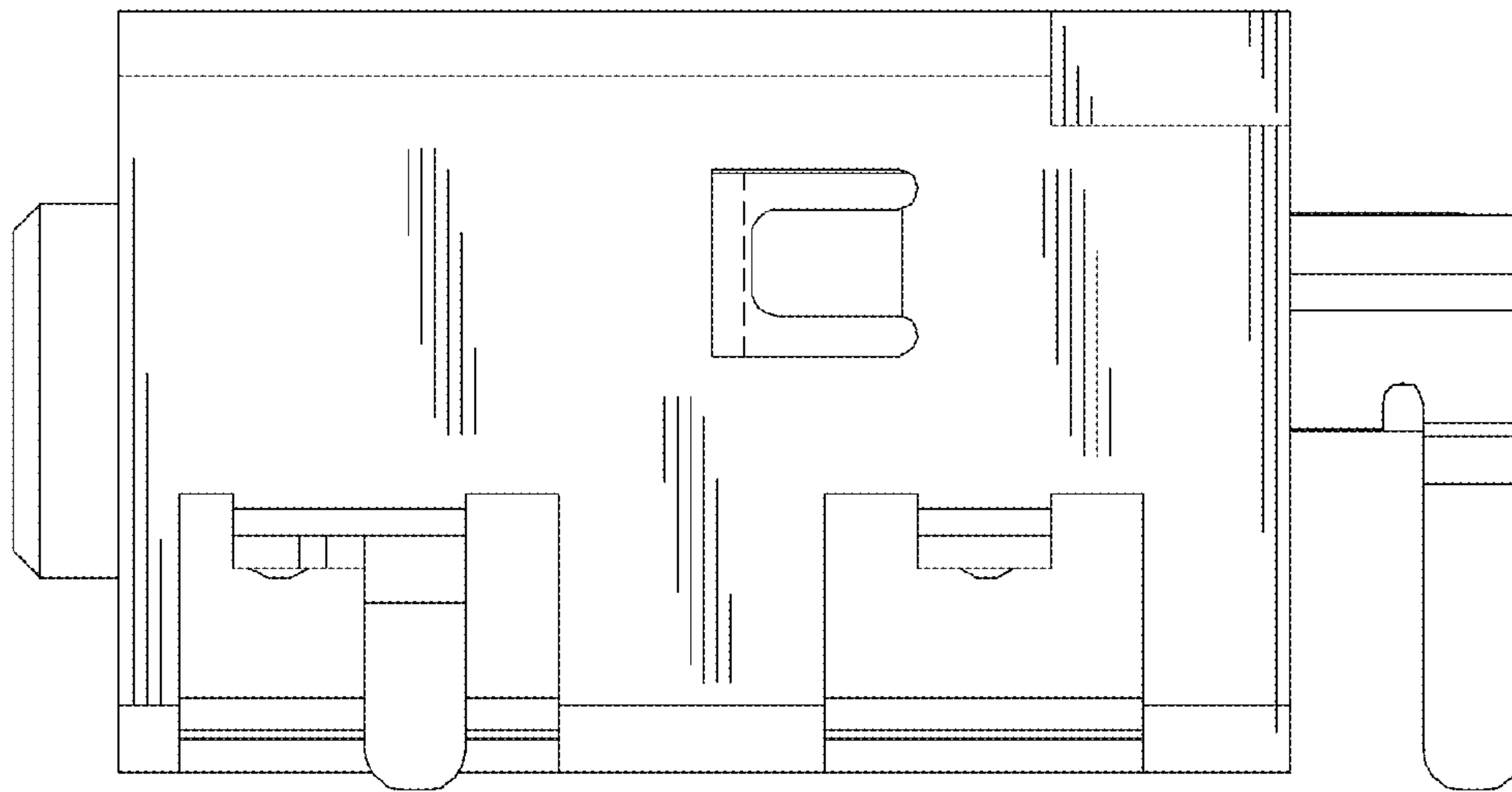


FIG. 5

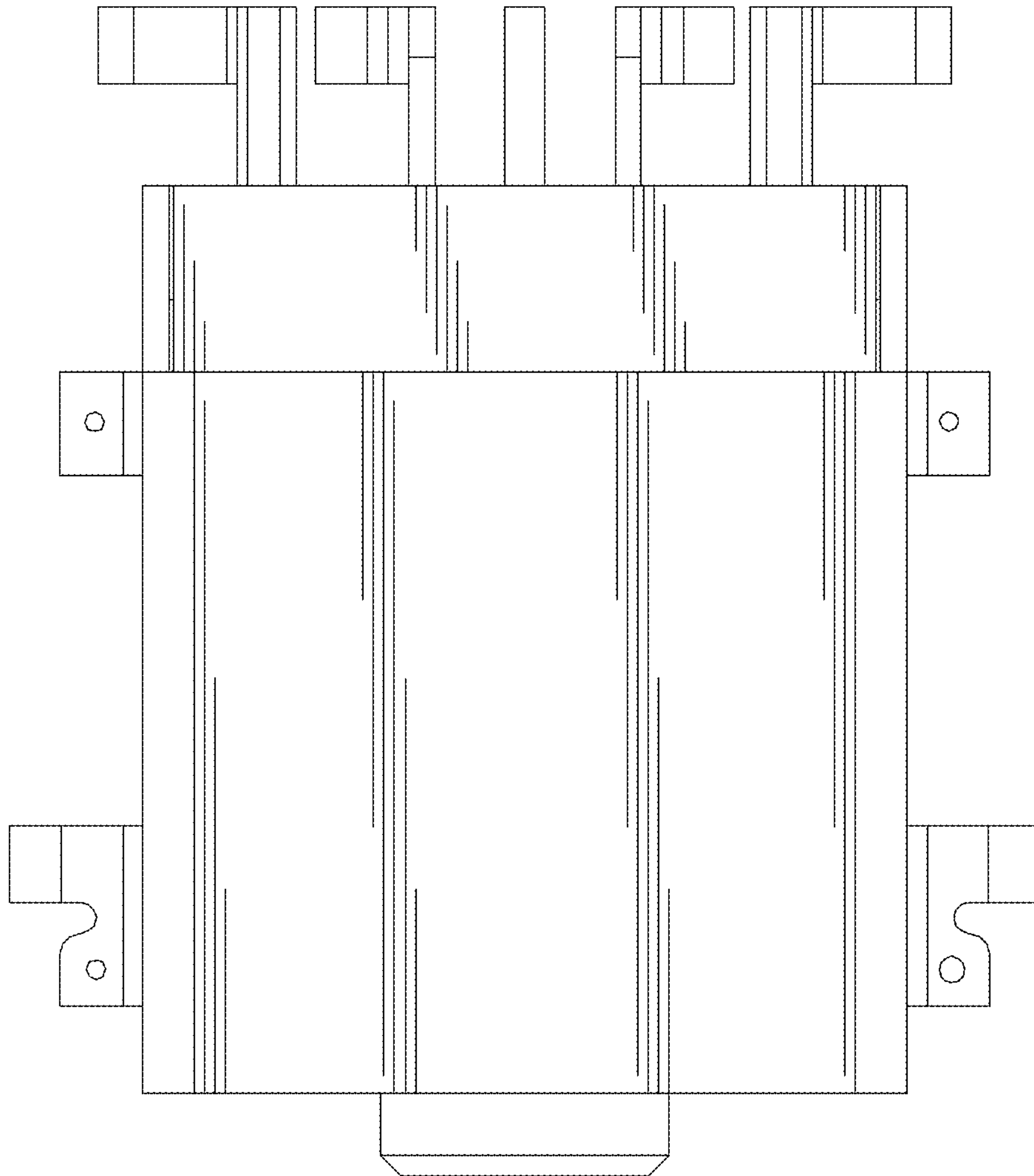


FIG. 6

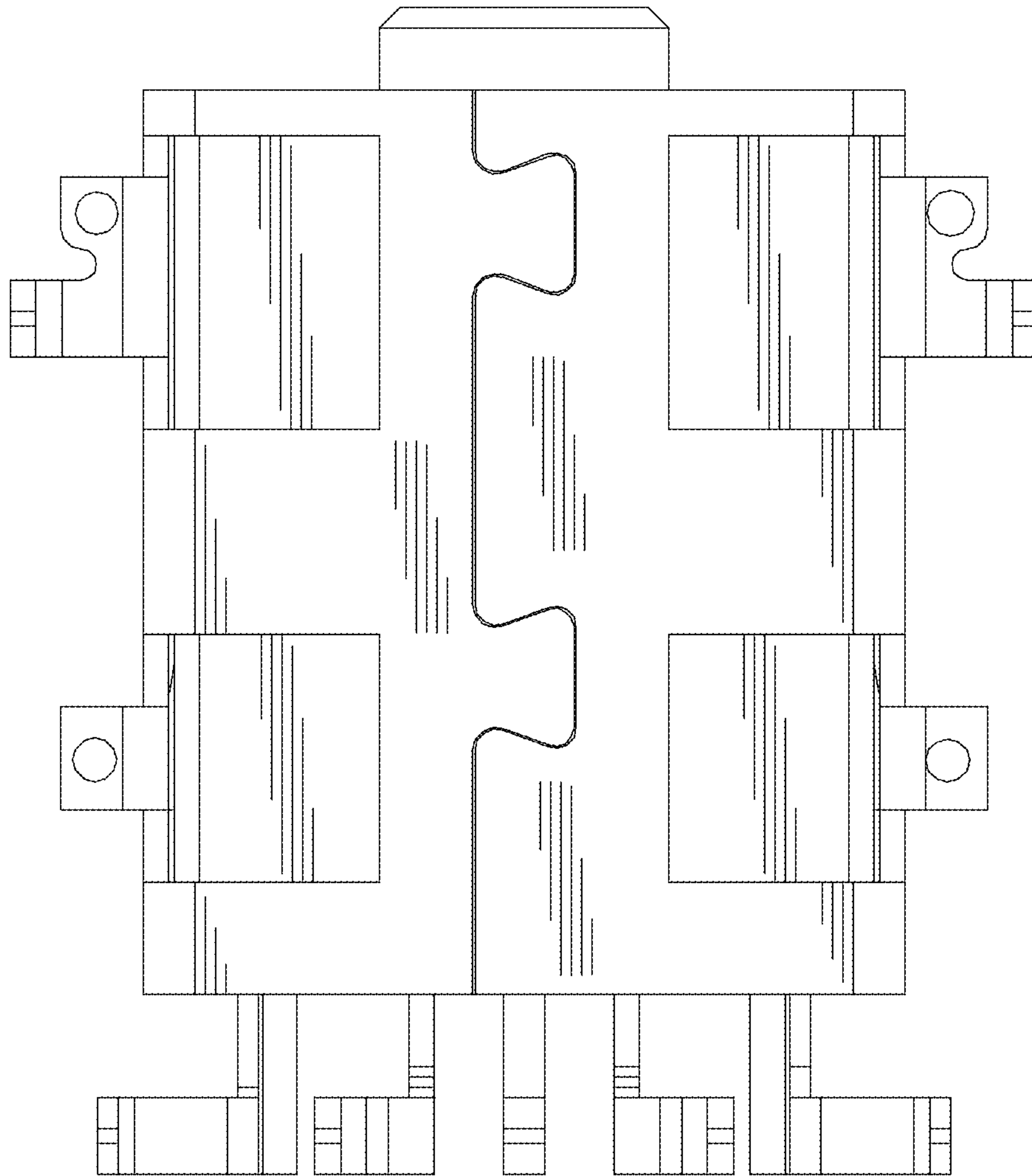


FIG. 7

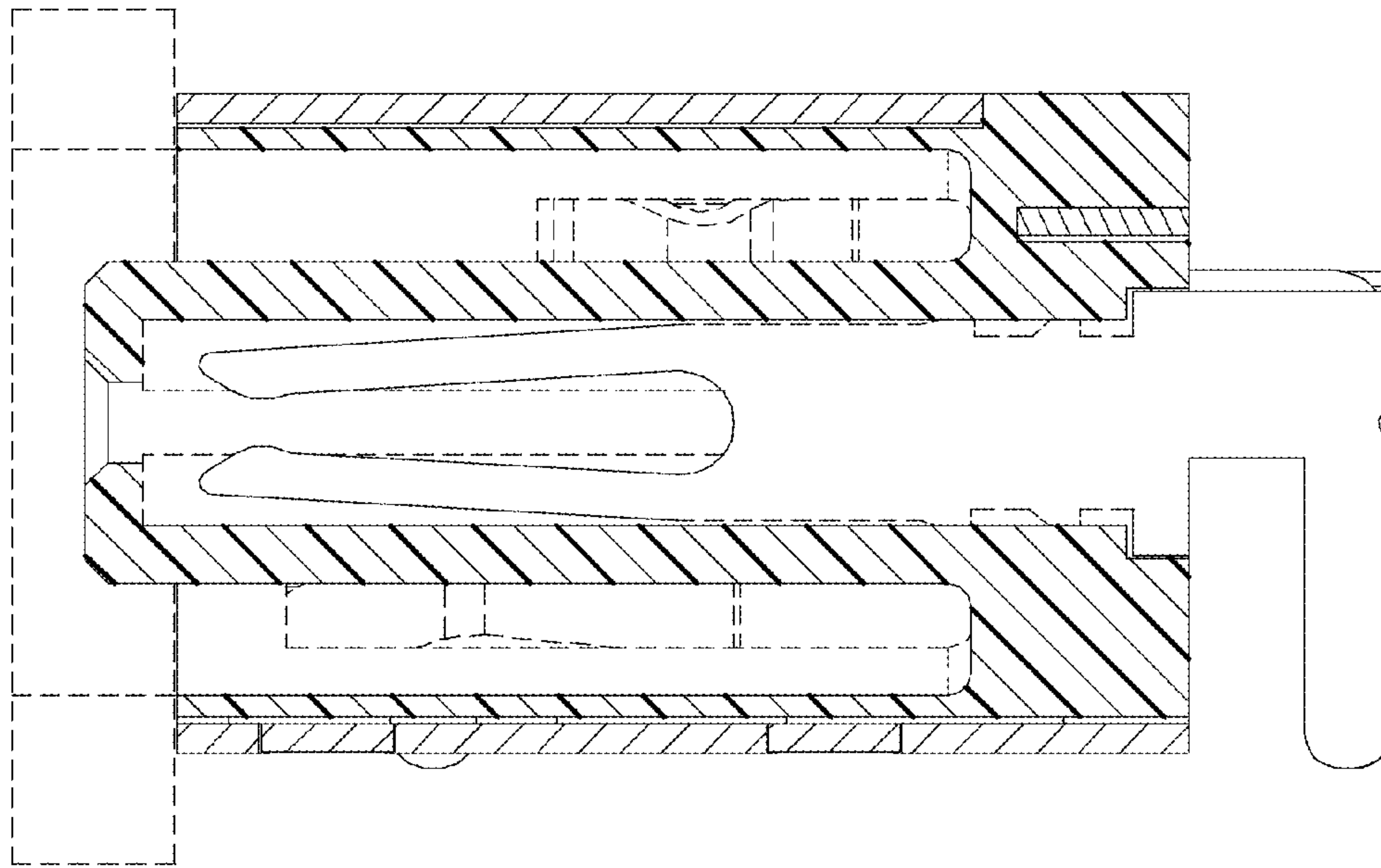


FIG. 8