



US00D761204S

(12) **United States Design Patent**
Luke et al.

(10) **Patent No.:** **US D761,204 S**
(45) **Date of Patent:** **** Jul. 12, 2016**

- (54) **ELECTRIC MOTOR**
- (71) Applicant: **Gogoro Inc.**, Hong Kong (CN)
- (72) Inventors: **Hok-Sum Horace Luke**, Mercer Island, WA (US); **Chien-Chih Weng**, New Taipei (TW); **Hsin-Wen Su**, Taipei (TW); **Song-Fu Wang**, Taipei (TW); **Chi-Wang Lien**, Taipei (TW)
- (73) Assignee: **Gogoro Inc.**, Hong Kong (CN)
- (**) Term: **14 Years**
- (21) Appl. No.: **29/506,677**
- (22) Filed: **Oct. 17, 2014**
- (51) **LOC (10) Cl.** **13-01**
- (52) **U.S. Cl.**
USPC **D13/112**
- (58) **Field of Classification Search**
USPC D13/112, 101, 110, 113–118, 122, 123, D13/154, 162, 164, 184, 199; 74/606 R, 74/609; 310/10, 40 R, 42, 51, 58, 71, 80, 310/83, 85, 89, 91, 109, 236, 239, 254, 245, 310/255; D15/3, 5, 199; 322/16, 39; 318/255, 245; 29/596–598; 361/688, 361/704, 709
CPC F02B 63/04; H02K 3/24; H02K 3/47
See application file for complete search history.

D169,488 S *	5/1953	Horvath et al.	D13/112
D169,489 S *	5/1953	Horvath et al.	D13/112
D171,450 S *	2/1954	Horvath et al.	D13/112
D172,127 S *	5/1954	Corbett	D13/112
D178,517 S *	8/1956	Horvath et al.	D13/112
D180,479 S *	6/1957	Grote	D13/112
D245,498 S *	8/1977	Andreas	D13/112
5,339,707 A *	8/1994	Arbus	74/606 R
2013/0342046 A1	12/2013	Hyun		

FOREIGN PATENT DOCUMENTS

EP 0 631 365 B1 2/1998

* cited by examiner

Primary Examiner — Derrick Holland

Assistant Examiner — Jennifer O King

(74) *Attorney, Agent, or Firm* — Seed IP Law Group PLLC

(57) **CLAIM**

The ornamental design for an electric motor, as shown and described.

DESCRIPTION

FIG. 1 is a front perspective view of an electric motor showing our new design.

FIG. 2 is a rear perspective view thereof.

FIG. 3 is a front elevational view thereof.

FIG. 4 is a rear elevational view thereof.

FIG. 5 is a top plan view thereof.

FIG. 6 is a bottom plan view thereof.

FIG. 7 is a left side elevational view thereof; and,

FIG. 8 is a right side elevational view thereof.

Stippling and contour lines shown in FIGS. 1-8 are intended to represent approximate three-dimensional contours of the design, and are not intended to indicate surface decoration.

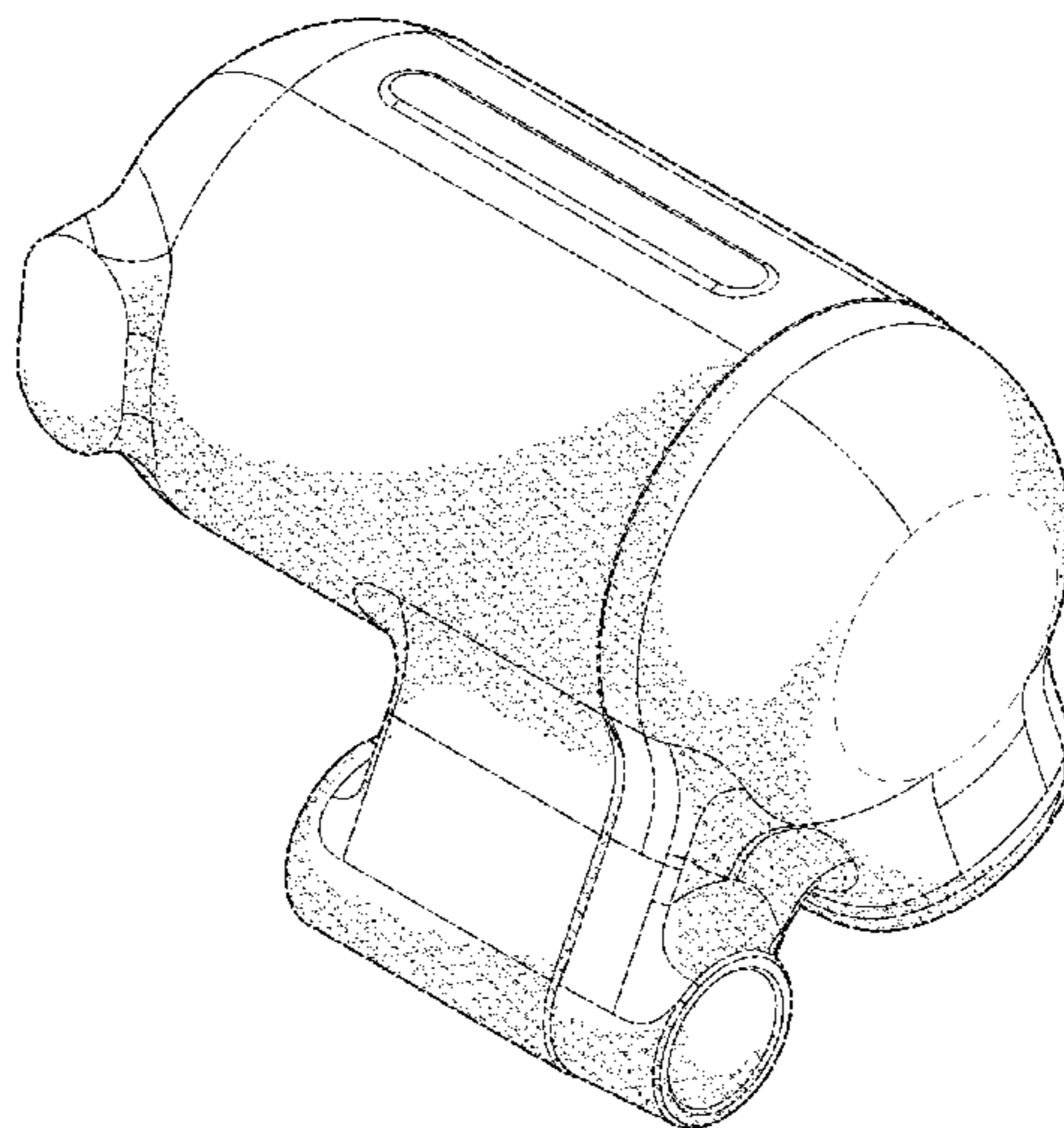
The broken lines in FIGS. 1 and 8 are for the purpose of illustrating the bounds of the claimed design and form no part of the claimed design.

1 Claim, 8 Drawing Sheets

(56) **References Cited**

U.S. PATENT DOCUMENTS

D115,018 S *	5/1939	Bahr	D13/112
D123,201 S *	10/1940	Jackson	D13/116
D130,620 S *	12/1941	Vogel	D13/114
D151,308 S *	10/1948	Wieseman et al.	D13/112
D154,811 S *	8/1949	Shaeffer	D13/112
D160,713 S *	10/1950	Karstadt	D13/112
D163,134 S *	5/1951	Palm	D13/112
D169,487 S *	5/1953	Horvath et al.	D13/112



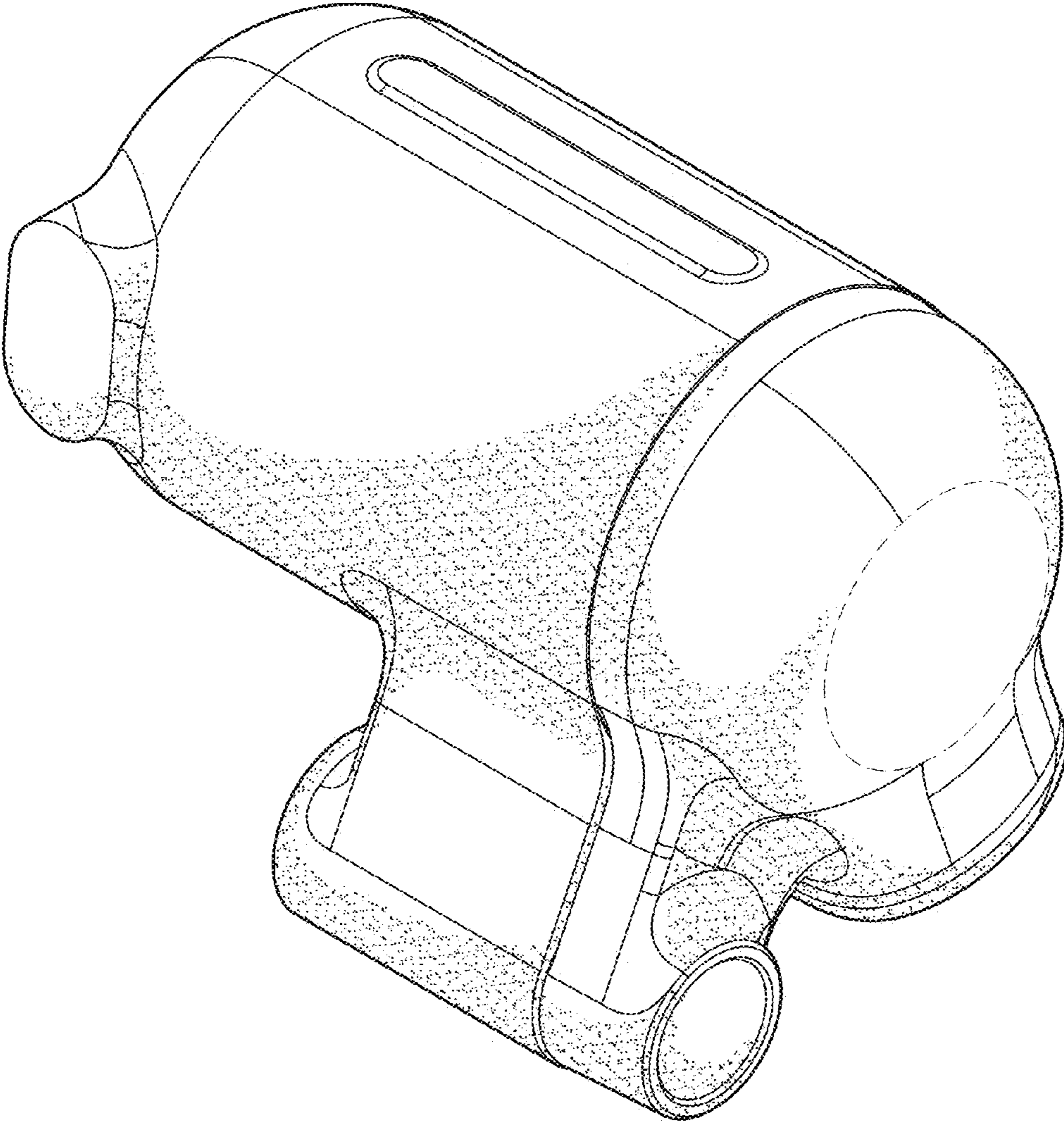


FIG. 1

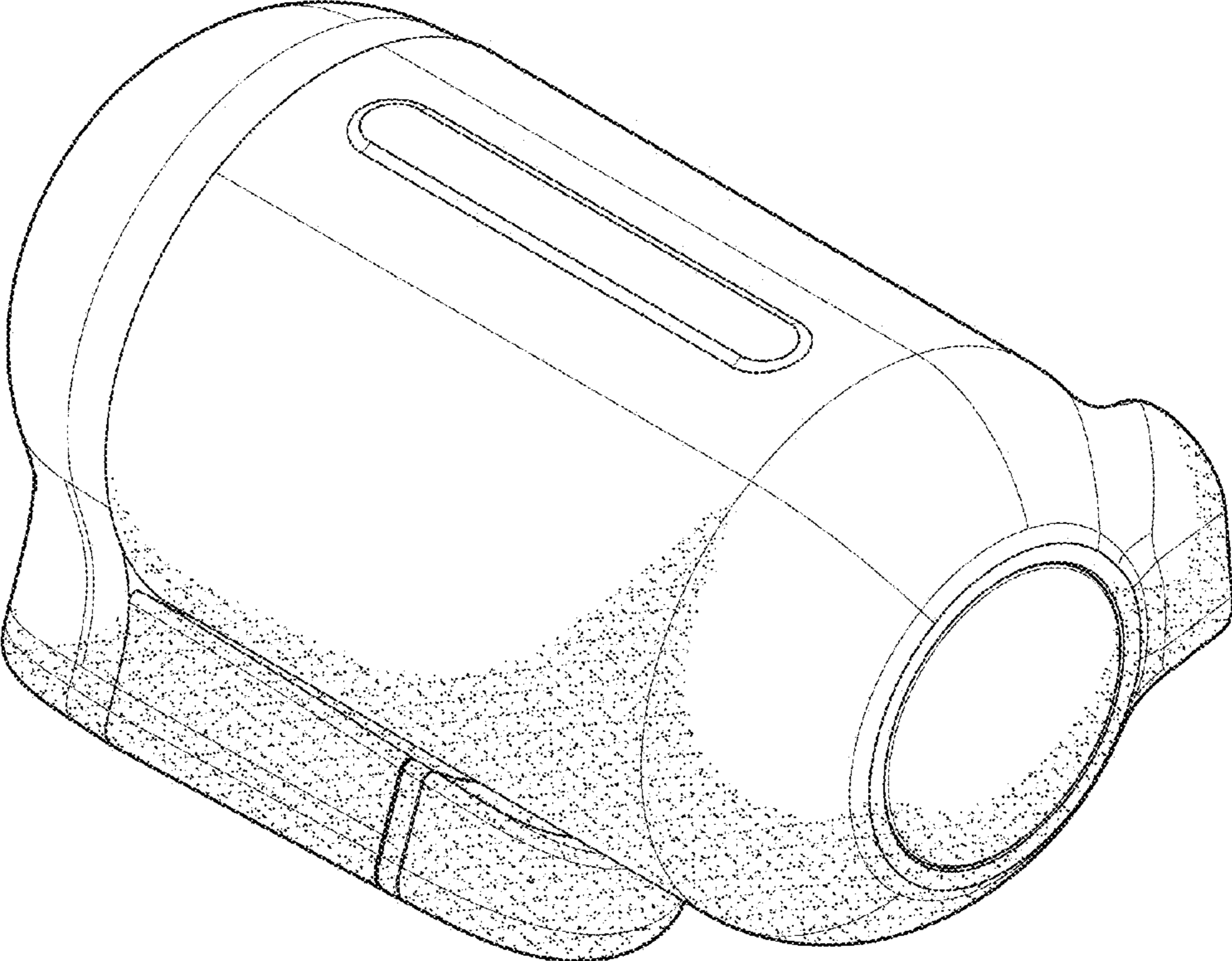


FIG.2

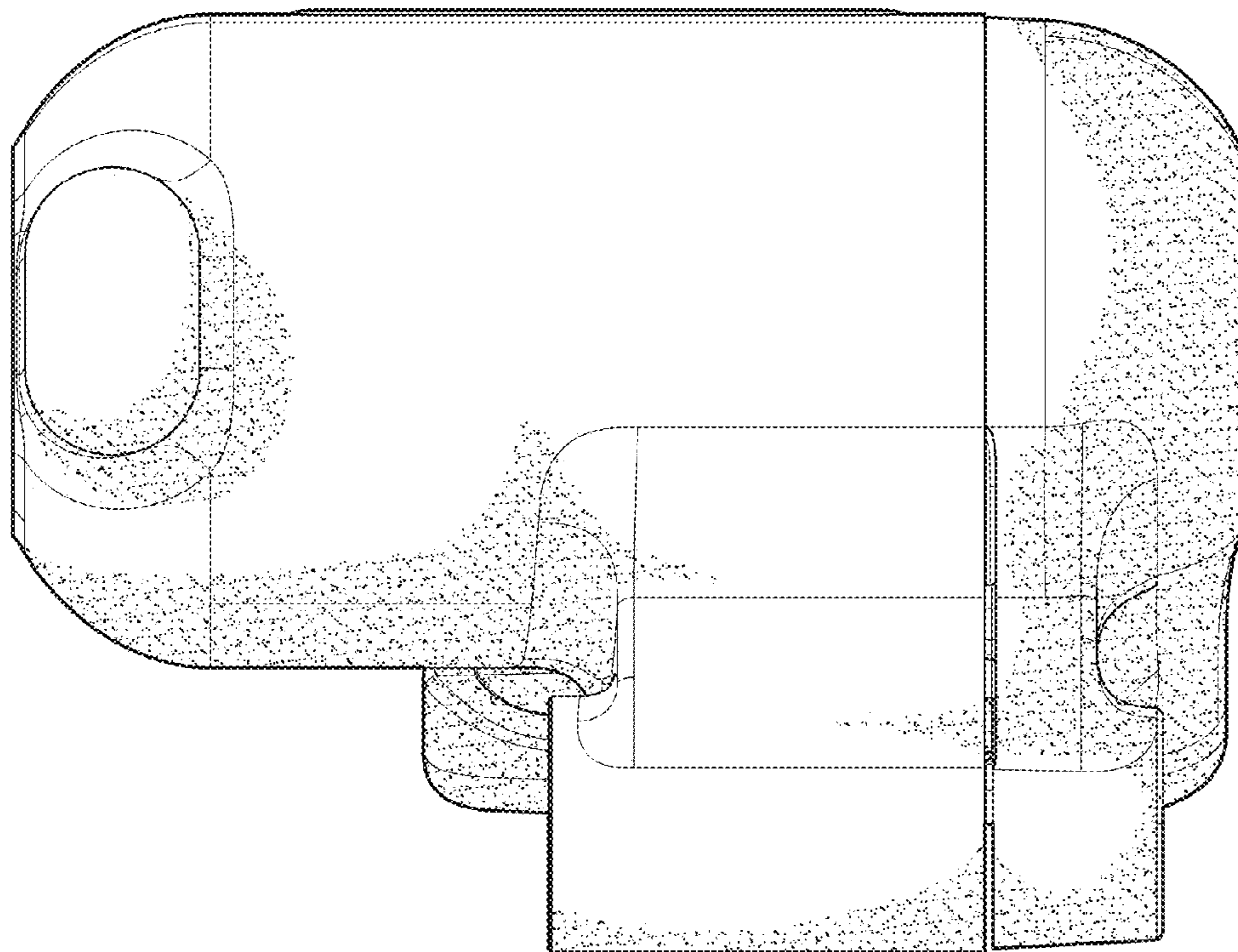


FIG.3

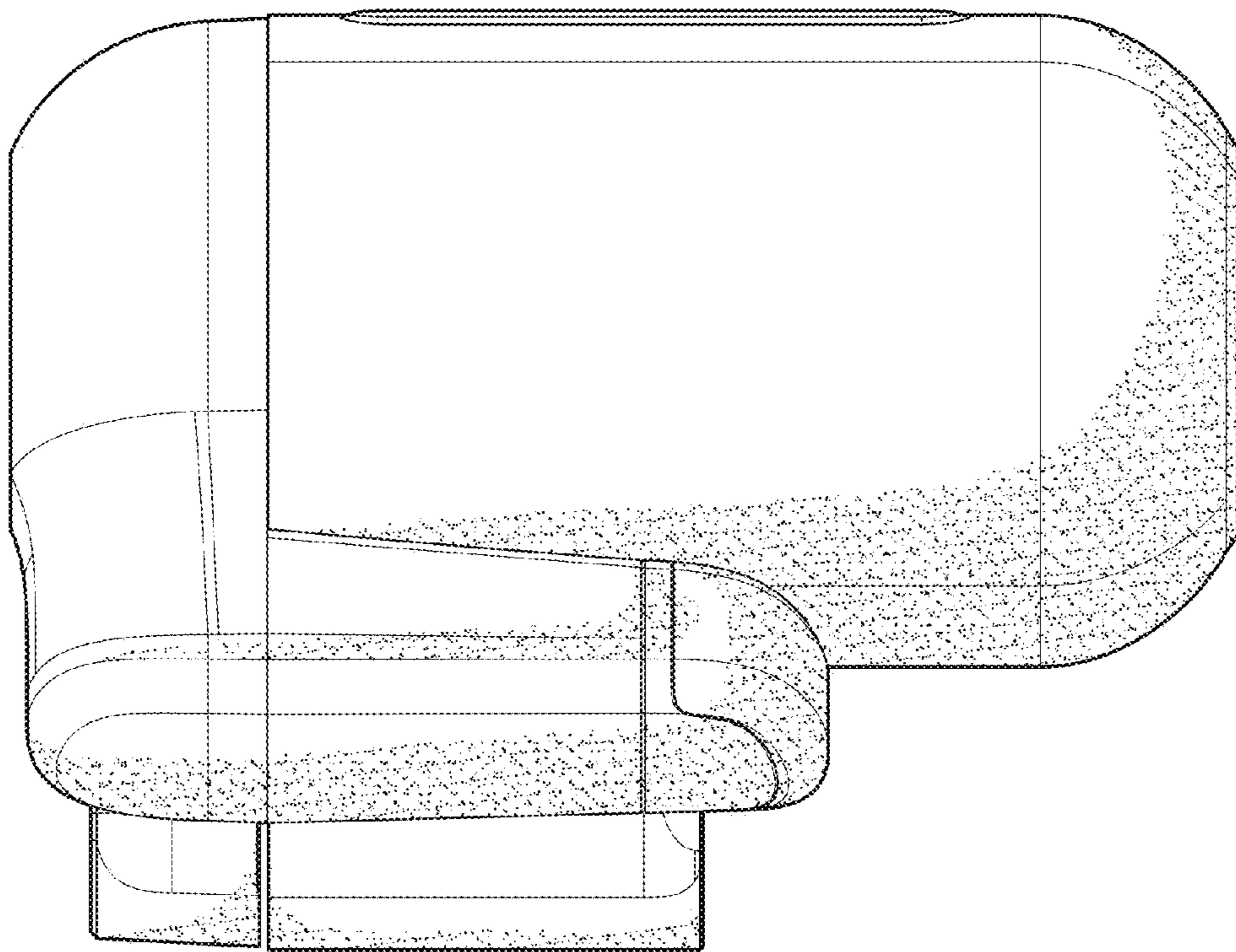


FIG.4

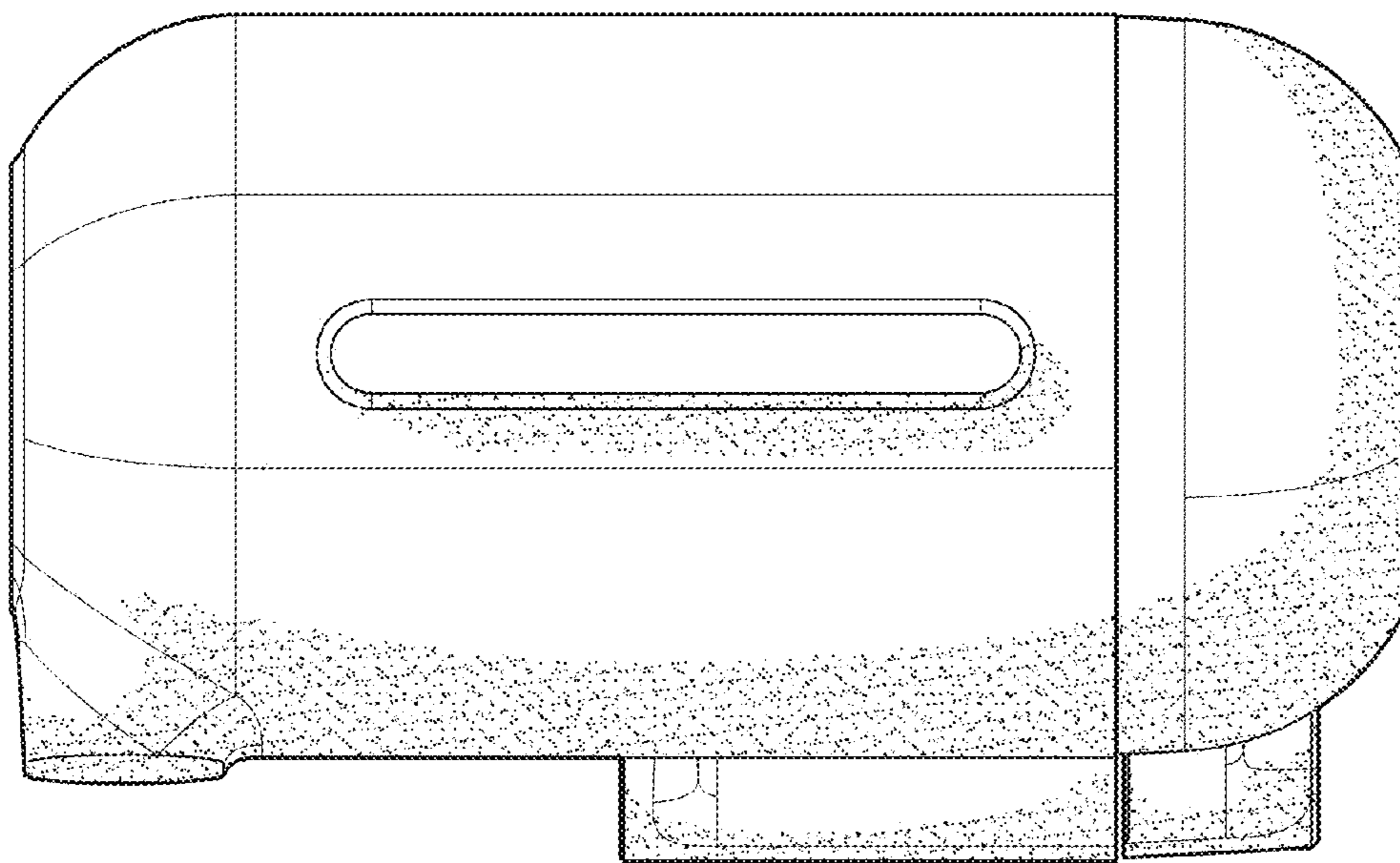


FIG.5

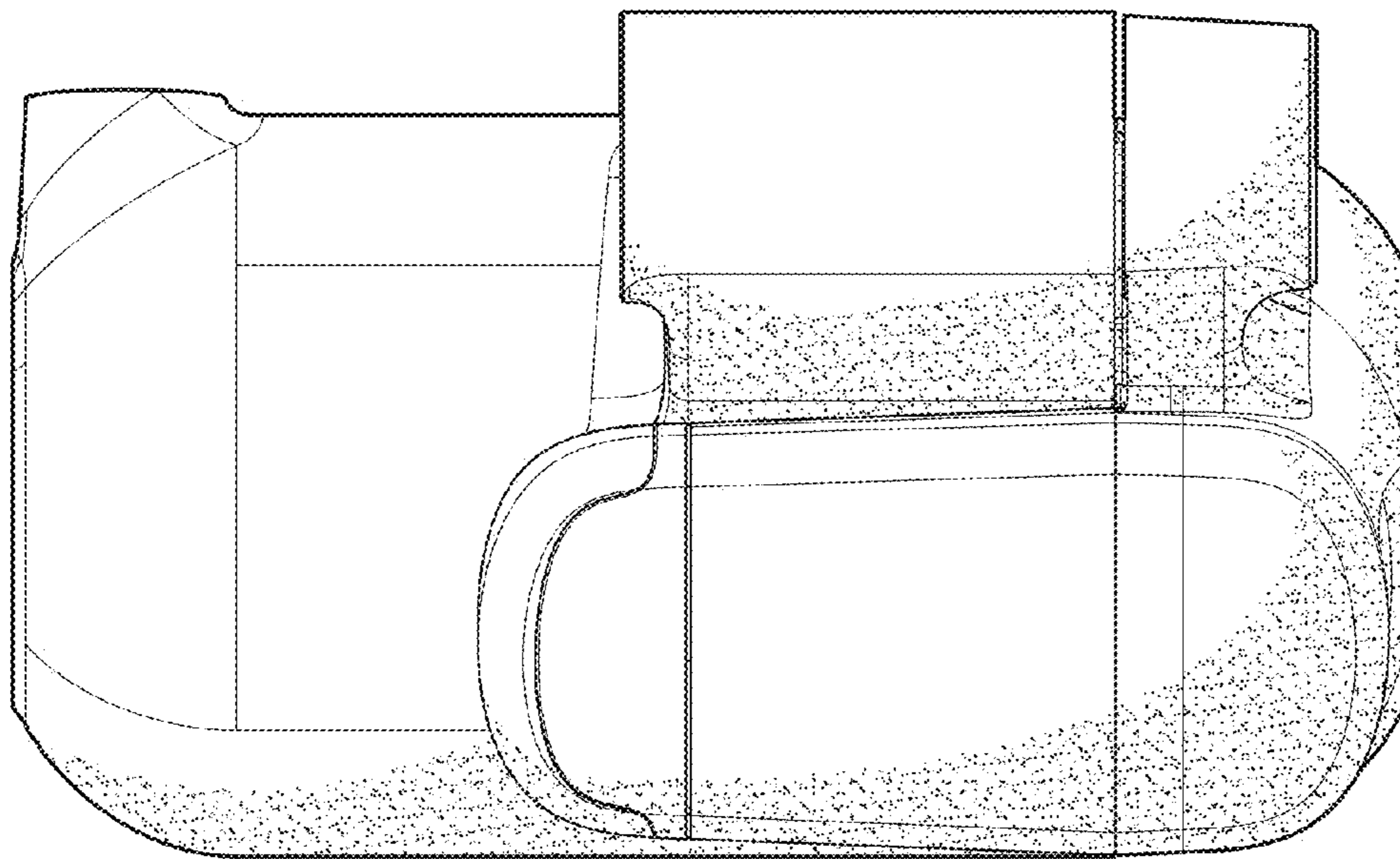


FIG.6

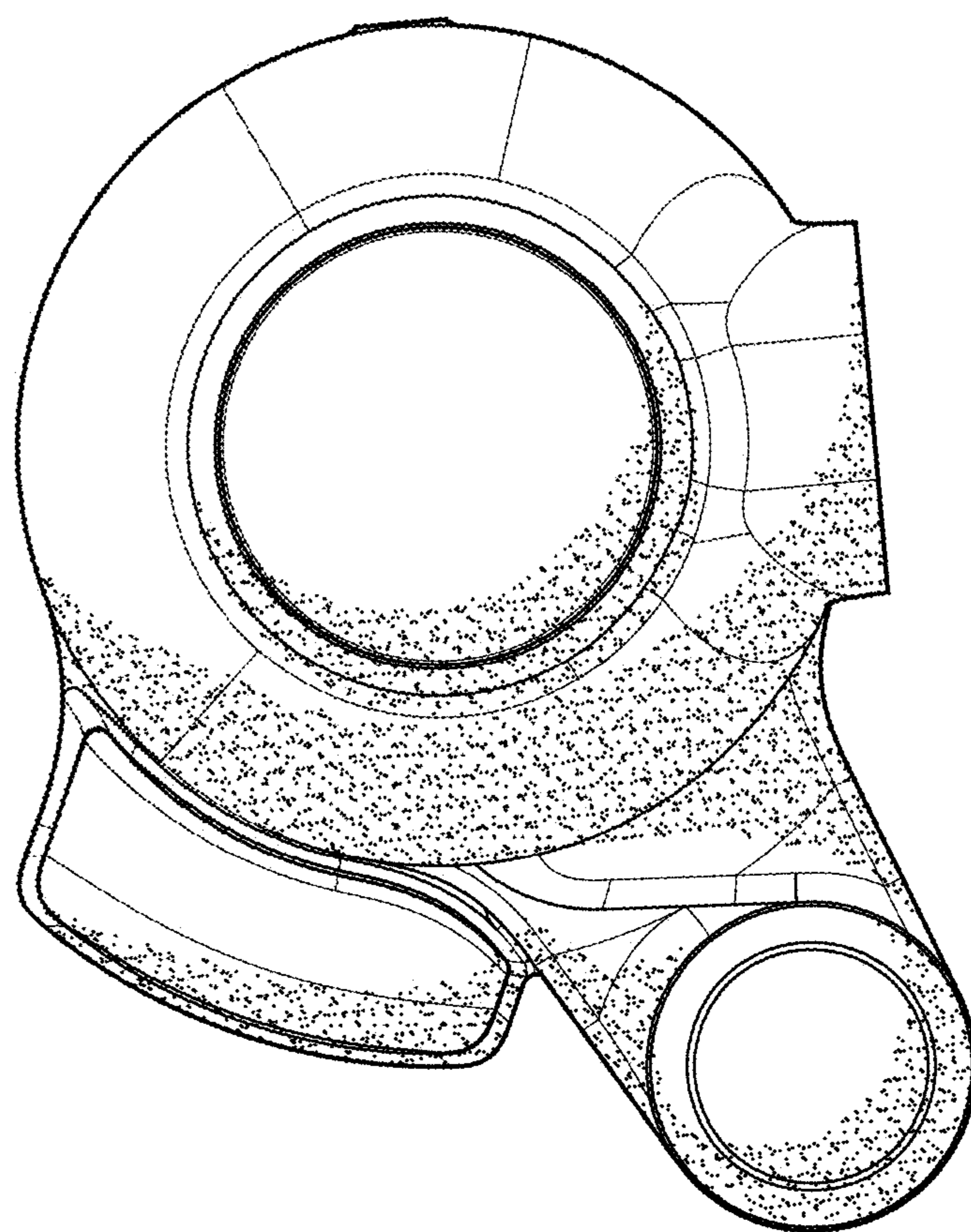


FIG.7

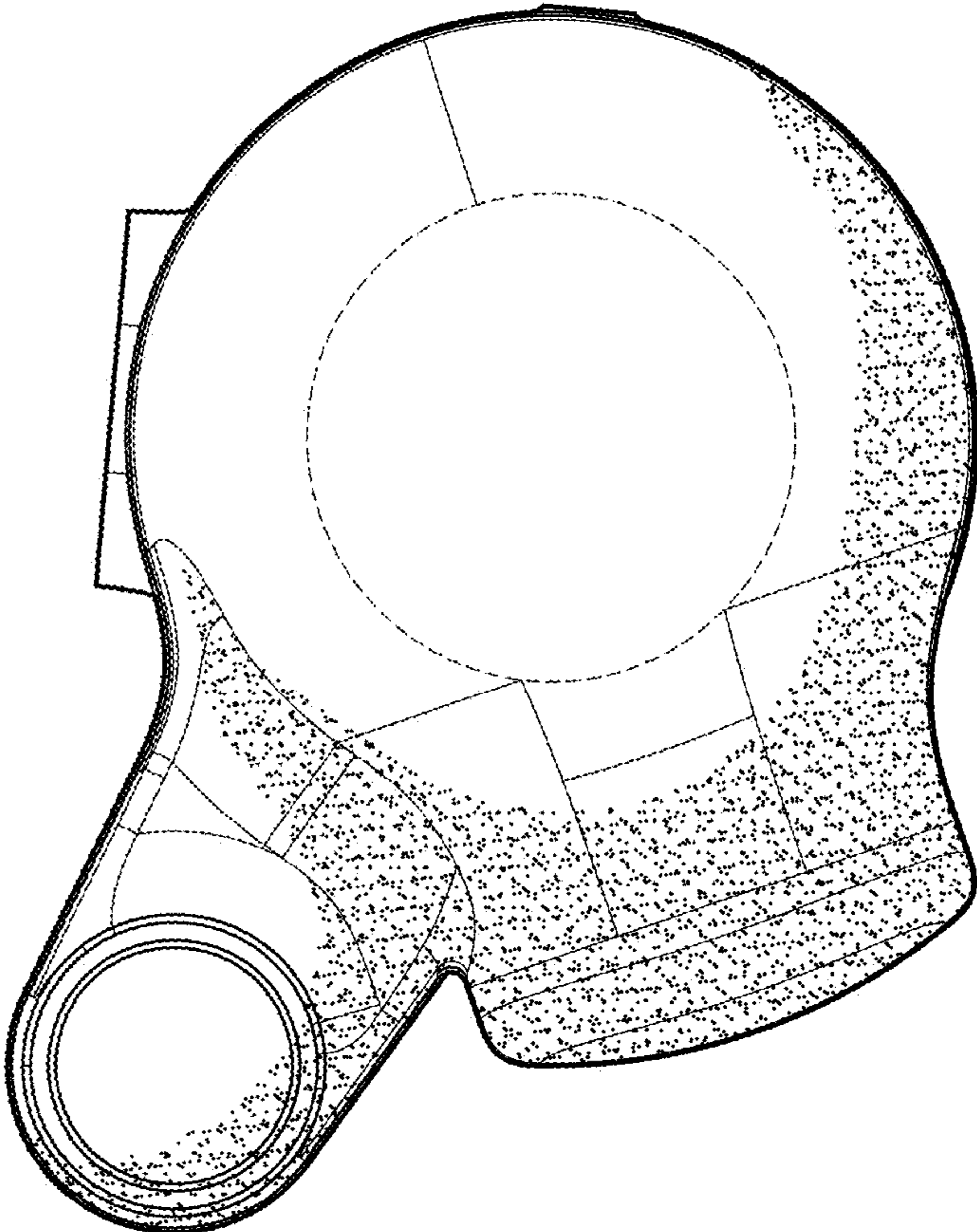


FIG.8