

US00D761203S

(12) **United States Design Patent**
Inskeep

(10) **Patent No.:** **US D761,203 S**
(45) **Date of Patent:** **** Jul. 12, 2016**

(54) **MARINE INVERTER**

(71) Applicant: **Mathew Inskeep**, Highland Beach, FL
(US)

(72) Inventor: **Mathew Inskeep**, Highland Beach, FL
(US)

(**) Term: **14 Years**

(21) Appl. No.: **29/515,050**

(22) Filed: **Jan. 20, 2015**

(51) **LOC (10) Cl.** **13-02**

(52) **U.S. Cl.**
USPC **D13/110**

(58) **Field of Classification Search**
USPC D13/110, 108, 118, 123, 162, 168, 169,
D13/174, 177, 184, 199; D14/257, 432,
D14/438; 174/16.3, 17 R, 17.08; 361/600,
361/601, 690, 694, 695, 679.01, 679.61,
361/704, 730; 363/141, 142
CPC H05K 5/00; H05K 5/02; H05K 5/0247;
H05K 7/00; H05K 7/20; H05K 7/20136;
H05K 7/20154; H05K 7/209; H02M 7/00;
H02M 7/003; H02J 7/0042

See application file for complete search history.

(56) **References Cited**

U.S. PATENT DOCUMENTS

5,949,640	A	*	9/1999	Cameron	H02M 7/003 361/600
D505,915	S	*	6/2005	Hussaini	D13/110
D526,614	S	*	8/2006	Kajiura	D13/110
D595,647	S	*	7/2009	Shum	D13/110
D609,180	S	*	2/2010	Suzuki	D13/110
D627,719	S	*	11/2010	DuMelle	D13/110
D693,298	S	*	11/2013	Inskeep	D13/110
D704,638	S	*	5/2014	Inskeep	D13/110
D706,214	S	*	6/2014	Benn	D13/110

* cited by examiner

Primary Examiner — Derrick Holland

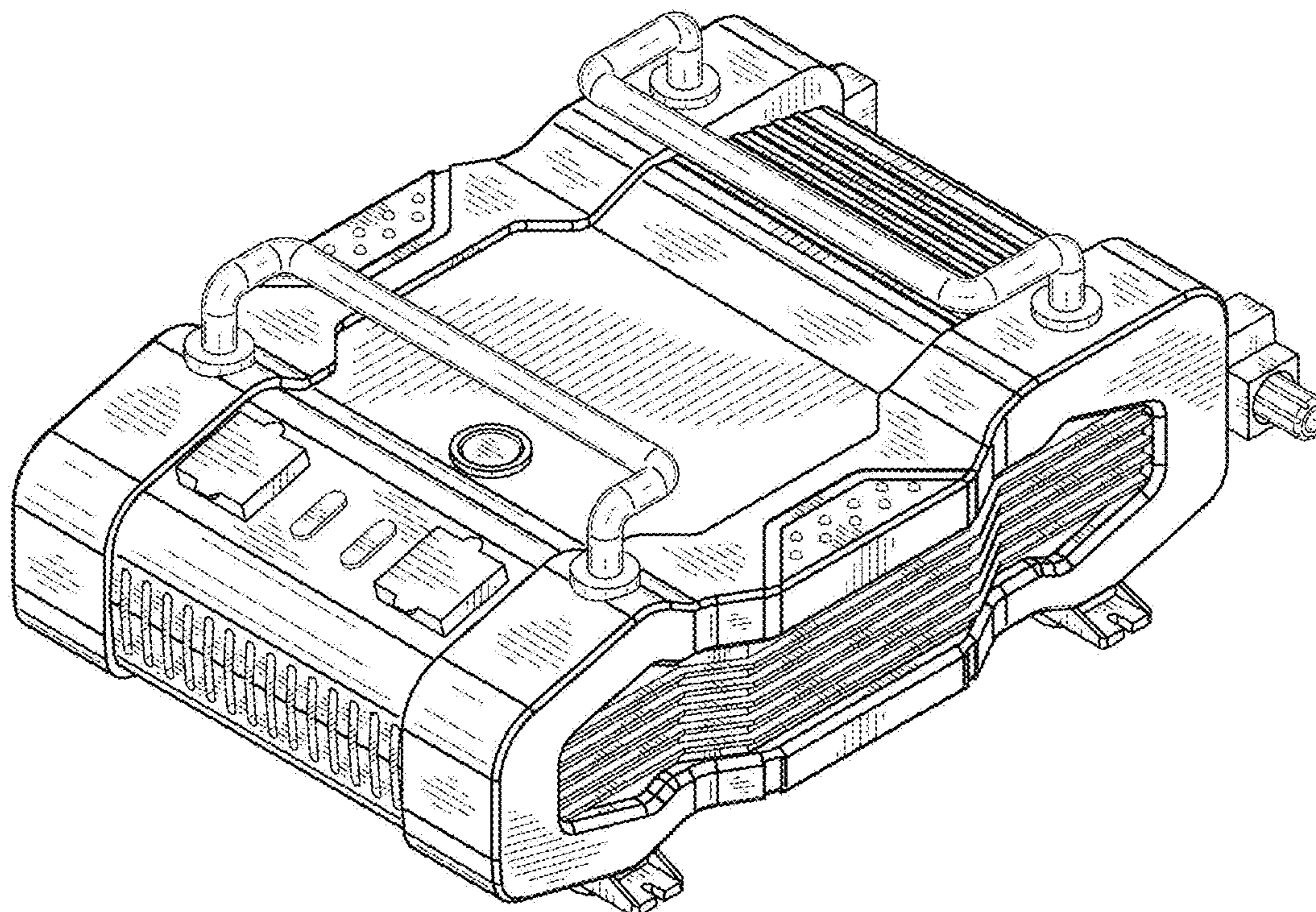
(57) **CLAIM**

The ornamental design for a marine inverter, as shown and described.

DESCRIPTION

FIG. 1 is a top perspective view of a marine inverter showing my new design.
FIG. 2 is a bottom perspective view thereof.
FIG. 3 is a top view thereof.
FIG. 4 is a bottom view thereof.
FIG. 5 is a left side view thereof.
FIG. 6 is a front view thereof; and,
FIG. 7 is a back view thereof.

1 Claim, 6 Drawing Sheets



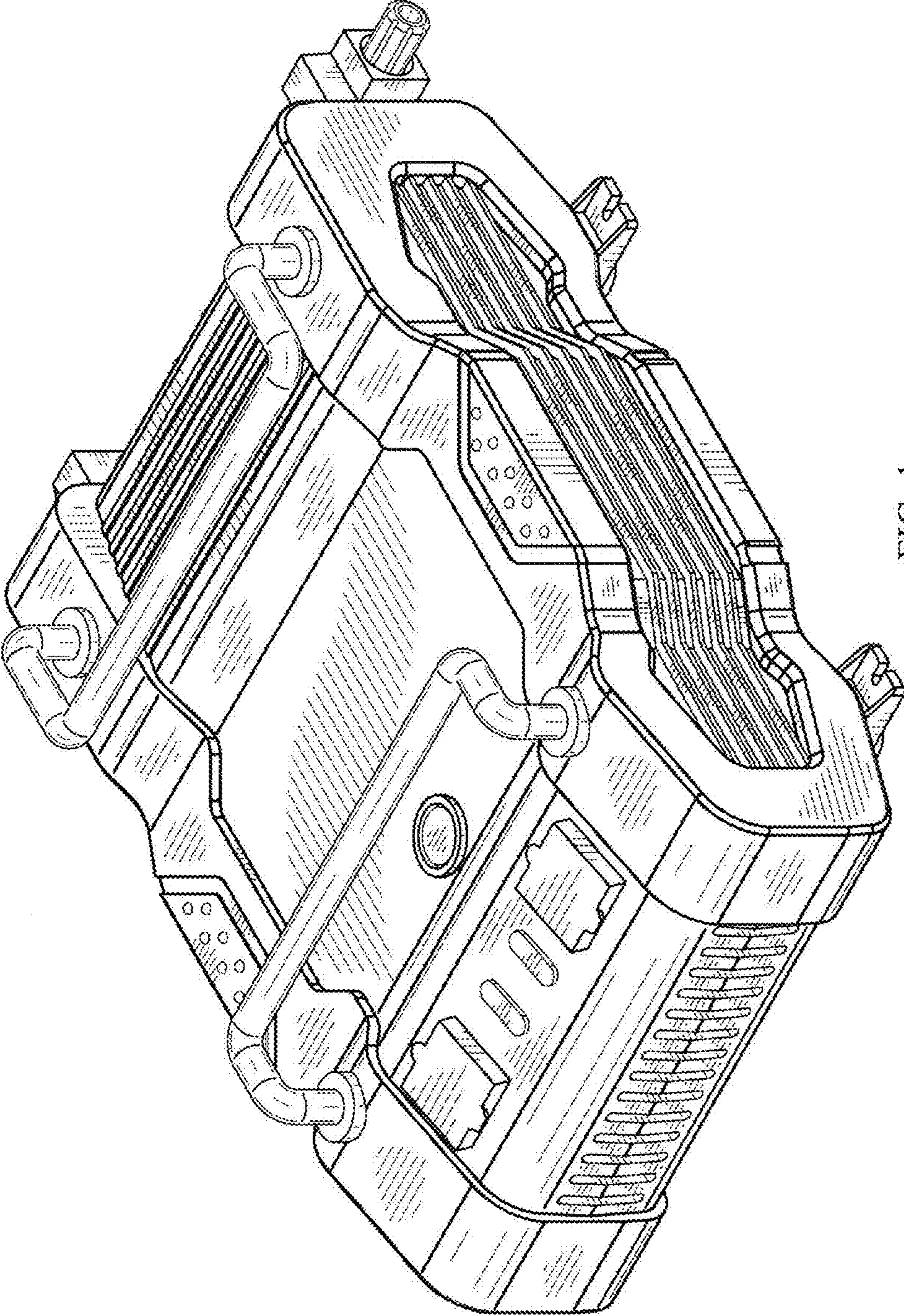


FIG. 1

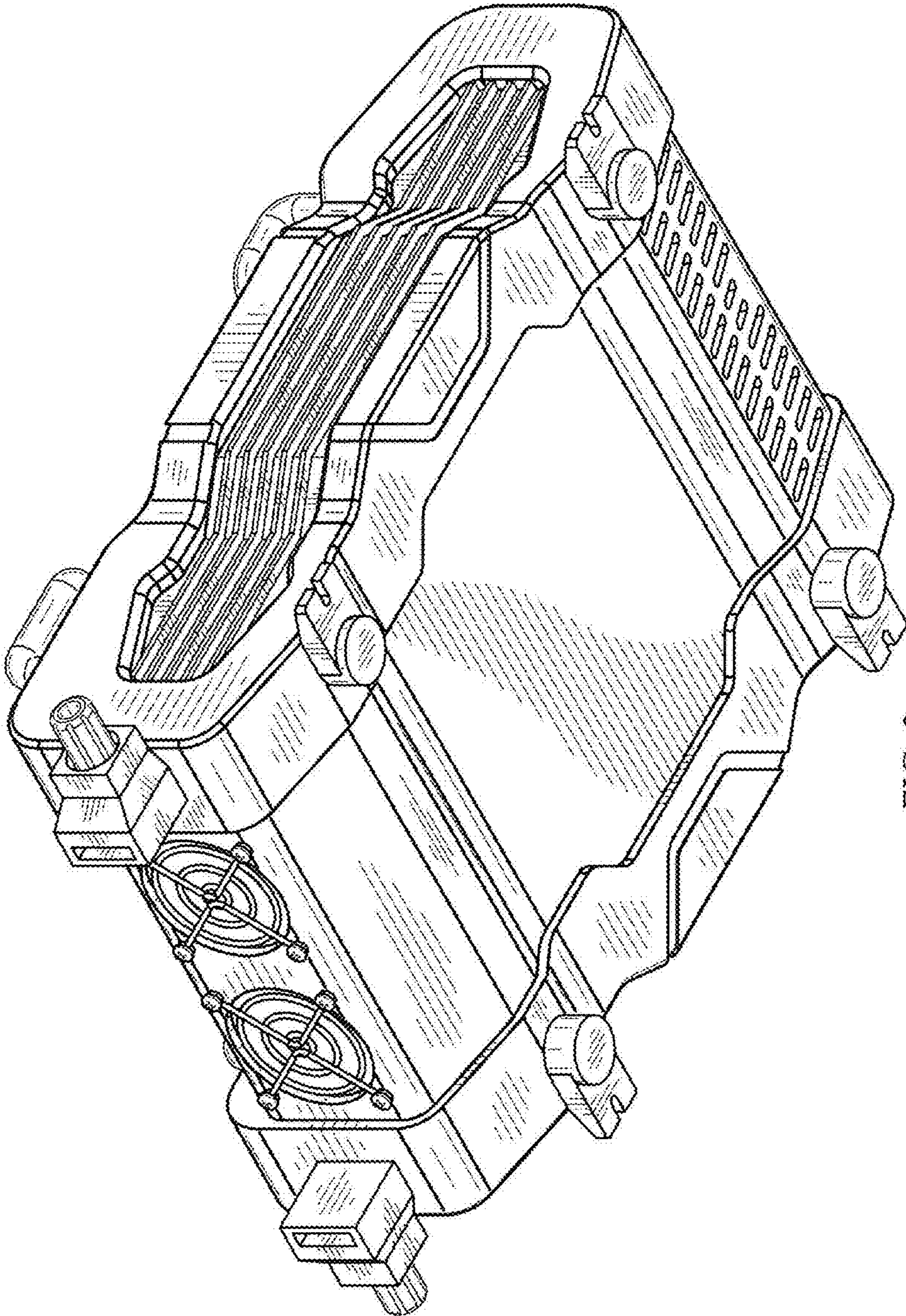


FIG. 2

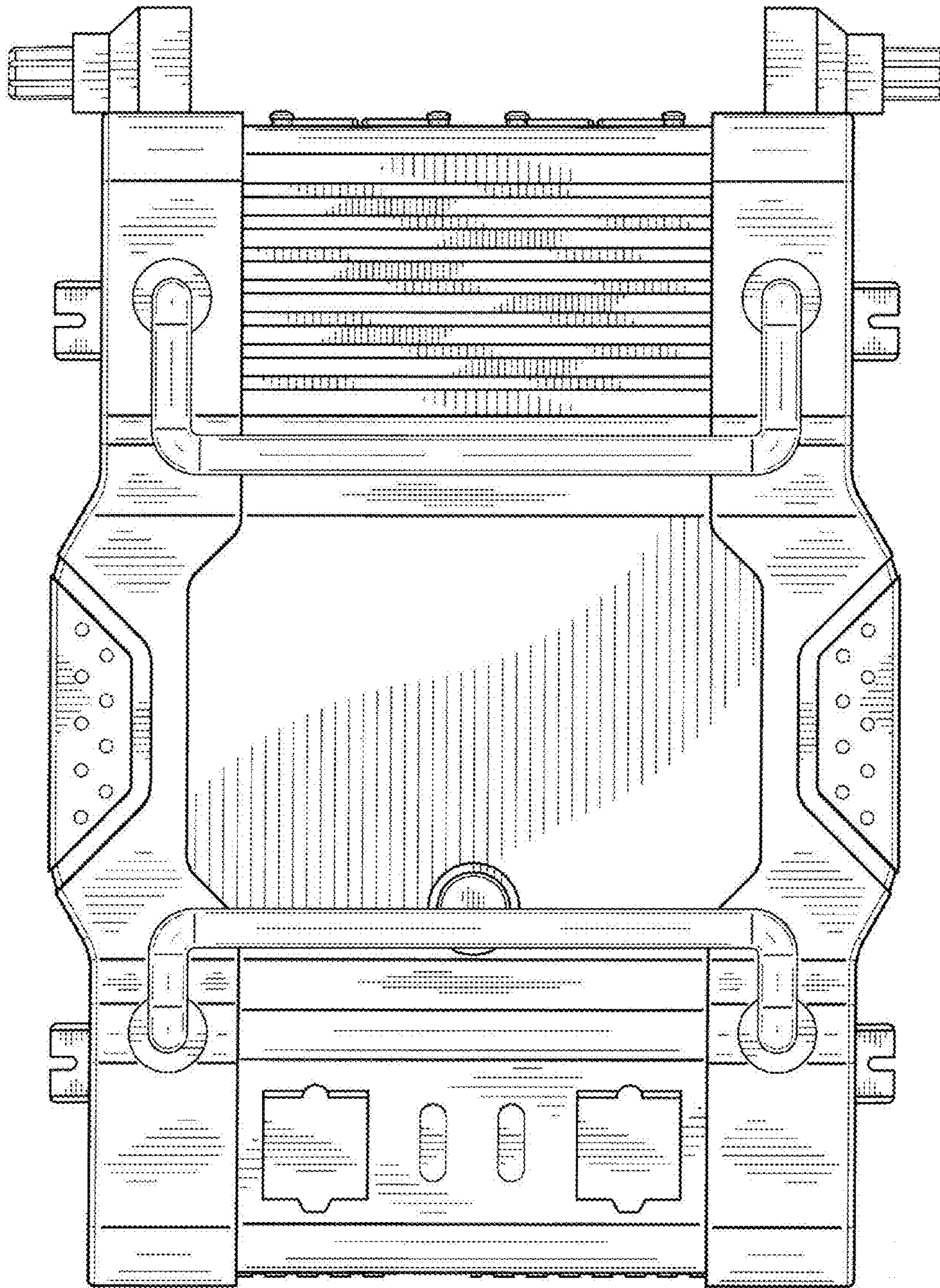


FIG. 3

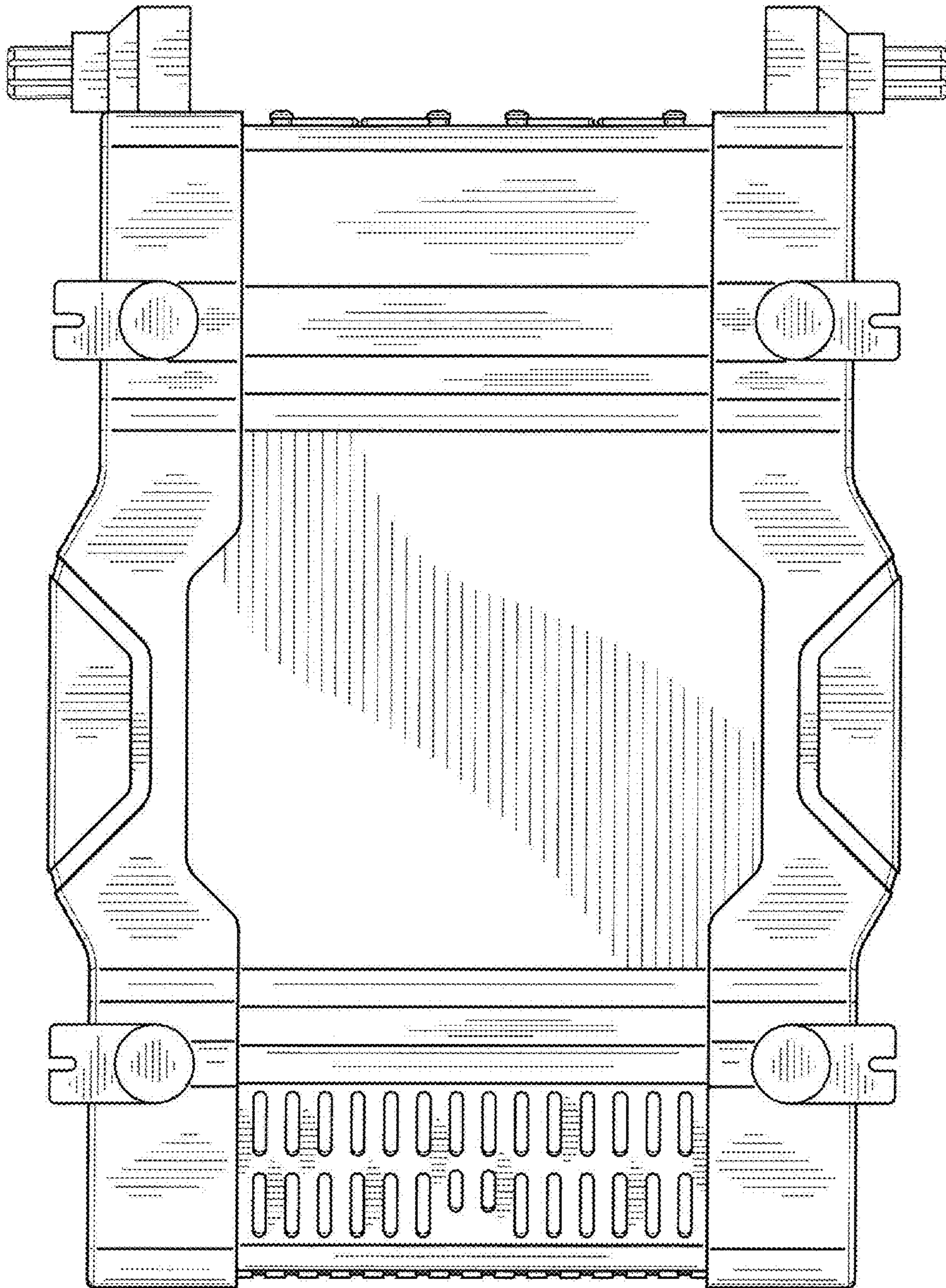


FIG. 4

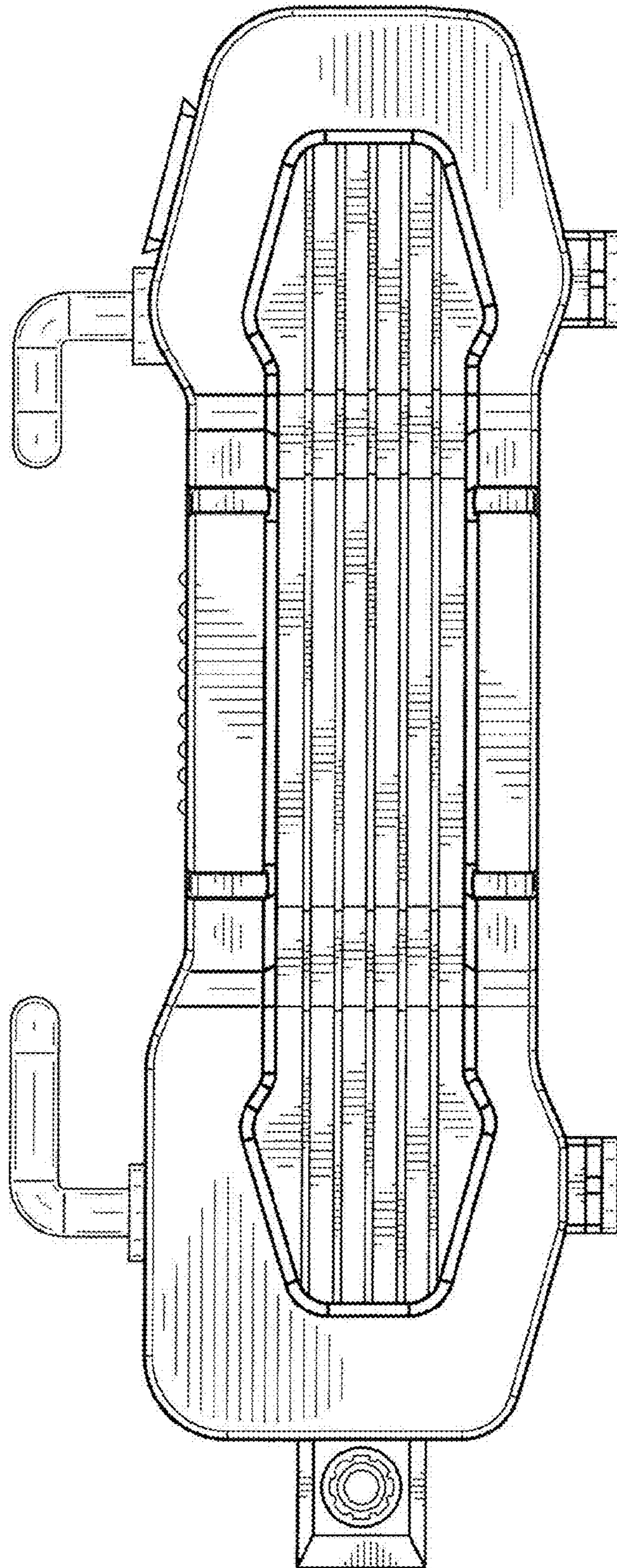


FIG. 5

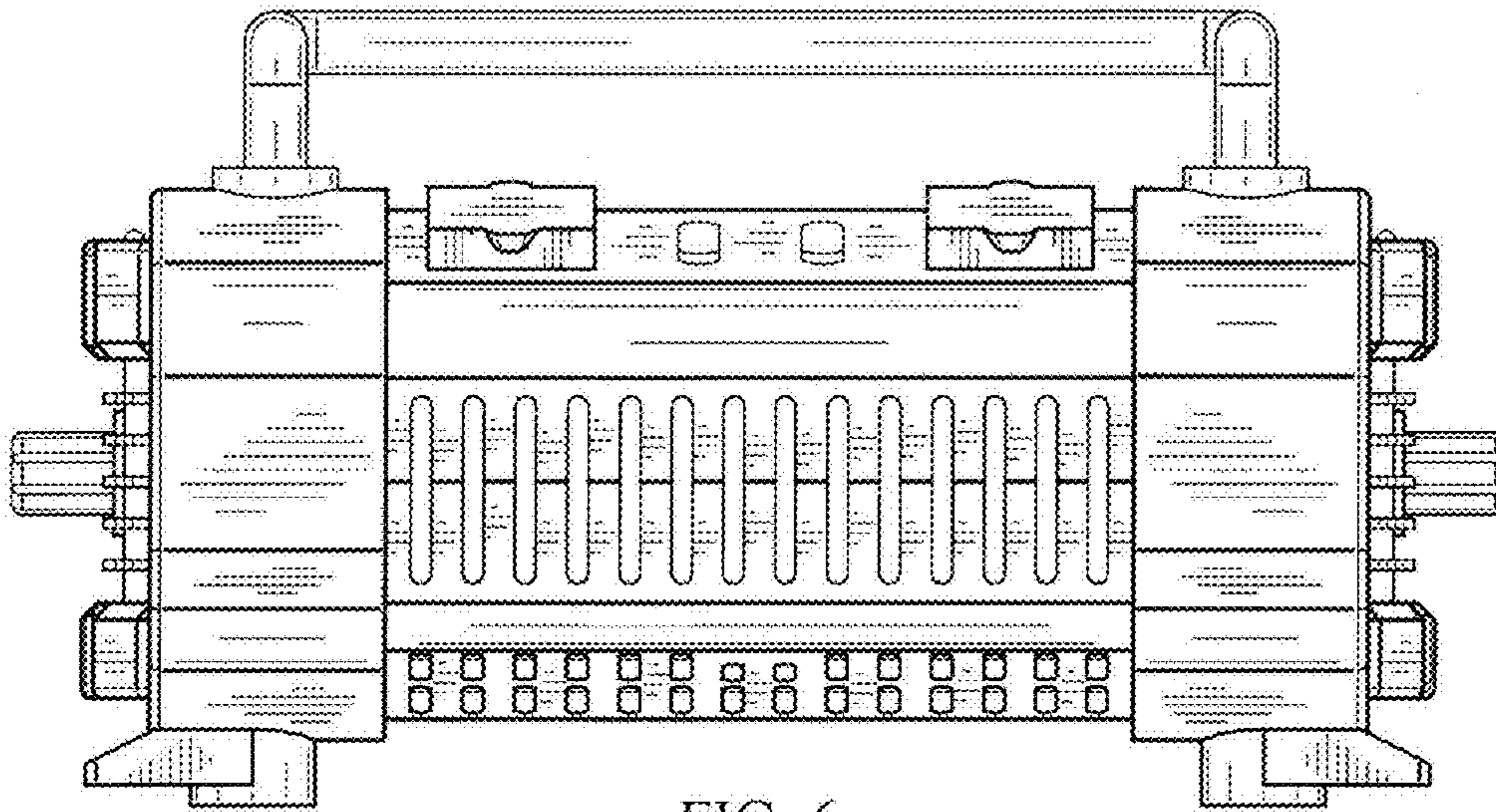


FIG. 6

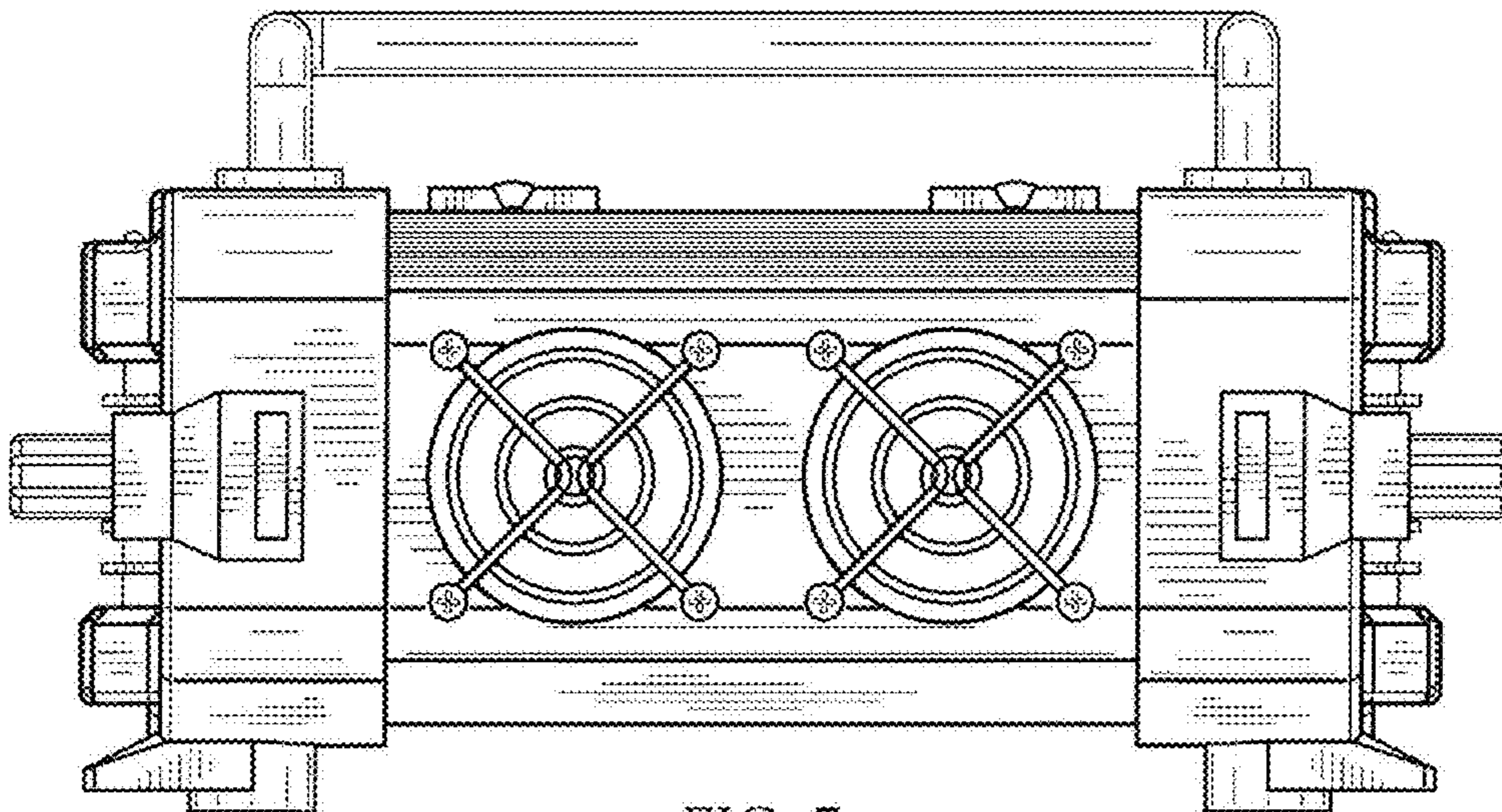


FIG. 7