

US00D761202S

(12) **United States Design Patent**
Aber

(10) **Patent No.:** **US D761,202 S**
(45) **Date of Patent:** **** Jul. 12, 2016**

- (54) **MOBILE WIRELESS POWER SOURCE**
- (71) Applicant: **EVERHEART SYSTEMS INC.**,
Webster, TX (US)
- (72) Inventor: **Greg S. Aber**, Houston, TX (US)
- (73) Assignee: **EverHeart Systems, Inc.**, Webster, TX
(US)
- (**) Term: **14 Years**
- (21) Appl. No.: **29/517,952**
- (22) Filed: **Feb. 18, 2015**
- (51) **LOC (10) Cl.** **13-02**
- (52) **U.S. Cl.**
USPC **D13/108**
- (58) **Field of Classification Search**
USPC D13/102–105, 107–110, 118, 119, 133,
D13/144, 184, 199; D14/251, 253, 356,
D14/432, 434; 320/197–115, 135, 138, 140;
D28/44, 49, 52, 53
CPC Y02E 60/12; Y02T 90/14; Y02T 90/122;
Y02T 90/128; Y02T 90/163; H02J 7/025;
H02J 7/042; H02J 7/044; H02J 7/0027;
H02J 7/0013; H02J 7/0054; B60R 16/03;
B60L 11/1809; B60L 11/1825; H01M 2/02;
H01M 2/022; H01M 2/0202; H01M 2/0207;
H01M 2/0212; H01M 2/1061; H01M 2/1022;
H01M 2/1055; H01M 2/1066; H01M 2/105;
H01M 2/20; H01M 2/202; H01M 2/204;
H01M 2/206
See application file for complete search history.

(56) **References Cited**

U.S. PATENT DOCUMENTS

- D307,886 S * 5/1990 Ching, Jr. D13/103
- 5,683,831 A 11/1997 Baril et al.
- 6,020,086 A * 2/2000 Van Lerberghe ... H01M 2/0207
429/127
- D483,722 S * 12/2003 Bailey D13/119

- 6,977,124 B2 12/2005 Probst et al.
- D517,982 S 3/2006 Rad et al.
- 7,074,520 B2 7/2006 Probst et al.
- D554,581 S 11/2007 Aquillano
- D560,165 S * 1/2008 Matityahu D13/133
- D568,240 S 5/2008 Haydvoegel
- D571,721 S * 6/2008 Yang D13/107
- D586,739 S * 2/2009 Zaremba 13/103
- D586,741 S * 2/2009 Song D13/103
- D593,940 S 6/2009 Nomi et al.
- D622,213 S 8/2010 Nomi et al.
- D663,686 S * 7/2012 Yang D13/108
- D674,333 S * 1/2013 Lemelman D13/103
- D682,777 S * 5/2013 Gupta D13/103
- D697,865 S 1/2014 Saito et al.
- D699,671 S * 2/2014 Walz D13/103
- D710,796 S * 8/2014 Ko D13/103
- 8,802,261 B2 8/2014 Goh et al.
- D726,106 S * 4/2015 Aber D13/103
- D727,908 S * 4/2015 Samuels D14/434

(Continued)

Primary Examiner — Rosemary K Tarcza
Assistant Examiner — Christy Nemeth
(74) *Attorney, Agent, or Firm* — McDermott Will & Emery
LLP

(57) **CLAIM**

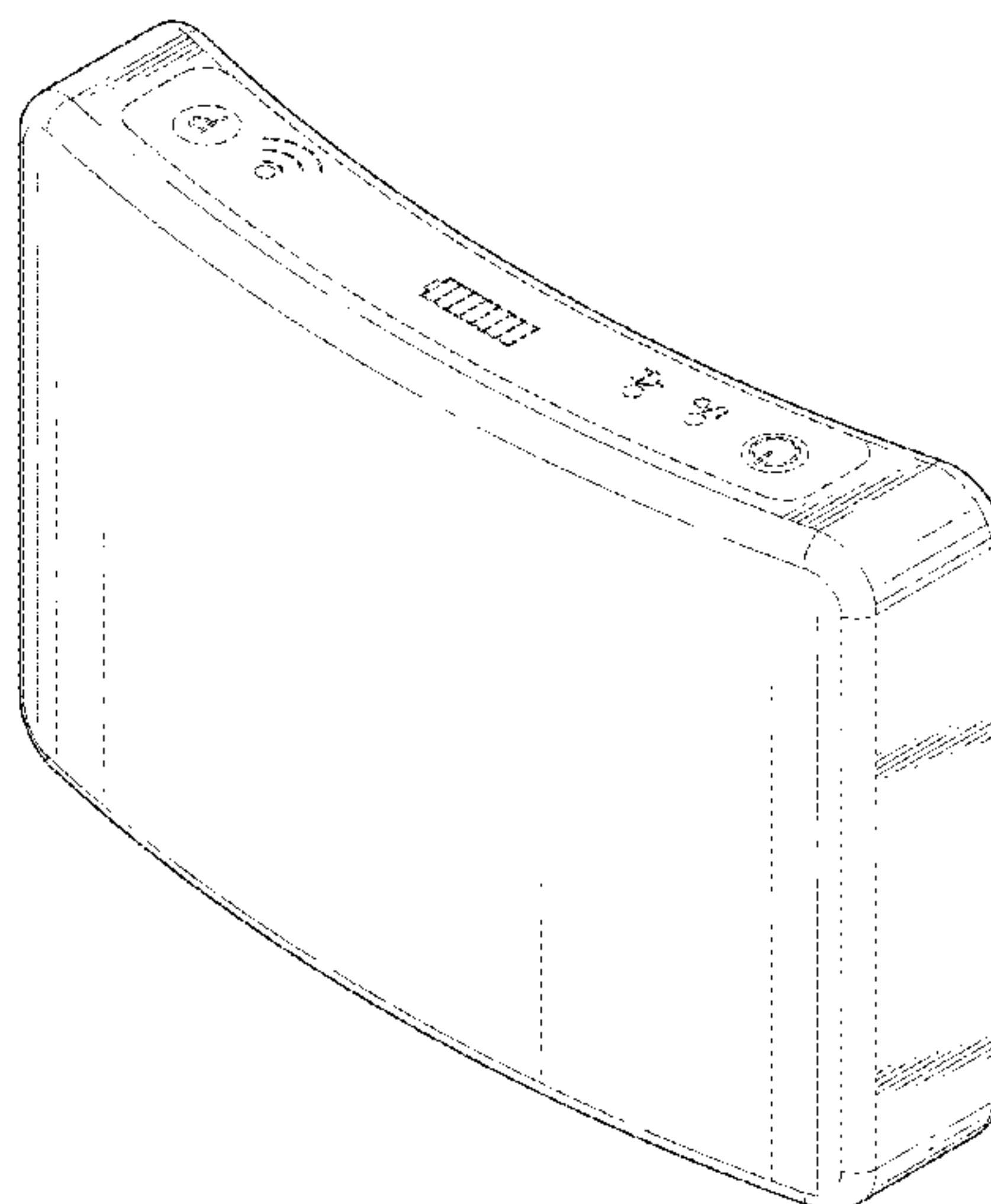
I claim the ornamental design for a mobile wireless power source, as shown and described.

DESCRIPTION

FIG. 1 shows a perspective view of a mobile wireless power source;
FIG. 2 shows a front view thereof;
FIG. 3 shows a rear view thereof;
FIG. 4 shows a right side view thereof;
FIG. 5 shows a left side view thereof;
FIG. 6 shows a top view thereof; and,
FIG. 7 shows a bottom view thereof.

The broken lines in the drawings are included for the purpose of illustrating elements of the mobile wireless power source which form no part of the claimed design.

1 Claim, 7 Drawing Sheets



US D761,202 S

Page 2

(56)

References Cited

U.S. PATENT DOCUMENTS

D733,051 S *	6/2015	Wang	D13/103	2011/0151284 A1*	6/2011	Baek	H01M 2/0267 429/7
D743,886 S *	11/2015	Nomi	D13/108	2015/0221900 A1*	8/2015	Seong	H01M 2/0202 429/94
2003/0017372 A1*	1/2003	Probst	A61N 1/375 429/7	2015/0228933 A1*	8/2015	Seong	H01M 2/0202 429/178
2006/0040178 A1*	2/2006	Probst	A61N 1/375 429/176	2015/0228934 A1*	8/2015	Seong	H01M 2/0202 429/163

* cited by examiner

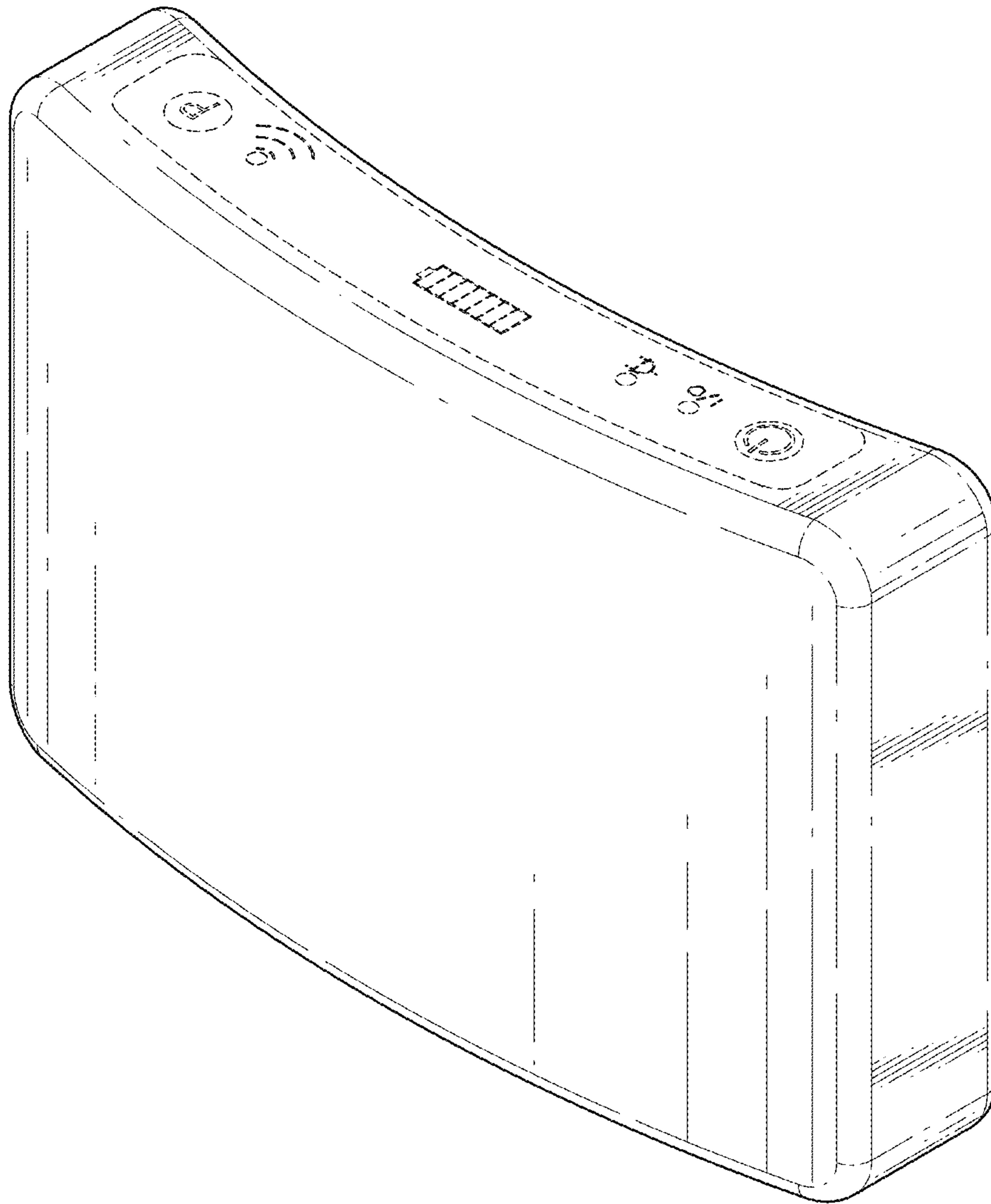


FIG. 1

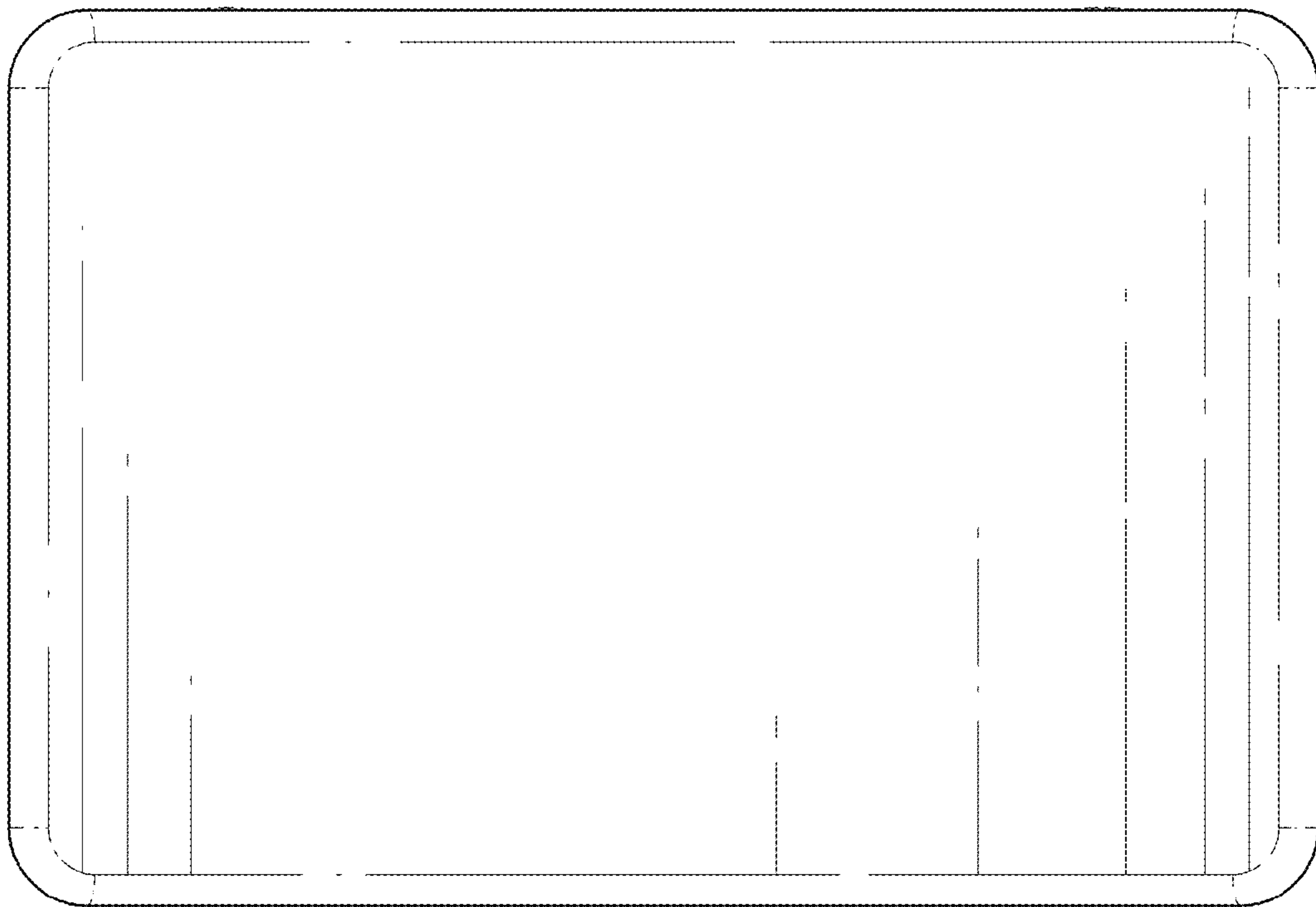


FIG. 2

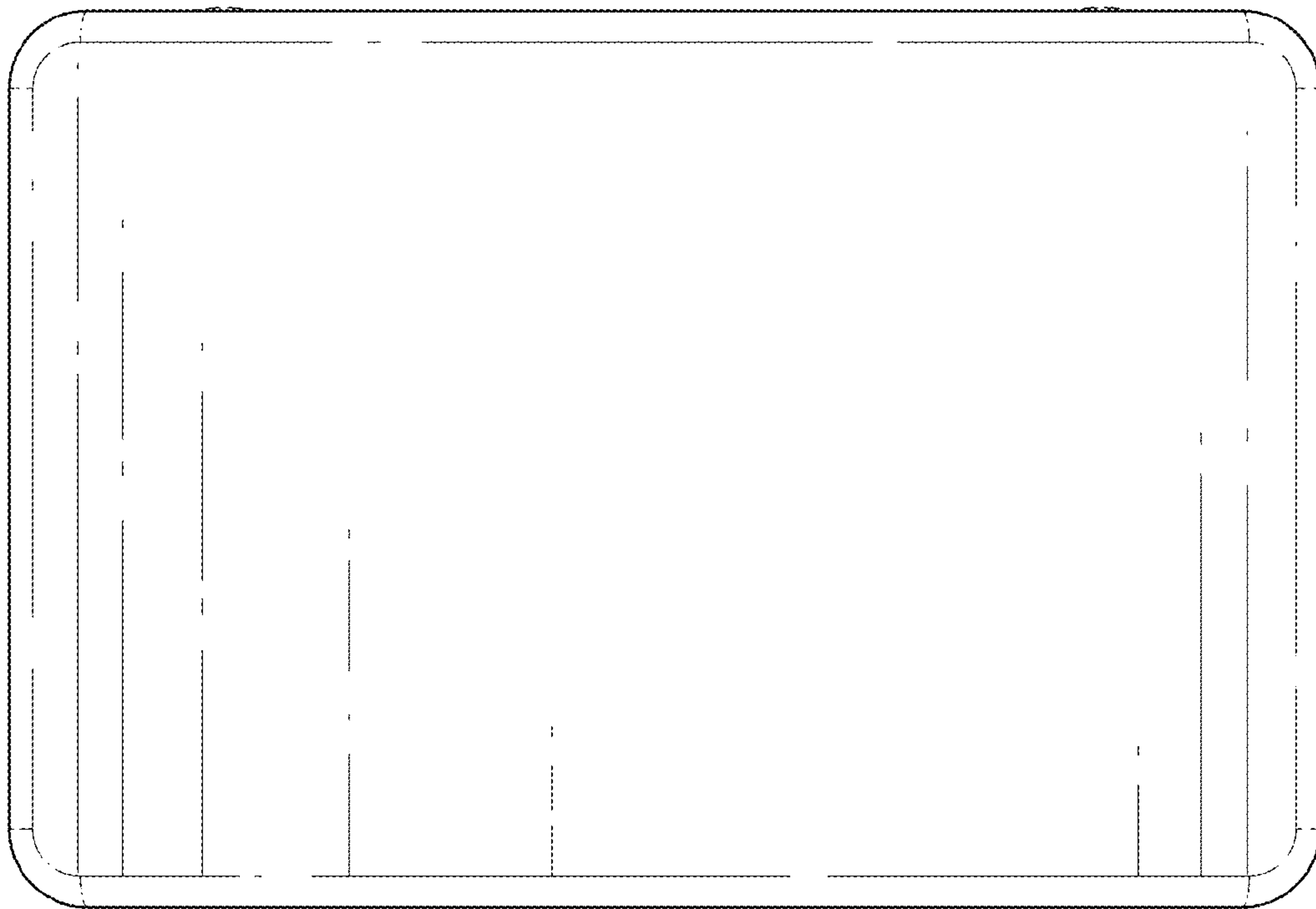


FIG. 3

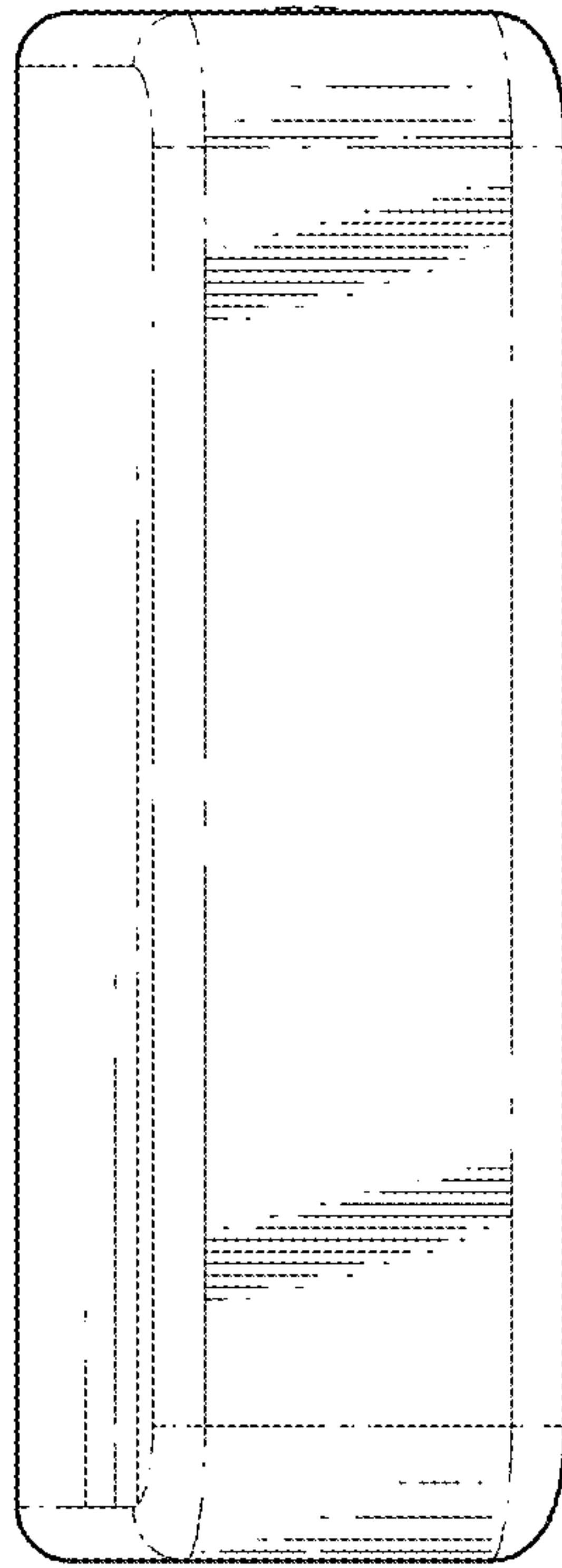


FIG. 4

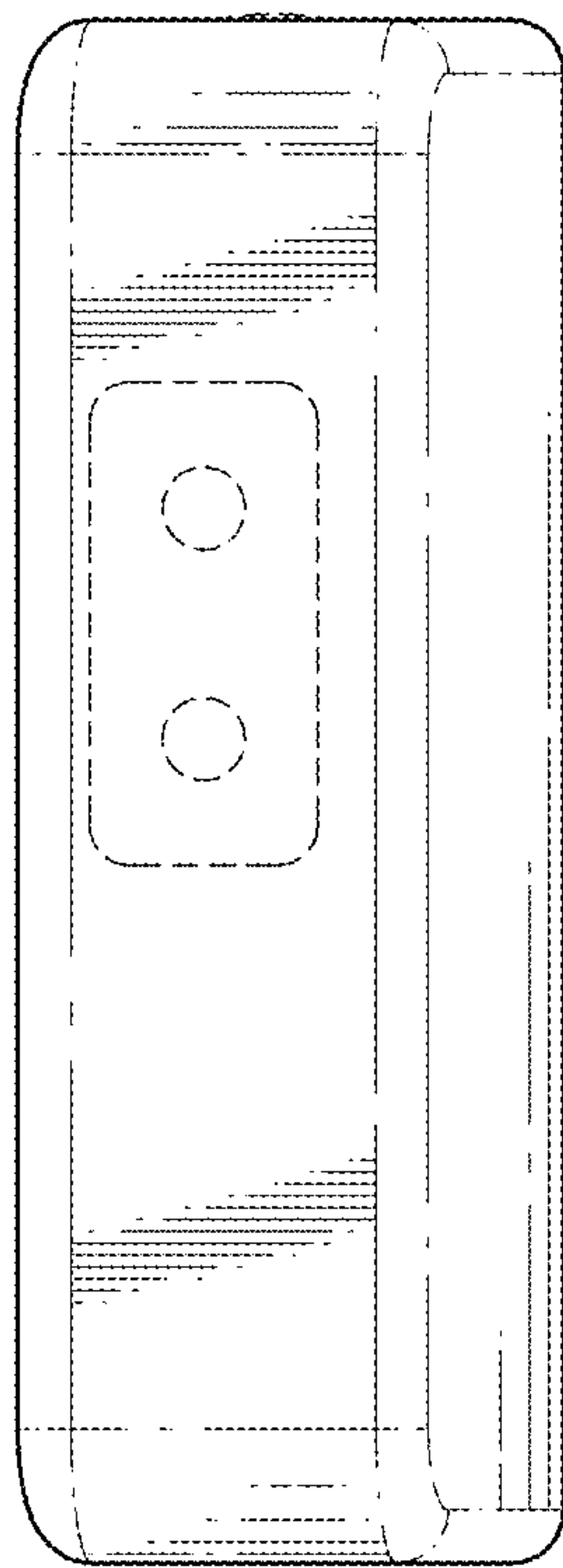


FIG. 5

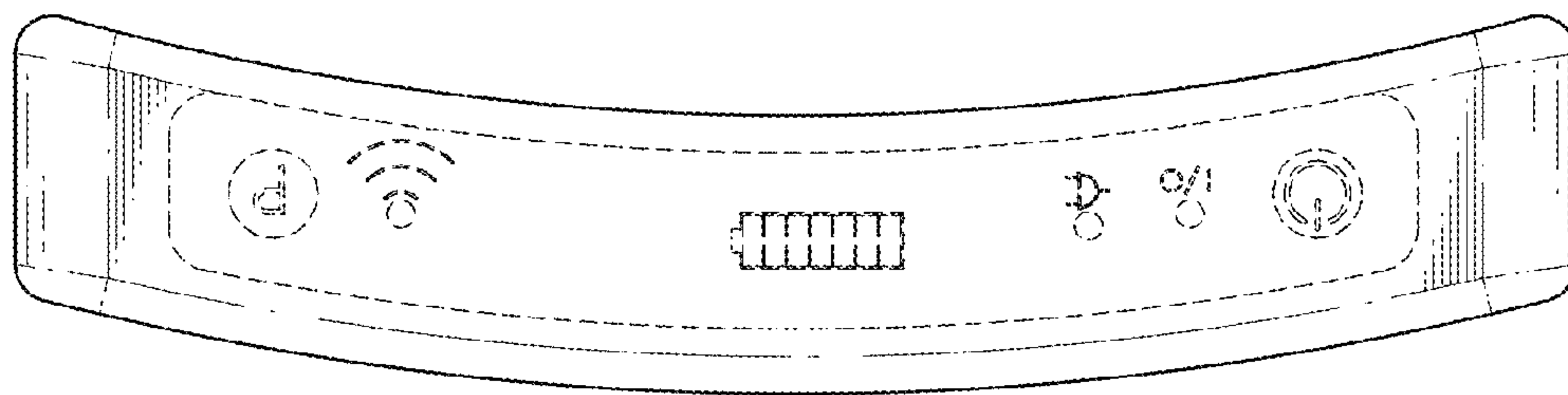


FIG. 6

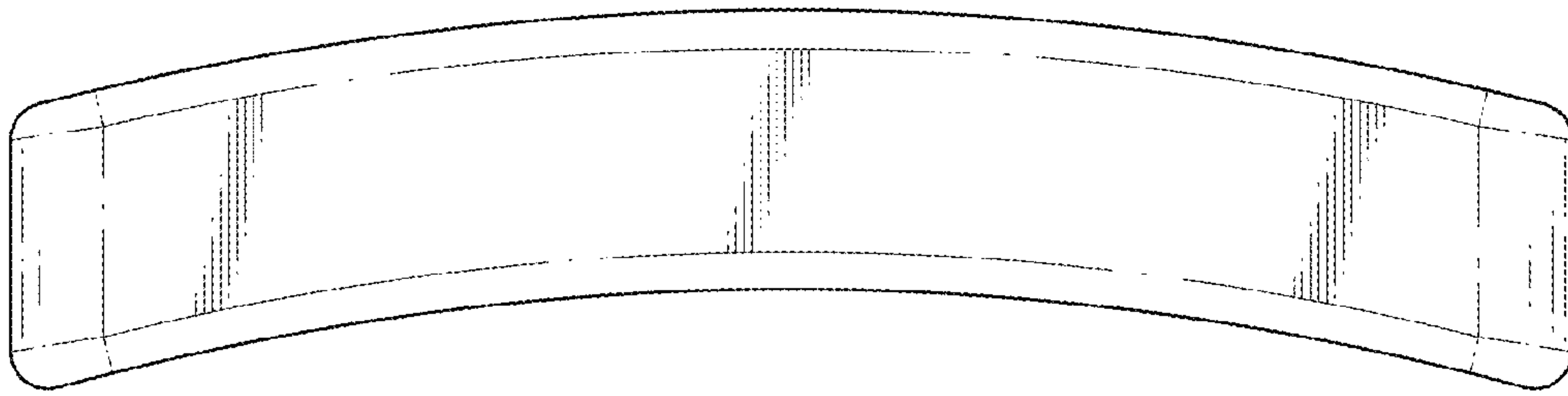


FIG. 7