



US00D761201S

(12) **United States Design Patent**
Ireland et al.

(10) **Patent No.:** **US D761,201 S**
(45) **Date of Patent:** **** *Jul. 12, 2016**

(54) **CHARGING UNIT**

H01M 10/425; H01M 10/465; H01M 10/482;
H01M 10/4257; H01M 10/0436; H01M 10/48;
H01M 2200/30; H01M 2250/30; H01M
2230/40; B60L 11/182

(71) Applicant: **Dyson Technology Limited**, Wiltshire
(GB)

See application file for complete search history.

(72) Inventors: **Simon Edward Ireland**, Tonbridge
(GB); **Leanne Joyce Garner**, Bristol
(GB)

(56) **References Cited**

(73) Assignee: **Dyson Technology Limited**,
Malmesbury, Wiltshire (GB)

U.S. PATENT DOCUMENTS

(*) Notice: This patent is subject to a terminal dis-
claimer.

D516,562 S	3/2006	Solomon et al.	
D520,013 S	5/2006	Yang	
D607,817 S	1/2010	Tan	
D635,918 S	4/2011	Le et al.	
D637,952 S	5/2011	Tan	
D642,519 S	8/2011	Woo et al.	
D643,842 S *	8/2011	Marshall D14/315
D644,645 S	9/2011	Huang et al.	
D674,336 S	1/2013	Suzuka et al.	
D674,337 S	1/2013	Au Yeung	

(**) Term: **14 Years**

(Continued)

(21) Appl. No.: **29/500,414**

Primary Examiner — Rosemary K Tarca

(22) Filed: **Aug. 25, 2014**

Assistant Examiner — Sanjeev Paul

(30) **Foreign Application Priority Data**

(74) *Attorney, Agent, or Firm* — Morrison & Foerster LLP

Feb. 25, 2014 (EM) 002412221-0002

(51) **LOC (10) Cl.** **13-02**

(57) **CLAIM**

(52) **U.S. Cl.**
USPC **D13/108**

We claim the ornamental design for a charging unit, as shown
and described.

(58) **Field of Classification Search**

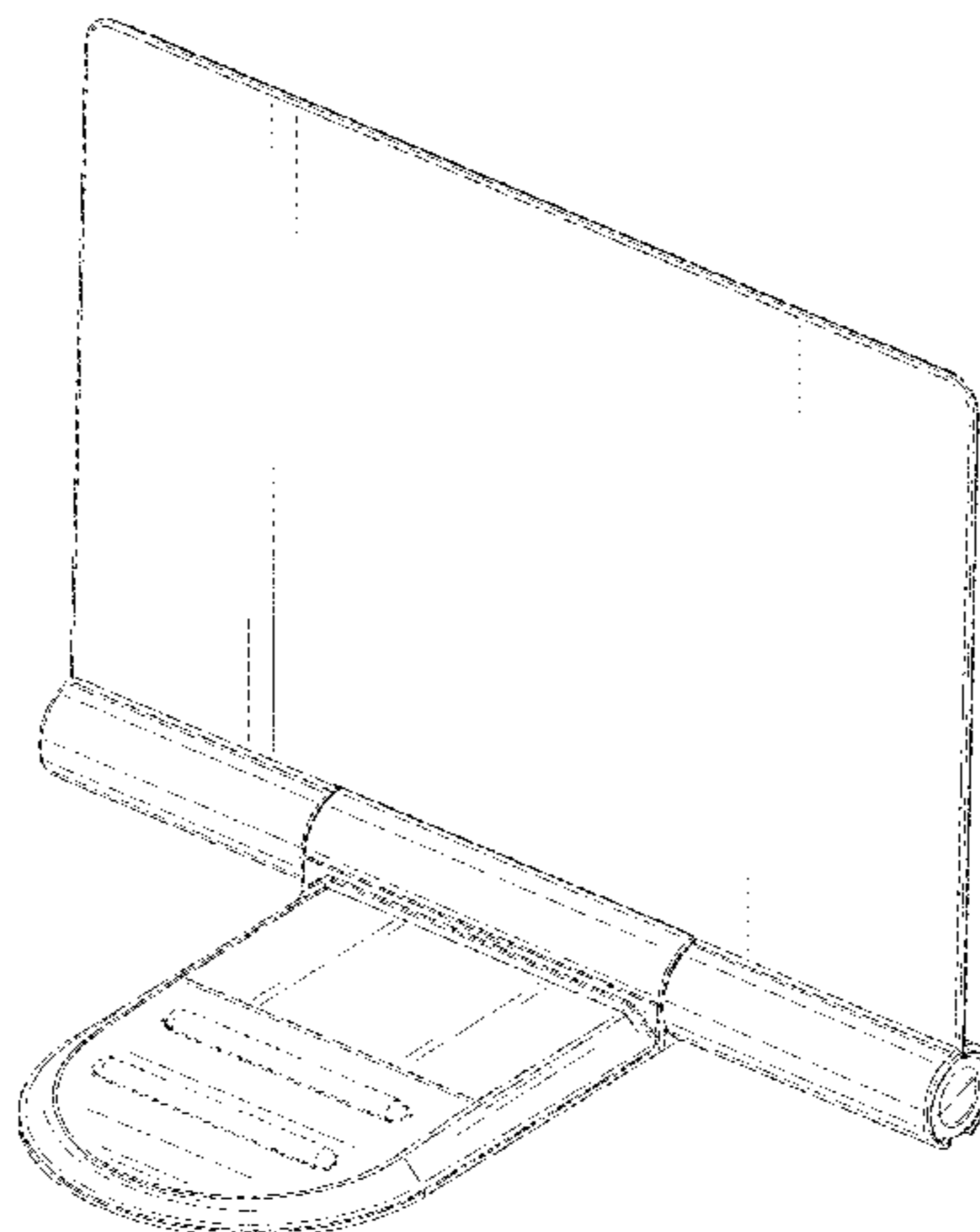
DESCRIPTION

USPC D13/102–110, 118–119, 184, 199, 133,
D13/144; D14/251, 253, 432, 434, 356,
D14/155; D15/9; 320/107–115
CPC Y02E 60/12; Y02E 60/10; Y02E 60/122;
Y02E 60/124; Y02E 60/50; Y02T 90/14;
Y02T 90/122; Y02T 90/128; Y02T 90/163;
H02J 7/025; H02J 7/0042; H02J 7/0044;
H02J 7/0045; H02J 7/0003; H02J 7/00;
H02J 7/0011; H02J 7/0013; H02J 7/0054;
H02J 7/0055; H02J 7/0057; H02J 2007/0062;
H01F 38/14; H01R 13/6675; H01M 2/02;
H01M 2/022; H01M 2/0202; H01M 2/0207;
H01M 2/0212; H01M 2/1061; H01M 2/1022;
H01M 2/1055; H01M 2/1066; H01M 2/105;
H01M 2/204; H01M 10/44; H01M 10/46;

FIG. 1 is a perspective front view of a charging unit showing
our new design;
FIG. 2 is a perspective rear view of FIG. 1; and
FIG. 3 is a front view thereof;
FIG. 4 is a rear view thereof;
FIG. 5 is a top view thereof;
FIG. 6 is a bottom view thereof; and,
FIG. 7 is a side view thereof.

The broken lines showing portions of the charging unit in the
drawings are included for the purpose of illustrating environ-
mental structure and form no part of the claimed design.

1 Claim, 7 Drawing Sheets



US D761,201 S

Page 2

(56)

References Cited

U.S. PATENT DOCUMENTS

D689,869 S * 9/2013 Bae D14/434
D690,647 S 10/2013 Huang et al.
D693,296 S 11/2013 Lin et al.

D703,133 S * 4/2014 Ireland D13/108
D735,709 S * 8/2015 Daniel D14/341
2009/0051319 A1 2/2009 Fang et al.

* cited by examiner

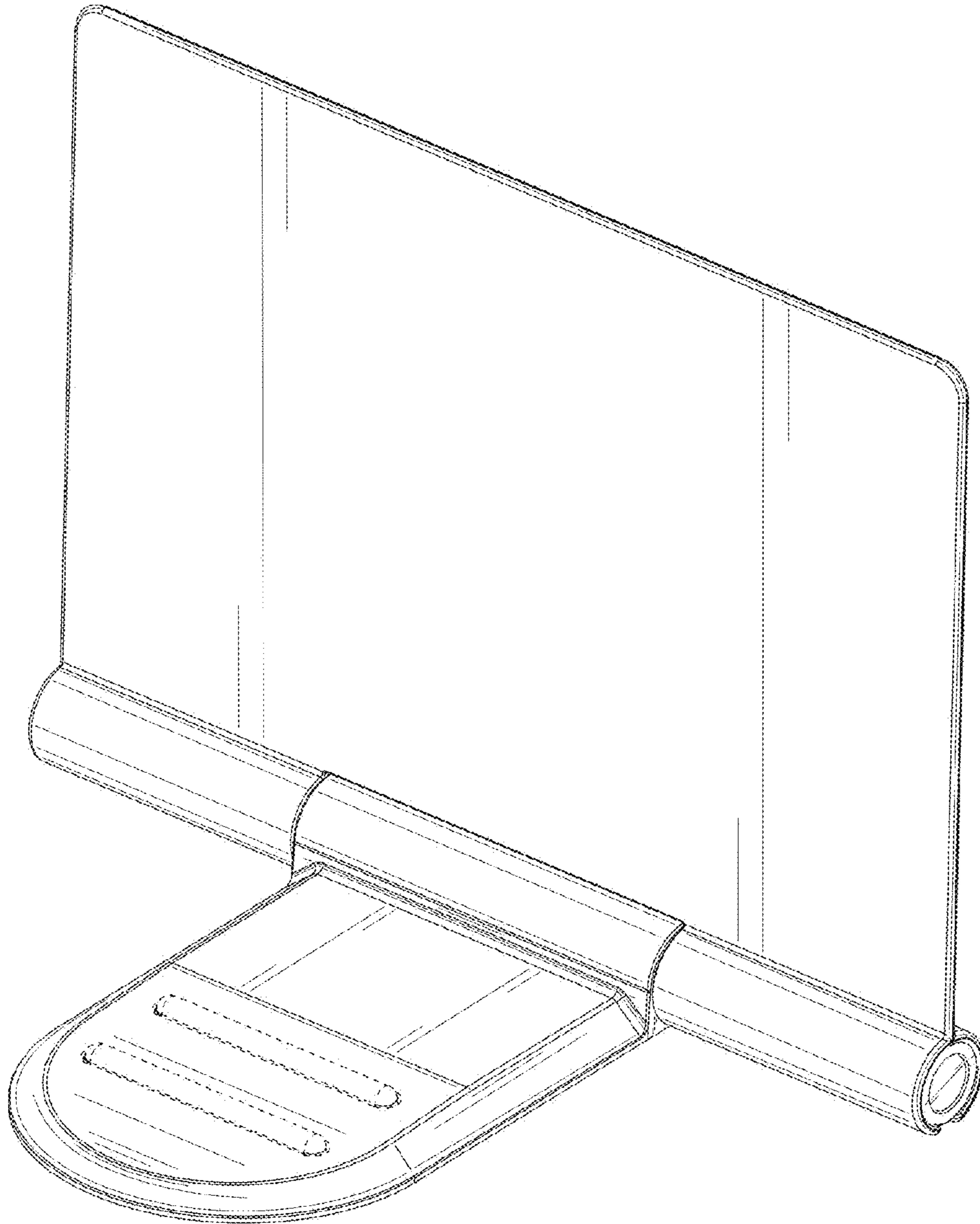


FIG. 1

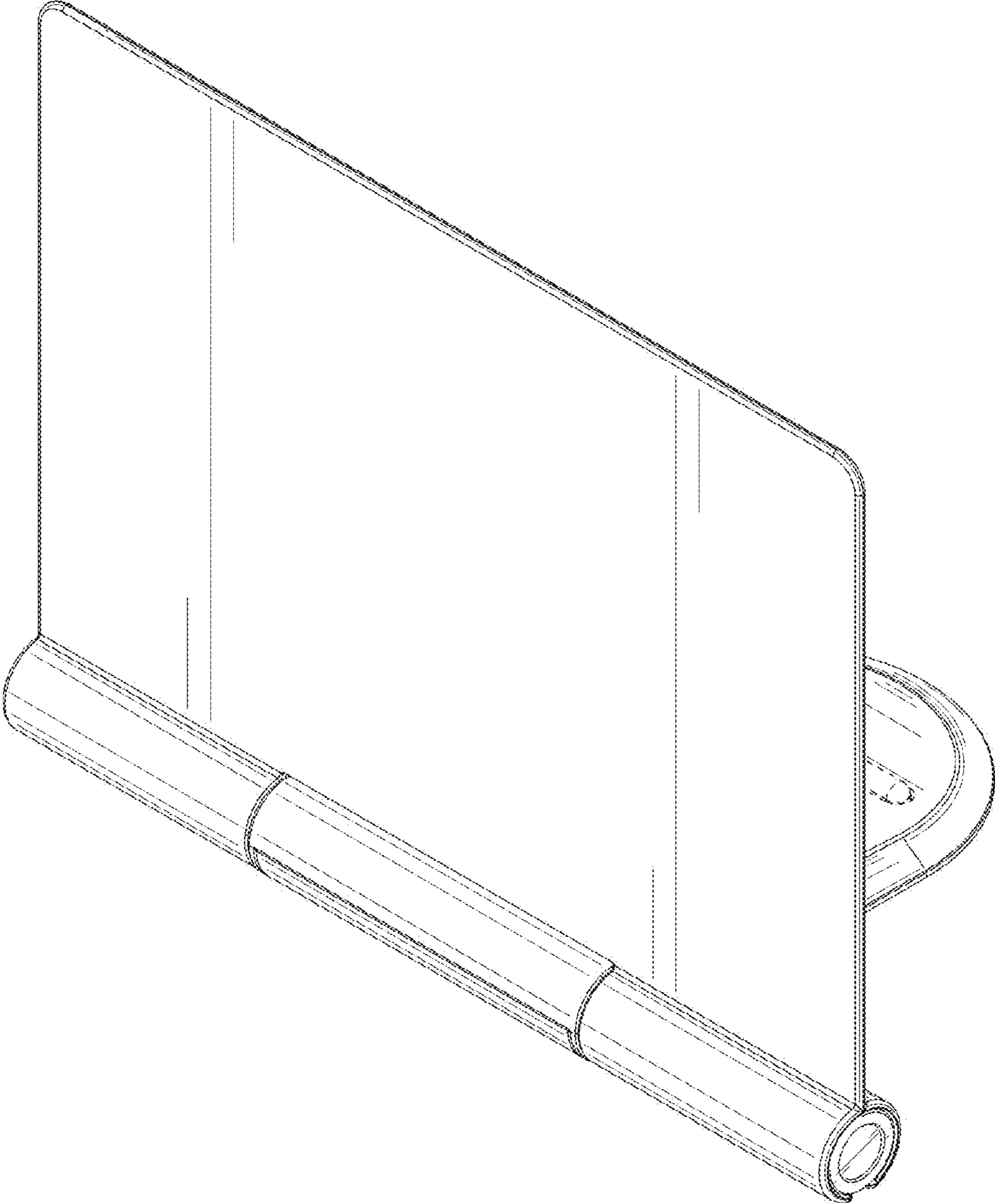


FIG. 2

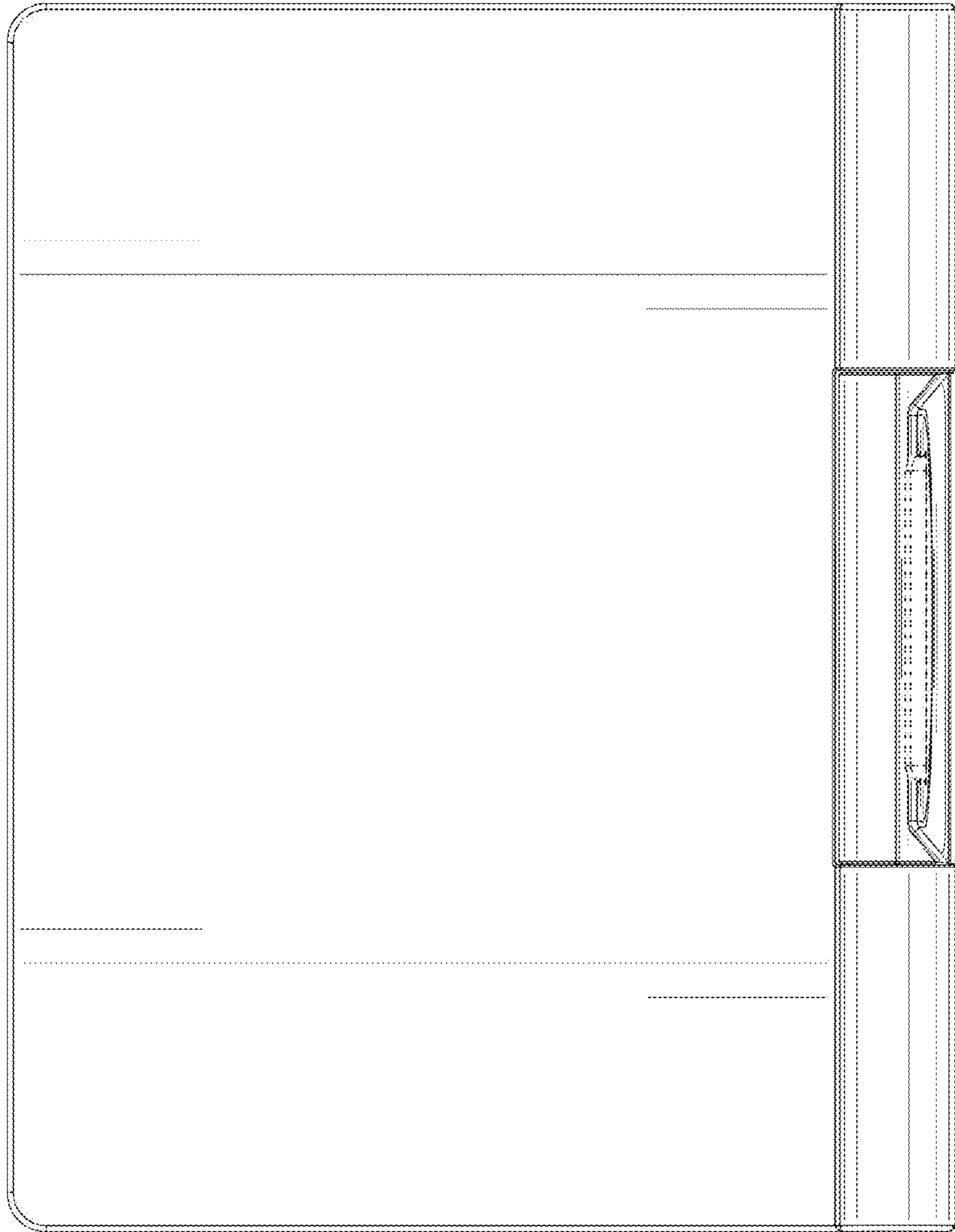


FIG. 3

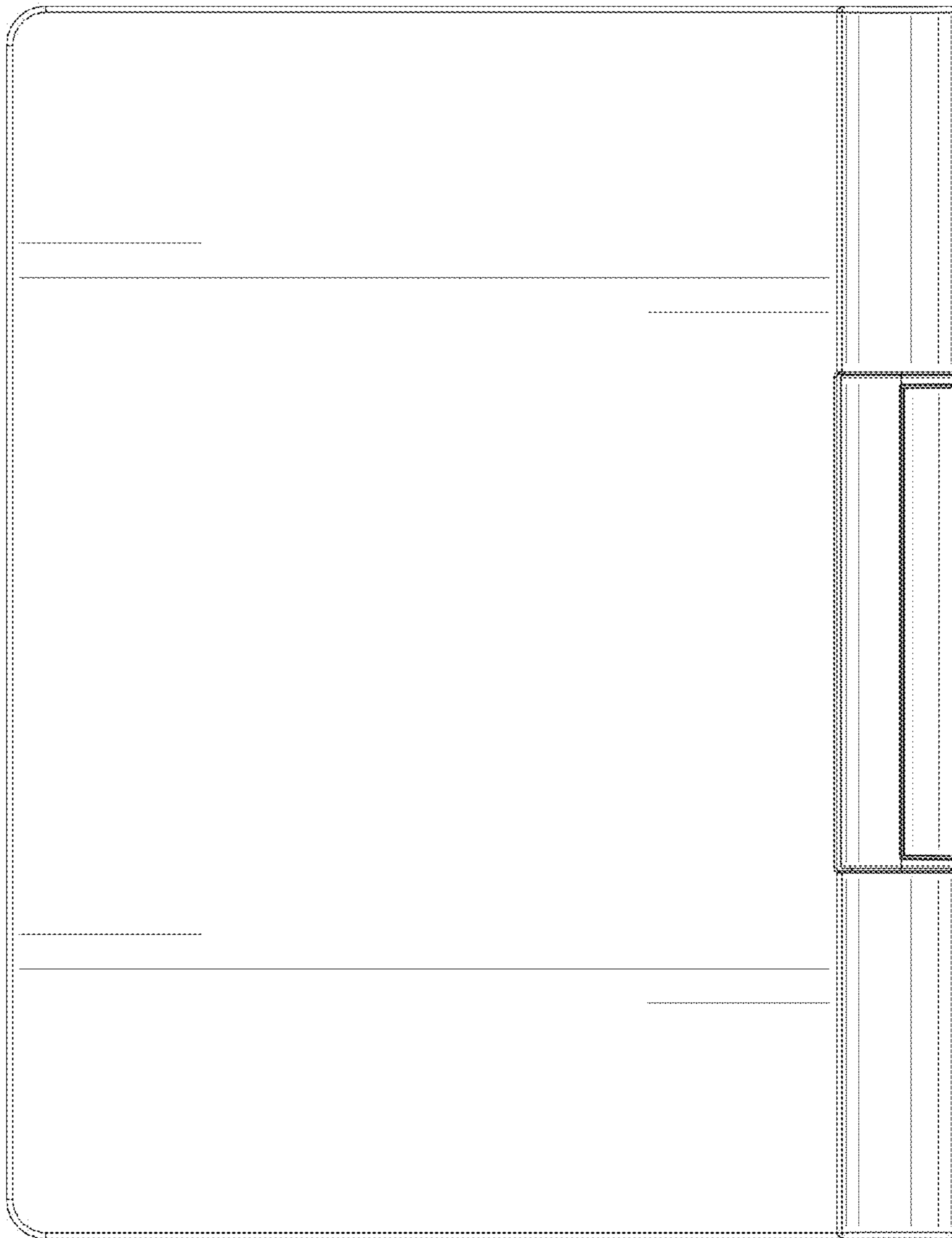


FIG. 4

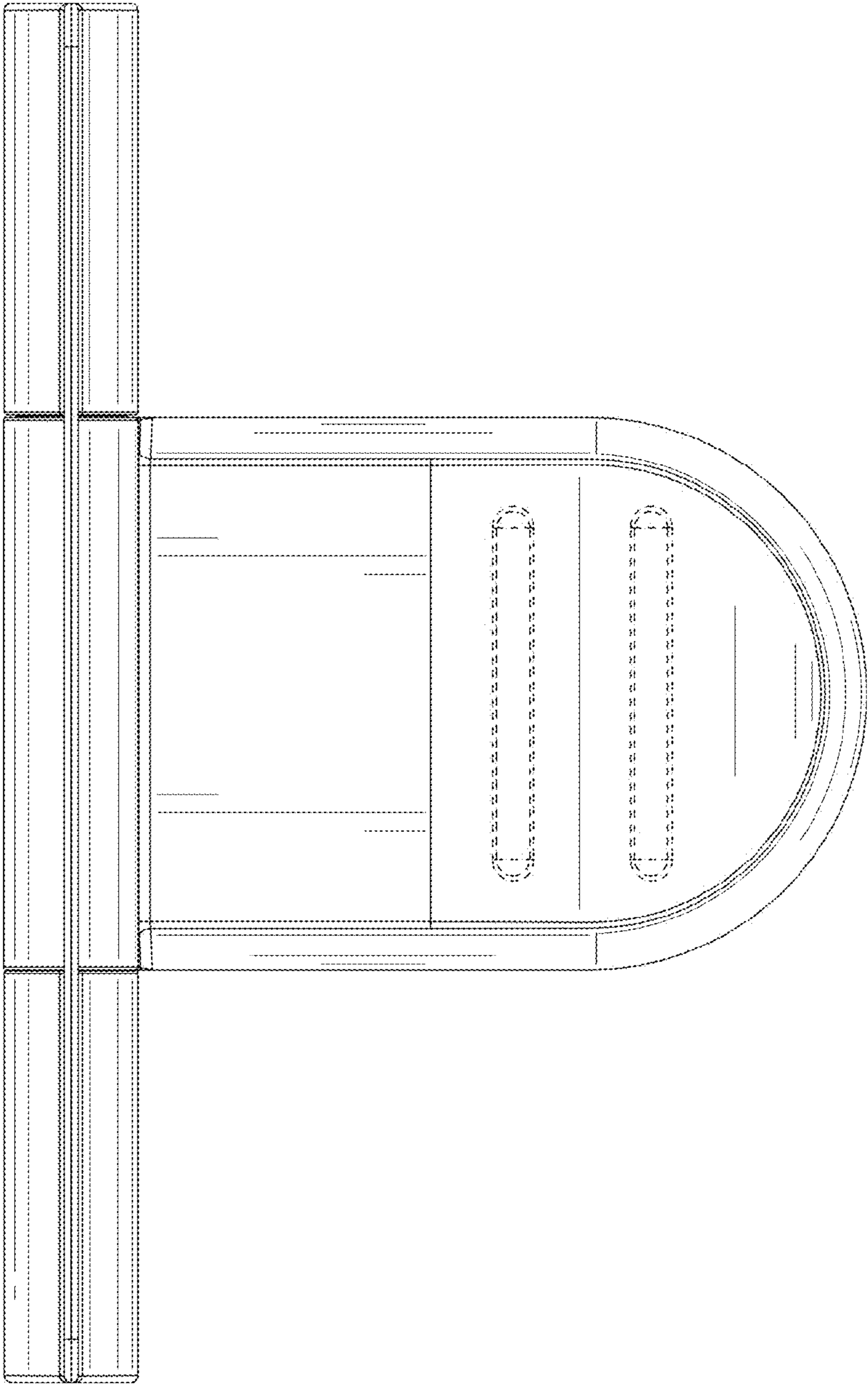


FIG. 5

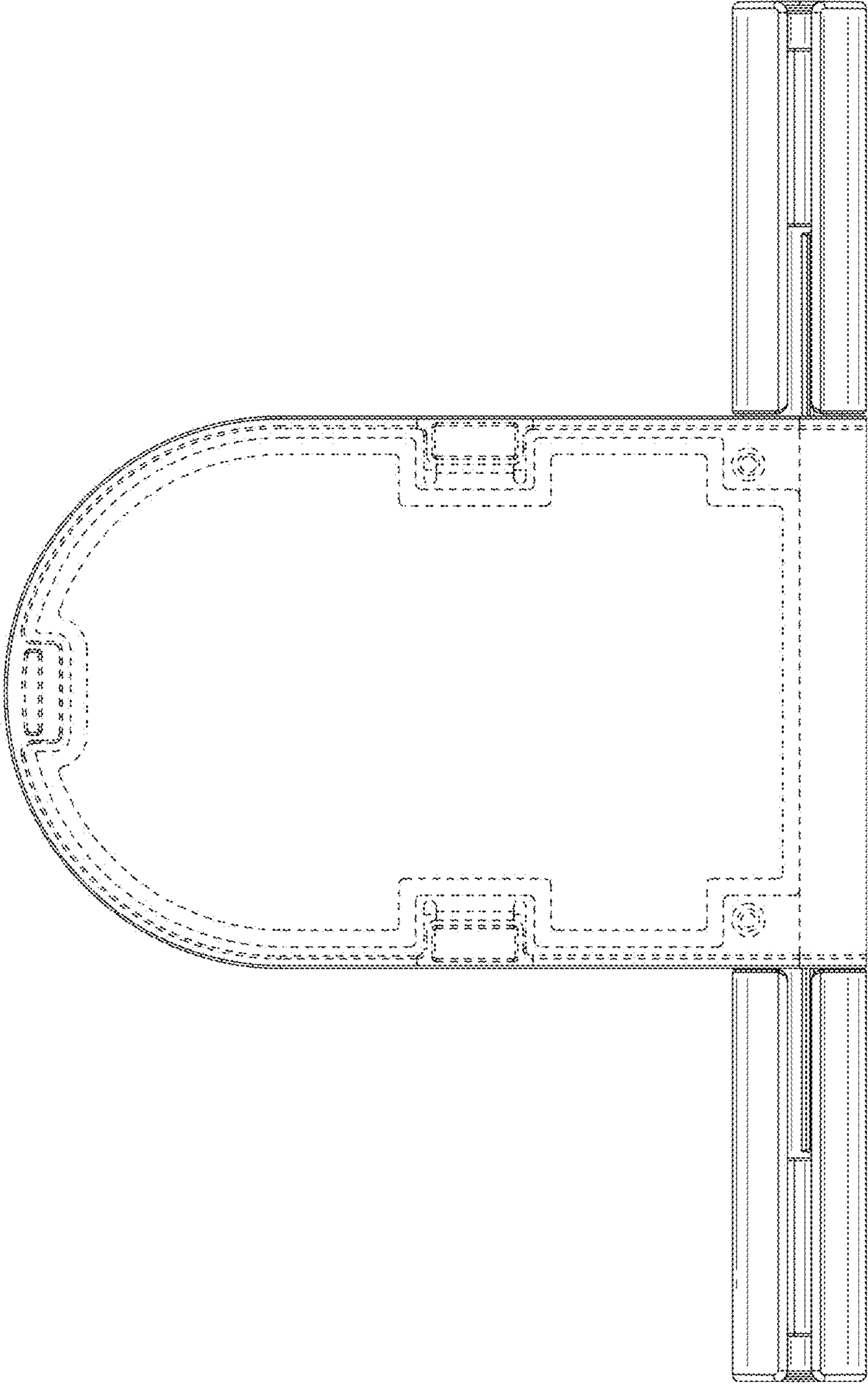


FIG. 6

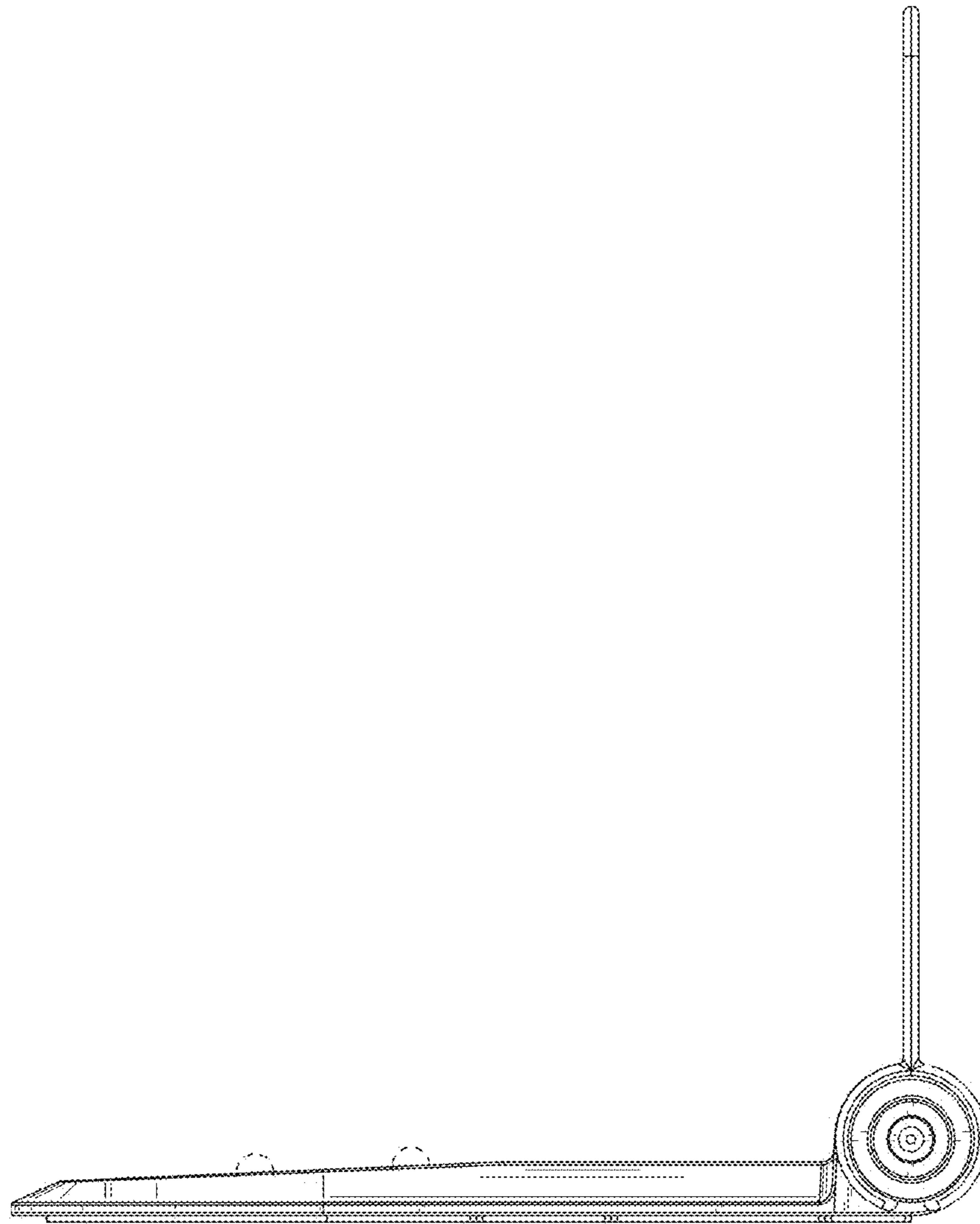


FIG. 7