



US00D761200S

(12) **United States Design Patent**  
**Inskeep**

(10) **Patent No.:** **US D761,200 S**  
(45) **Date of Patent:** **\*\* \*Jul. 12, 2016**

(54) **BATTERY CHARGER**

(71) Applicant: **Mathew Inskeep**, Highland Beach, FL  
(US)

(72) Inventor: **Mathew Inskeep**, Highland Beach, FL  
(US)

(\*) Notice: This patent is subject to a terminal disclaimer.

(\*\*) Term: **14 Years**

(21) Appl. No.: **29/510,083**

(22) Filed: **Nov. 25, 2014**

(51) **LOC (10) Cl.** ..... **13-02**

(52) **U.S. Cl.**  
USPC ..... **D13/107**

(58) **Field of Classification Search**  
USPC ..... D13/102, 103, 134, 105, 106, 107, 108,  
D13/110, 118, 119, 120, 121, 184, 199;  
429/96, 97, 98, 99, 100, 149, 163, 176,  
429/187; 220/532, 533; 180/68.5  
CPC ..... H02J 7/0042  
See application file for complete search history.

(56) **References Cited**

U.S. PATENT DOCUMENTS

D291,432 S *	8/1987	Yaguchi	.....	D13/116
D354,729 S *	1/1995	Poon	.....	D13/106
D393,446 S *	4/1998	Bellofatto et al.	.....	D13/106
D403,660 S *	1/1999	Poon	.....	D13/106
D413,859 S *	9/1999	Ido et al.	.....	D13/103
6,222,342 B1 *	4/2001	Eggert et al.	.....	320/105
D508,675 S *	8/2005	Krieger et al.	.....	D13/107
D512,685 S *	12/2005	Krieger et al.	.....	D13/107
D514,508 S *	2/2006	Krieger et al.	.....	D13/107
D514,509 S *	2/2006	Krieger et al.	.....	D13/107
D515,028 S *	2/2006	Krieger et al.	.....	D13/107
D517,983 S *	3/2006	Krieger et al.	.....	D13/107
D519,448 S *	4/2006	Leung	.....	D13/107
D523,395 S *	6/2006	Krieger et al.	.....	D13/107

D530,665 S *	10/2006	Krieger et al.	.....	D13/107
D530,666 S *	10/2006	Krieger et al.	.....	D13/107
D538,739 S *	3/2007	Zheng	.....	D13/107
D549,644 S *	8/2007	Hulden	.....	D13/107
D593,236 S *	5/2009	Ng et al.	.....	D26/37
D601,495 S *	10/2009	Shum et al.	.....	D13/107
D609,634 S *	2/2010	Daniels et al.	.....	D13/107
D615,490 S *	5/2010	Chien	.....	D13/107
D624,876 S *	10/2010	Daniels et al.	.....	D13/107
D624,877 S *	10/2010	Daniels et al.	.....	D13/107
D634,706 S *	3/2011	Takeo et al.	.....	D13/107

(Continued)

OTHER PUBLICATIONS

“Stanley J5C09 1000 Peak Amp Jump Starter with Built in Compressor.” Accessed: Dec. 15, 2015. Stanley. [http://www.amazon.com/St Stanley-J5C09-Starter-Built-Compressor/dp/B002X6VXL4/ref=lp\\_318336011\\_1\\_1?s=automotive&ie=UTF8&qid=1450212044&sr=1-1.\\*](http://www.amazon.com/St Stanley-J5C09-Starter-Built-Compressor/dp/B002X6VXL4/ref=lp_318336011_1_1?s=automotive&ie=UTF8&qid=1450212044&sr=1-1.*)

(Continued)

*Primary Examiner* — Manpreet Matharu  
*Assistant Examiner* — Suzanne Tisdell

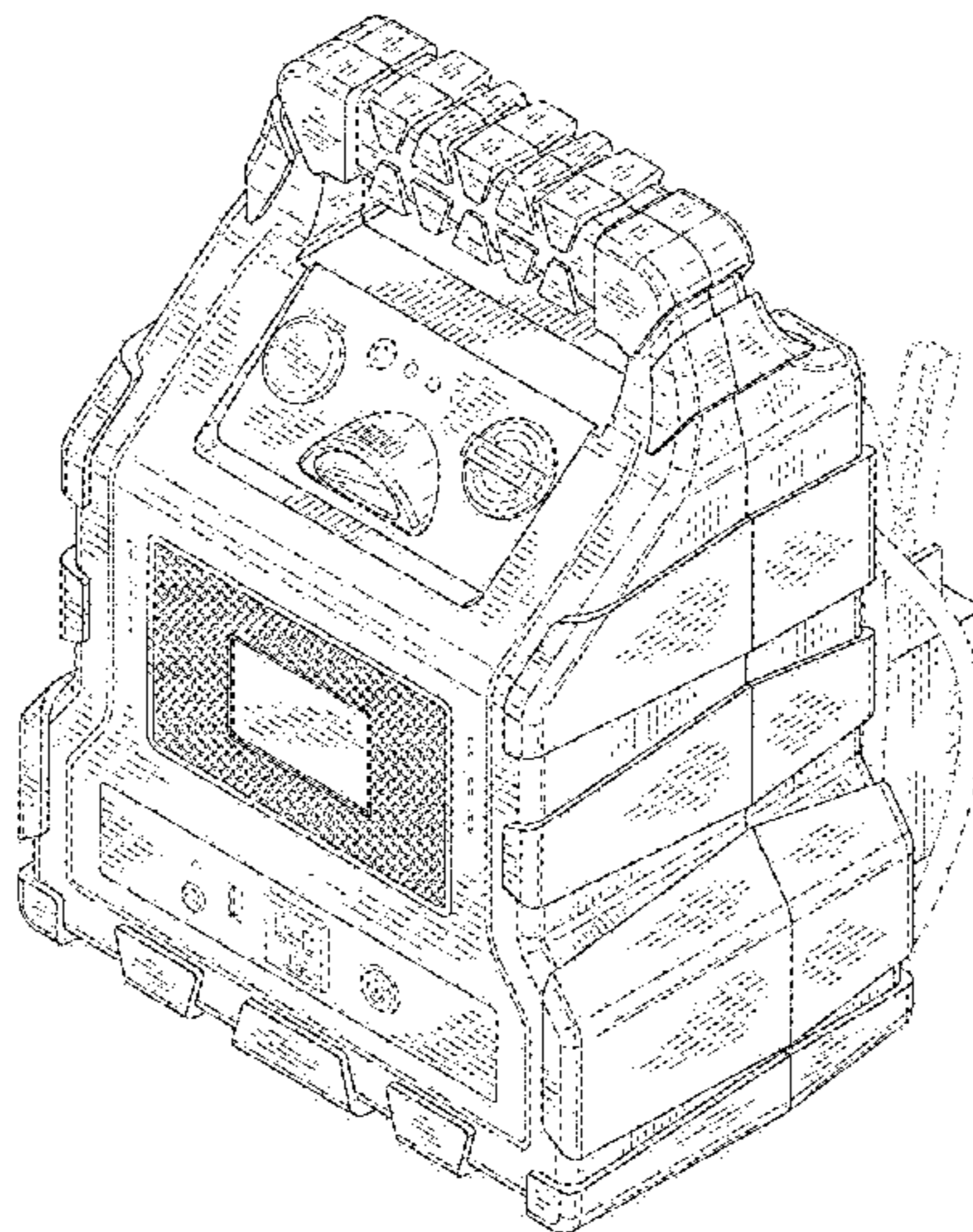
(57) **CLAIM**

I claim the ornamental design for a battery charger, as shown and described.

**DESCRIPTION**

FIG. 1 is a top perspective view of the battery charger showing my new design.  
FIG. 2 is a bottom perspective view thereof.  
FIG. 3 is a top view thereof.  
FIG. 4 is a bottom view thereof.  
FIG. 5 is a left side view thereof.  
FIG. 6 is a right side view thereof.  
FIG. 7 is a front view thereof; and,  
FIG. 8 is a back view thereof.  
The broken lines in the drawings depict portions of the battery charger that form no part of the claimed design.

**1 Claim, 8 Drawing Sheets**



(56)

**References Cited**

U.S. PATENT DOCUMENTS

D635,090 S \* 3/2011 DuMelle et al. .... D13/107  
 D635,510 S \* 4/2011 Inskeep ..... D13/107  
 D640,401 S \* 6/2011 Wu et al. .... D26/50  
 D662,051 S \* 6/2012 Saunders et al. .... D13/110  
 D662,053 S \* 6/2012 Inskeep ..... D13/110  
 D686,157 S \* 7/2013 Kawase et al. .... D13/119  
 D693,295 S \* 11/2013 Inskeep ..... D13/107  
 D693,766 S \* 11/2013 Hiroto et al. .... D13/110  
 D699,672 S \* 2/2014 Kosugi et al. .... D13/103  
 D712,348 S \* 9/2014 Zhang ..... D13/103  
 D722,954 S \* 2/2015 James ..... D13/107  
 D725,031 S \* 3/2015 Tinius ..... D13/103  
 D725,038 S \* 3/2015 Nemoto et al. .... D13/119  
 D727,847 S \* 4/2015 Jaskowiak ..... D13/116  
 D729,728 S \* 5/2015 Inskeep ..... D13/107  
 D734,258 S \* 7/2015 Yin ..... D13/110

D735,701 S \* 8/2015 Maxam et al. .... D14/240  
 D736,198 S \* 8/2015 Merbeth ..... D14/300  
 D741,795 S \* 10/2015 Conrad et al. .... D13/108  
 D742,308 S \* 11/2015 James ..... D13/107  
 D742,821 S \* 11/2015 James ..... D13/107  
 2015/0091392 A1\* 4/2015 Hwang ..... 307/150

OTHER PUBLICATIONS

“Husky Jump Starter: Why it stands out in the market.” Posted: Feb. 2, 2015. Best jump starter. <http://jumpstarterhq.com/husky-jump-starter-why-it-stand-out-in-the-market>.  
 “Guide Gear 5-in-1 Jump Starter with Power inverter and air compressor.” Accessed: Dec. 15, 2015. Sportsman’s guide. <http://www.sportsmansguide.com/product/index/guide-gear-5-in-1-jump-starter-with-power-inverter-amp-air-compressor?a=873637>.  
 “Husky Elite Jump Starter.” Posted Jan. 15, 2007. RC Groups. <http://www.rcgroups.com/forums/showthread.php?t=627205>.

\* cited by examiner



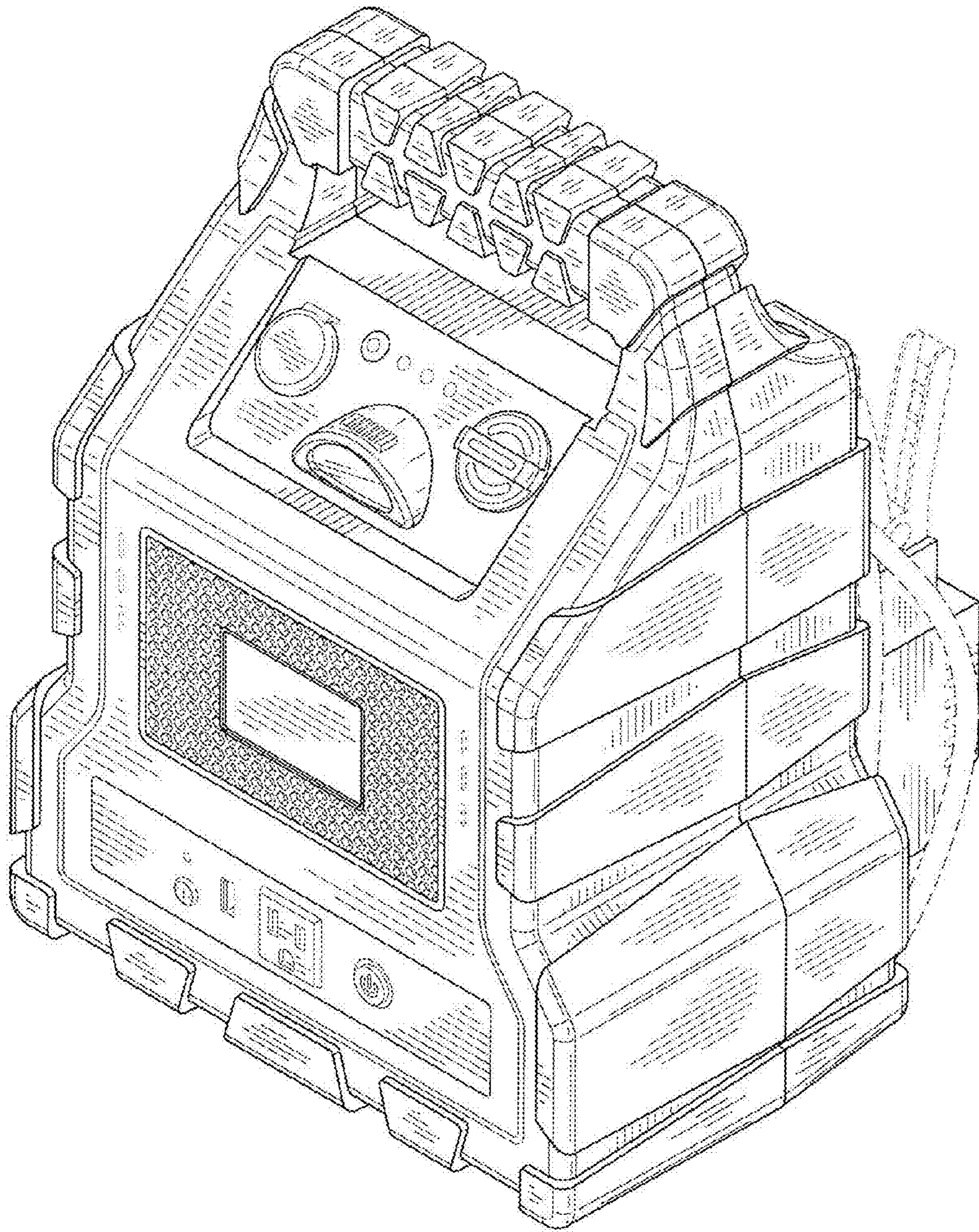


FIG. 1



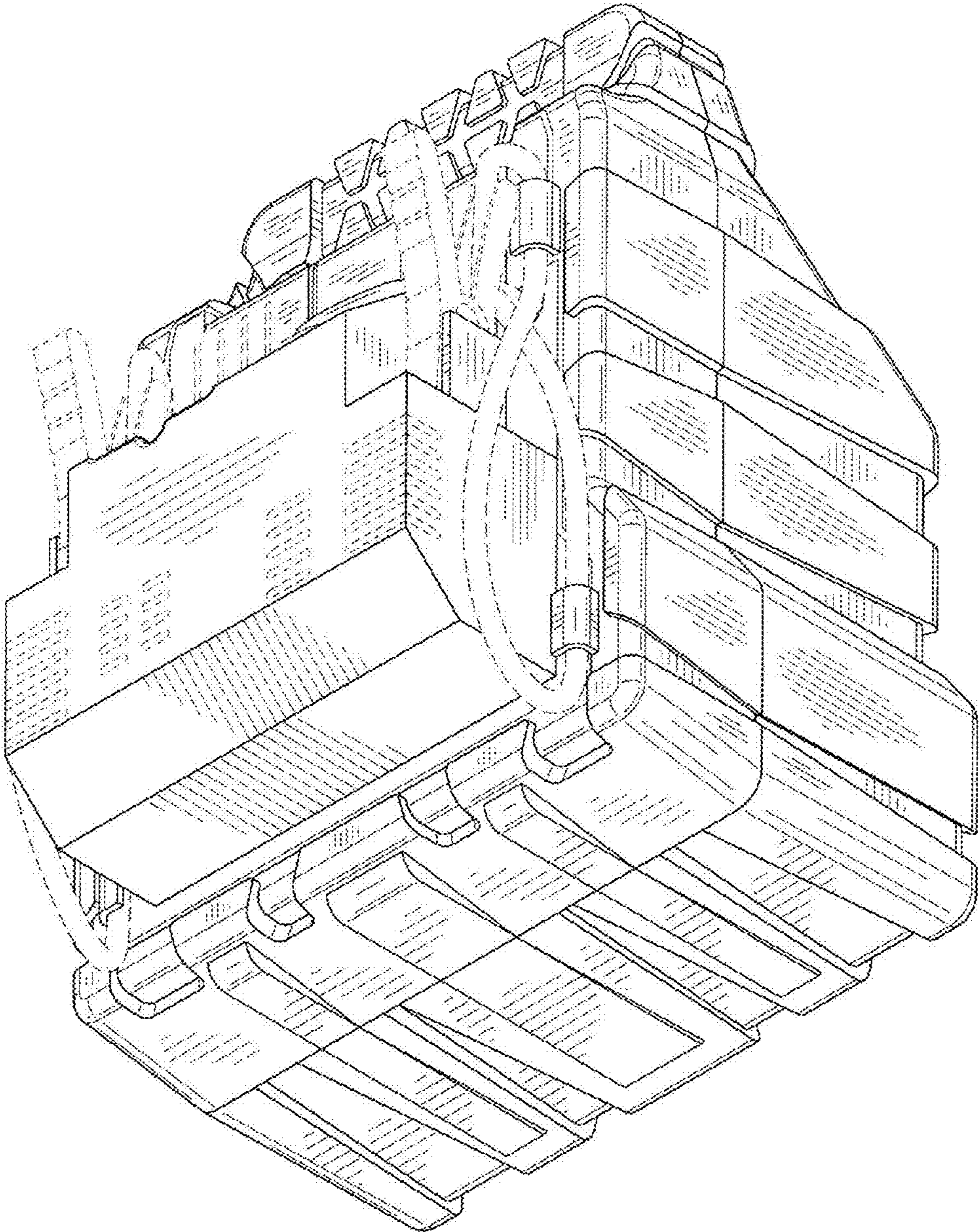


FIG. 2

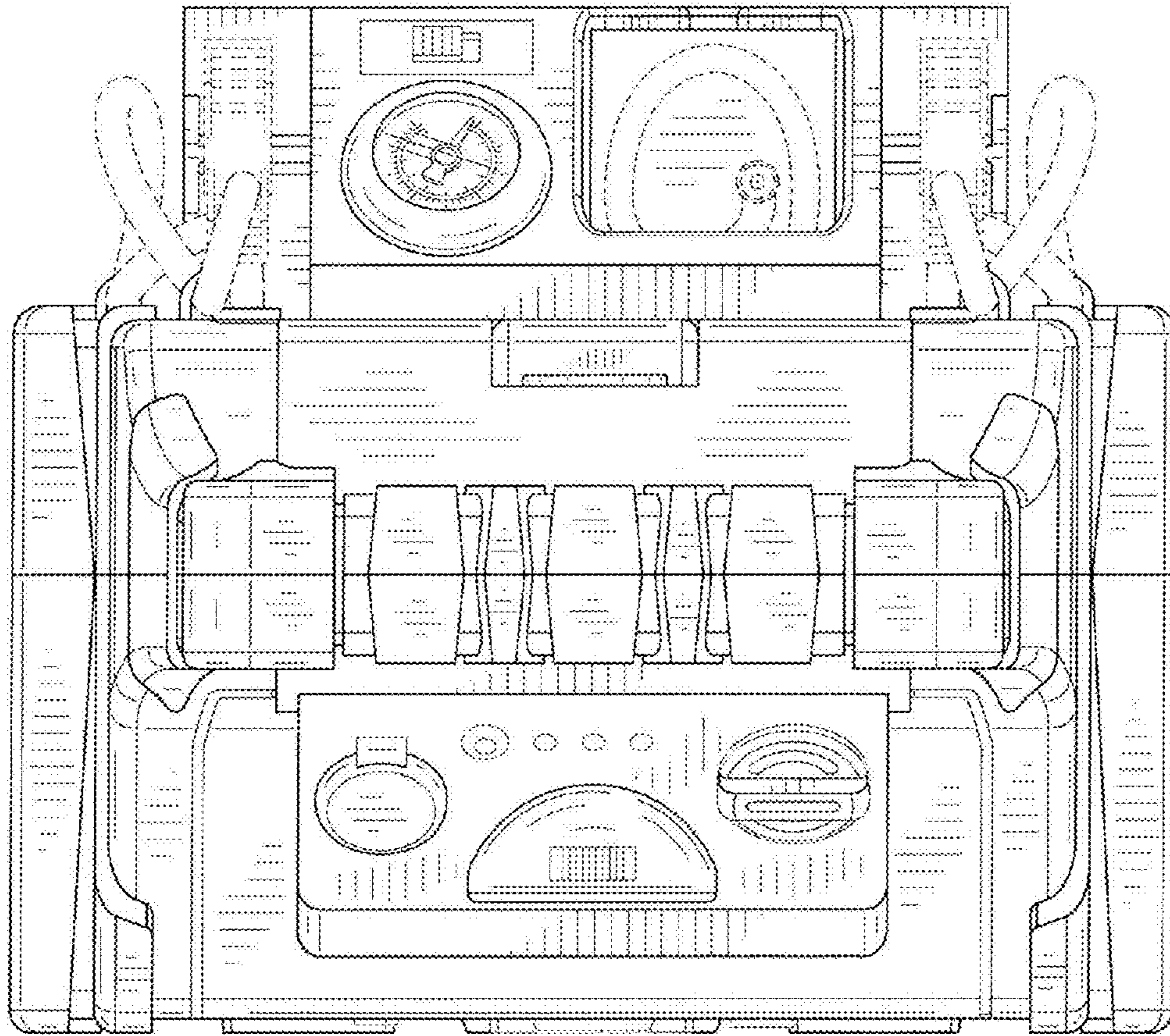


FIG. 3



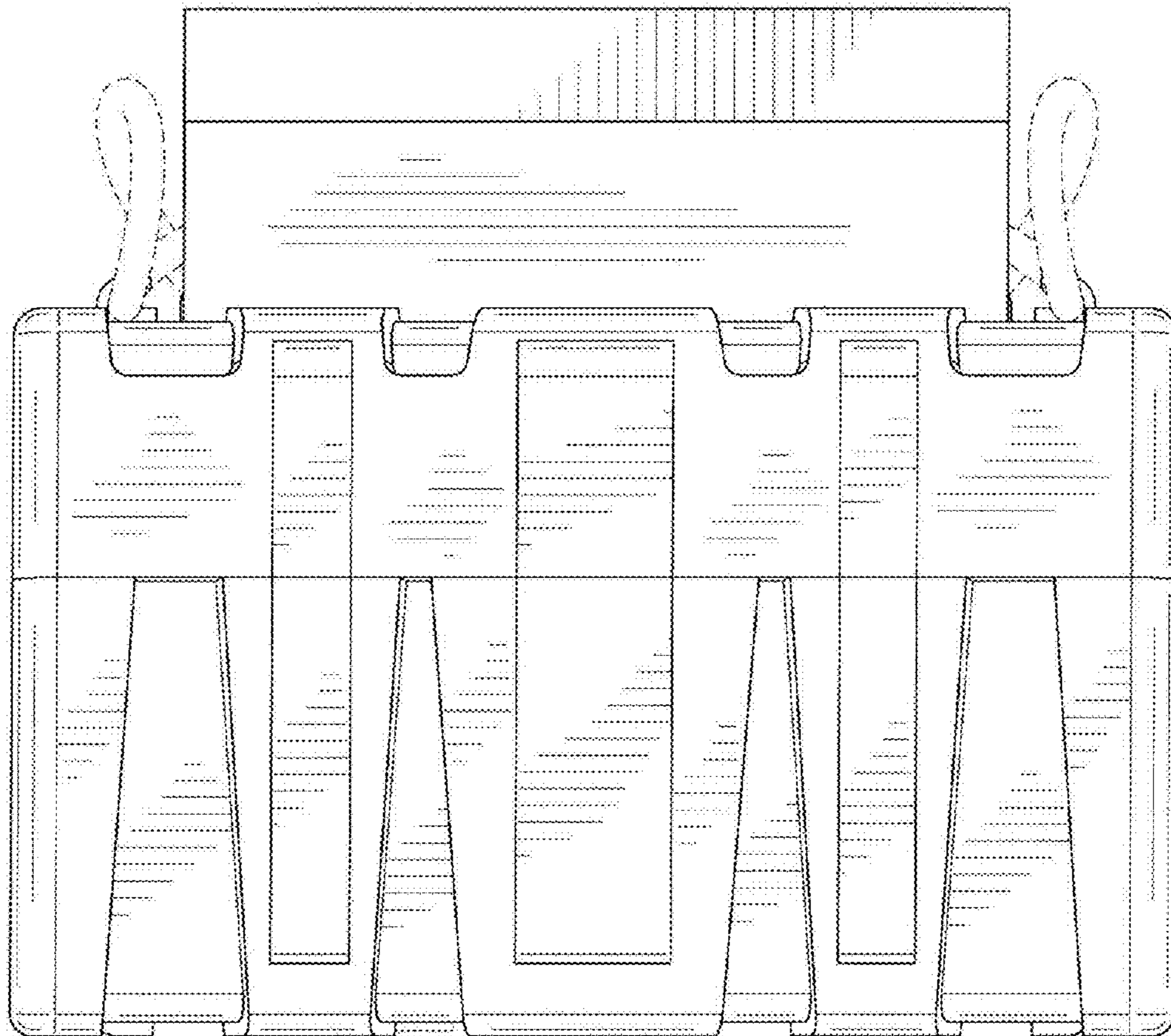


FIG. 4

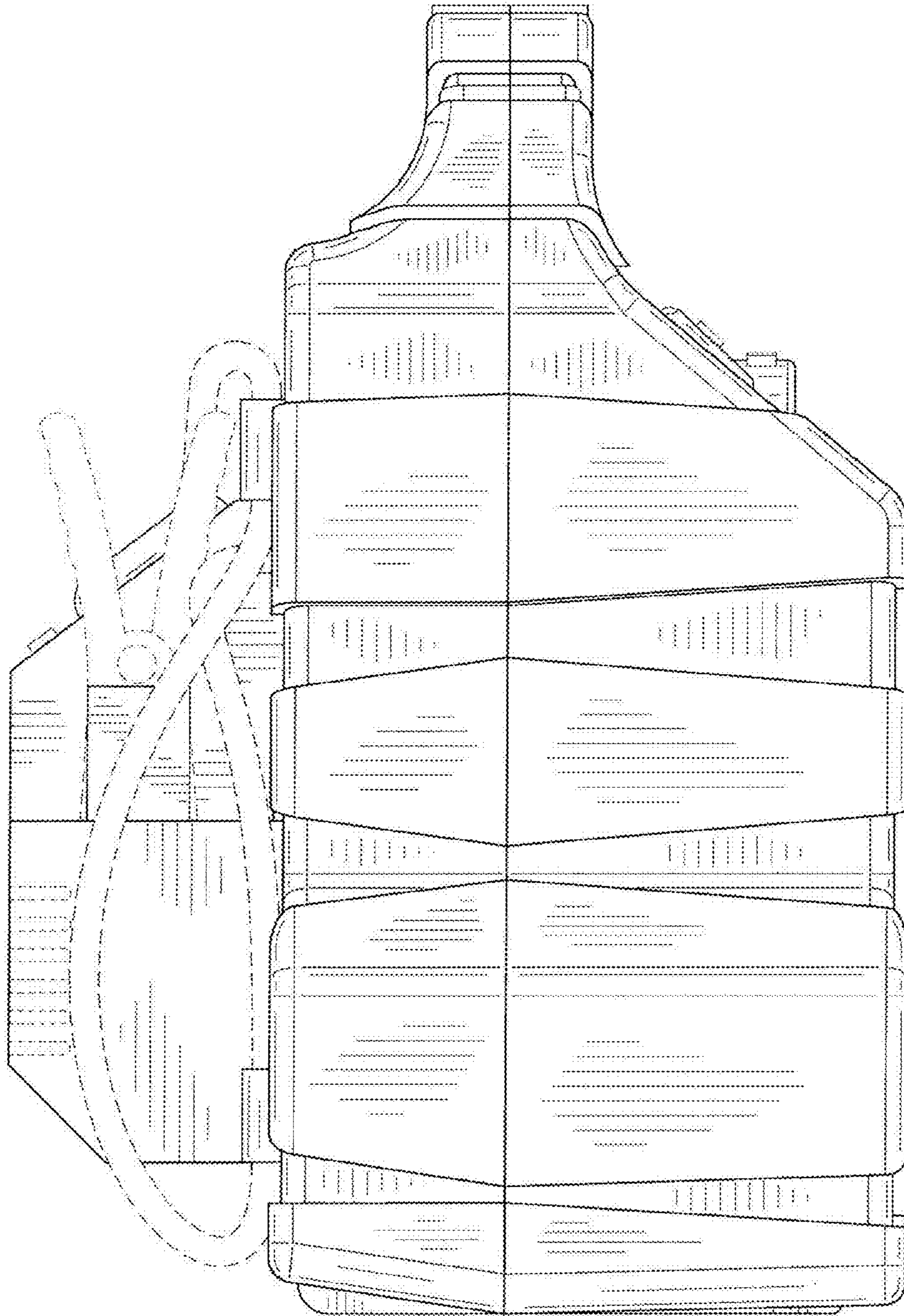


FIG. 5

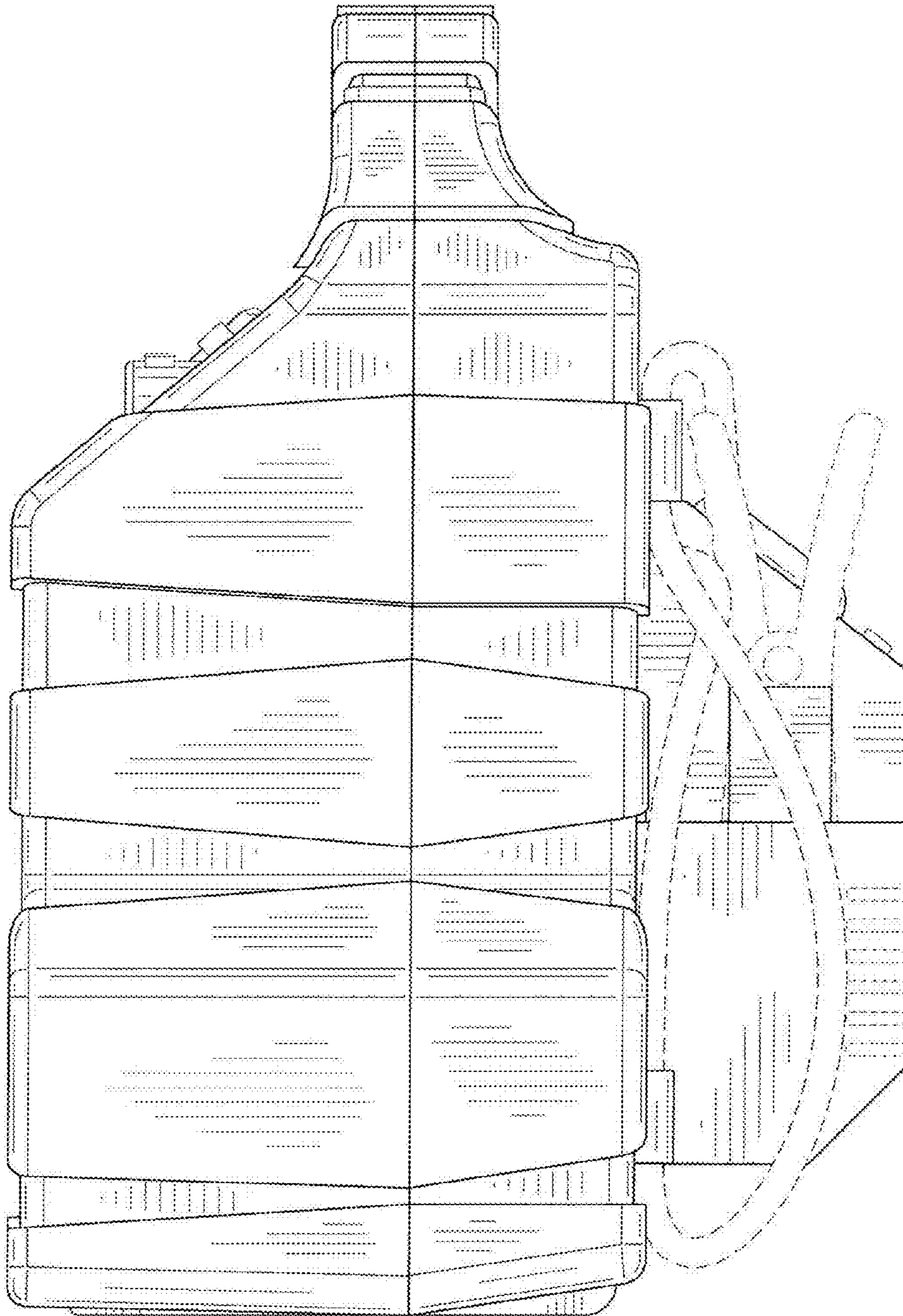


FIG. 6



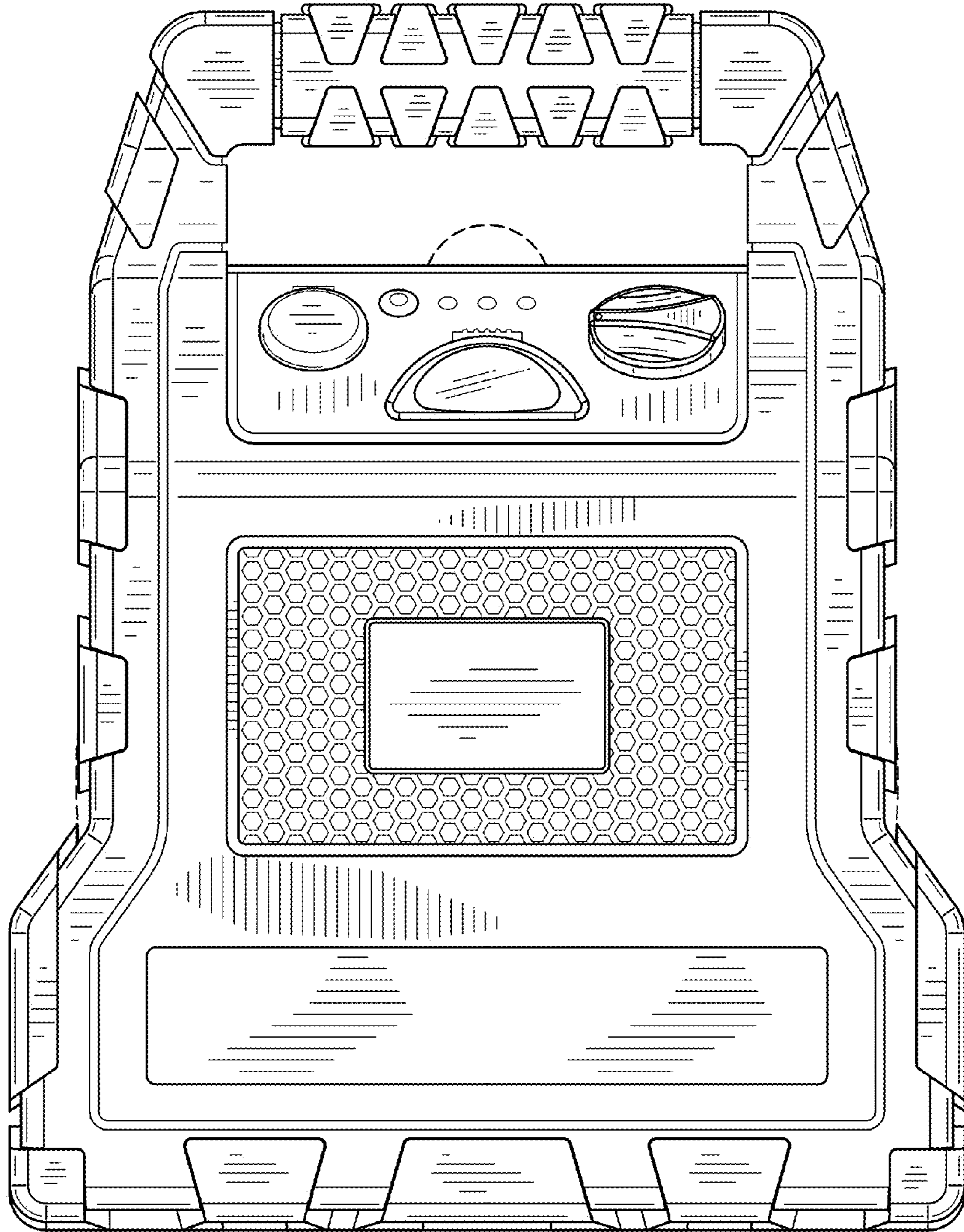


FIG. 7

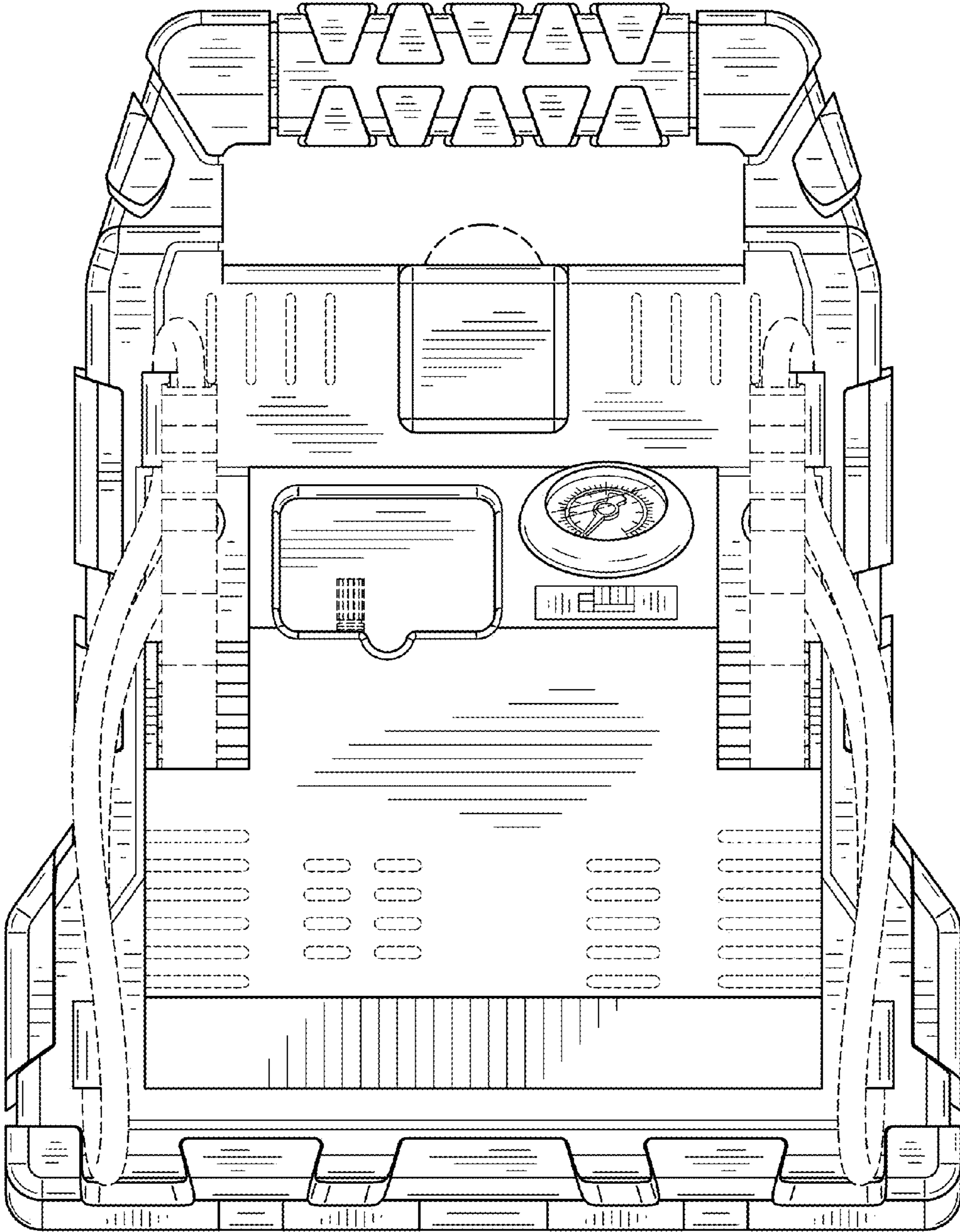


FIG. 8