



US00D761199S

(12) **United States Design Patent**
Hong et al.

(10) **Patent No.:** **US D761,199 S**
(45) **Date of Patent:** **** Jul. 12, 2016**

(54) **MOTORCYCLE POWER STATION**

(56) **References Cited**

(71) Applicants: **Lei Hong**, Shenzhen (CN); **Xinghua Liu**, Shenzhen (CN); **Ephraim Rosenberg**, Brooklyn, NY (US)

U.S. PATENT DOCUMENTS

(72) Inventors: **Lei Hong**, Shenzhen (CN); **Xinghua Liu**, Shenzhen (CN); **Ephraim Rosenberg**, Brooklyn, NY (US)

4,453,110	A *	6/1984	Iwamoto	H01M 2/1022 315/241 P
D484,682	S *	1/2004	Sylvan	D3/201
7,298,627	B2 *	11/2007	Hussaini	H02J 7/0042 361/753
7,483,272	B2 *	1/2009	Hussaini	H02J 7/0042 174/50
D679,258	S *	4/2013	Moore	D13/162.1
D729,728	S *	5/2015	Inskeep	D13/107
D744,944	S *	12/2015	Bates	D13/107
D744,945	S *	12/2015	Bates	D13/107
D745,478	S *	12/2015	Andresen	D13/184
2011/0084660	A1 *	4/2011	McSweyn	H01R 13/6675 320/111

(**) Term: **14 Years**

(21) Appl. No.: **29/520,603**

(22) Filed: **Mar. 16, 2015**

(30) **Foreign Application Priority Data**

Jan. 16, 2015 (CN) 2015 3 0013426

(51) **LOC (10) Cl.** **13-02**

(52) **U.S. Cl.**
USPC **D13/103**

(58) **Field of Classification Search**
USPC D13/102-110, 118-119, 184, 199;
D14/356, 432, 251, 253, 434;
320/107-115, 135, 138, 140, 103-105
CPC Y02E 60/12; Y02E 60/122; Y02E 60/124;
Y02E 60/50; H01M 2/02; H01M 2/022;
H01M 2/0202; H01M 2/0207; H01M 2/0212;
H01M 2/1061; H01M 2/1022; H01M 2/1055;
H01M 2/1066; H01M 2/105; H01M 2/204;
H01M 2/20; H01M 2/202; H01M 2/206;
H01M 10/4257; H01M 10/0436; H01M 10/48;
H01M 10/44; H01M 10/46; H01M 10/465;
H01M 10/482; H01M 2200/30; H01M
2250/30; H01M 2250/40; H02J 7/00; H02J
7/0003; H02J 7/0011; H02J 7/0013; H02J
7/0054; H02J 7/0055; H02J 7/0057; H02J
2007/0062

See application file for complete search history.

* cited by examiner

Primary Examiner — Rosemary K Tarcza

Assistant Examiner — Sanjeev Paul

(74) *Attorney, Agent, or Firm* — Amster, Rothstein & Ebenstein LLP

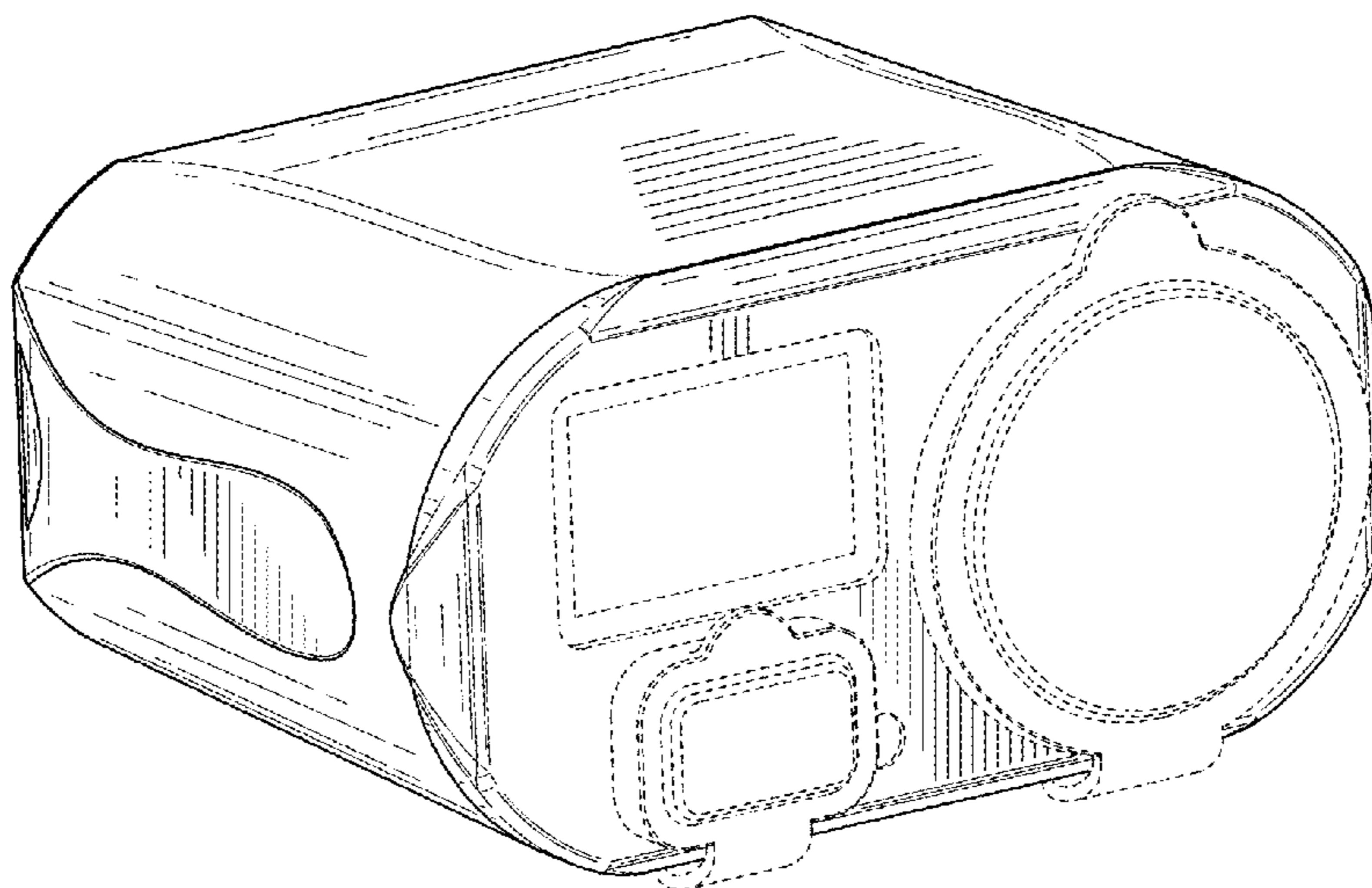
(57) **CLAIM**

The ornamental design for a motorcycle power station, as shown and described.

DESCRIPTION

FIG. 1 is a front perspective view of the motorcycle power station showing the present design.
FIG. 2 is a rear perspective view thereof.
FIG. 3 is a front view thereof.
FIG. 4 is a rear view thereof.
FIG. 5 is a right side view thereof.
FIG. 6 is a left side view thereof.
FIG. 7 is a top plan view thereof; and,
FIG. 8 is a bottom plan view thereof.
The portions of the design shown in broken lines being for illustrative purposes only and forming no part of the claimed design.

1 Claim, 8 Drawing Sheets



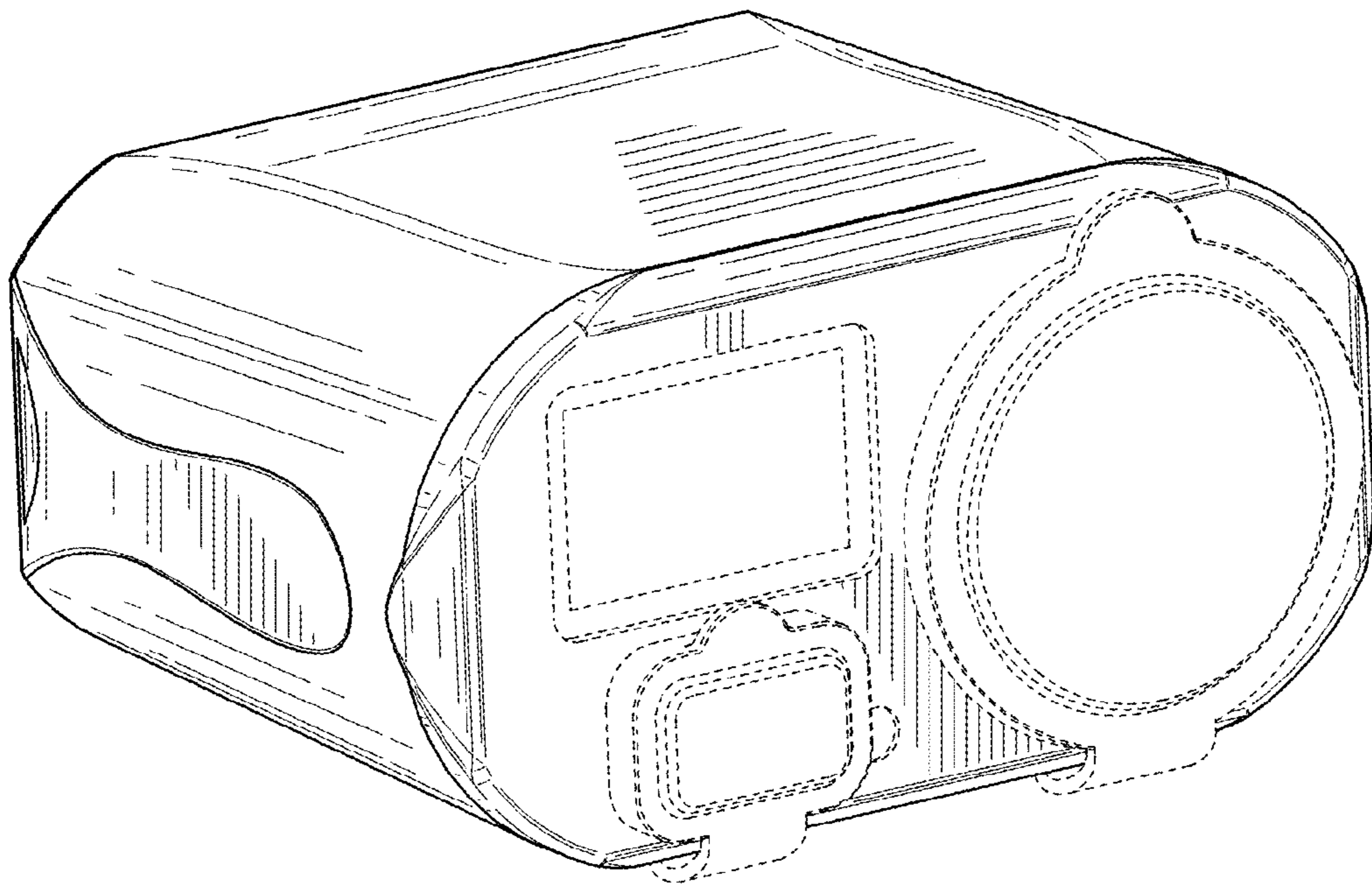


FIG. 1

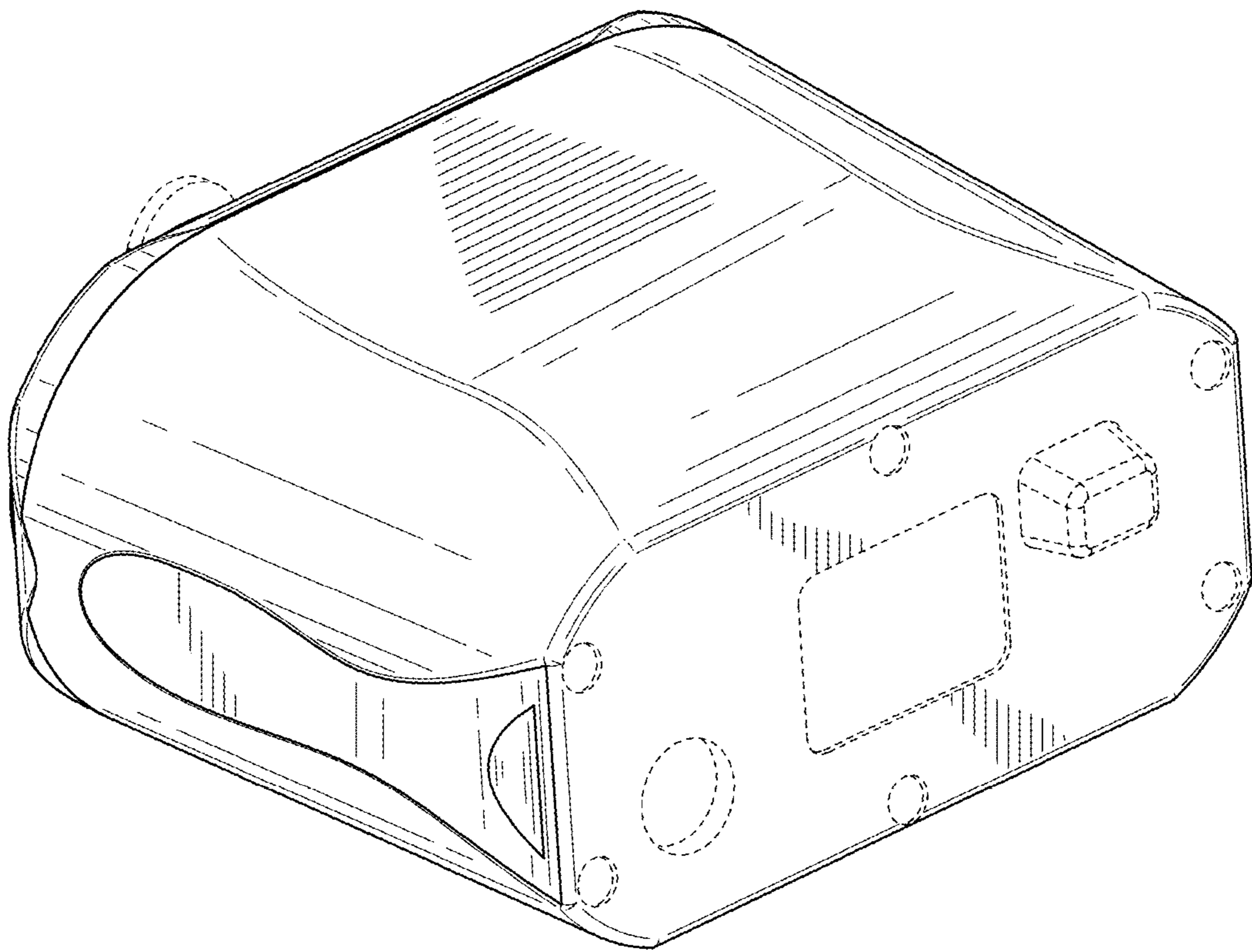


FIG. 2

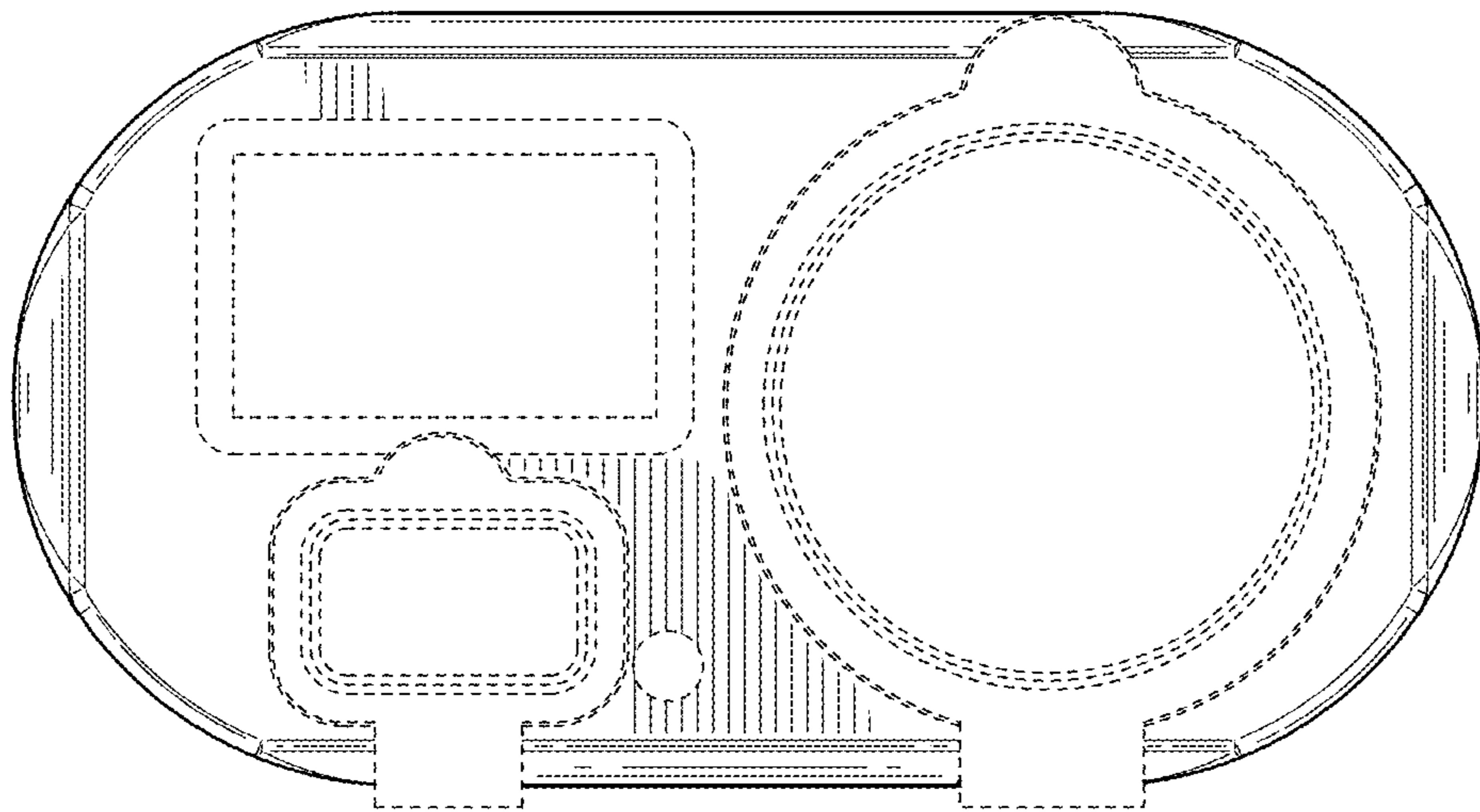


FIG. 3

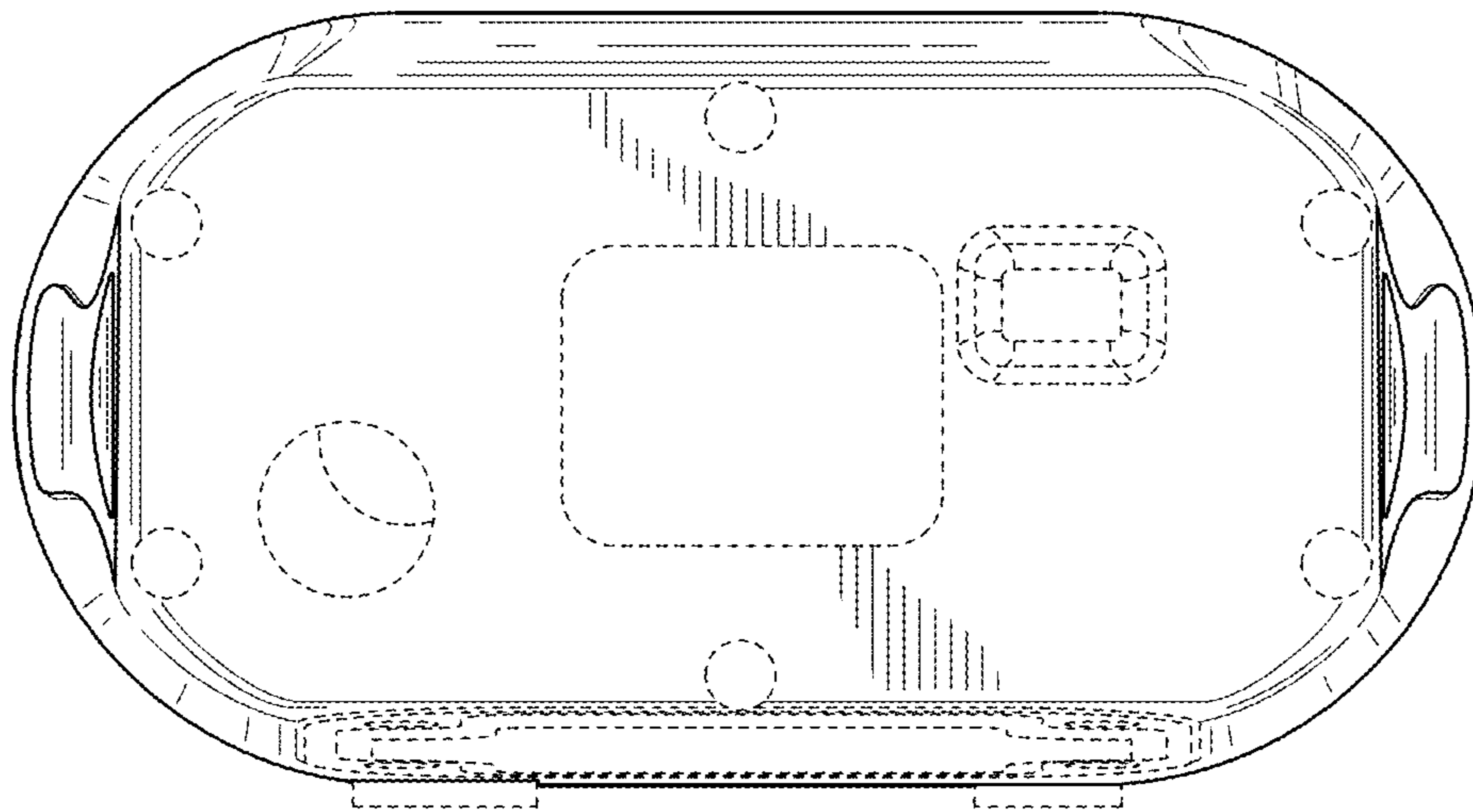


FIG. 4

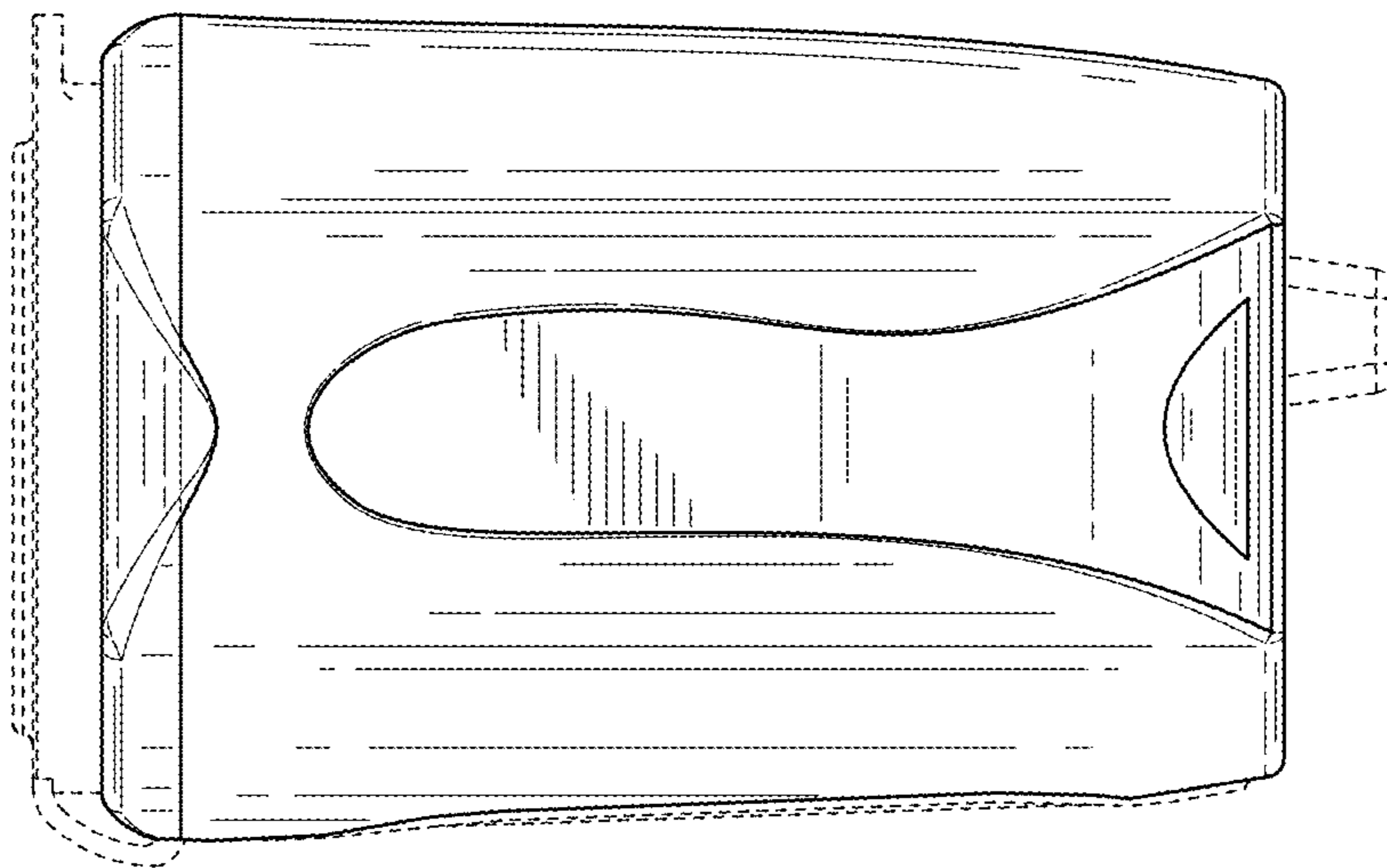


FIG. 5

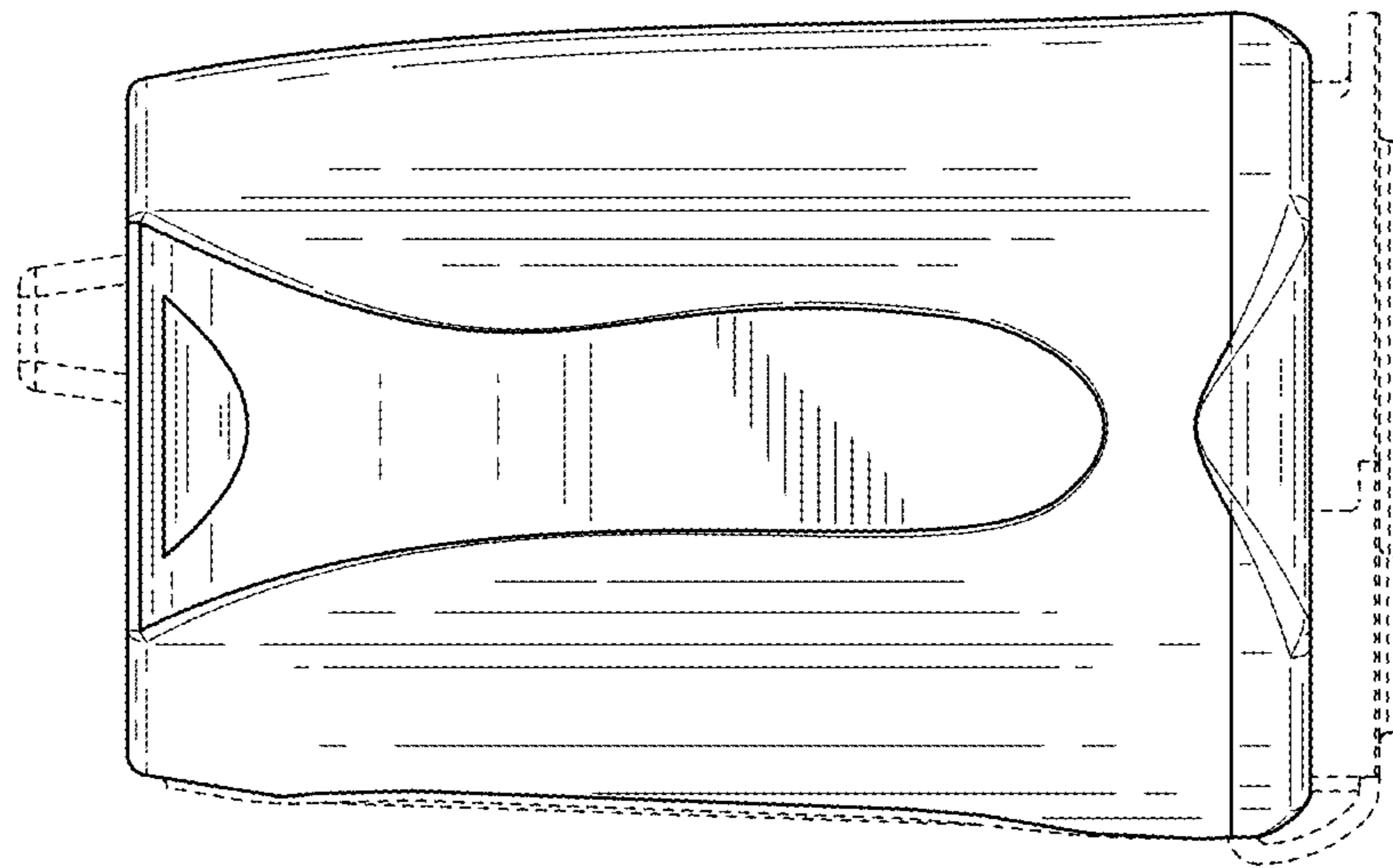


FIG. 6

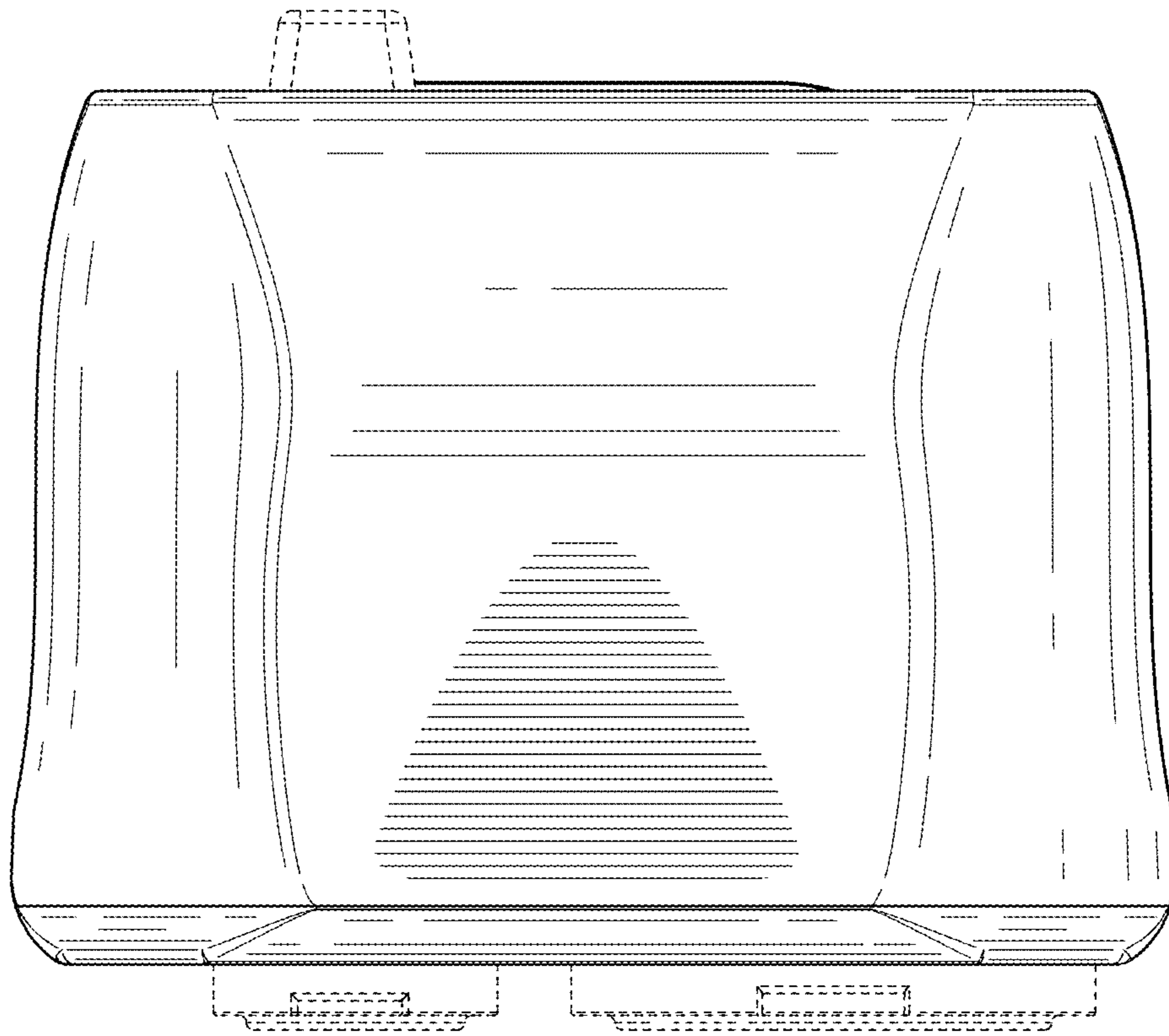


FIG. 7

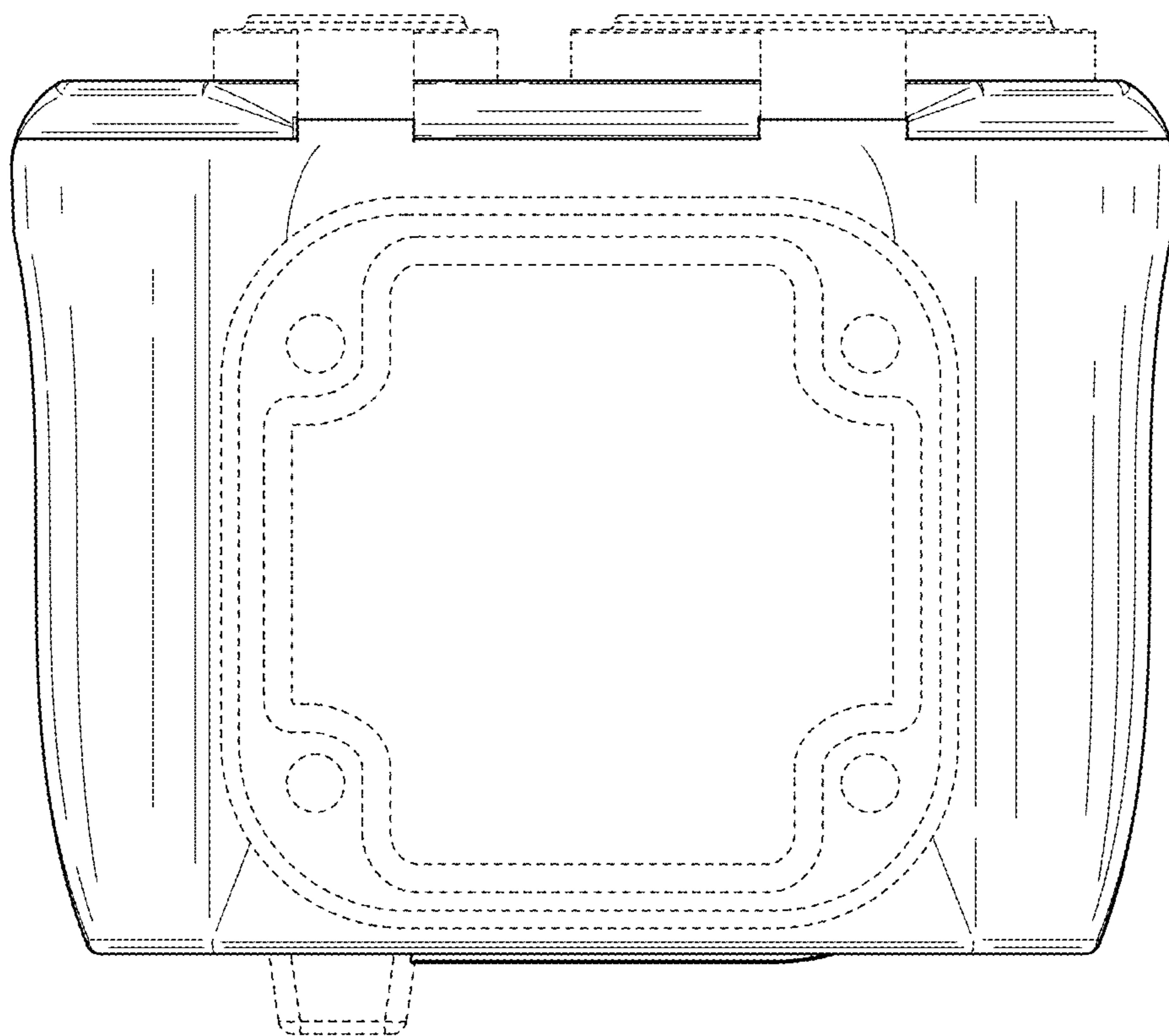


FIG. 8