



US00D761196S

(12) **United States Design Patent**
Dixon et al.

(10) **Patent No.:** **US D761,196 S**
(45) **Date of Patent:** **** Jul. 12, 2016**

- (54) **TIRE**
- (71) Applicant: **The Goodyear Tire & Rubber Company**, Akron, OH (US)
- (72) Inventors: **Max Harold Dixon**, Cuyahoga Falls, OH (US); **Amanda Gari McGee**, Copley, OH (US)
- (73) Assignee: **The Goodyear Tire & Rubber Company**, Akron, OH (US)
- (**) Term: **14 Years**
- (21) Appl. No.: **29/503,337**
- (22) Filed: **Sep. 25, 2014**
- (51) **LOC (10) Cl.** **12-15**
- (52) **U.S. Cl.**
USPC **D12/601**
- (58) **Field of Classification Search**
USPC 152/152-5, 151, 152.1, 167, 208, 152/209.1-209.28, 246, 450, 526, 527, 532, 152/535, 538, 541; D12/145, 500-605, D12/900-901
CPC B60C 11/00-11/246; B60C 2011/0337; B60C 2011/0339; B60C 2011/0386; B60C 3/00-3/08; B60C 1/00; B60C 2200/00; B60C 2200/02; B60C 2200/04; B60C 2200/06; B60C 2200/065; B60C 2200/08; B60C 2200/10; B60C 2200/12; B60C 2200/14; B60C 7/00; B60C 7/02; B60C 7/04; B60C 7/06; B60C 7/08; B60C 5/00; B60C 13/00
See application file for complete search history.

D383,101 S *	9/1997	Aikawa	D12/590
D416,522 S *	11/1999	Matsuda	D12/585
D422,246 S	4/2000	Fierro et al.	D12/146
D427,551 S	7/2000	Weber	D12/141
D531,113 S *	10/2006	Dixon	D12/587
D560,599 S	1/2008	Dixon et al.	D12/587

(Continued)

FOREIGN PATENT DOCUMENTS

JP WO 2010147076 A1 * 12/2010 B60C 11/04

Primary Examiner — Manpreet Matharu

Assistant Examiner — Keith Wilson

(74) *Attorney, Agent, or Firm* — Robert N. Lipschik

(57) **CLAIM**

The ornamental design for a tire, as shown and described.

DESCRIPTION

FIG. 1 is a perspective view of a tire showing our new design, it being understood that the pattern repeats uniformly throughout the circumference of the tread;

FIG. 2 is a front elevational view thereof;

FIG. 3 is a right side elevational view thereof; the opposite side elevational view being identical thereto;

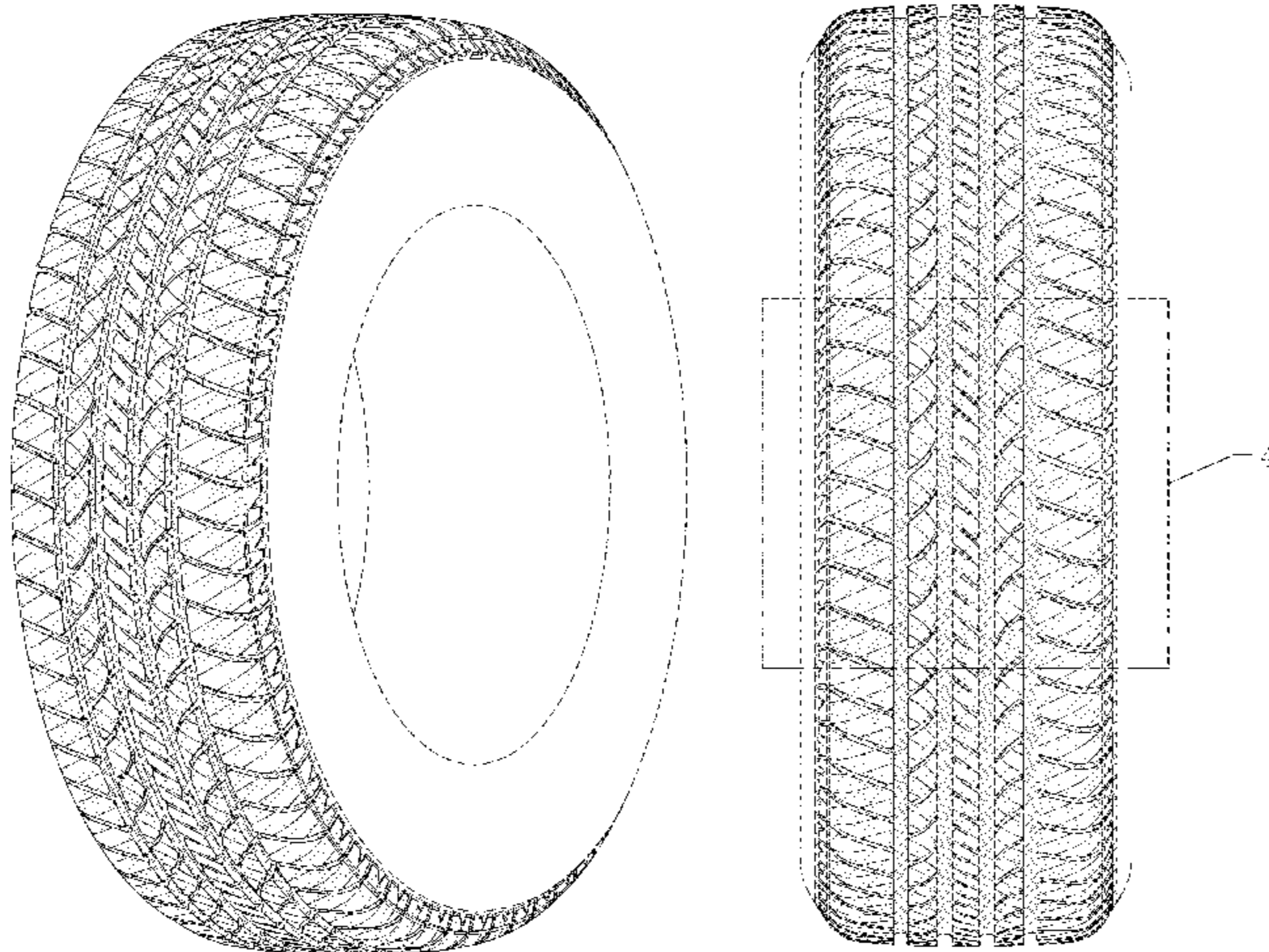
FIG. 4 is an enlarged fragmentary front elevational view taken along Line 4 of FIG. 2;

FIG. 5 is a perspective view of a second embodiment of a tire showing our new design, it being understood that the pattern repeats uniformly throughout the circumference of the tread and that the opposite side view is identical thereto; and,

FIG. 6 is a front elevational view of a second embodiment, it being understood that an enlarged fragmentary view thereof would be substantially identical to that shown in FIG. 4, with the exception of the inclusion of the sidewall in solid lines.

In the drawings, the broken lines showing of the sidewall, inner bead and the peripheral boundary between the tire tread and the sidewall in FIGS. 1 through 4 and the location and borders of the enlarged fragmentary views in FIGS. 2 and 4 depict environmental subject matter and form no part of the claimed design.

1 Claim, 6 Drawing Sheets



(56)

References Cited

U.S. PATENT DOCUMENTS

D560,600 S	1/2008	Dixon et al.	D12/588	D619,958 S	7/2010	Maxwell	D12/586
D581,346 S	11/2008	Shondel et al.	D12/521	D659,084 S	5/2012	Graas et al.	D12/590
D585,364 S	1/2009	Shondel et al.	D12/600	D660,784 S *	5/2012	Iwabuchi	D12/601
D586,733 S	2/2009	Shinohara	D12/588	D667,780 S *	9/2012	Kaba	D12/588
D593,937 S	6/2009	Maxwell et al.	D12/588	D733,635 S *	7/2015	Digman	D12/521
D595,220 S	6/2009	Maxwell	D12/590	D736,697 S *	8/2015	Leocadio	D12/601
D611,893 S *	3/2010	Iwabuchi	D12/601	D738,295 S *	9/2015	Kanamura	D12/585
D613,238 S	4/2010	Harvey et al.	D12/586	D739,816 S *	9/2015	Lamb	D12/589
				D740,208 S *	10/2015	Rohweder	D12/584
				2015/0306917 A1 *	10/2015	Reinhardt	B60C 11/1236 152/209.15

* cited by examiner

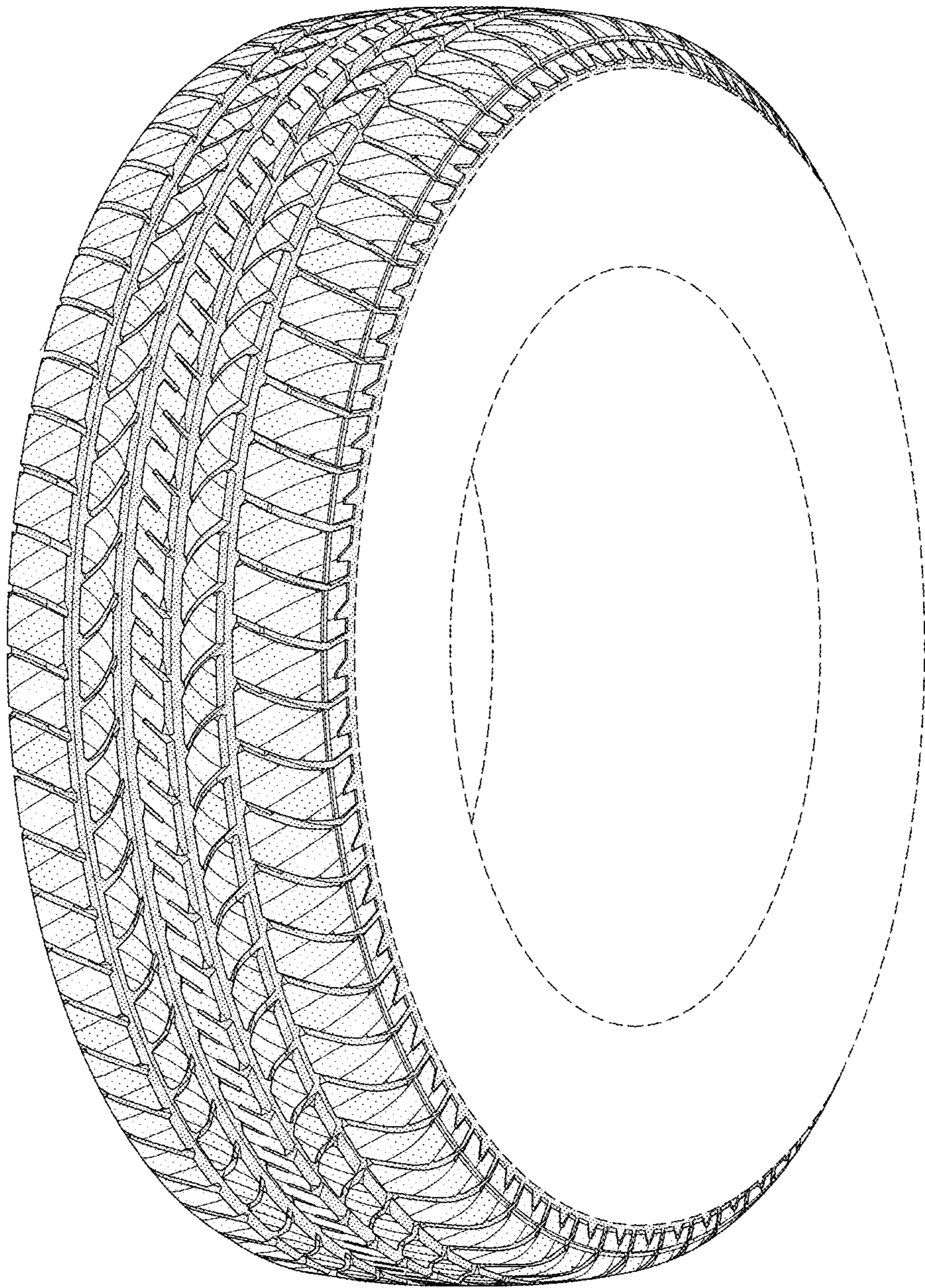


FIG-1

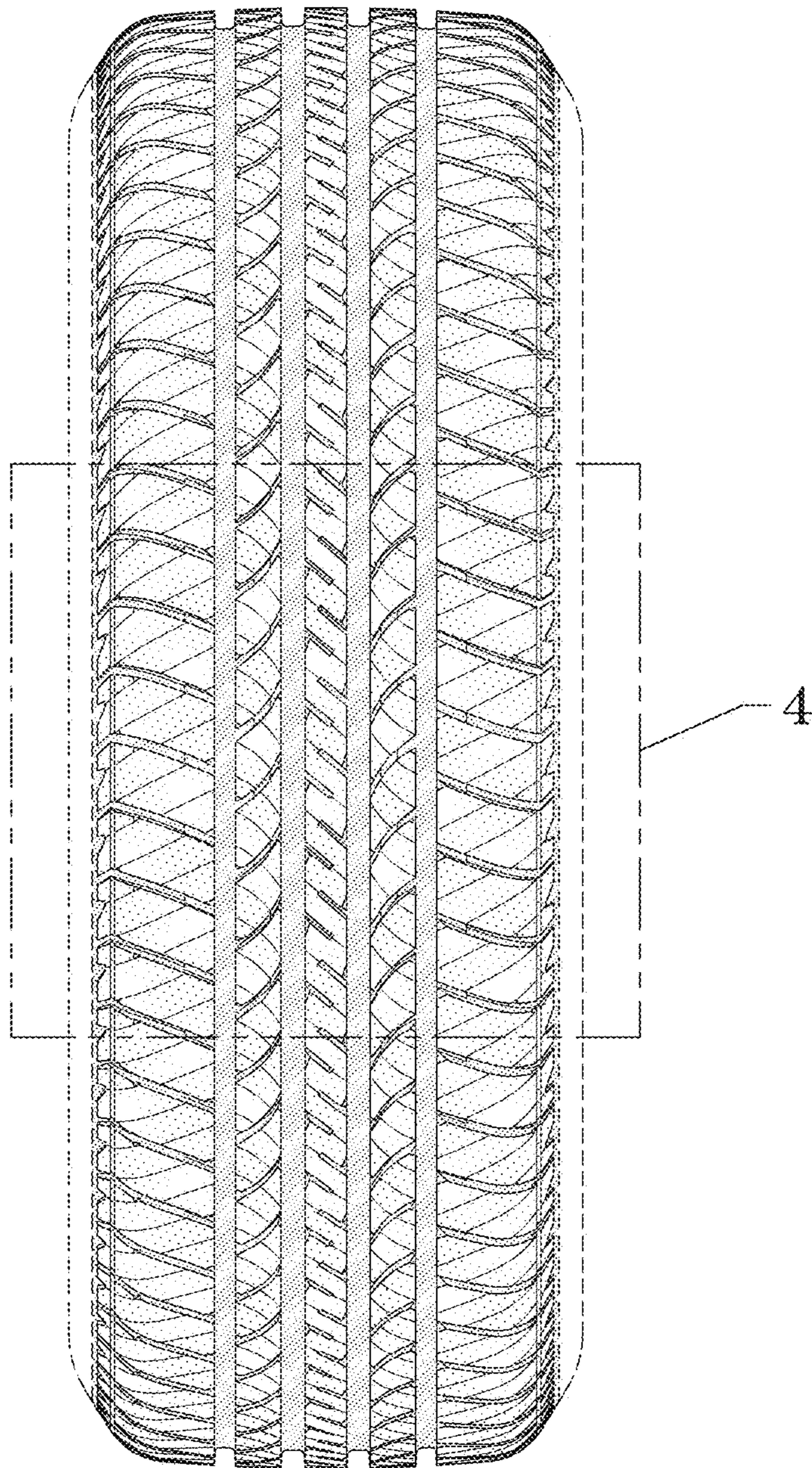


FIG-2

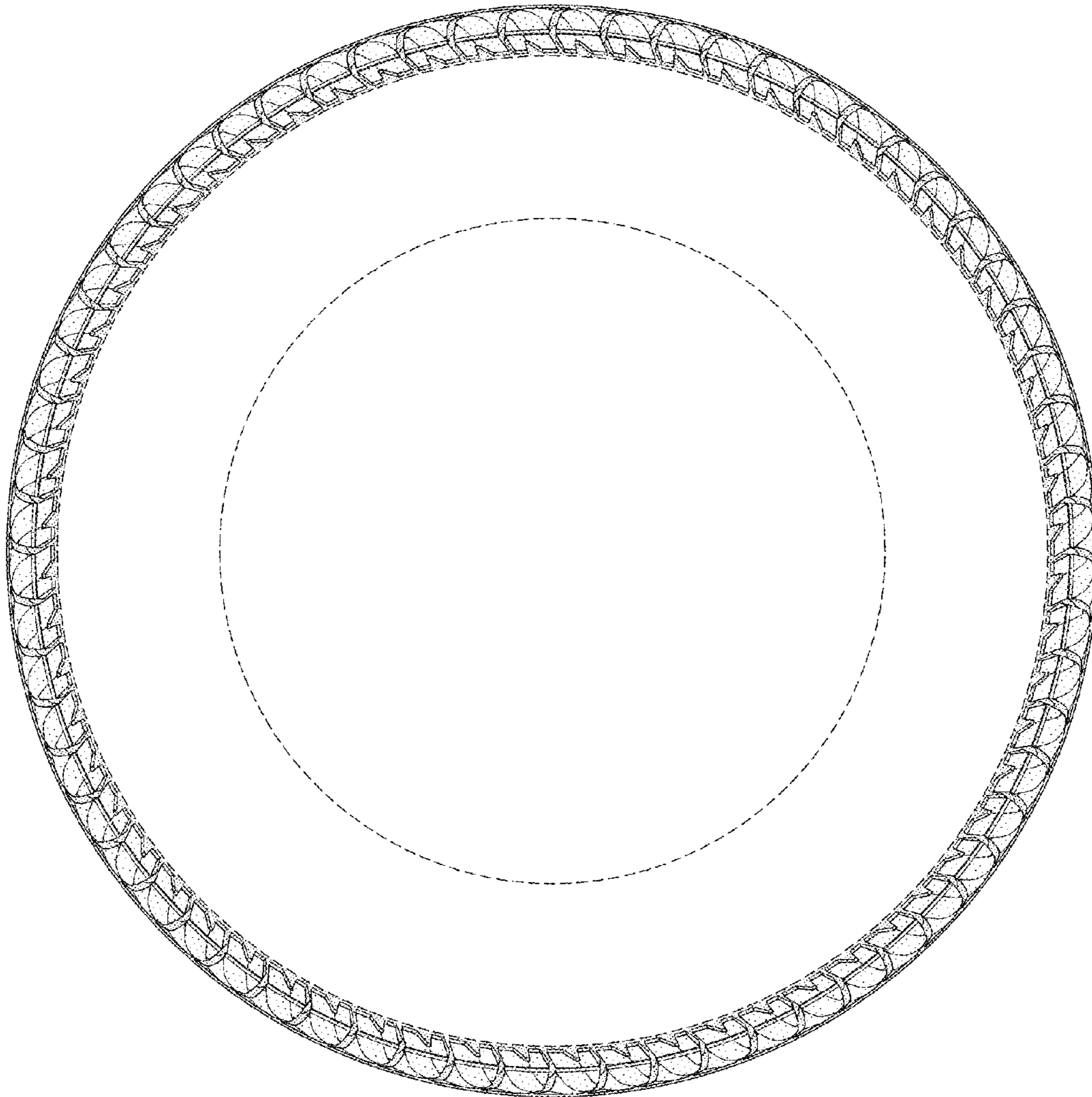


FIG-3

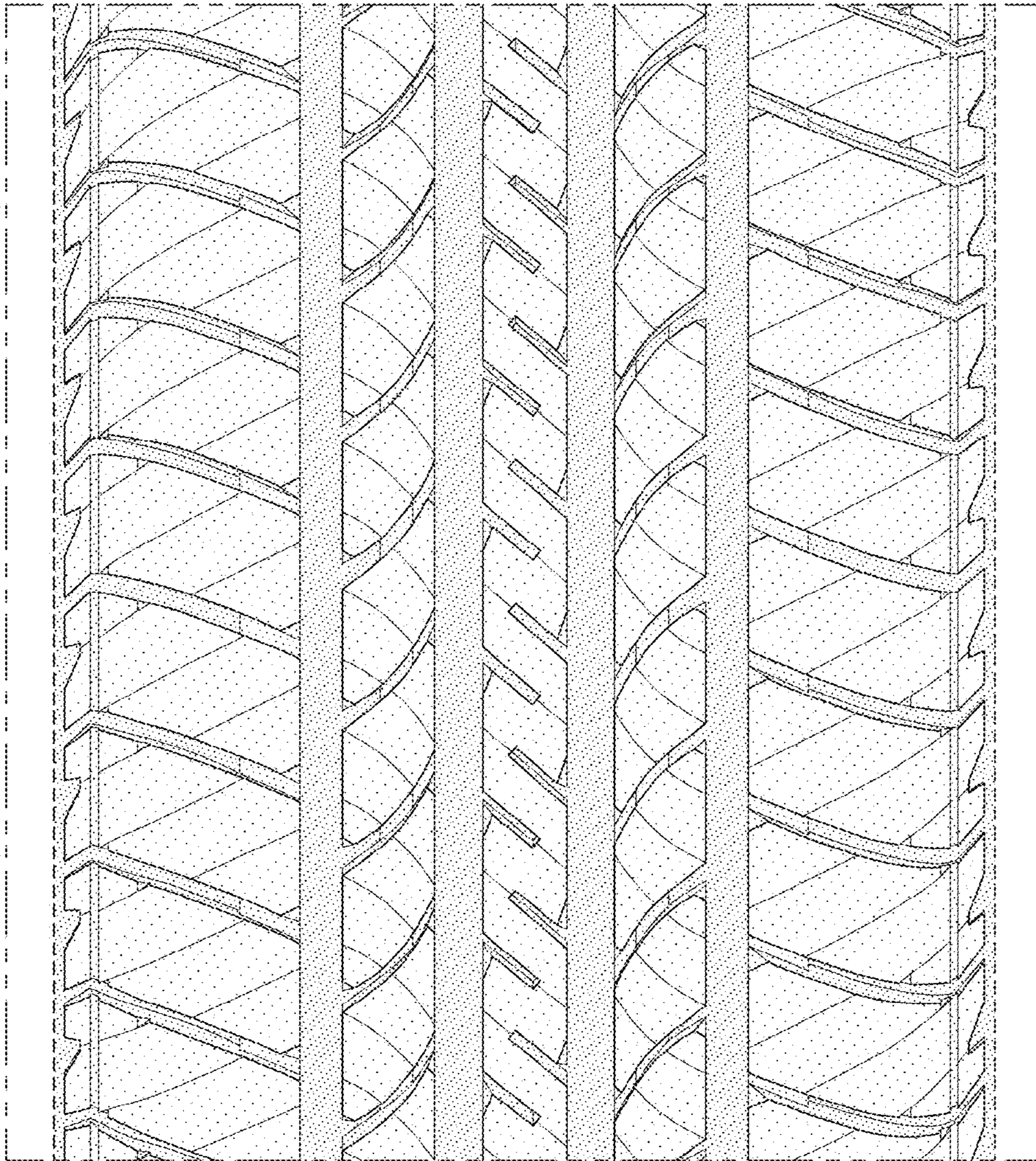


FIG-4

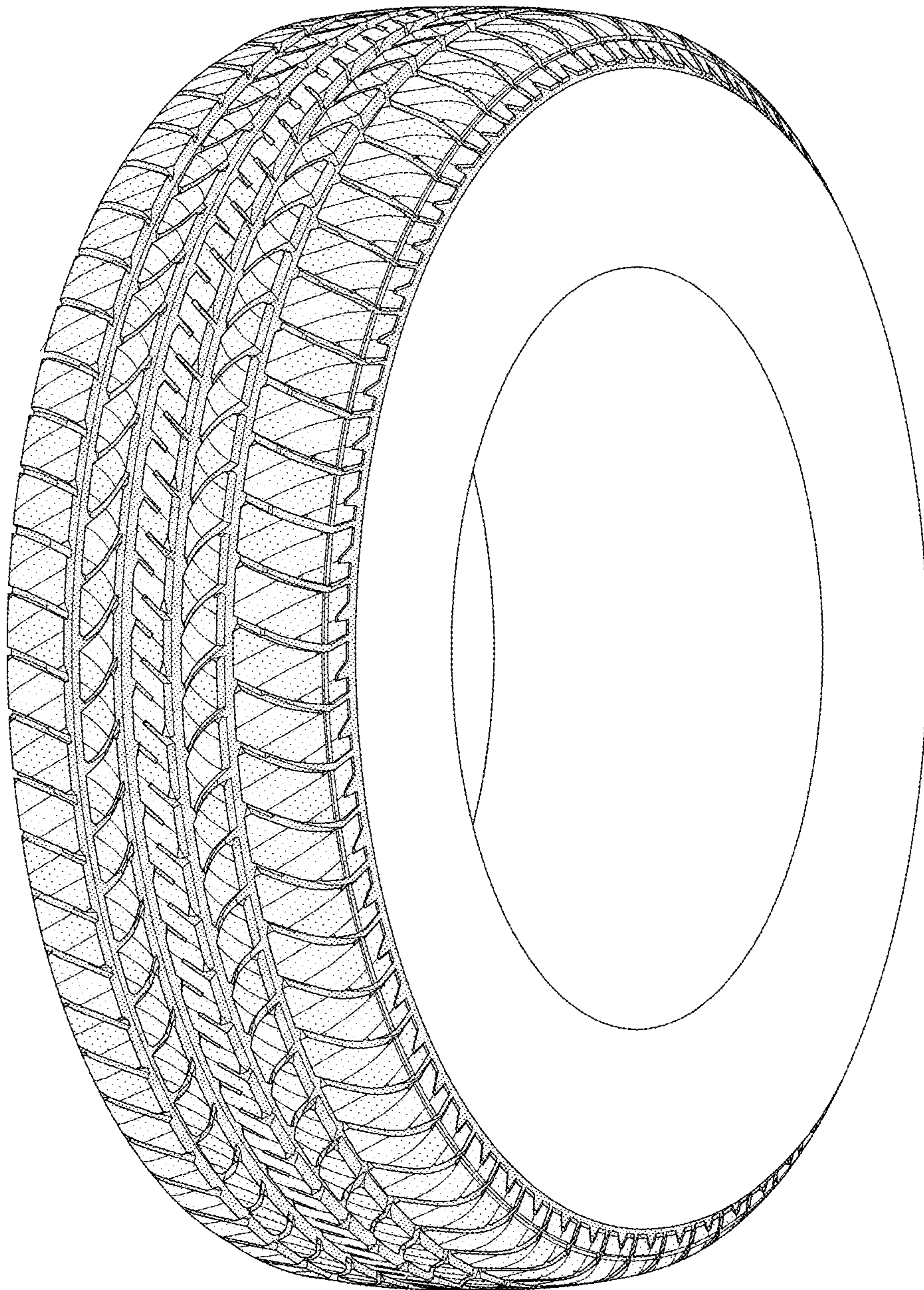


FIG-5

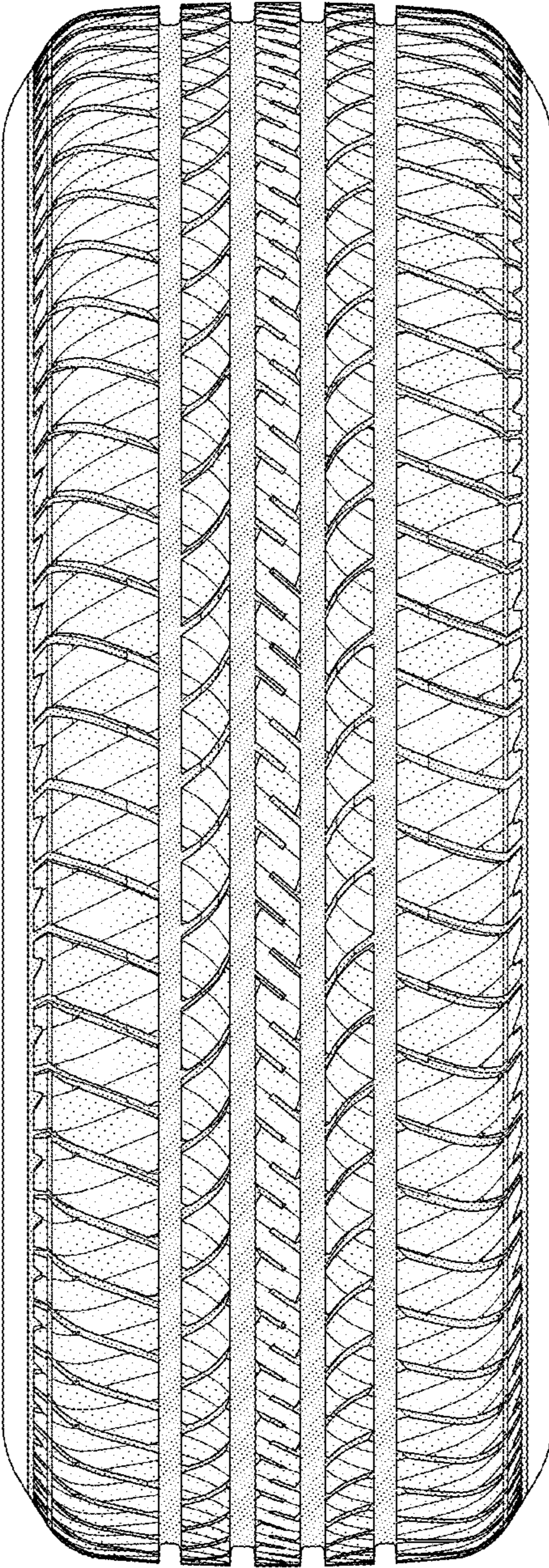


FIG-6