

US00D761193S

(12) **United States Design Patent**  
**Schimmoller et al.**

(10) **Patent No.:** **US D761,193 S**  
(45) **Date of Patent:** **\*\* Jul. 12, 2016**

(54) **TIRE TREAD**

(71) Applicants: **Ryan J. Schimmoller**, Findlay, OH (US); **Matthew J. Petr**, Findlay, OH (US)

(72) Inventors: **Ryan J. Schimmoller**, Findlay, OH (US); **Matthew J. Petr**, Findlay, OH (US)

(73) Assignee: **COOPER TIRE & RUBBER COMPANY**, Findlay, OH (US)

(\*\*) Term: **14 Years**

(21) Appl. No.: **29/507,626**

(22) Filed: **Oct. 29, 2014**

(51) **LOC (10) Cl.** ..... **12-15**

(52) **U.S. Cl.**  
USPC ..... **D12/599**

(58) **Field of Classification Search**  
USPC ..... D12/568-603  
CPC ..... B60C 5/00; B60C 11/04; B60C 11/11;  
B60C 11/13; B60C 11/12; B60C 2011/1213;  
B60C 11/03

See application file for complete search history.

(56) **References Cited**

U.S. PATENT DOCUMENTS

D730,272 S	*	5/2015	Fleckner	.....	D12/580
D731,404 S	*	6/2015	Jacobs	.....	D12/580
D732,463 S	*	6/2015	Petr	.....	D12/579
D736,145 S	*	8/2015	Jacobs	.....	D12/594
D744,412 S	*	12/2015	Schimmoller	.....	D12/599

\* cited by examiner

*Primary Examiner* — George D Kirschbaum

*Assistant Examiner* — Jennifer Watkins

(74) *Attorney, Agent, or Firm* — Fay Sharpe LLP

(57) **CLAIM**

The ornamental design for a tire tread, as shown and described.

**DESCRIPTION**

FIG. 1 is a perspective view of a full tire including the tire tread of the present application;

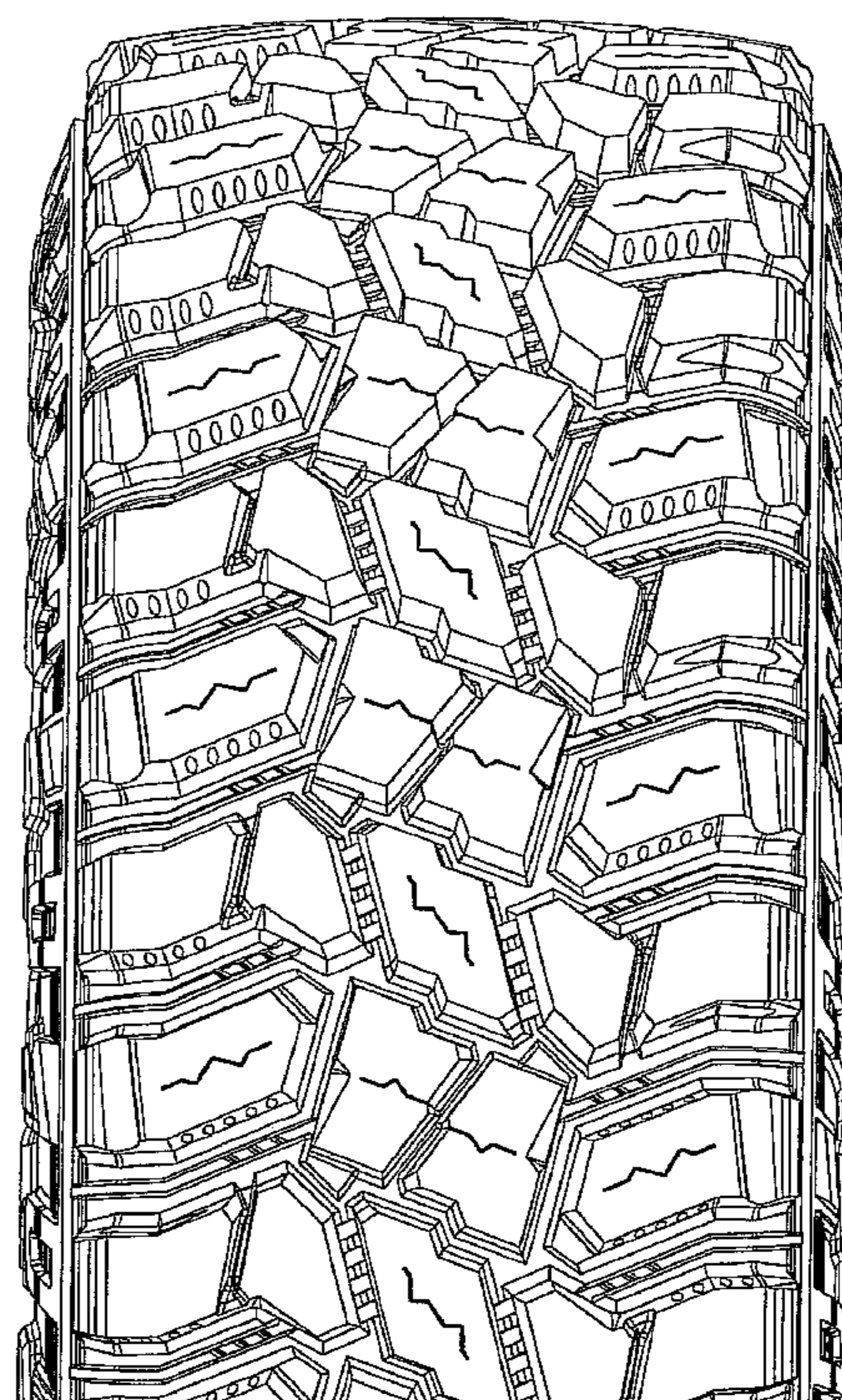
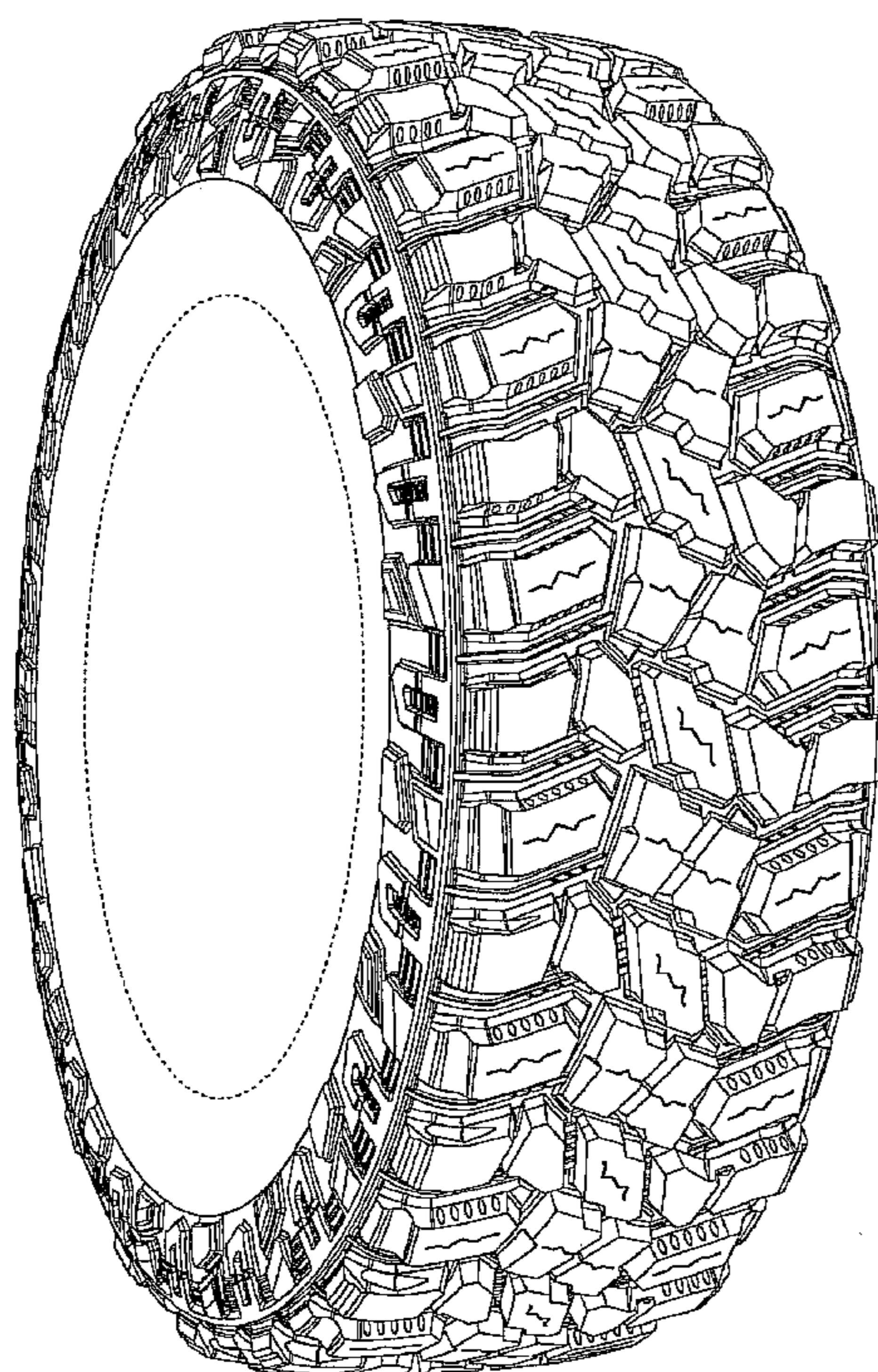
FIG. 2 is an enlarged, partial side view thereof;

FIG. 3 is a front view thereof; and,

FIG. 4 is a partial, enlarged front view thereof.

The remaining three-fourths portion of the tire partially shown in FIG. 2 is a repetition of the illustrated one-fourth portion, and the other side of the tire is identical. The broken line showings of the sidewall, inner bead, and the peripheral boundary between the tire tread and the sidewall, are included for the purpose of illustrating environment and form no part of the claim.

**1 Claim, 4 Drawing Sheets**



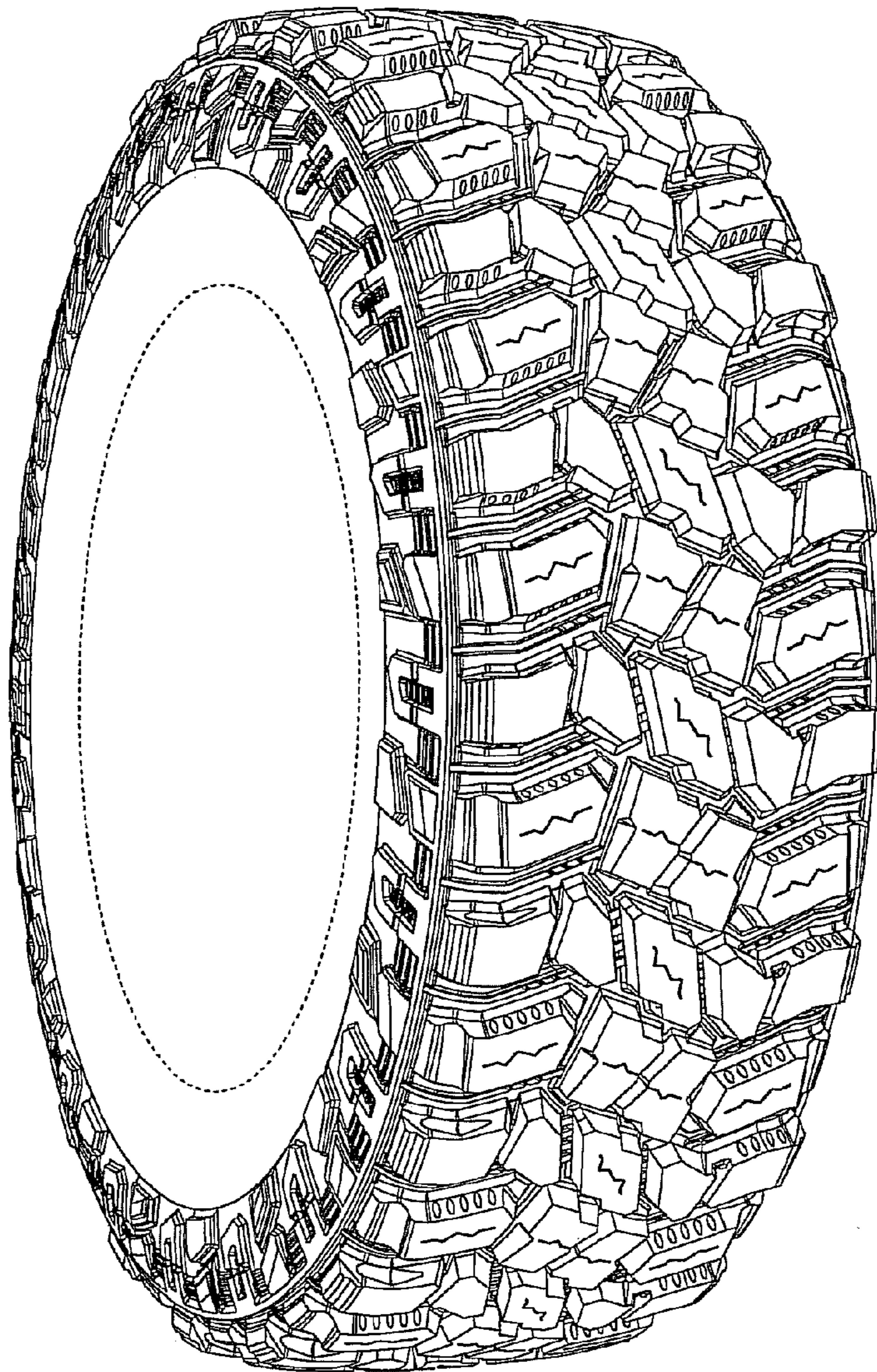


FIG. 1

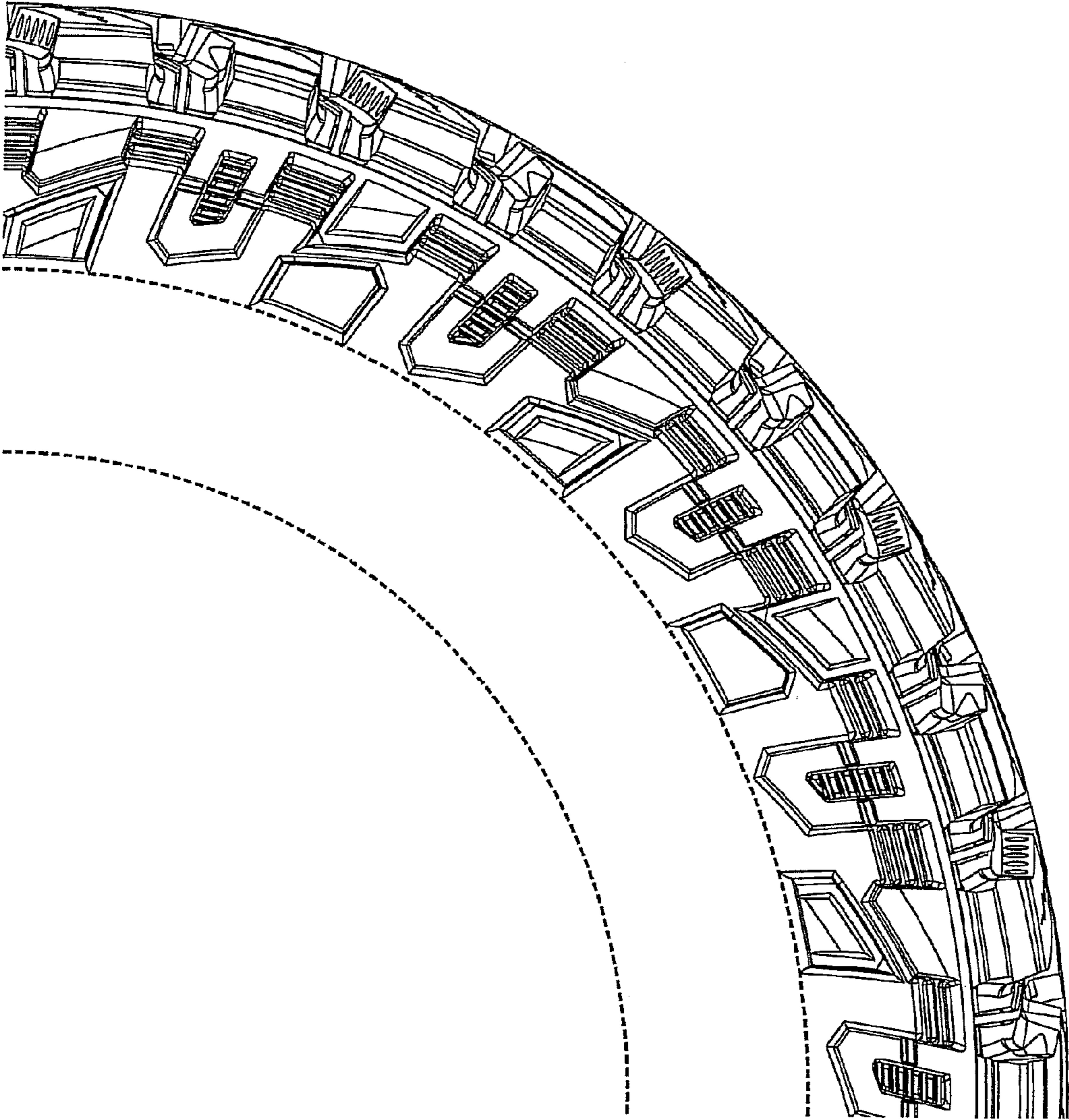


FIG. 2

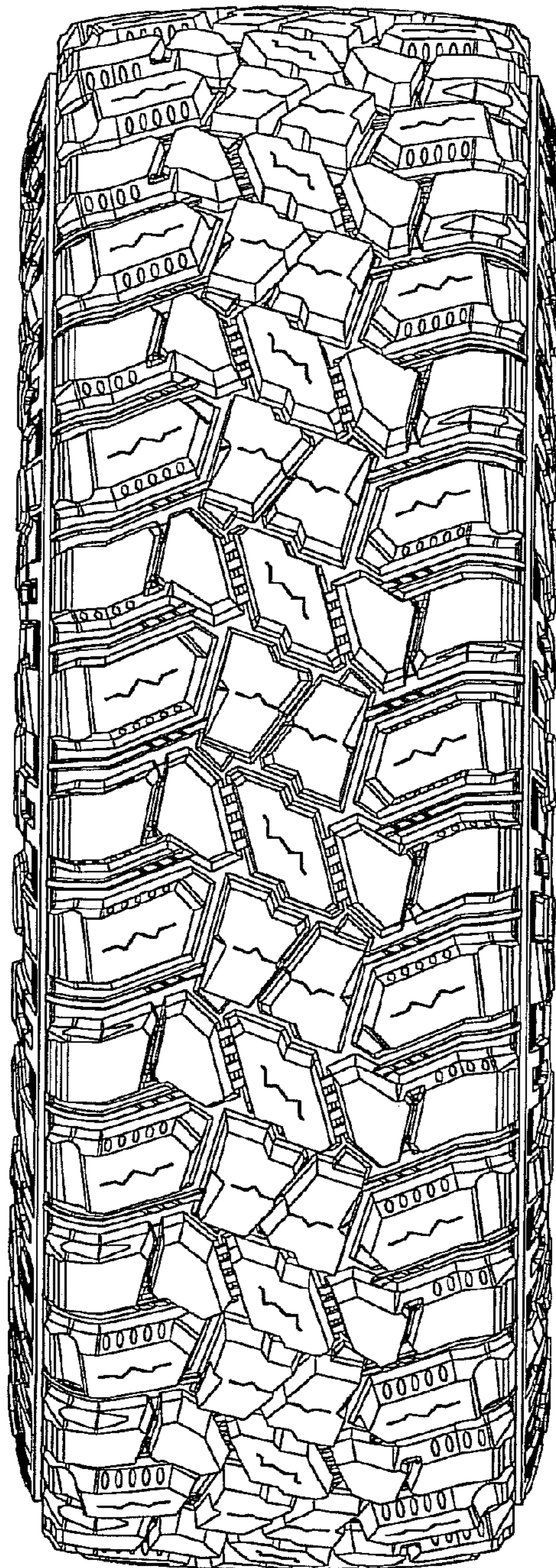


FIG. 3

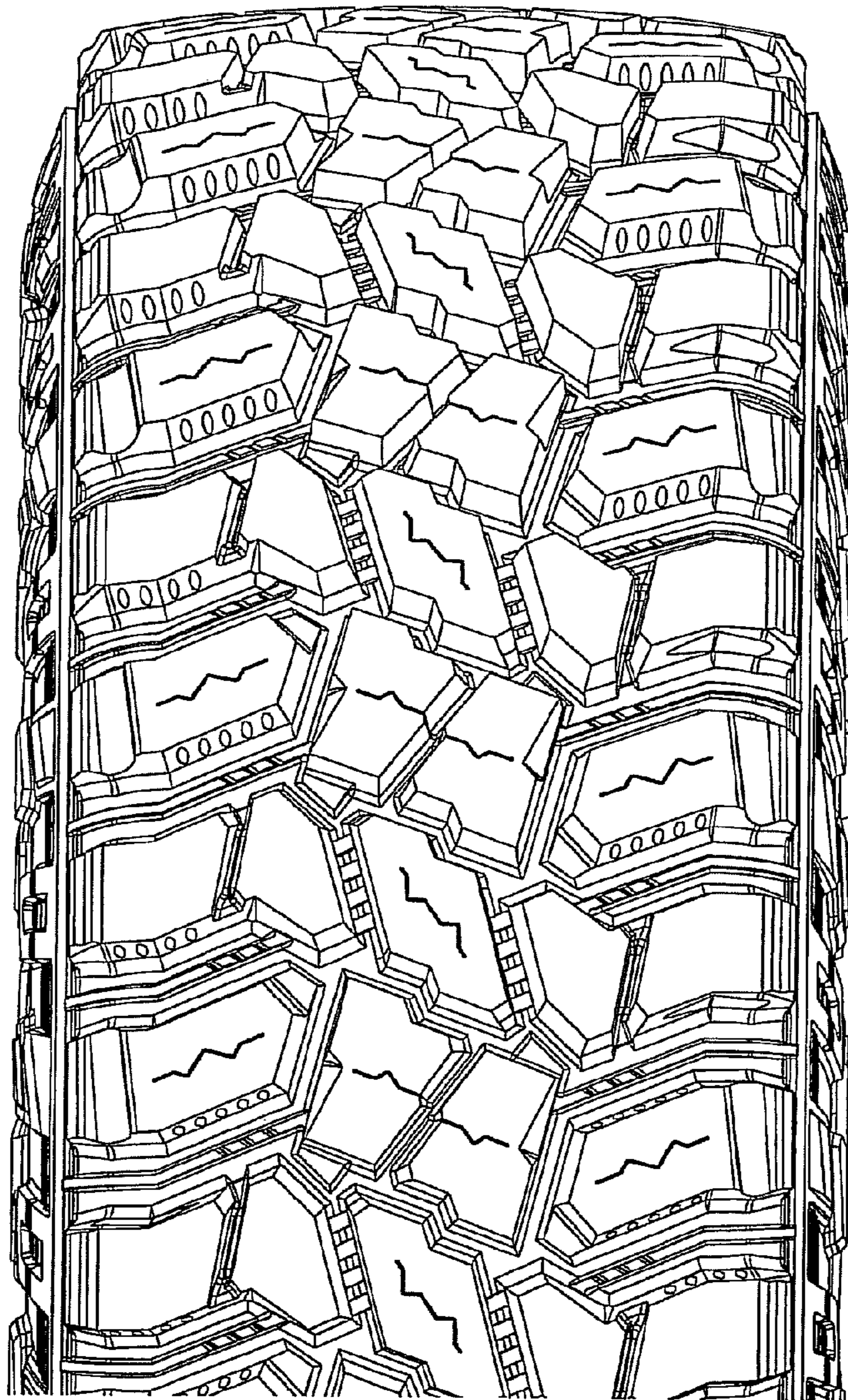


FIG. 4