



US00D761191S

(12) **United States Design Patent**
Krier et al.

(10) **Patent No.:** **US D761,191 S**
(45) **Date of Patent:** **** Jul. 12, 2016**

- (54) **TIRE**
- (71) Applicant: **The Goodyear Tire & Rubber Company, Akron, OH (US)**
- (72) Inventors: **Jean-Julien Edouard Ghislain Krier, Bastogne (BE); Georges Gaston Feider, Bettborn (LU)**
- (73) Assignee: **The Goodyear Tire & Rubber Company, Akron, OH (US)**
- (**) Term: **14 Years**
- (21) Appl. No.: **29/507,121**
- (22) Filed: **Oct. 24, 2014**
- (51) **LOC (10) Cl.** **12-15**
- (52) **U.S. Cl.**
USPC **D12/587**
- (58) **Field of Classification Search**
USPC D12/568–603
CPC B60C 5/00; B60C 11/04; B60C 11/11;
B60C 11/13; B60C 11/12; B60C 2011/1213;
B60C 11/03
See application file for complete search history.

D549,163 S	8/2007	Maus et al.	D12/579
D577,657 S	9/2008	Maus et al.	D12/544
D628,954 S *	12/2010	Shan	D12/583
D648,262 S	11/2011	Hermann et al.	D12/579
D678,183 S *	3/2013	Larregain	D12/579
D678,831 S	3/2013	Hermann et al.	D12/579
D695,210 S	12/2013	Tanaka	D12/600

* cited by examiner

Primary Examiner — George D Kirschbaum

Assistant Examiner — Jennifer Watkins

(74) *Attorney, Agent, or Firm* — Robert N. Lipsik

(57) **CLAIM**

The ornamental design for a tire, as shown and described.

DESCRIPTION

FIG. 1 is a perspective view of a tire showing our new design, it being understood that the pattern repeats uniformly throughout the circumference of the tread;

FIG. 2 is a front elevational view thereof;

FIG. 3 is a right side elevational view thereof; the opposite side elevational view being identical thereto;

FIG. 4 is an enlarged fragmentary front elevational view thereof;

FIG. 5 is a perspective view of a second embodiment of a tire showing our new design, it being understood that the pattern repeats uniformly throughout the circumference of the tread and that the opposite side view is identical thereto; and,

FIG. 6 is a front elevational view of a second embodiment, it being understood that an enlarged fragmentary view thereof would be substantially identical to that shown in FIG. 4, with the exception of the inclusion of the sidewall in solid lines.

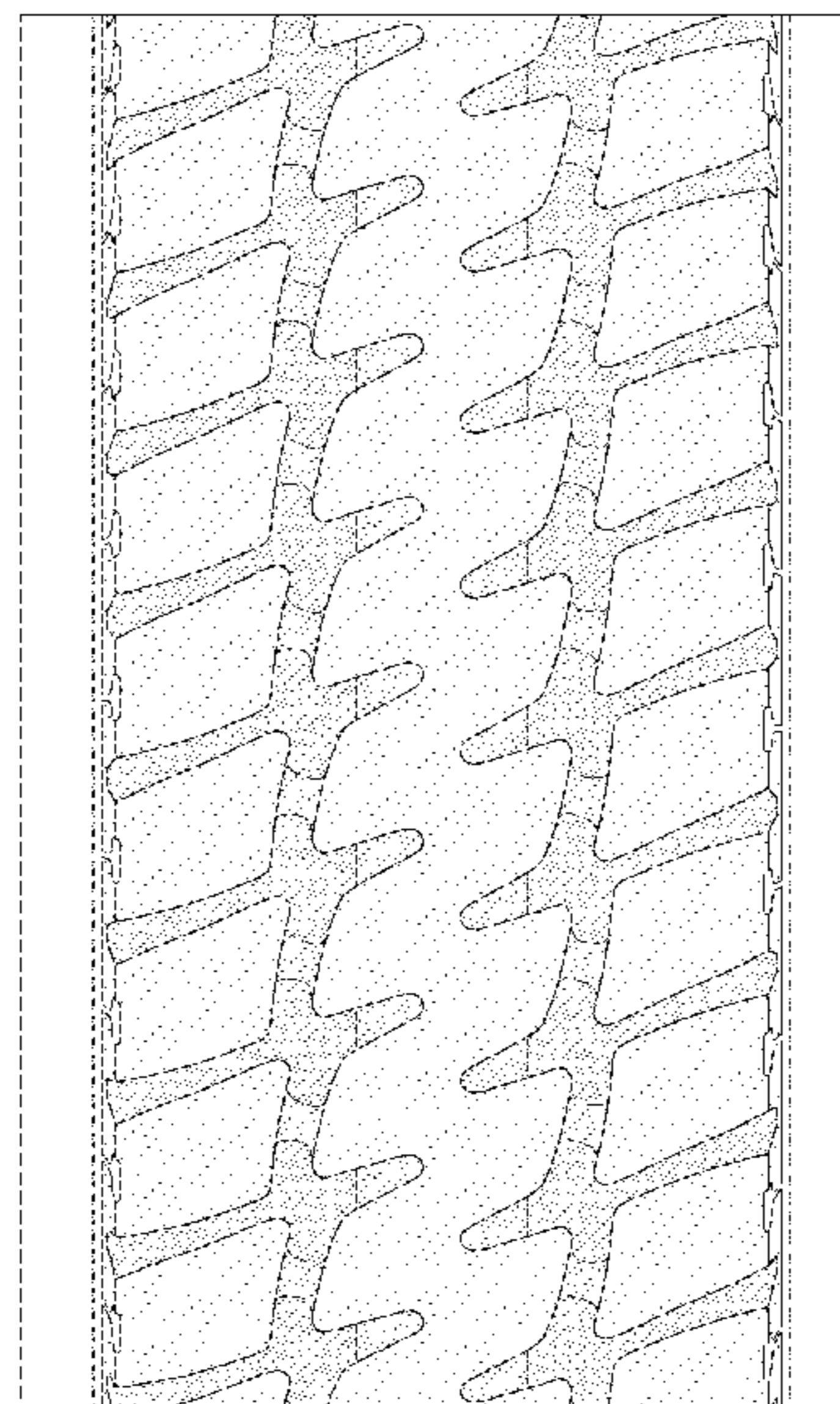
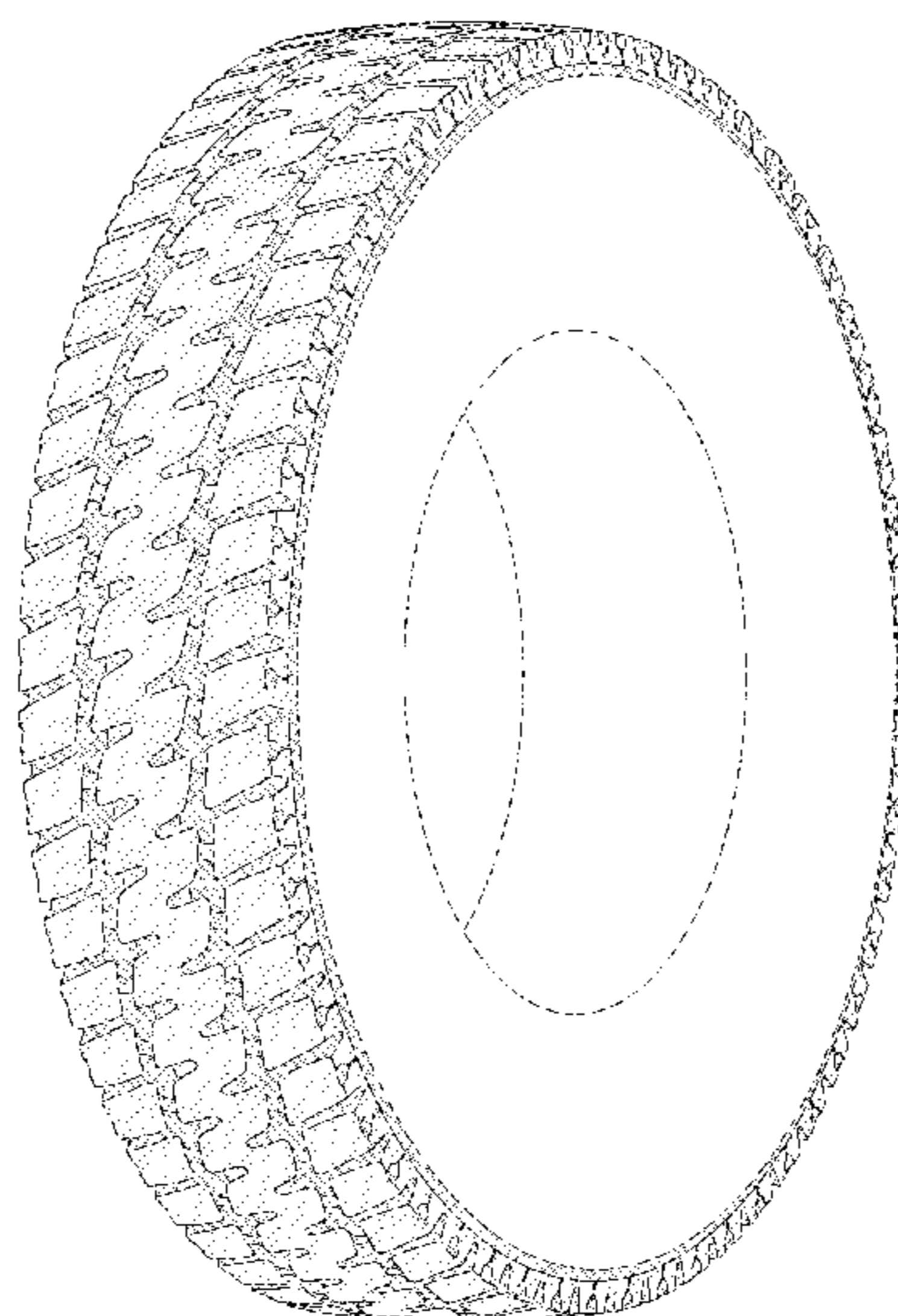
In the drawings, the broken lines showing of the sidewall, inner bead and the peripheral boundary between the tire tread and the sidewall in FIGS. 1 through 4 depict environmental subject matter and form no part of the claimed design.

1 Claim, 6 Drawing Sheets

(56) **References Cited**

U.S. PATENT DOCUMENTS

D278,806 S *	5/1985	Lawrence	D12/587
D384,622 S	10/1997	Scheuren et al.	D12/147
D385,519 S	10/1997	de Briey-Terlinden	D12/147
		et al.	D12/147
D388,033 S	12/1997	Scheuren et al.	D12/146
D444,107 S	6/2001	Rayman	D12/147
D444,109 S	6/2001	De Coninck et al.	D12/147
D481,669 S *	11/2003	Hanna	D12/579
D492,643 S	7/2004	Robert	D12/579
D517,977 S	3/2006	Robert	D12/579
D549,157 S	8/2007	Maus et al.	D12/544



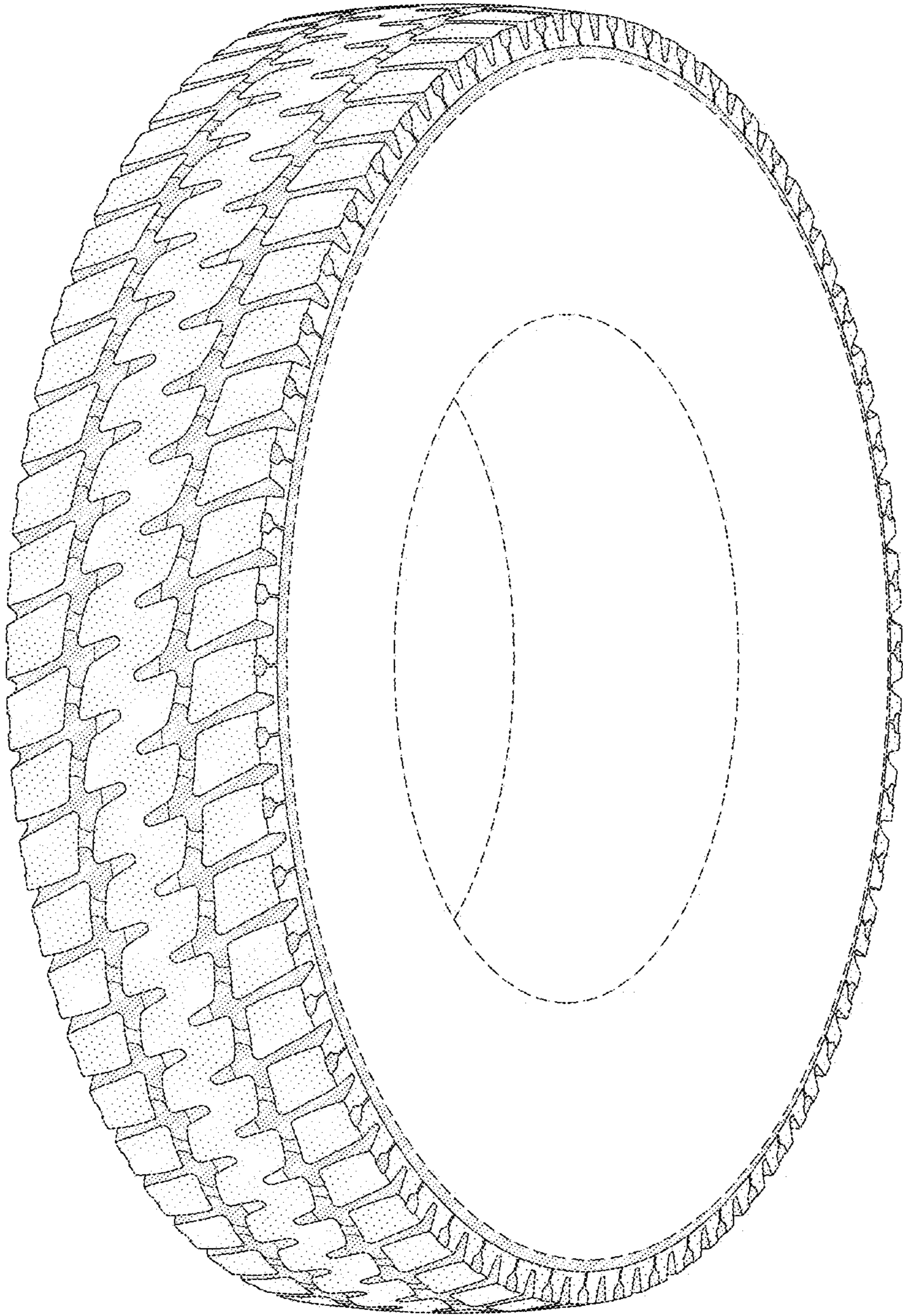


FIG-1

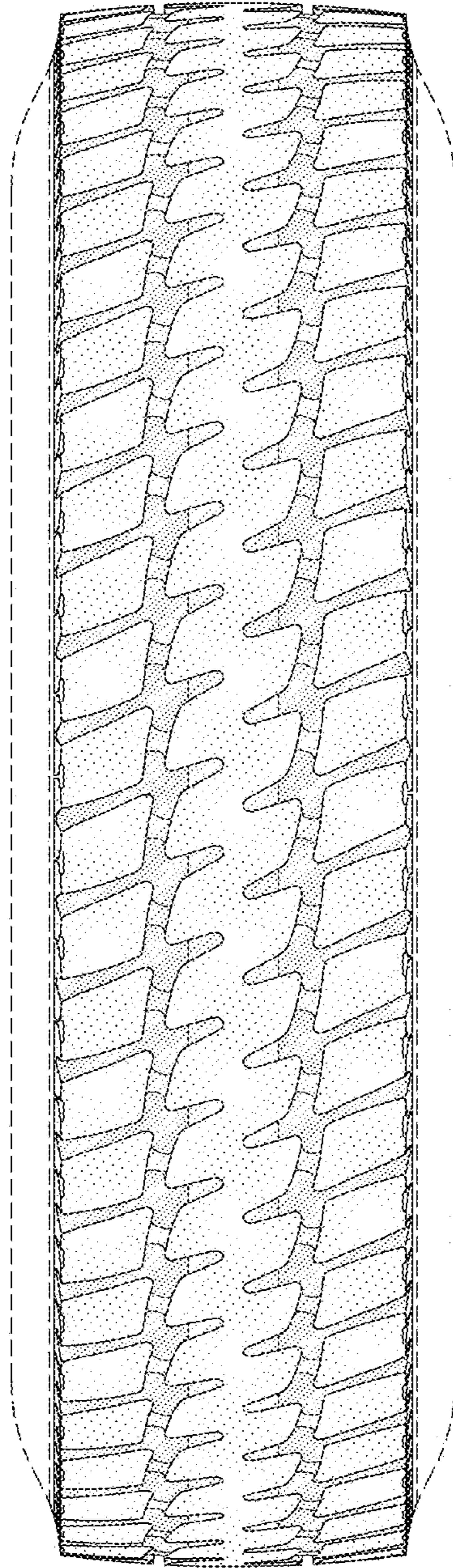


FIG-2

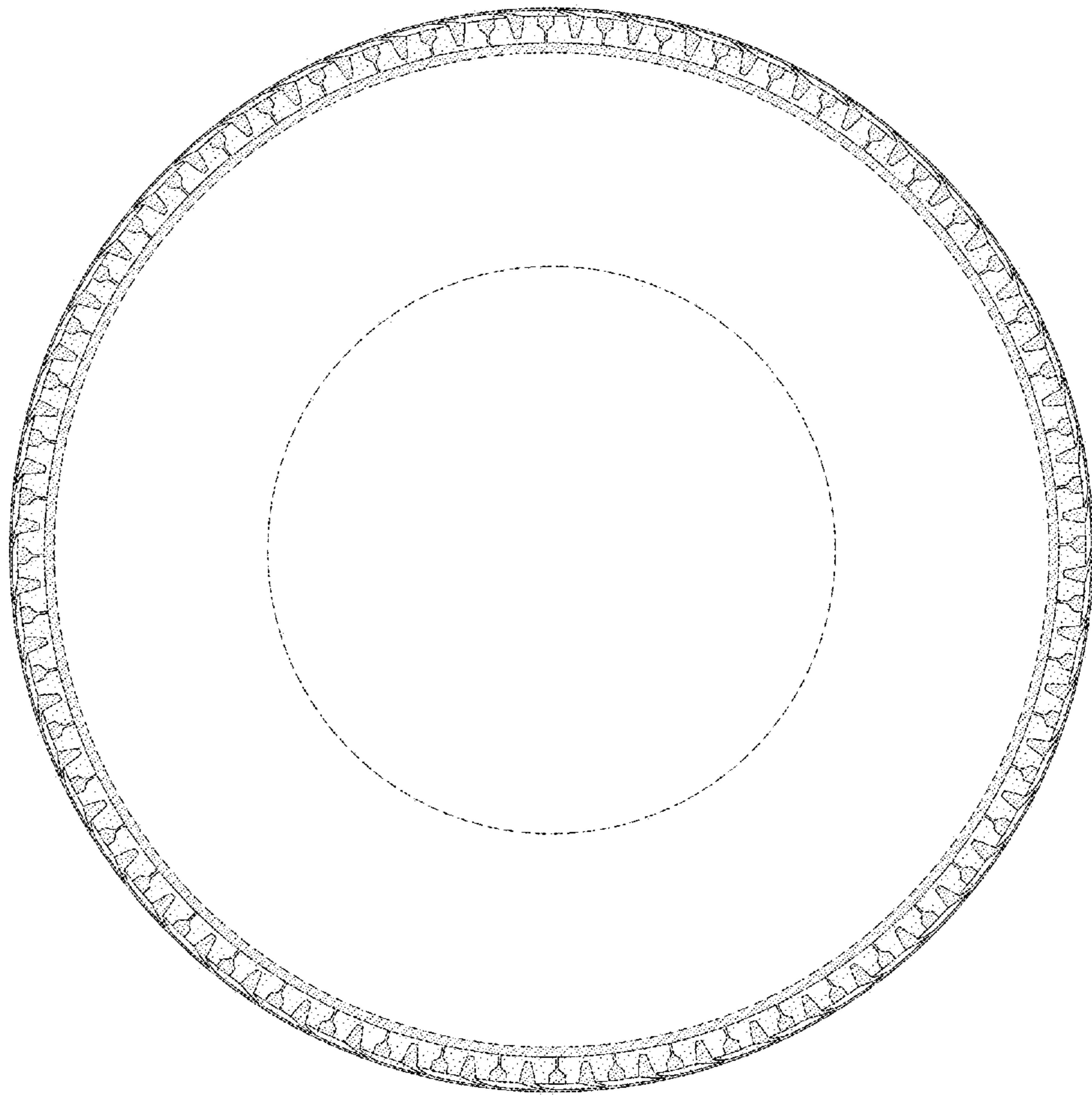


FIG-3

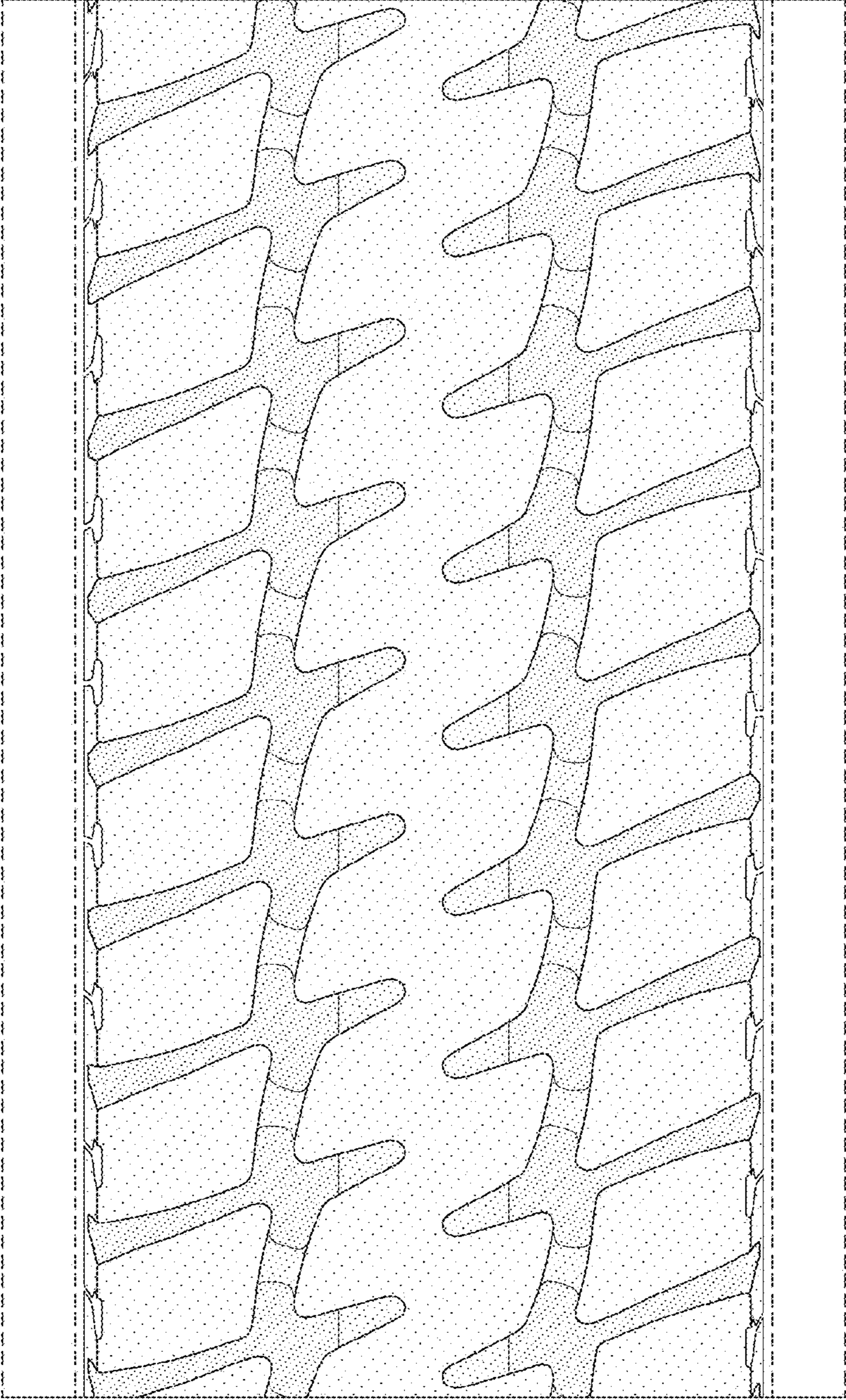


FIG-4

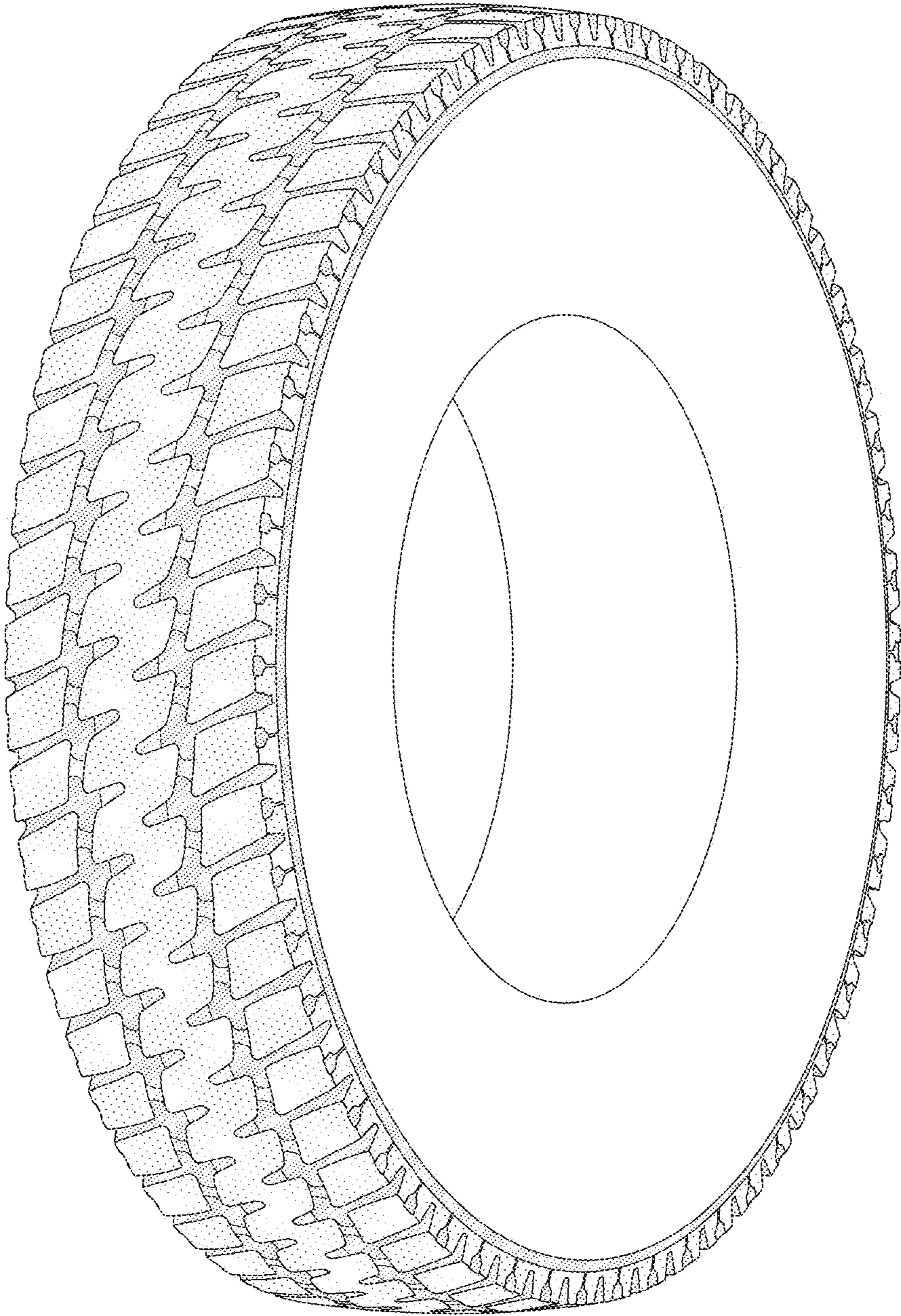


FIG-5

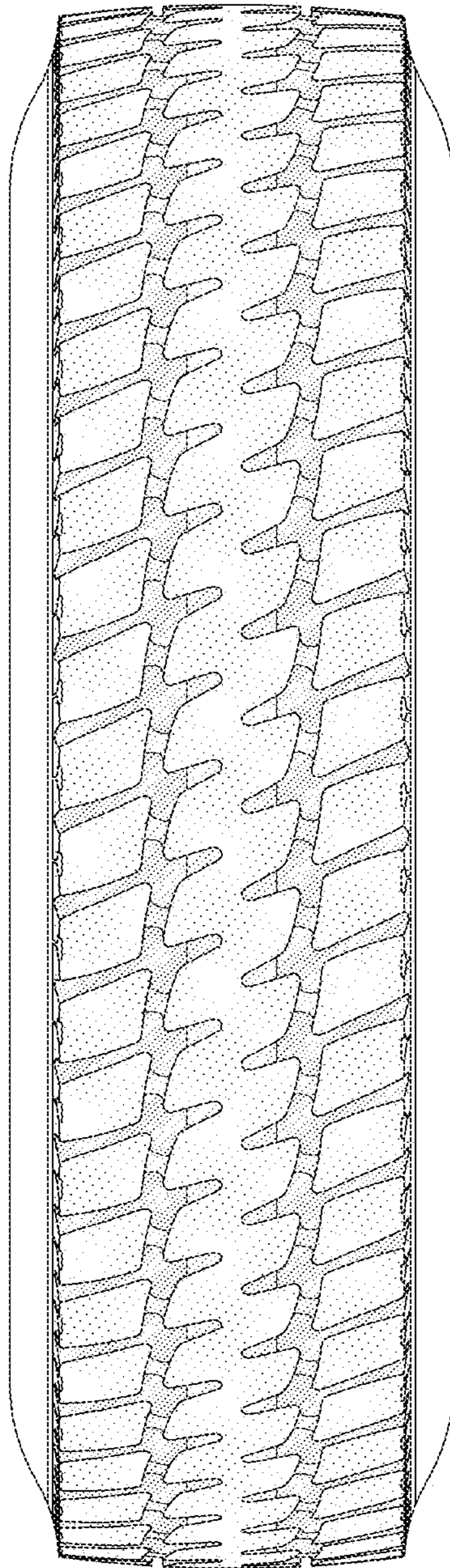


FIG-6