

US00D761190S

(12) **United States Design Patent**  
**Wang et al.**

(10) **Patent No.:** **US D761,190 S**  
(45) **Date of Patent:** **\*\* Jul. 12, 2016**

(54) **TIRE TREAD**

B60C 2011/0348; B60C 2011/0353; Y10S  
152/902; Y10S 152/03

(71) Applicant: **Aeolus Tyre Co., Ltd.**, Jiaozuo (CN)

See application file for complete search history.

(72) Inventors: **Qing Wang**, Jiaozuo (CN); **Wenhua Xu**,  
Jiaozuo (CN); **Aiping Zhang**, Jiaozuo  
(CN); **Xiaoguang Li**, Jiaozuo (CN);  
**Jiwei Zhang**, Jiaozuo (CN)

(56) **References Cited**

U.S. PATENT DOCUMENTS

D506,179 S \* 6/2005 Iga ..... D12/585  
D628,533 S \* 12/2010 Yonetsu ..... D12/585  
D709,437 S \* 7/2014 Fu ..... D12/585

(73) Assignee: **Aeolus Tyre Co., Ltd.** (CN)

\* cited by examiner

(\*\*) Term: **14 Years**

*Primary Examiner* — Manpreet Matharu

*Assistant Examiner* — Mojtaba Tehrani

(21) Appl. No.: **29/494,448**

(74) *Attorney, Agent, or Firm* — Schwegman, Lundberg &  
Woessner, P.A.

(22) Filed: **Jun. 20, 2014**

(30) **Foreign Application Priority Data**

Dec. 20, 2013 (CN) ..... 2013 3 06351258

(51) **LOC (10) Cl.** ..... **12-15**

(52) **U.S. Cl.**

USPC ..... **D12/586**

(58) **Field of Classification Search**

USPC ..... D12/568–603, 605

CPC ..... B60C 11/0306; B60C 11/0309; B60C  
11/0346; B60C 11/0304; B60C 11/0332;  
B60C 11/042; B60C 2011/0372; B60C  
2011/0374; B60C 2011/0388; B60C 11/1236;  
B60C 11/1392; B60C 2011/0341; B60C  
11/0302; B60C 11/11; B60C 2011/0346;  
B60C 2011/0365; B60C 2011/0369; B60C  
2011/0381; B60C 11/032; B60C 11/1369;

(57) **CLAIM**

The ornamental design for a tire tread, as shown and  
described.

**DESCRIPTION**

FIG. 1 is a perspective view of the tire tread showing our new  
design, it being understood that the pattern repeats uniformly  
throughout the circumference of the tread;

FIG. 2 is a partial front elevational view thereof;

FIG. 3 is a side view thereof, the opposite side being identical  
thereto; and,

FIG. 4 is an enlarged front perspective view thereof.

The broken lines shown are included for the purposes of  
illustrating the unclaimed portions of the article and form no  
part of the claimed design.

**1 Claim, 4 Drawing Sheets**

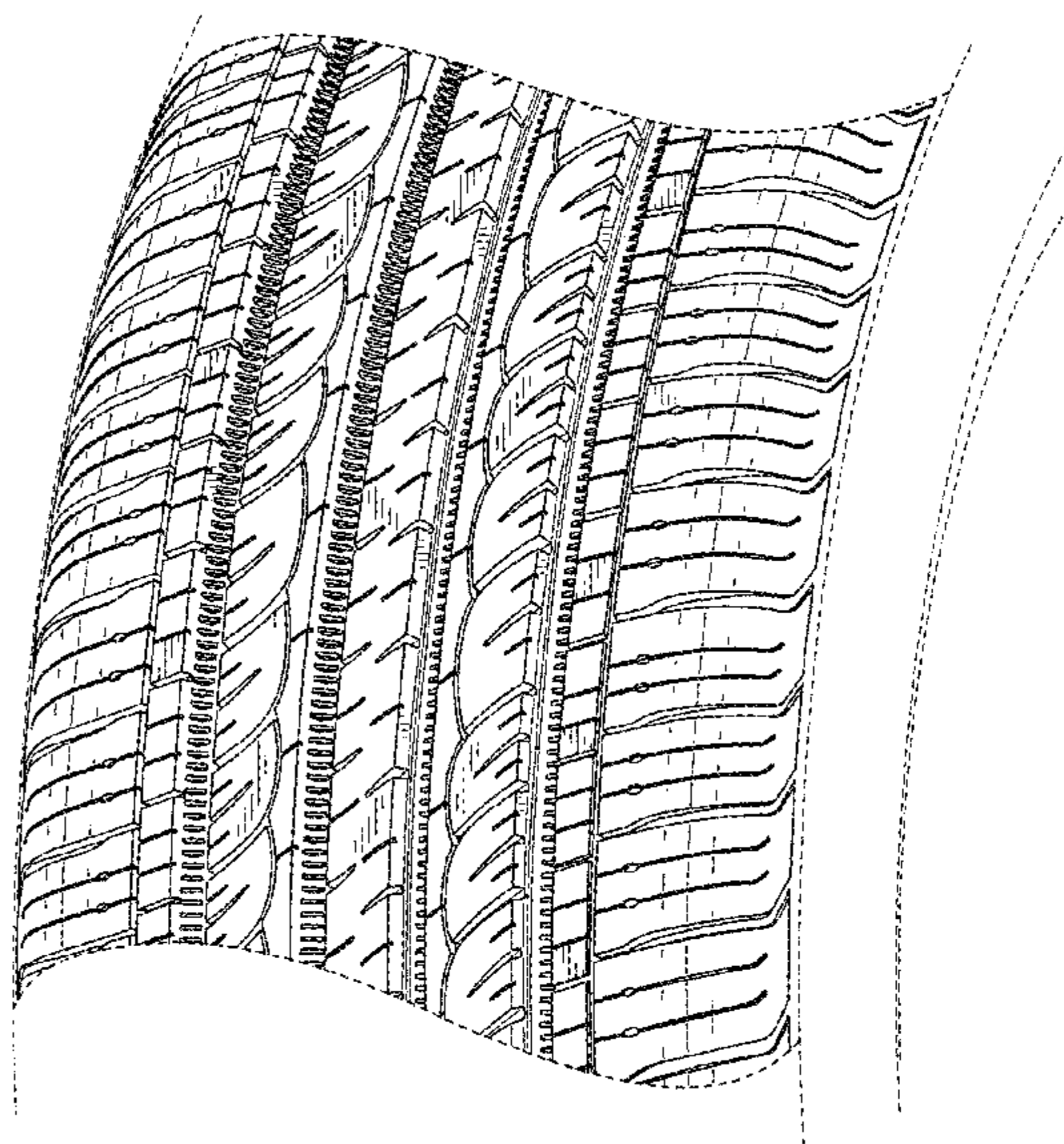
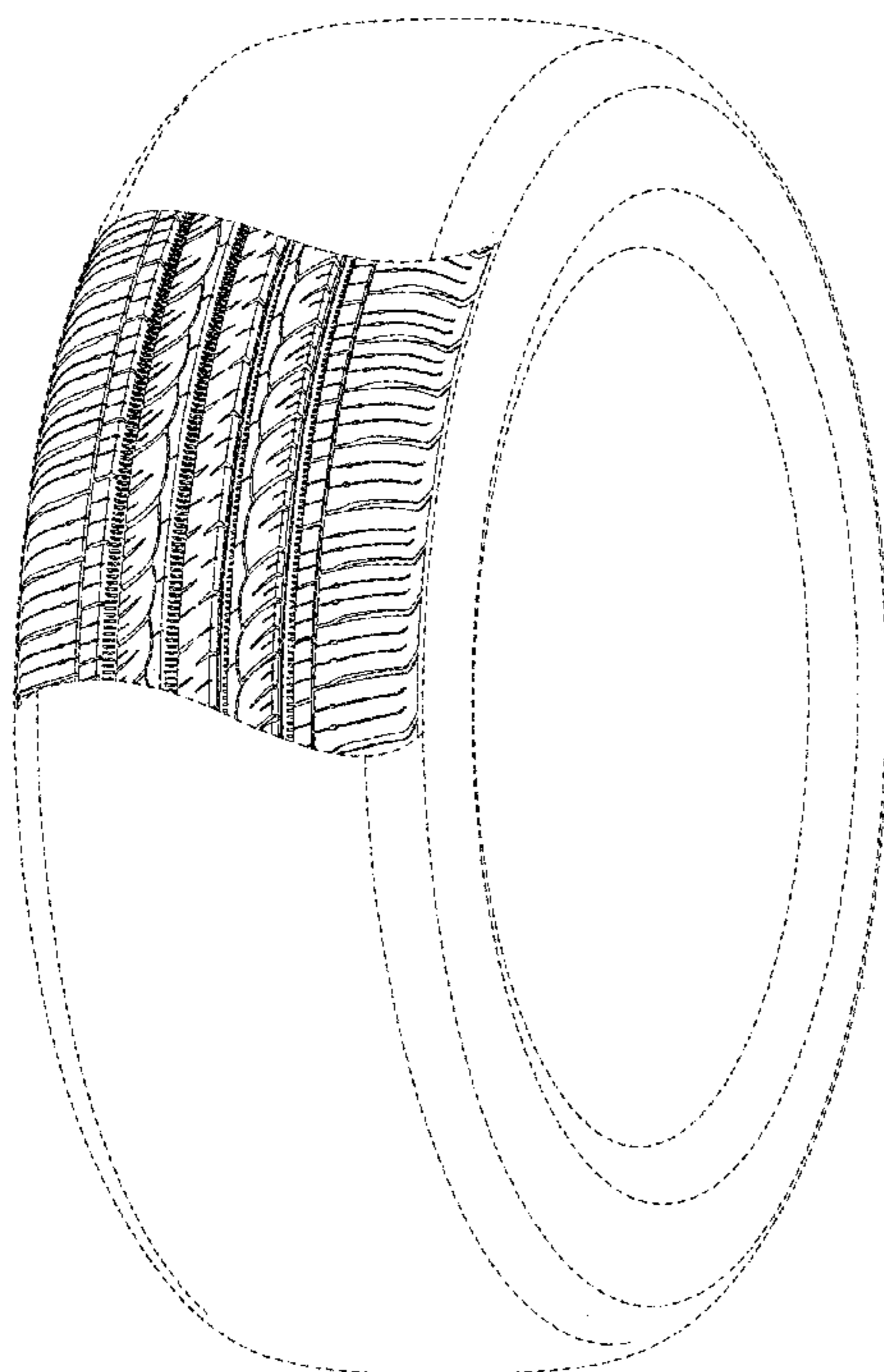


FIG. 1

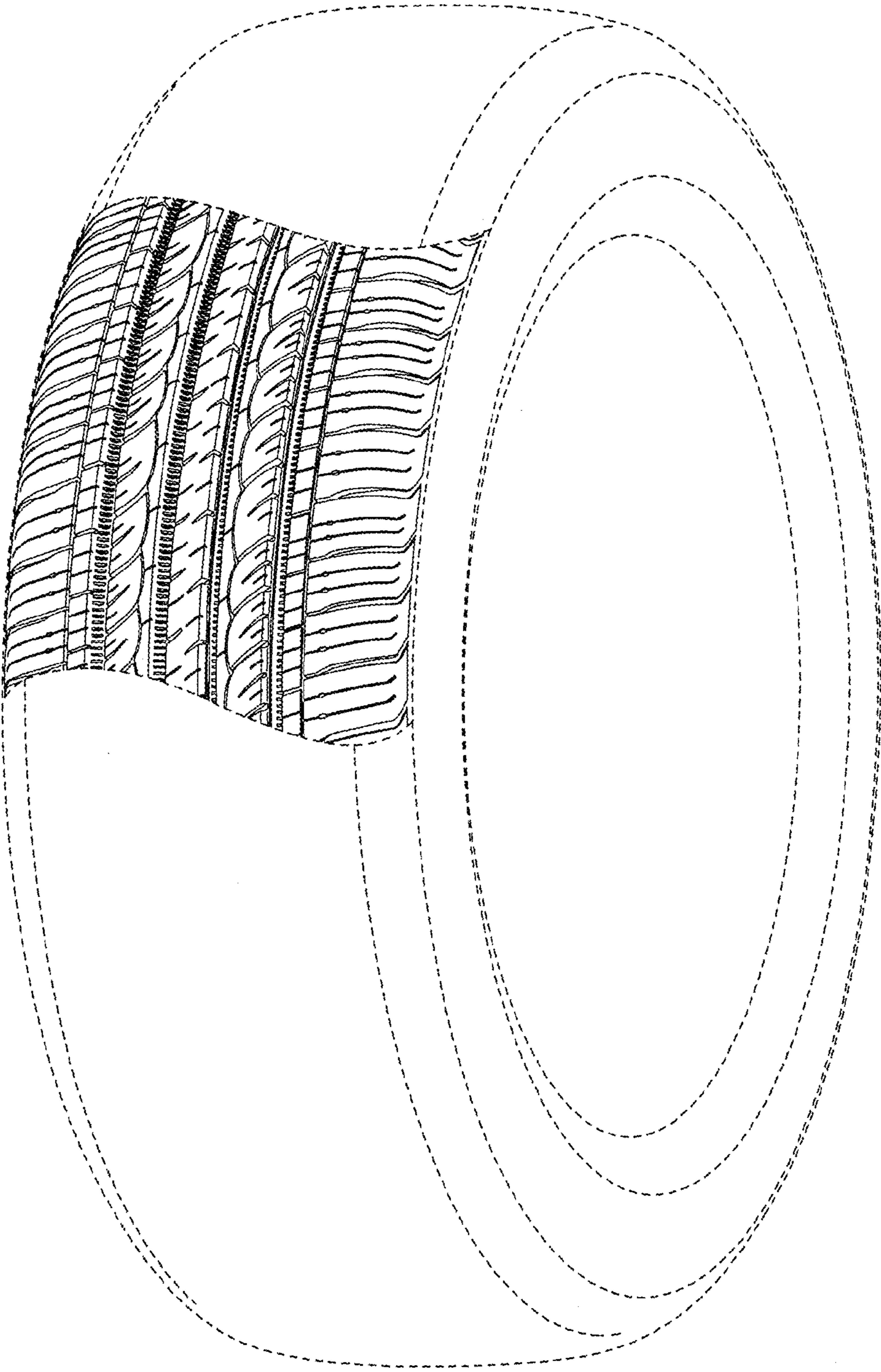




FIG. 2

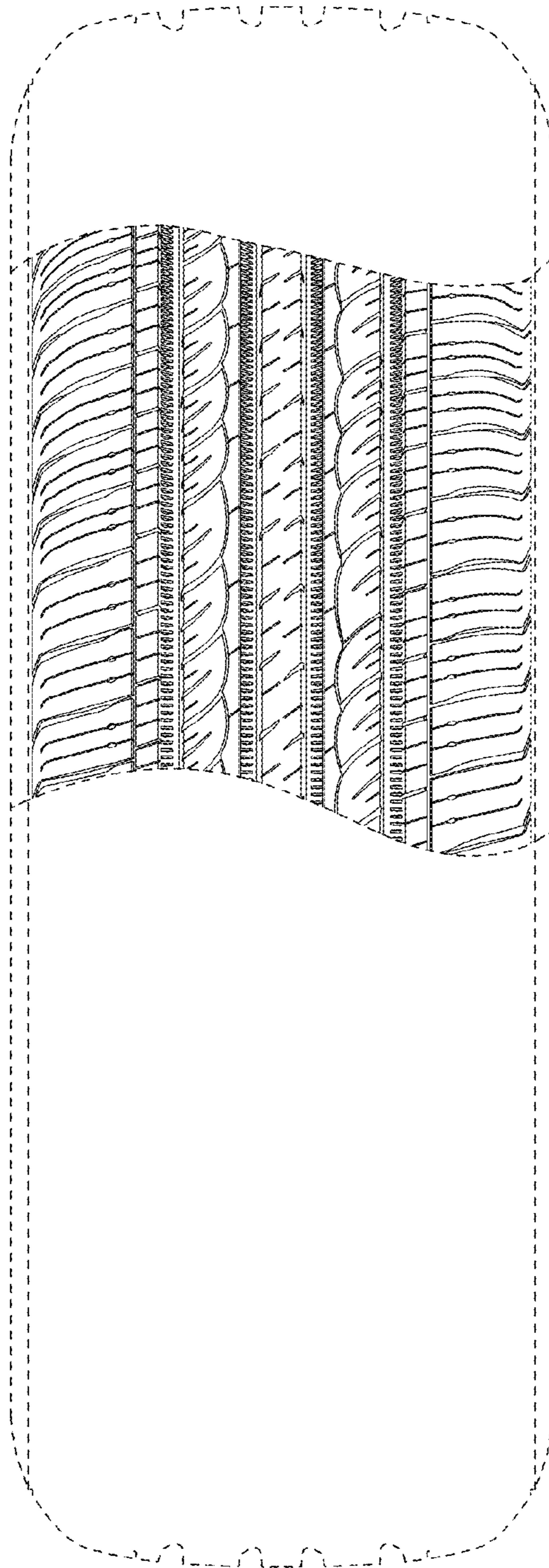


FIG. 3

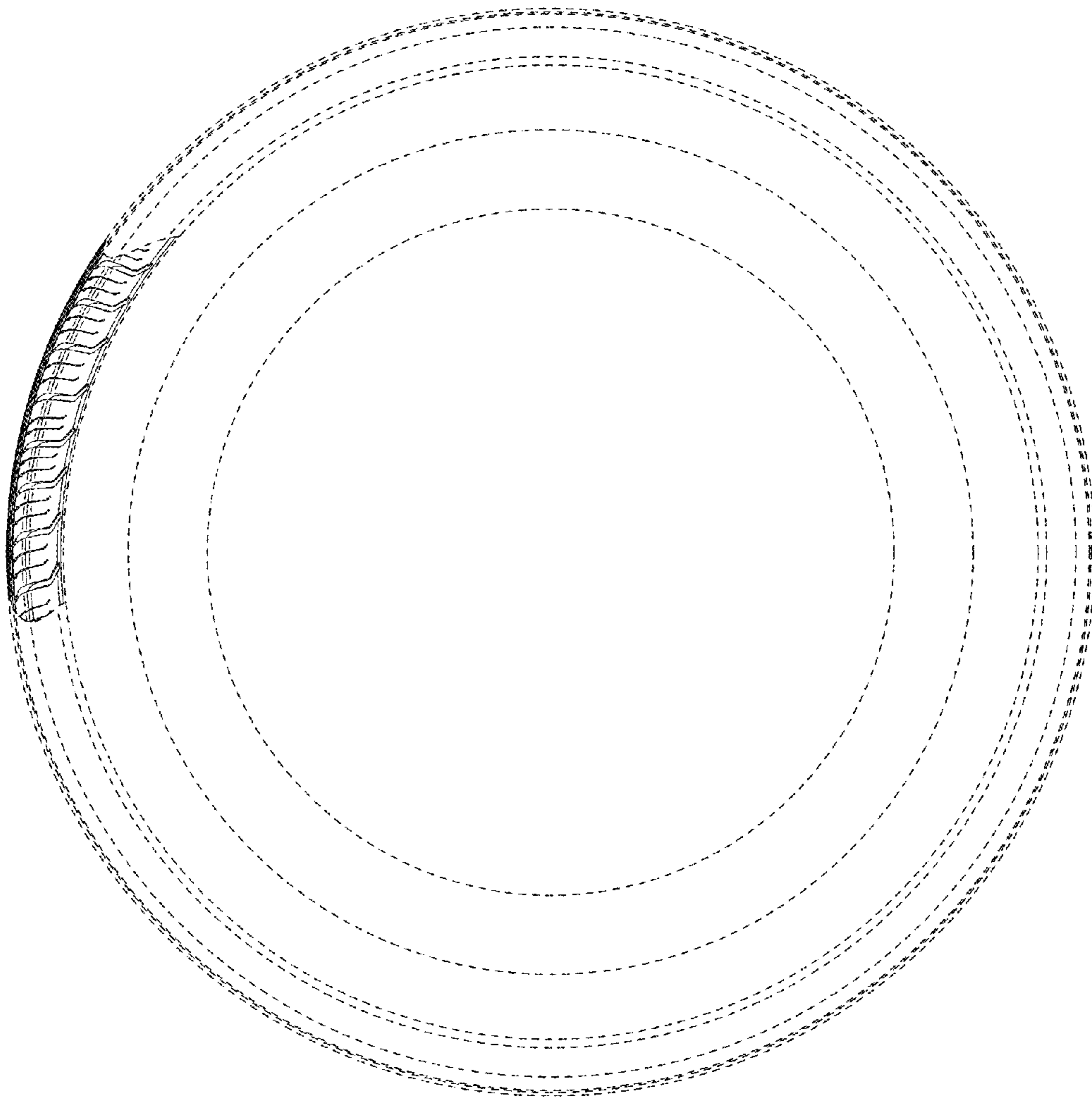


FIG. 4

