



US00D761189S

(12) **United States Design Patent**
Fulford et al.

(10) **Patent No.:** **US D761,189 S**
(45) **Date of Patent:** **** Jul. 12, 2016**

(54) **LATCH FOR INTERIORS OF AIRCRAFT**

(56) **References Cited**

(71) Applicant: **Gulfstream Aerospace Corporation,**
Savannah, GA (US)

U.S. PATENT DOCUMENTS

(72) Inventors: **Andrew Fulford,** Northville, MI (US);
Aram Kasparian, Savannah, GA (US)

D402,528 S *	12/1998	Brucker	D8/313
D508,197 S *	8/2005	Baldwin	D8/313
D562,756 S *	2/2008	Ritts	D12/345
D572,997 S *	7/2008	Gulley	D8/302
D597,394 S *	8/2009	Menzies	D8/313
D597,473 S *	8/2009	Schuephaus	D12/345
D603,315 S *	11/2009	Gamou	D12/190
D616,281 S *	5/2010	Eng	D8/300
D616,721 S *	6/2010	Glass	D8/313
D640,910 S *	7/2011	McDonald	D8/313
D659,505 S *	5/2012	Sakuma	D8/313
D711,722 S *	8/2014	Han	D8/313
D722,929 S *	2/2015	Hatter	D12/181

(73) Assignee: **Gulfstream Aerospace Corporation,**
Savannah, GA (US)

(**) Term: **14 Years**

* cited by examiner

(21) Appl. No.: **29/506,224**

(22) Filed: **Oct. 14, 2014**

Primary Examiner — Robert M Spear

Assistant Examiner — Marissa J Cash

(51) **LOC (10) Cl.** **12-07**

(74) *Attorney, Agent, or Firm* — Ingrassia, Fisher & Lorenz
PC

(52) **U.S. Cl.**

USPC **D12/345**

(57) **CLAIM**

The ornamental design for a latch for interiors of aircraft, as shown and described.

(58) **Field of Classification Search**

USPC D6/336, 384, 653, 654, 665, 657, 663,
D6/672, 573; D7/602, 603, 614; D12/319,
D12/323, 325, 336, 345, 192, 423, 415, 416,
D12/179, 180, 182, 326, 327, 328, 329, 330,
D12/331, 344, 99, 125, 404, 414, 190, 214,
D12/223; D21/436, 447, 448, 449, 453,
D21/437, 442, 446, 450; D8/300, 302, 306,
D8/310, 313, 321, 323, 354
CPC B64C 13/04; B64D 11/0007; B64D
11/0015; B64D 11/003; B64D 11/04; B64D
2011/0046; B64D 11/0629; B64B 1/10;
B64F 5/0009; B60T 8/1703

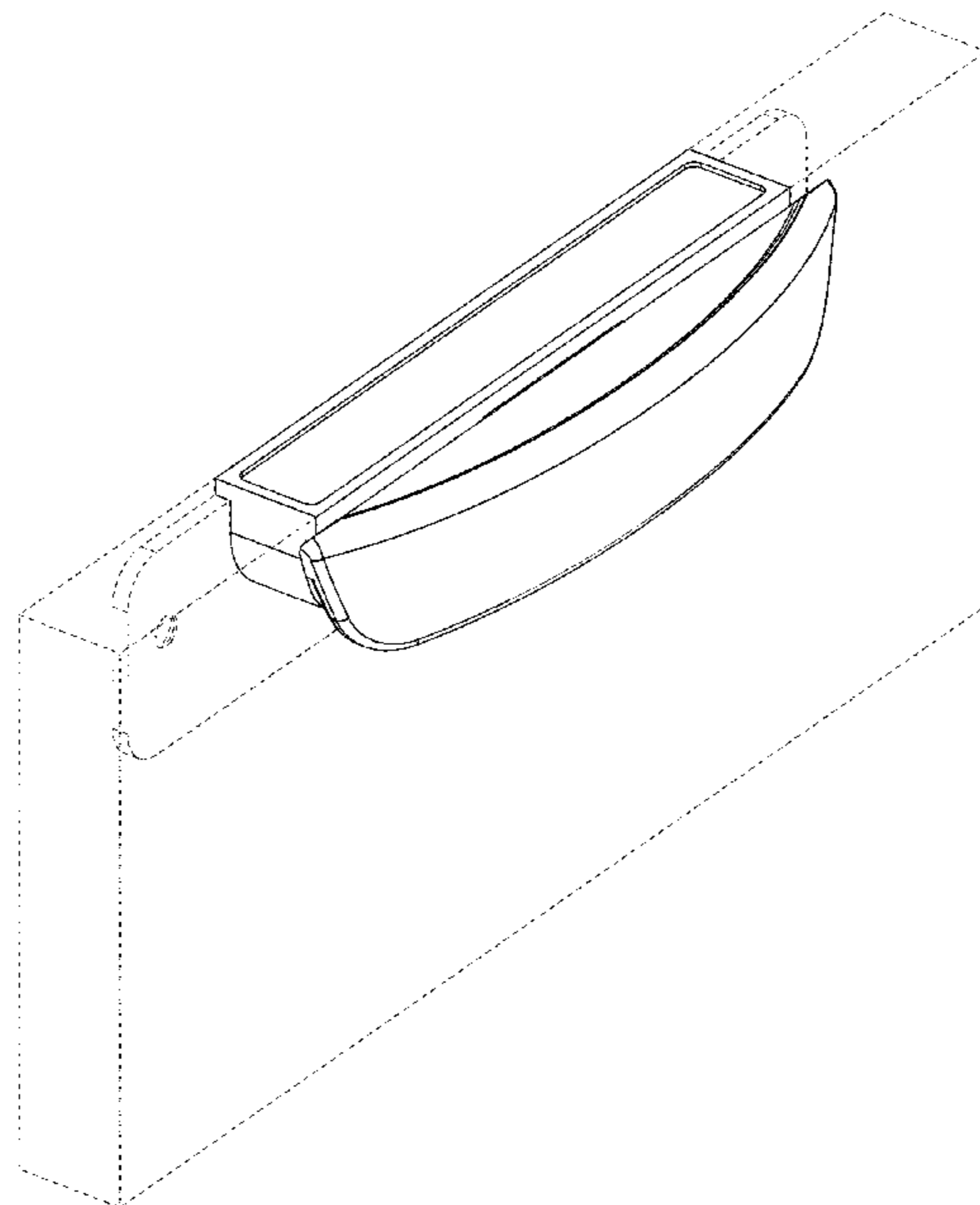
DESCRIPTION

FIG. 1 is a front perspective view of a latch for interiors of aircraft;
FIG. 2 is a front view thereof, shown removed from its environment for clarity of disclosure;
FIG. 3 is a back view thereof;
FIG. 4 is a top view thereof;
FIG. 5 is a bottom view thereof; and,
FIG. 6 is a first side view thereof, the second side view being a mirror image.

The broken lines illustrate structure and environment that form no part of the claimed design.

See application file for complete search history.

1 Claim, 4 Drawing Sheets



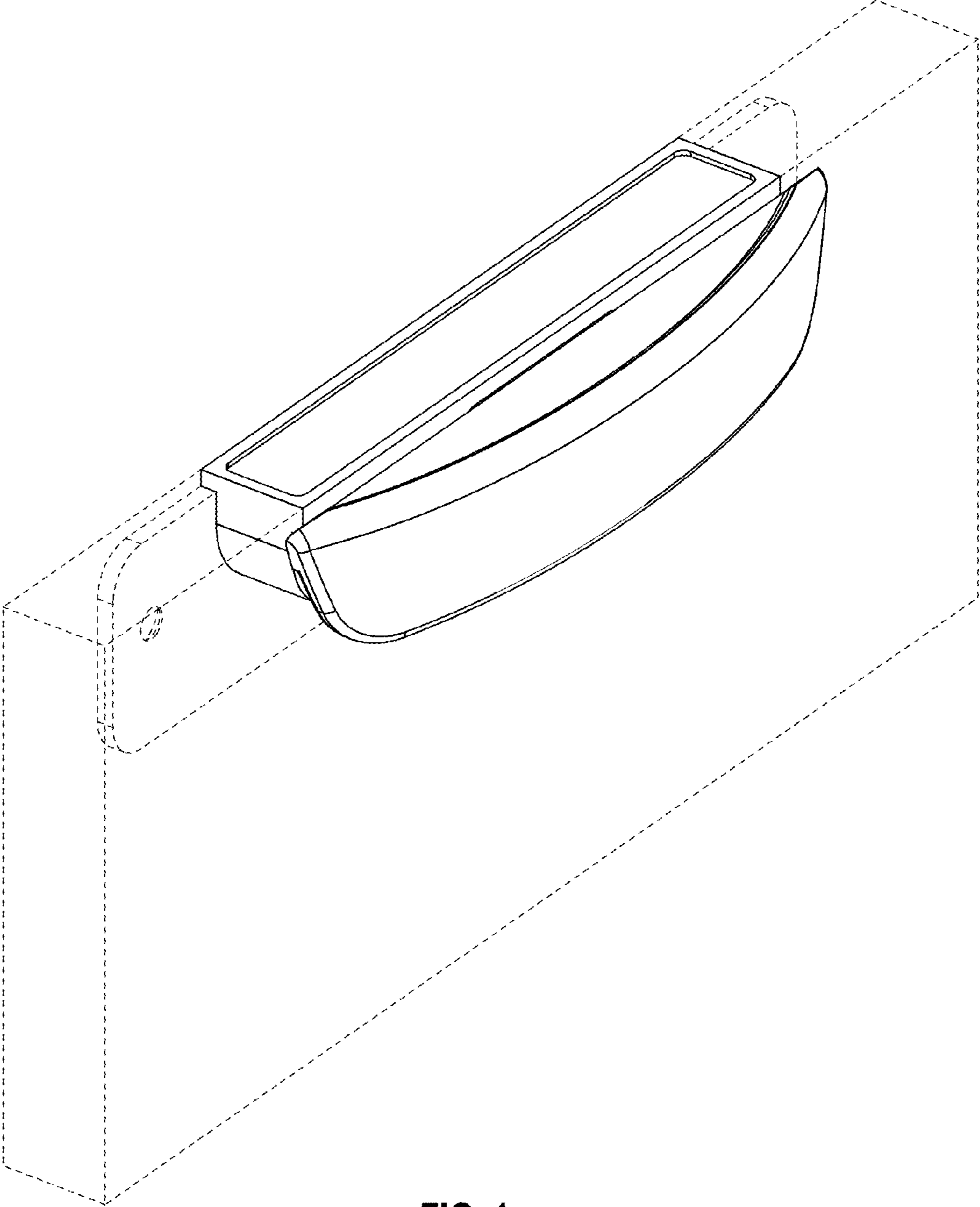


FIG. 1

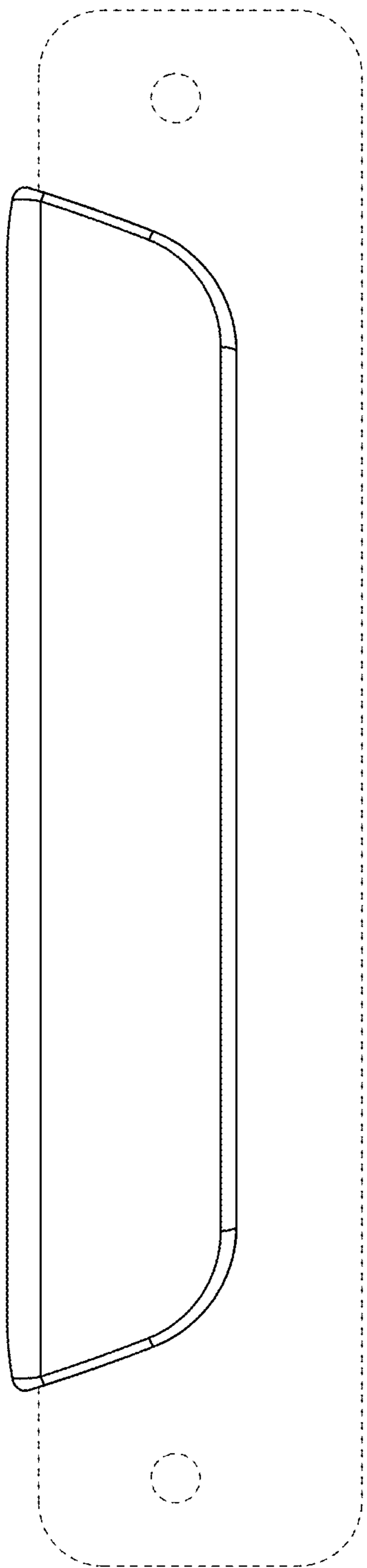


FIG. 2

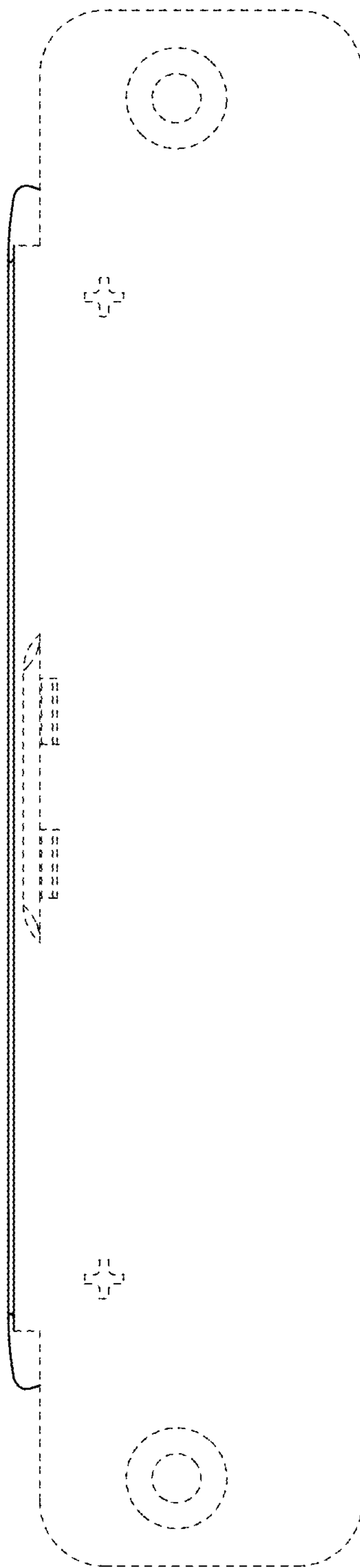


FIG. 3

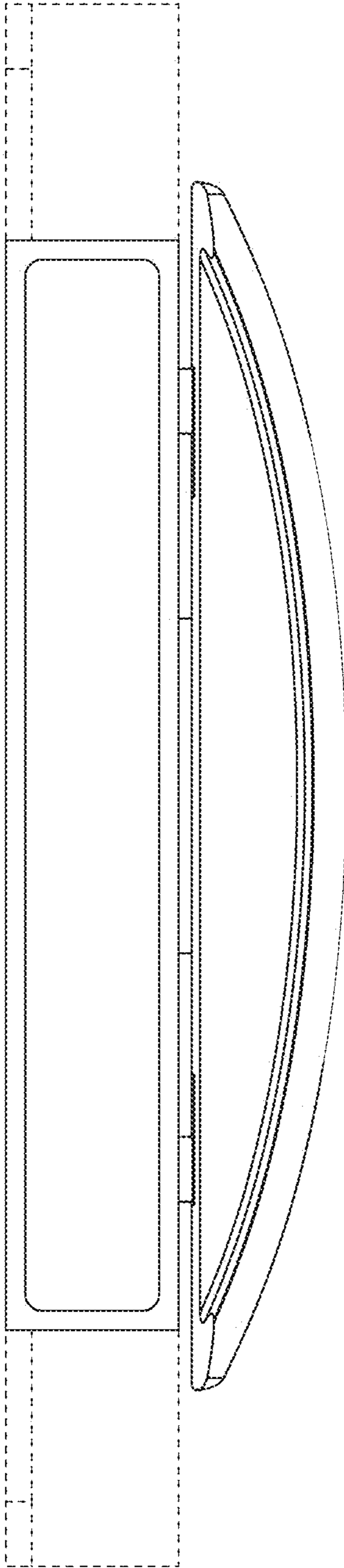


FIG. 4

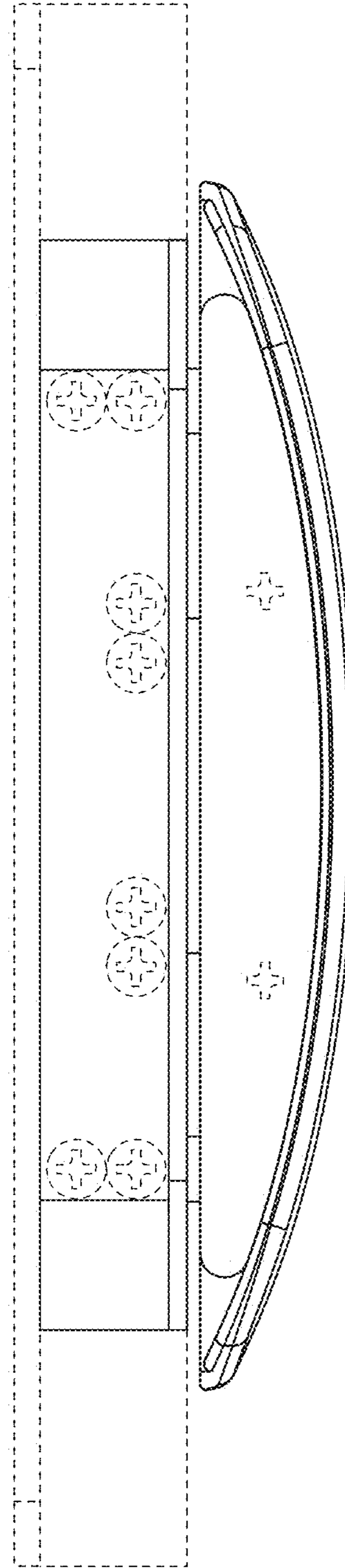


FIG. 5

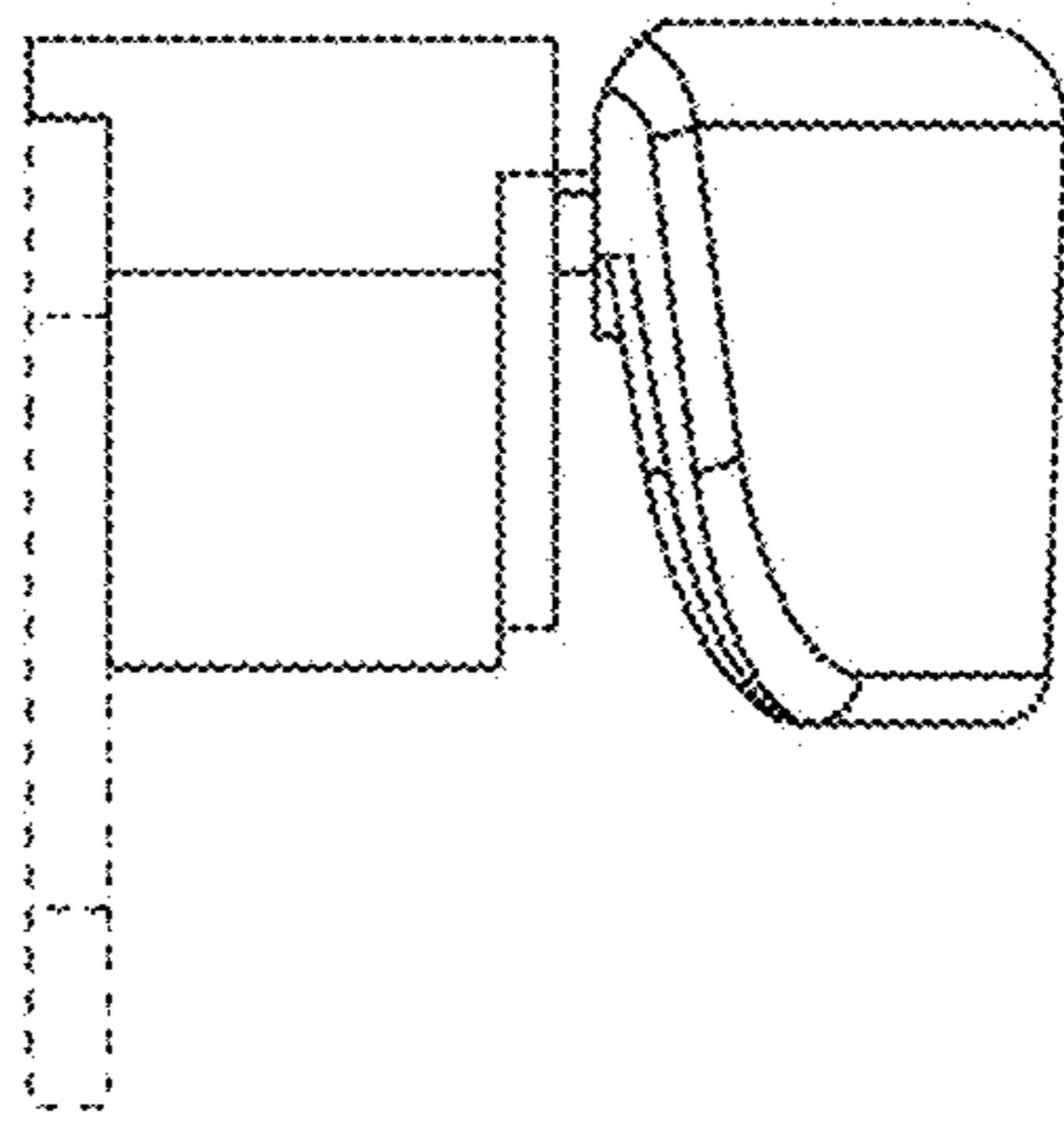


FIG. 6