



US00D761187S

(12) **United States Design Patent**
Castanha et al.

(10) **Patent No.:** **US D761,187 S**
(45) **Date of Patent:** **** Jul. 12, 2016**

(54) **AIRCRAFT INTERIOR VALANCE**
(71) Applicant: **EMBRAER S.A.**, São José dos Campos SP (BR)
(72) Inventors: **Bruno Kimura Castanha**, São José dos Campos SP (BR); **Jay Beever**, Melbourne, FL (US); **Fernando Henrique Da Silva**, São José dos Campos SP (BR); **Oliver Turci De Camargo**, São José Campos SP (BR); **Joshua Rea**, Melbourne, FL (US); **Rainer Zierer**, Melbourne, FL (US)

D463,357	S *	9/2002	Granzeier et al.	D12/345
7,198,387	B1 *	4/2007	Gloisten et al.	362/294
D600,623	S *	9/2009	Fiedler et al.	D12/345
D600,624	S *	9/2009	Fiedler et al.	D12/345
D624,481	S *	9/2010	Schuephaus et al.	D12/345
D624,482	S *	9/2010	Schuephaus et al.	D12/345
D624,483	S *	9/2010	Schuephaus et al.	D12/345
7,789,084	B2 *	9/2010	Rittner et al.	128/204.18
D628,529	S *	12/2010	Fiedler et al.	D12/345
2004/0000616	A1 *	1/2004	Finke et al.	244/118.5
2010/0012780	A1 *	1/2010	Kohlmeier-Beckmann et al.	244/118.5
2012/0012707	A1 *	1/2012	Schliwa et al.	244/118.5
2013/0208473	A1 *	8/2013	Palagashvili et al.	362/246
2015/0016129	A1	1/2015	Castanha et al.		

(73) Assignee: **EMBRAER S.A.**, São José Dos Campos—SP (BR)

(**) Term: **14 Years**

(21) Appl. No.: **29/455,208**

(22) Filed: **May 17, 2013**

(51) **LOC (10) Cl.** **12-07**

(52) **U.S. Cl.**
USPC **D12/345**

(58) **Field of Classification Search**
USPC D12/345, 190, 192, 195, 400; 244/117 R, 118.1, 118.5, 118.6, 119, 244/129.1; 362/246, 294
CPC B64D 11/00; B64D 11/0015; B64D 2011/0038; B64D 47/00; B64D 47/02
See application file for complete search history.

(56) **References Cited**

U.S. PATENT DOCUMENTS

D244,018	S *	4/1977	Greiss et al.	D12/195
D244,442	S *	5/1977	Greiss et al.	D12/195
D259,038	S *	4/1981	Smith	D12/195
D288,553	S *	3/1987	Diener	D12/195
D455,390	S *	4/2002	Granzeier et al.	D12/345

* cited by examiner

Primary Examiner — Martie K Holtje

(74) *Attorney, Agent, or Firm* — Nixon & Vanderhye P.C.

(57) **CLAIM**

The ornamental design for “aircraft interior valance,” as shown and described.

DESCRIPTION

This application is related to commonly owned U.S. patent application Ser. No. 14/259,929 filed on Apr. 24, 2014 (published as U.S. 2015/0016129).

FIG. 1 is a front perspective view of an aircraft interior valance showing our new design;

FIG. 2 is a rear elevational view thereof,

FIG. 3 is a front elevational view thereof,

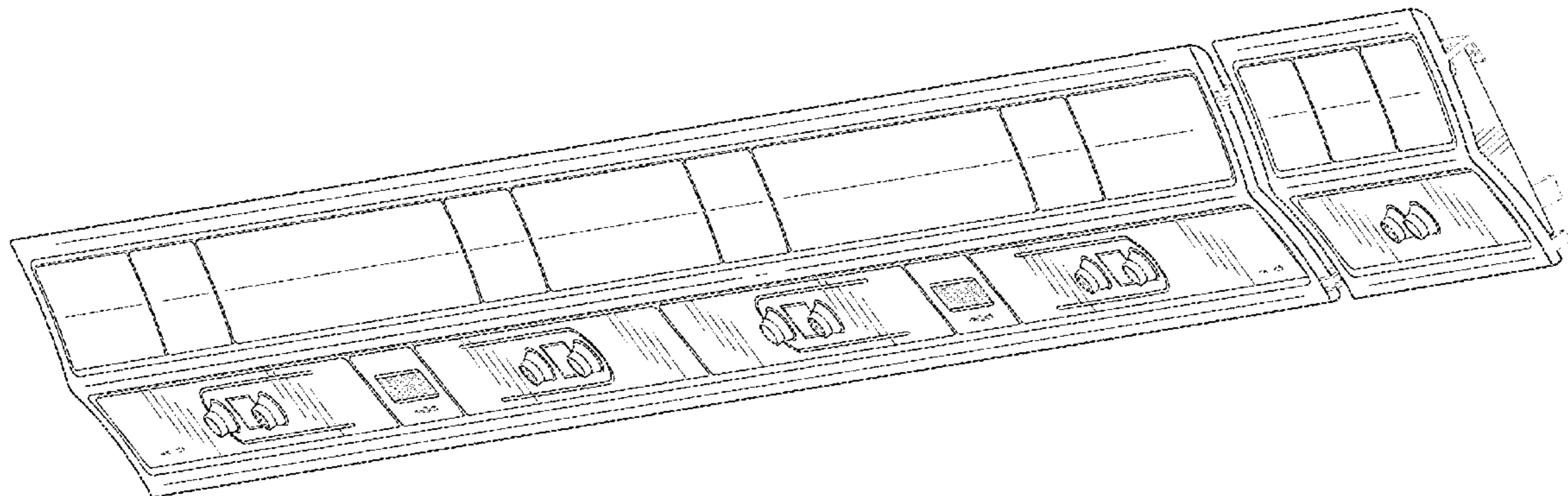
FIG. 4 is a top plan view thereof,

FIG. 5 is a right side elevational view thereof drawn to an enlarged scale; and,

FIG. 6 is a left side elevational view thereof drawn to an enlarged scale.

The structural features depicted by broken lines have been shown for the purpose of illustrating portions of the aircraft interior valance that form no part of the claimed design.

1 Claim, 3 Drawing Sheets



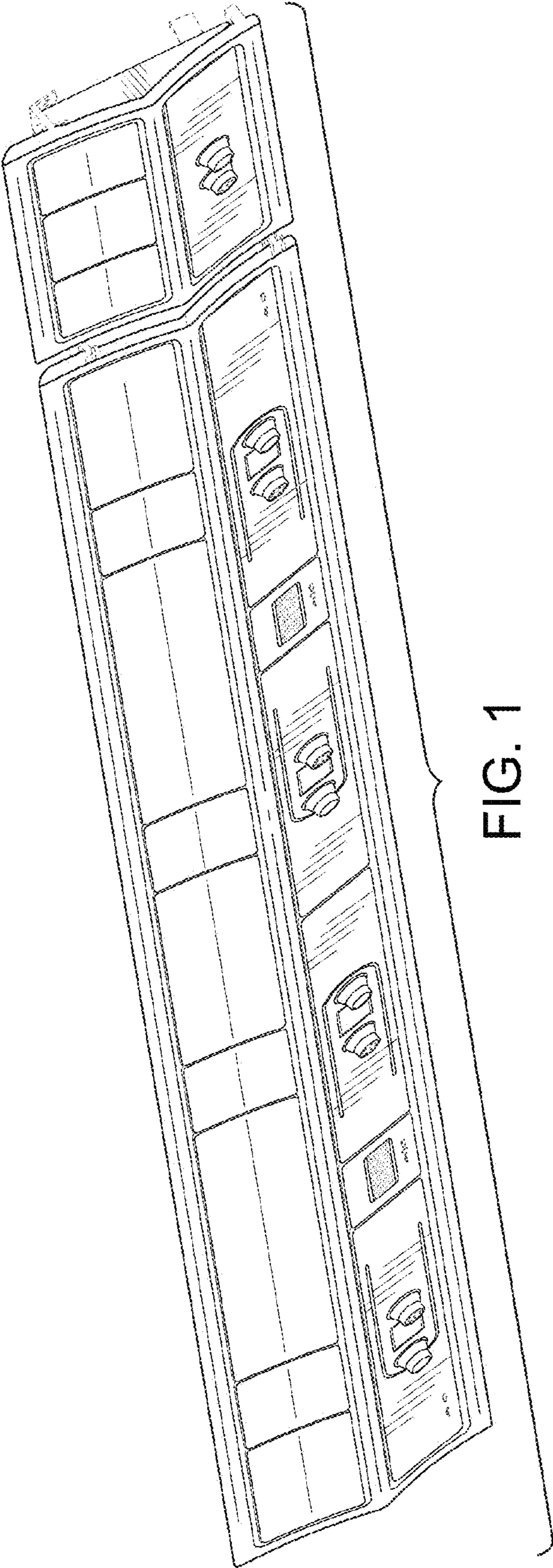


FIG. 1

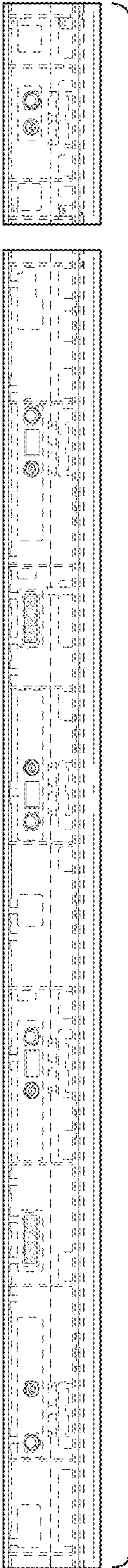


FIG. 2

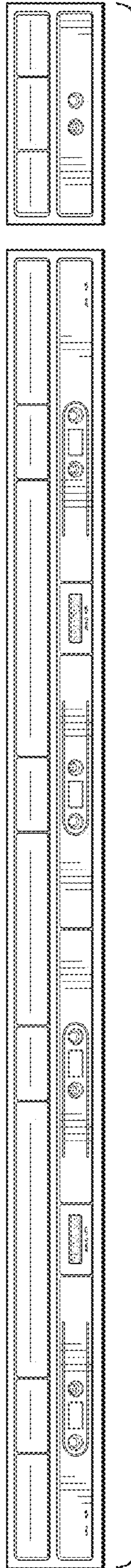


FIG. 3

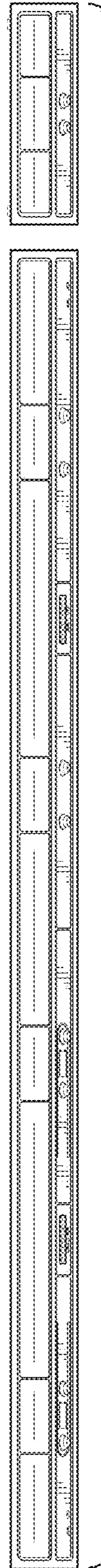


FIG. 4

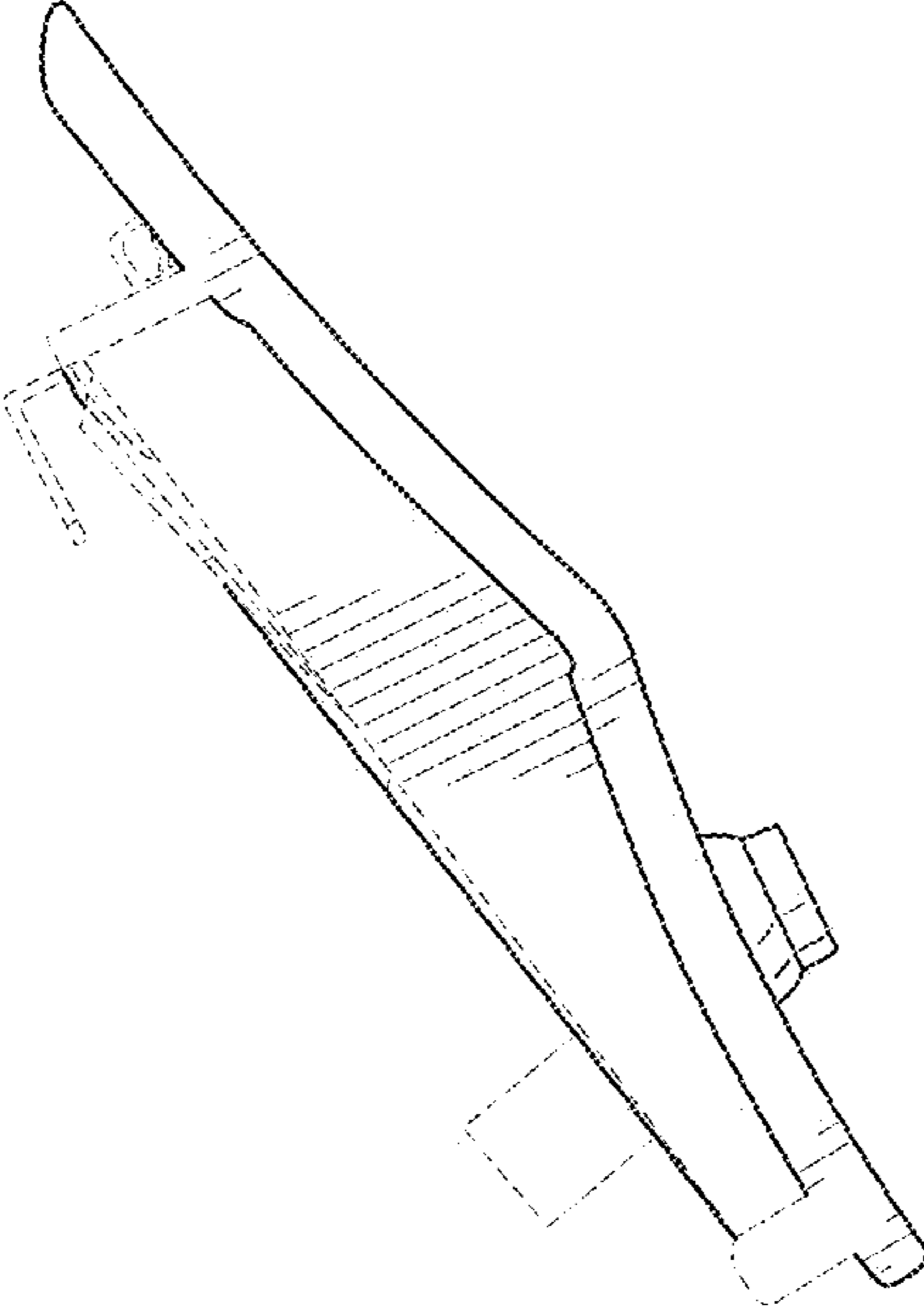


FIG. 5

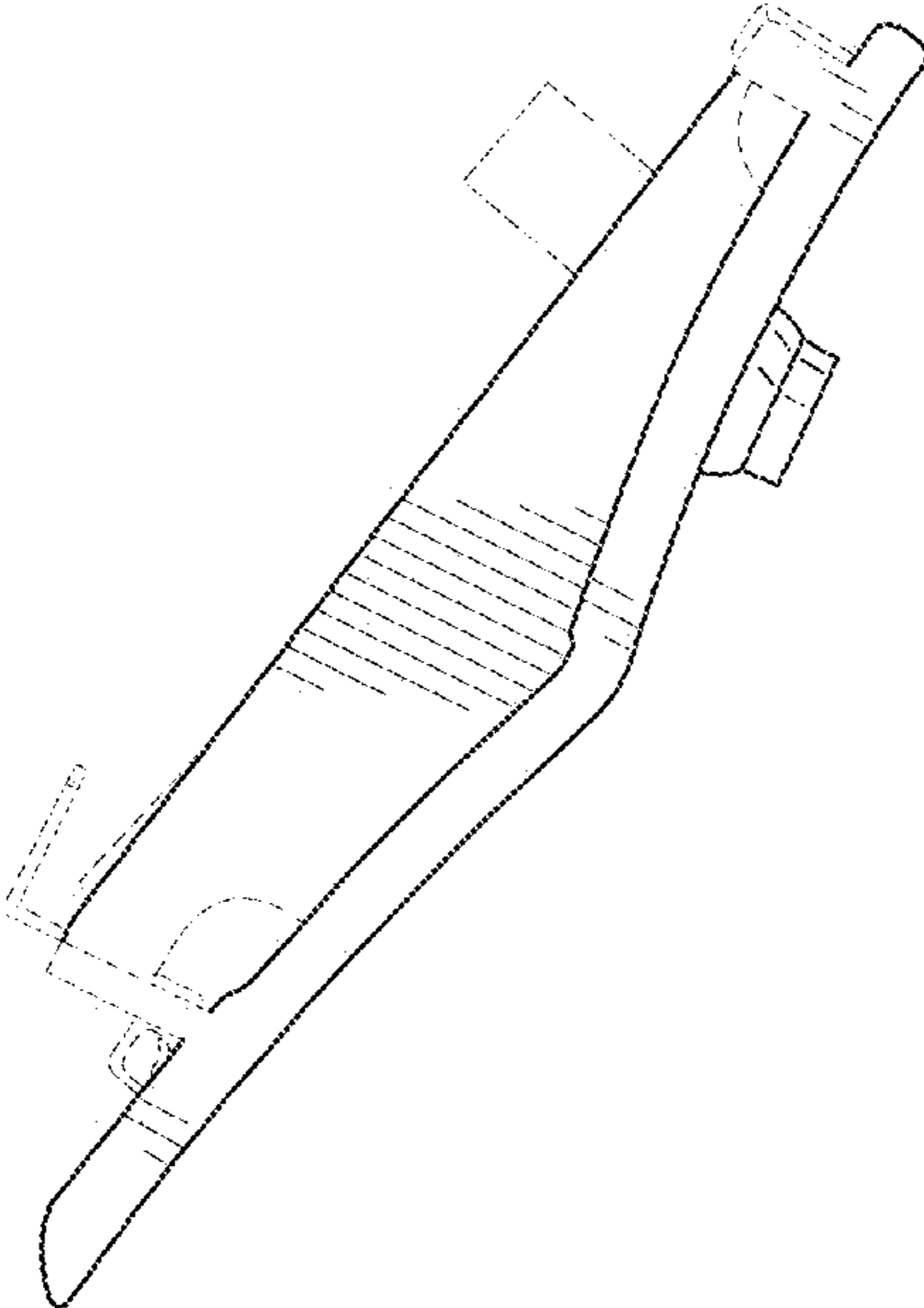


FIG. 6