

US00D761186S

(12) **United States Design Patent**  
**Emch**

(10) **Patent No.:** **US D761,186 S**  
(45) **Date of Patent:** **\*\* Jul. 12, 2016**

- (54) **CONSTRUCTION BARGE DECK** 4,768,456 A \* 9/1988 Jones ..... B63B 35/34  
114/266
- (71) Applicant: **Mid-America Foundation Supply Inc.,** 5,281,055 A \* 1/1994 Neitzke ..... E02B 3/064  
Fort Wayne, IN (US) 114/263
- (72) Inventor: **Jeffrey J. Emch,** Butler, IN (US) 5,613,339 A 3/1997 Pollock  
5,915,325 A 6/1999 Gerber et al.  
6,073,572 A \* 6/2000 Gruhn ..... B63B 35/38  
114/263

(73) Assignee: **Mid-America Foundation Supply Inc.,**  
Fort Wayne, IN (US)

(Continued)

(\*\*) Term: **15 Years**

(21) Appl. No.: **29/538,977**

(22) Filed: **Sep. 10, 2015**

**OTHER PUBLICATIONS**

Poseidon Barge Corporation Brochure, prior to Nov. 3, 2008.

(Continued)

*Primary Examiner* — Cynthia M Chin

(74) *Attorney, Agent, or Firm* — Faegre Baker Daniels LLP

(57) **CLAIM**

The ornamental design for a construction barge deck, as shown and described.

**DESCRIPTION**

FIG. 1 is a perspective view of a construction barge deck design according to a first embodiment;  
 FIG. 2 is a top view thereof;  
 FIG. 3 is a first side view thereof;  
 FIG. 4 is a second side view thereof;  
 FIG. 5 is a first end view thereof; and  
 FIG. 6 is a second end view thereof.  
 FIG. 7 is a perspective view of a construction barge deck design according to a second embodiment;  
 FIG. 8 is a top view thereof;  
 FIG. 9 is a first side view thereof, it being understood that the first and second sides are identical; and,  
 FIG. 10 is a first end view thereof, it being understood that the first and second ends are identical.

The features shown in broken lines form no part of the claimed design.

The broken away symbols in the drawings indicate the appearance of any portion of the article between the break lines forms no part of the claimed design.

**1 Claim, 6 Drawing Sheets**

**Related U.S. Application Data**

(62) Division of application No. 29/468,259, filed on Sep. 27, 2013, now Pat. No. Des. 740,738.

(51) **LOC (10) Cl.** ..... **12-06**

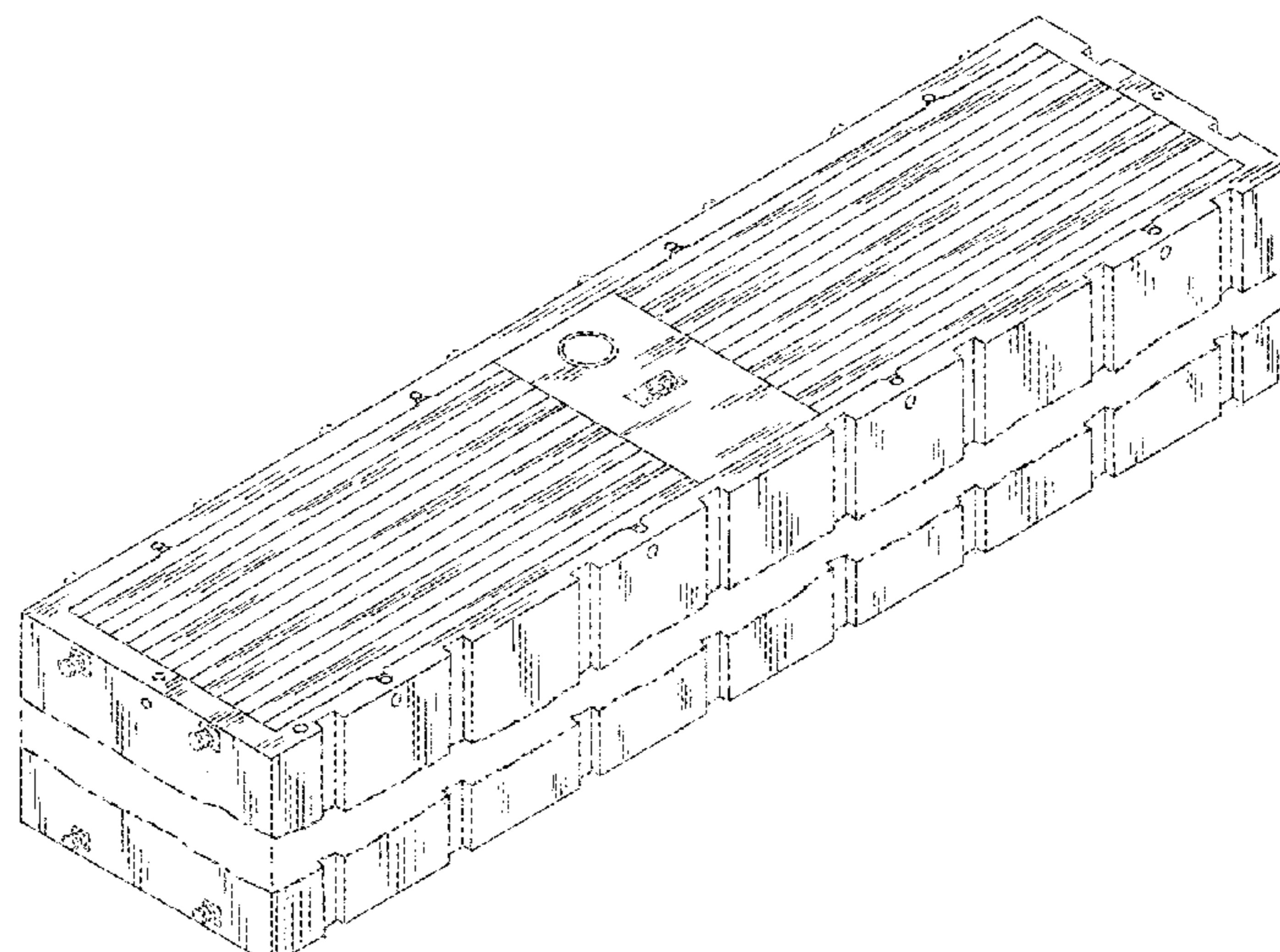
(52) **U.S. Cl.**  
USPC ..... **D12/316**

(58) **Field of Classification Search**  
 USPC ..... D12/300, 316, 317, 318  
 CPC ..... B63B 35/00; B63B 35/28; B63B 35/34;  
 B63B 35/38; B63B 35/44; B63B 9/00; B63B  
 9/06; B63B 25/00; B63B 25/004; B63B  
 25/006; B63B 3/00; B63B 3/08; B63B 3/48;  
 B63B 5/00; B63B 5/14; B63B 5/24  
 See application file for complete search history.

(56) **References Cited**

**U.S. PATENT DOCUMENTS**

- 2,604,866 A 7/1952 Alcorn
- 2,605,733 A 8/1952 Smith
- 2,847,961 A 8/1958 Meckenstock
- 3,057,315 A 10/1962 Probishaw
- 3,283,517 A 11/1966 Phillips
- 3,289,621 A 12/1966 Sebring
- 3,889,619 A 6/1975 Glassmeyer
- 4,011,826 A 3/1977 Yee



(56)

**References Cited**

U.S. PATENT DOCUMENTS

6,179,525 B1 \* 1/2001 Gruhn ..... B63B 3/08  
 114/263  
 6,374,763 B1 \* 4/2002 Hartman ..... B29C 49/04  
 114/263  
 D482,315 S \* 11/2003 Bridge ..... D12/316  
 8,079,320 B1 12/2011 Suriani  
 D667,772 S \* 9/2012 Hendren ..... D12/316  
 8,292,547 B2 \* 10/2012 Johanneck ..... E02B 3/064  
 114/263  
 8,528,494 B2 \* 9/2013 Moody ..... B63B 3/08  
 114/219  
 8,671,867 B1 3/2014 Emch  
 D719,077 S \* 12/2014 Emch ..... D12/316  
 2004/0058599 A1 3/2004 Johnson  
 2005/0109255 A1 5/2005 Williamson et al.  
 2009/0134171 A1 5/2009 deBerardinis

2009/0283025 A1 11/2009 Bigler et al.  
 2012/0220178 A1 8/2012 Emch  
 2013/0019791 A1 1/2013 Schmidt et al.

OTHER PUBLICATIONS

Shugart Barges Product Brochure, at least as early as Oct. 30, 2011.  
 Shugart Manufacturing, Product Brochure, 2003.  
 New Shugart Compatible Sectional Barges, posted at Waterways  
 Equipment Exchange, [online], [site visited Feb. 25, 2014] Available  
 from Internet, <URL: <http://www.waterwaysequipment.com/sb1755.htm>, at least as early as Sep. 27, 2013.  
 Truckable Barges, posted at Truckable Barge, [online], [site visited  
 Feb. 25, 2014]. Available from Internet, <URL: <http://www.maritimesales.com/ROS17/htm>, at least as early as Sep. 27, 2013.  
 10x40x5 Section barge shugart compatible, posted at Barges &  
 Workboats for Sale, [online]m [site visited Feb. 25, 2014] Available  
 from Internet, <URL:<http://www.bargesandworkboatsforsale.com/10x40x5-sectional-barge-shugart-compatible-26000-each/>, at least  
 as early as Sep. 27, 2013.

\* cited by examiner



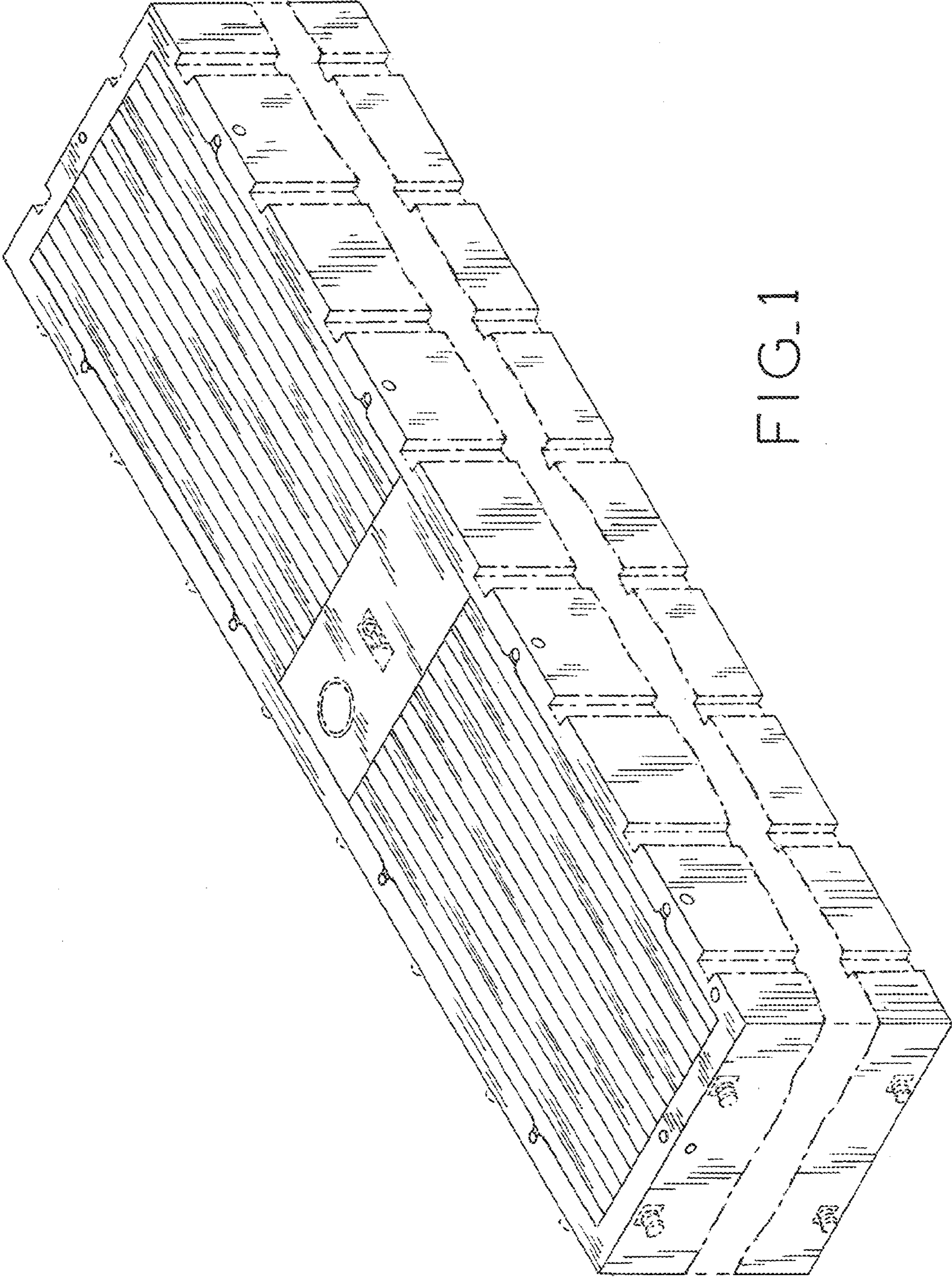


FIG. 1

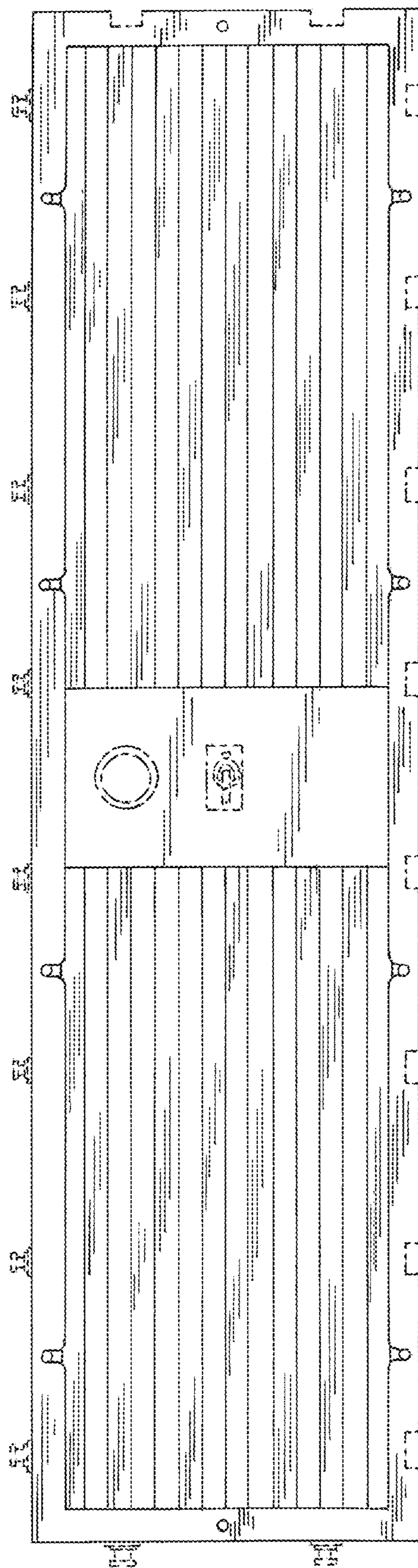


FIG. 2

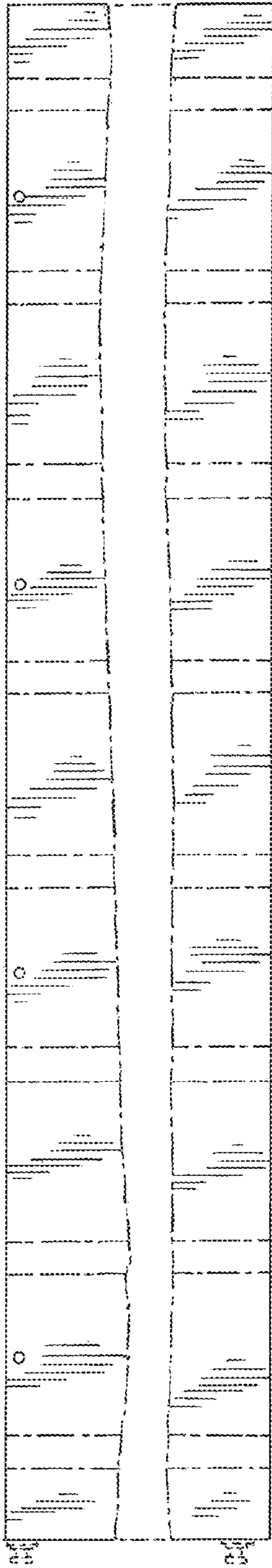


FIG. 3

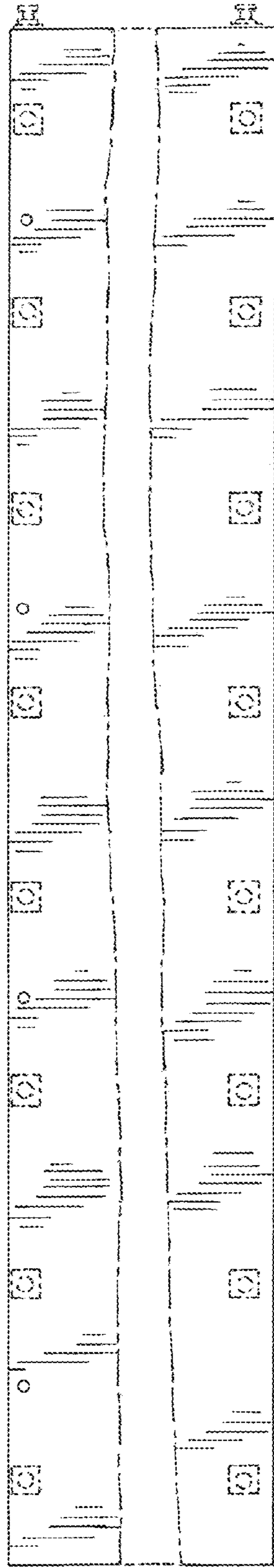


FIG. 4

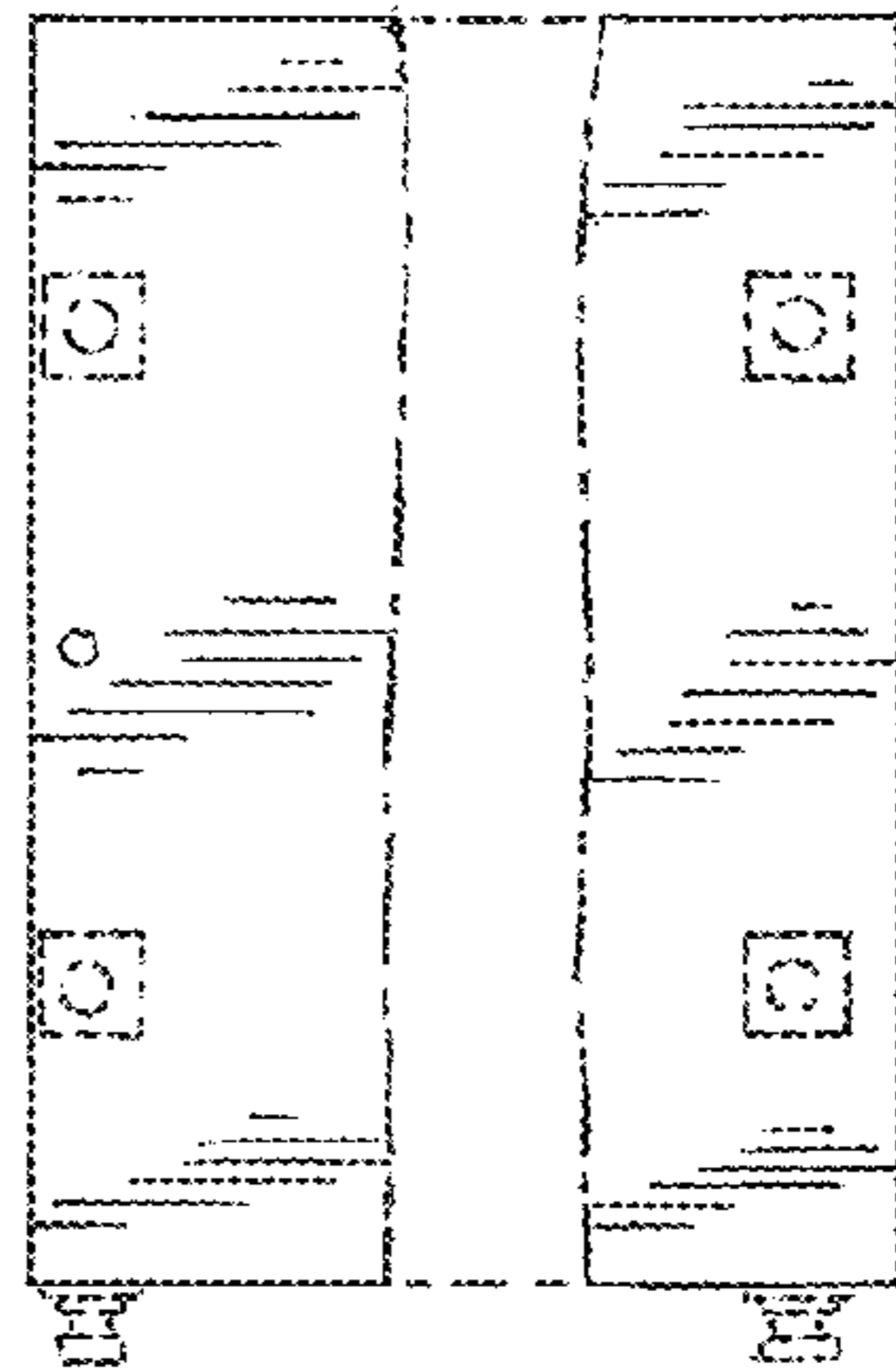


FIG. 5

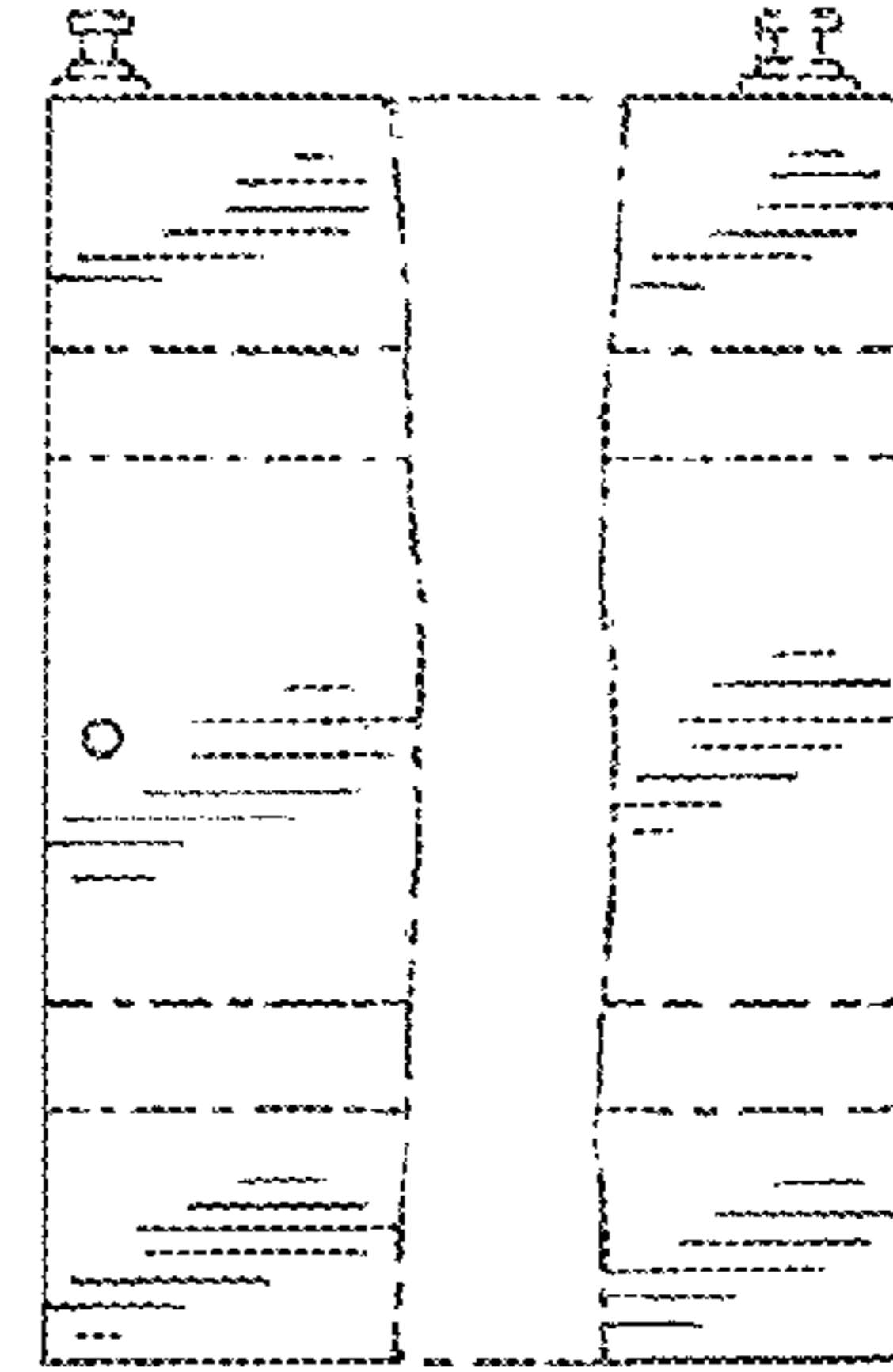


FIG. 6



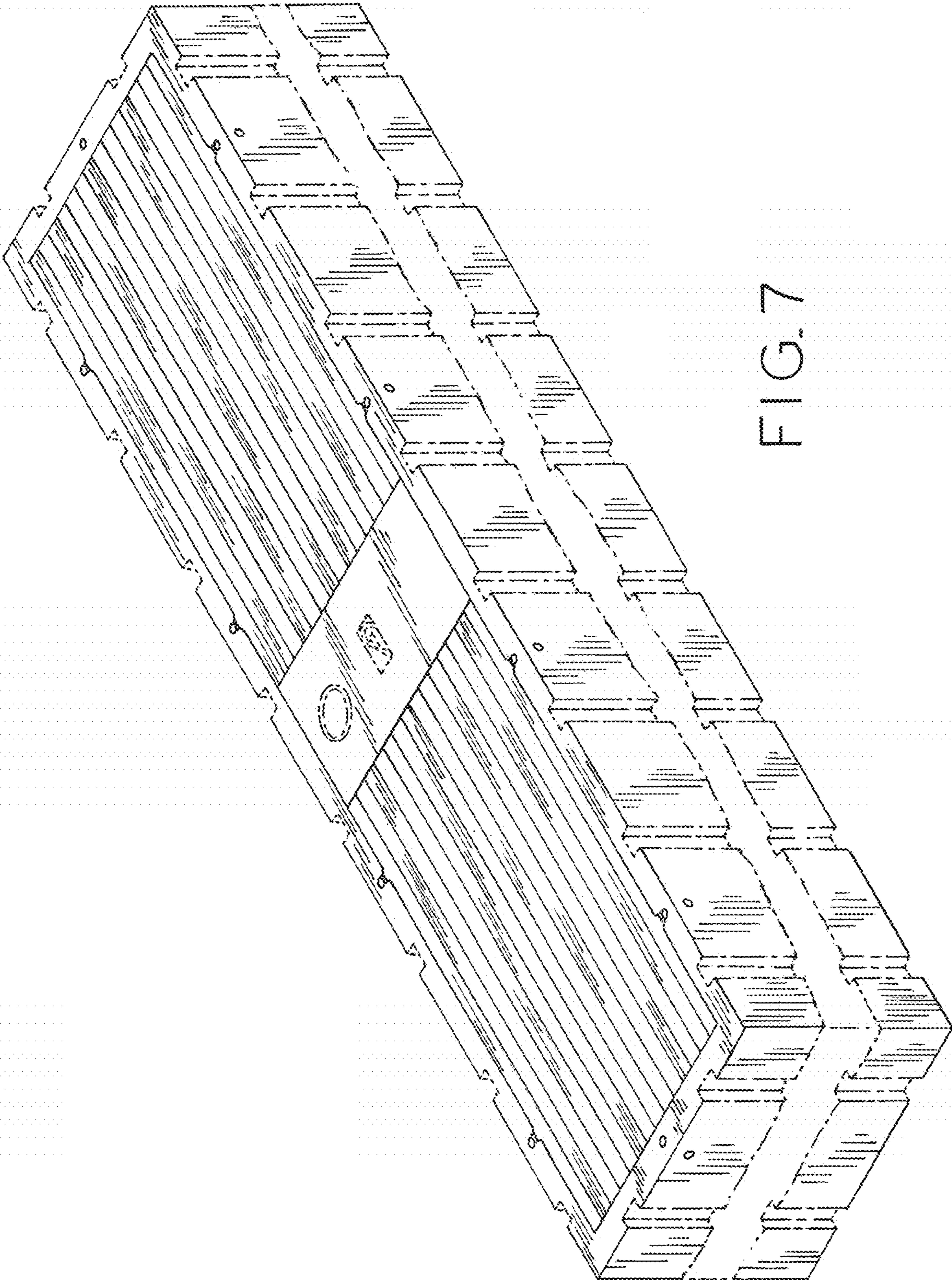


FIG. 7

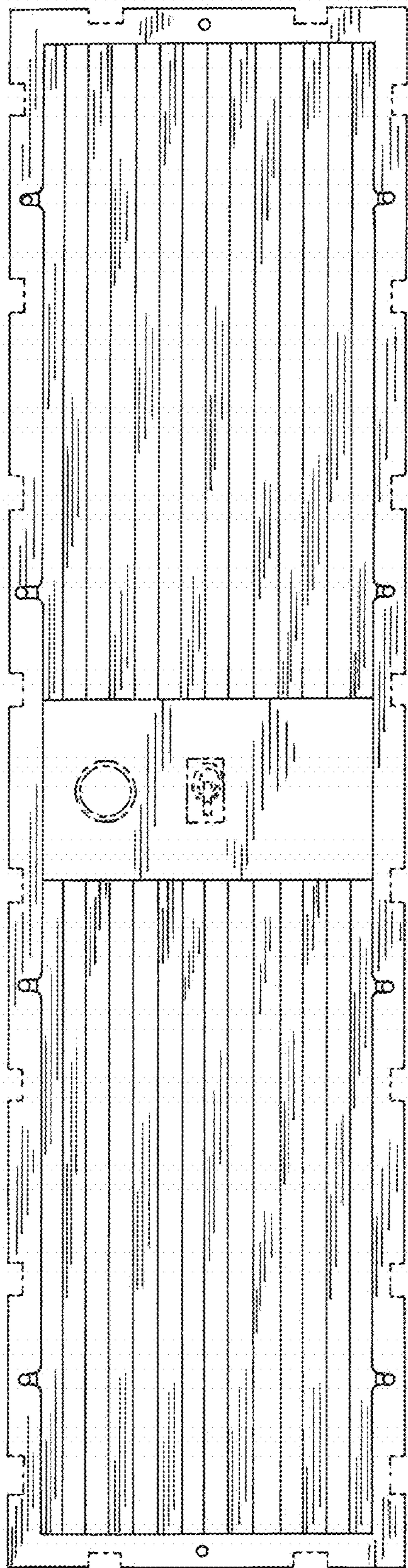


FIG. 8



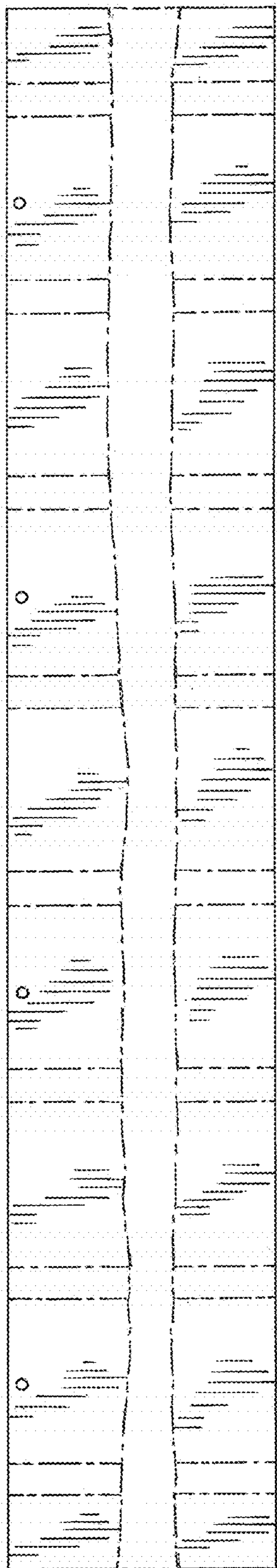


FIG. 9

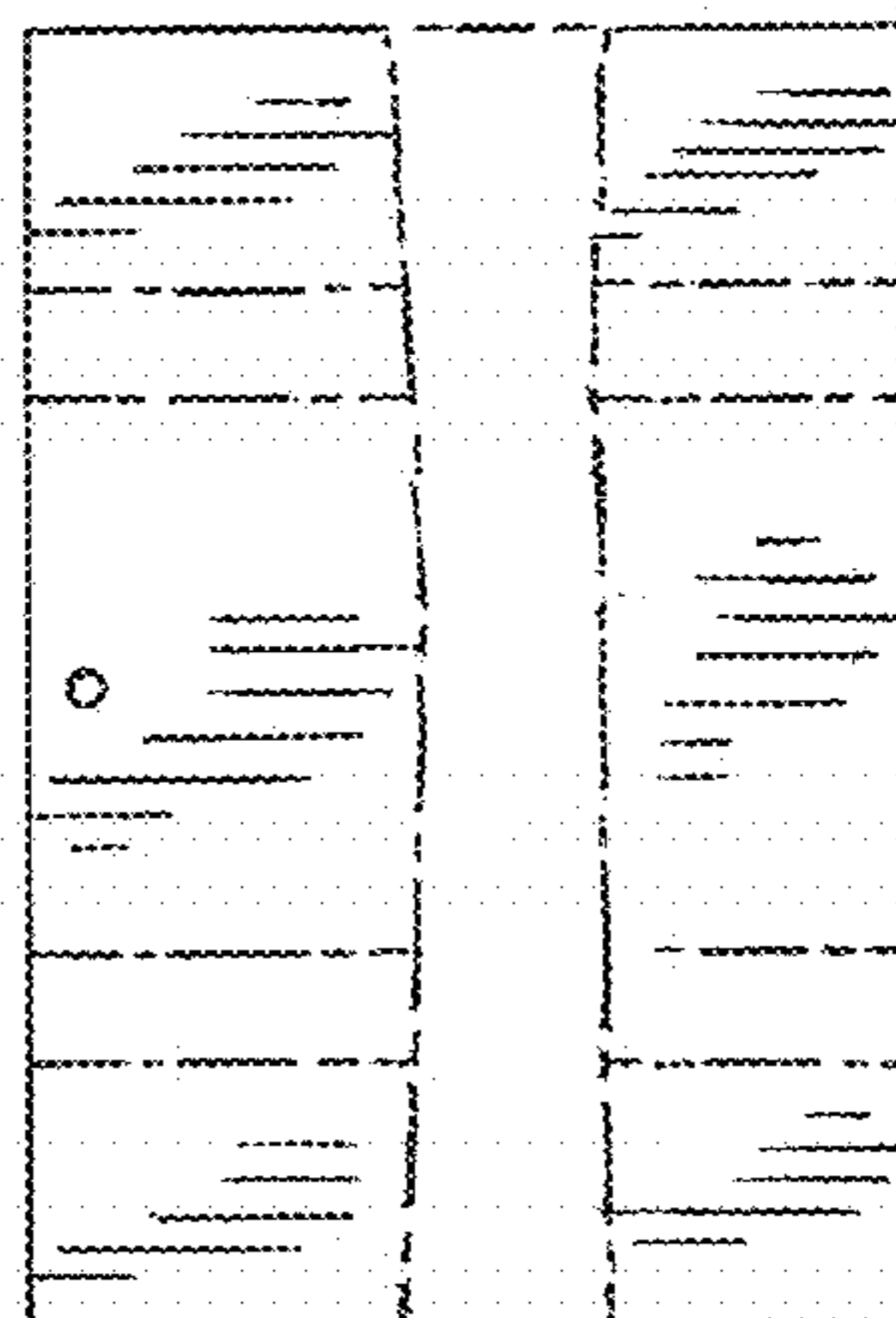


FIG. 10