

US00D761185S

(12) **United States Design Patent**
Coyle et al.

(10) **Patent No.:** **US D761,185 S**
(45) **Date of Patent:** **** Jul. 12, 2016**

- (54) **INTEGRATED TRUCK TAILGATE LINER AND GAME APPARATUS**
- (71) Applicant: **Penda Corporation**, Portage, WI (US)
- (72) Inventors: **Devin Coyle**, Waunakee, WI (US);
Anthony C. Wangelin, DeForest, WI (US)
- (73) Assignee: **Penda Corporation**, Portage, WI (US)
- (**) Term: **14 Years**
- (21) Appl. No.: **29/506,649**
- (22) Filed: **Oct. 17, 2014**
- (51) **LOC (10) Cl.** **12-16**
- (52) **U.S. Cl.**
USPC **D12/221**
- (58) **Field of Classification Search**
USPC D12/221, 98; D9/431-433, 44, 420,
D9/422, 423, 424
CPC B60R 99/00; B60R 5/00; B60R 7/04;
B60N 2/30
See application file for complete search history.

8,028,995 B2	10/2011	Hoffer	
8,127,689 B2	3/2012	Christian et al.	
8,146,921 B2	4/2012	Lombardi	
8,176,745 B1	5/2012	Korza et al.	
8,205,887 B2	6/2012	Wyland	
8,235,389 B1	8/2012	Herro et al.	
8,651,492 B1	2/2014	Cappuccio	
8,662,501 B1	3/2014	Perales	
D701,816 S *	4/2014	Noon	D12/221
8,996,462 B2 *	3/2015	Macaskill	H04L 67/306 707/634
2004/0188942 A1	9/2004	Trokan	
2005/0029747 A1	2/2005	Grayson	
2006/0027971 A1	2/2006	Radhakrishnan	
2011/0204570 A1	8/2011	Lombardi	
2012/0032402 A1	2/2012	Comee	
2012/0071278 A1	3/2012	Mansfield	
2012/0085269 A1	4/2012	Ohide	
2012/0256378 A1	10/2012	Brown	

(Continued)

OTHER PUBLICATIONS

<http://www.bpong.com/store/bpong-rack-set-2-racks/>, "Bpong.com We Are Beer Pong.", printout dated Jun. 17, 2014, 3 pages.

(Continued)

Primary Examiner — Katrina A Betton

(74) *Attorney, Agent, or Firm* — Boardman & Clark LLP

(56) **References Cited**

U.S. PATENT DOCUMENTS

D259,928 S *	7/1981	Weis	D12/221
4,333,678 A *	6/1982	Munoz	B60R 13/01 220/4.28
5,372,397 A *	12/1994	Arndt	B60R 13/01 296/39.2
D391,545 S	3/1998	Arndt et al.	
6,237,980 B1	5/2001	Miles et al.	
D479,499 S *	9/2003	Cameron	D12/196
D499,064 S *	11/2004	Hall	D12/221
D546,267 S *	7/2007	Burchett	D12/221
7,325,807 B1	2/2008	Eason	
7,451,709 B2	11/2008	Swartfager et al.	
7,805,959 B2	10/2010	Webb et al.	
8,006,980 B1	8/2011	Herro et al.	
D644,979 S *	9/2011	Wenrick	D12/221

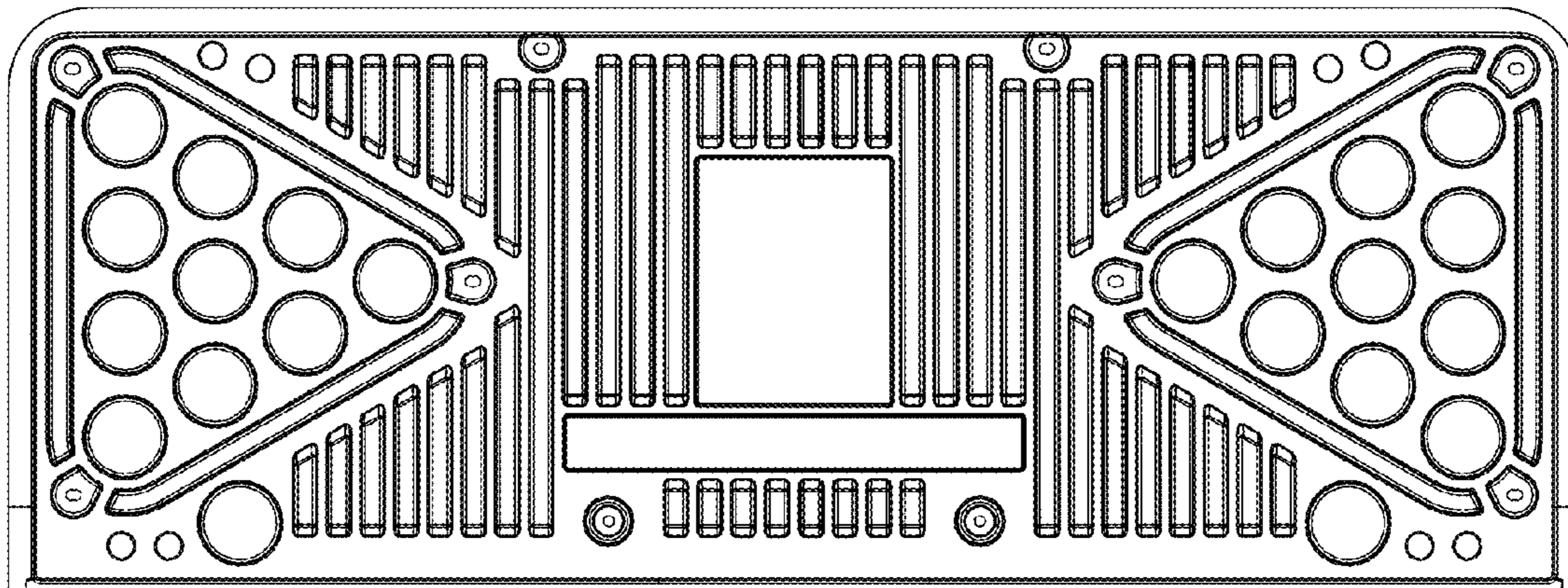
(57) **CLAIM**

The ornamental design for an integrated truck tailgate cover and game apparatus, as shown and described.

DESCRIPTION

FIG. 1 is a top, left, rear side perspective view of an integrated truck tailgate liner and game apparatus, the right side being a mirror image thereof;
FIG. 2 is a bottom plan view thereof; and,
FIG. 3 is a front elevation view thereof.
The broken lines (if any) are provided for illustrative purposes only and form no part of the claimed design.

1 Claim, 1 Drawing Sheet



(56)

References Cited

U.S. PATENT DOCUMENTS

2013/0134677 A1 5/2013 McDonnell
2014/0027983 A1 1/2014 Keebler
2014/0103609 A1 4/2014 Miastkowski, Jr.

OTHER PUBLICATIONS

<http://cdn.bpong.com/wp-content/uploads/1012/03/racks-600.jpg>,
printout dated Jun. 17, 2014, 1 page.

<http://cdn.bpong.com/wp-content/uploads/2012/03/rack-with-cups-600.jpg>, printout dated Jun. 17, 2014, 1 page.

<http://www.bpong.com/tournament-rules/>, Official Rules and Regulations of The World Series of Beer Pong, printout dated Jun. 17, 2014, 9 pages.

<http://www.bpong.com/beer-pong-rules/>, Typical Beer Pong House Rules, printout dated Jun. 17, 2014, 3 pages.

<http://www.bpong.com/store/product-category/beer-pong-tables/>, Beer Pong Tables, printout dated Jun. 17, 2014, 3 pages.

* cited by examiner

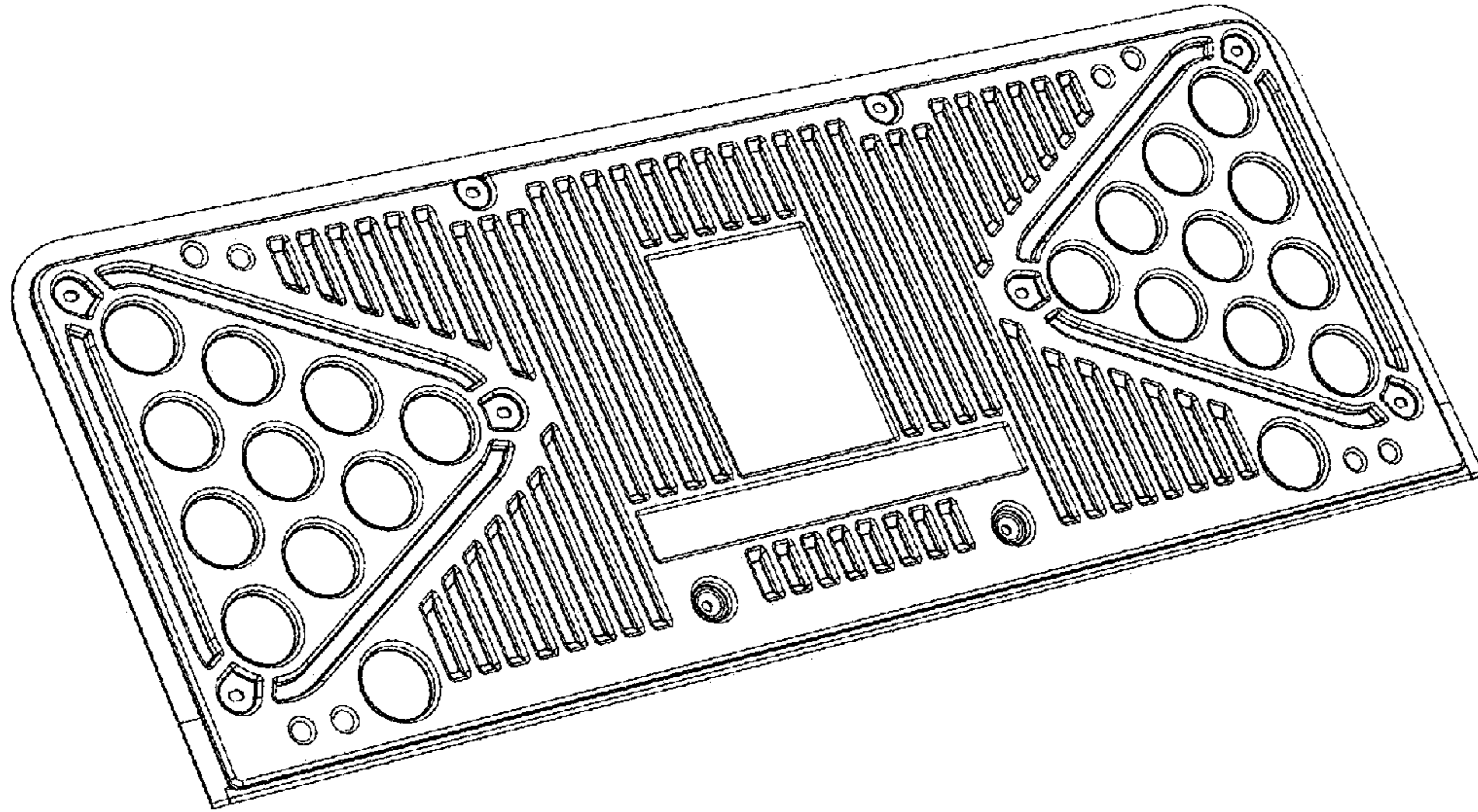


FIG. 1

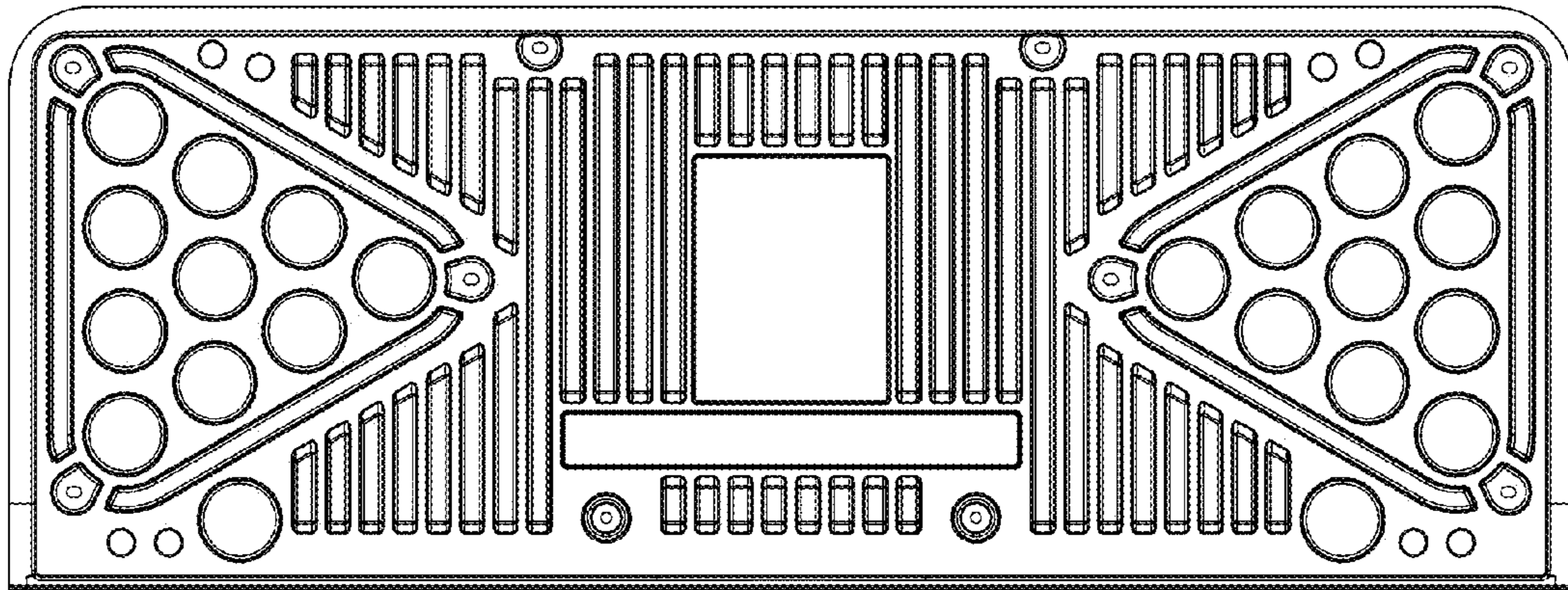


FIG. 2

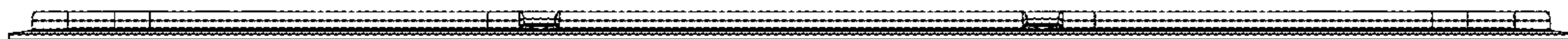


FIG. 3