

US00D761182S

(12) **United States Design Patent**
Valencia Pollex

(10) **Patent No.:** **US D761,182 S**
(45) **Date of Patent:** **** Jul. 12, 2016**

(54) **VEHICLE WHEEL RIM**

(71) Applicant: **AUDI AG**, Ingolstadt, DE (US)

(72) Inventor: **Andreas Valencia Pollex**, Ingolstadt (DE)

(73) Assignee: **AUDI AG**, Ingolstadt (DE)

(**) Term: **14 Years**

(21) Appl. No.: **29/509,493**

(22) Filed: **Nov. 18, 2014**

(30) **Foreign Application Priority Data**

May 19, 2014 (EM) 002466144-0001

(51) **LOC (10) Cl.** **12-16**

(52) **U.S. Cl.**
USPC **D12/211**

(58) **Field of Classification Search**
USPC D12/204-213
CPC B60B 7/00; B60B 7/02; B60B 7/04;
B60B 7/01; B60B 7/06; B60B 3/02; B60B
3/04; B60B 3/06; B60B 3/10; B60B 1/00;
B60B 1/08; B60B 1/10; B60B 1/12
See application file for complete search history.

(56) **References Cited**

U.S. PATENT DOCUMENTS

D457,478 S * 5/2002 Minamisawa D12/211
D522,434 S * 6/2006 Langer D12/209

D558,118 S * 12/2007 Hueller D12/211
D584,211 S * 1/2009 Farny D12/211
D594,397 S * 6/2009 Laengerer D12/211
D594,801 S * 6/2009 Imai D12/211
D598,834 S * 8/2009 Juergens D12/209
D621,765 S * 8/2010 Baum D12/209
D625,675 S * 10/2010 Juergens D12/209
D634,691 S * 3/2011 Park D12/211
D644,977 S * 9/2011 Juergens D12/211
D650,315 S * 12/2011 Juergens D12/211
D660,762 S * 5/2012 Gabath D12/209
D671,059 S * 11/2012 Pollmann D12/209
D673,104 S * 12/2012 Lemke D12/211
D682,764 S * 5/2013 Amezqueta D12/211
D718,206 S * 11/2014 Song D12/211
D729,721 S * 5/2015 Fahr-Becker D12/211
D744,402 S * 12/2015 Watkin D12/211

* cited by examiner

Primary Examiner — Stacia Cadmus

(74) *Attorney, Agent, or Firm* — Lucas & Mercanti, LLP;
Klaus P. Stoffel

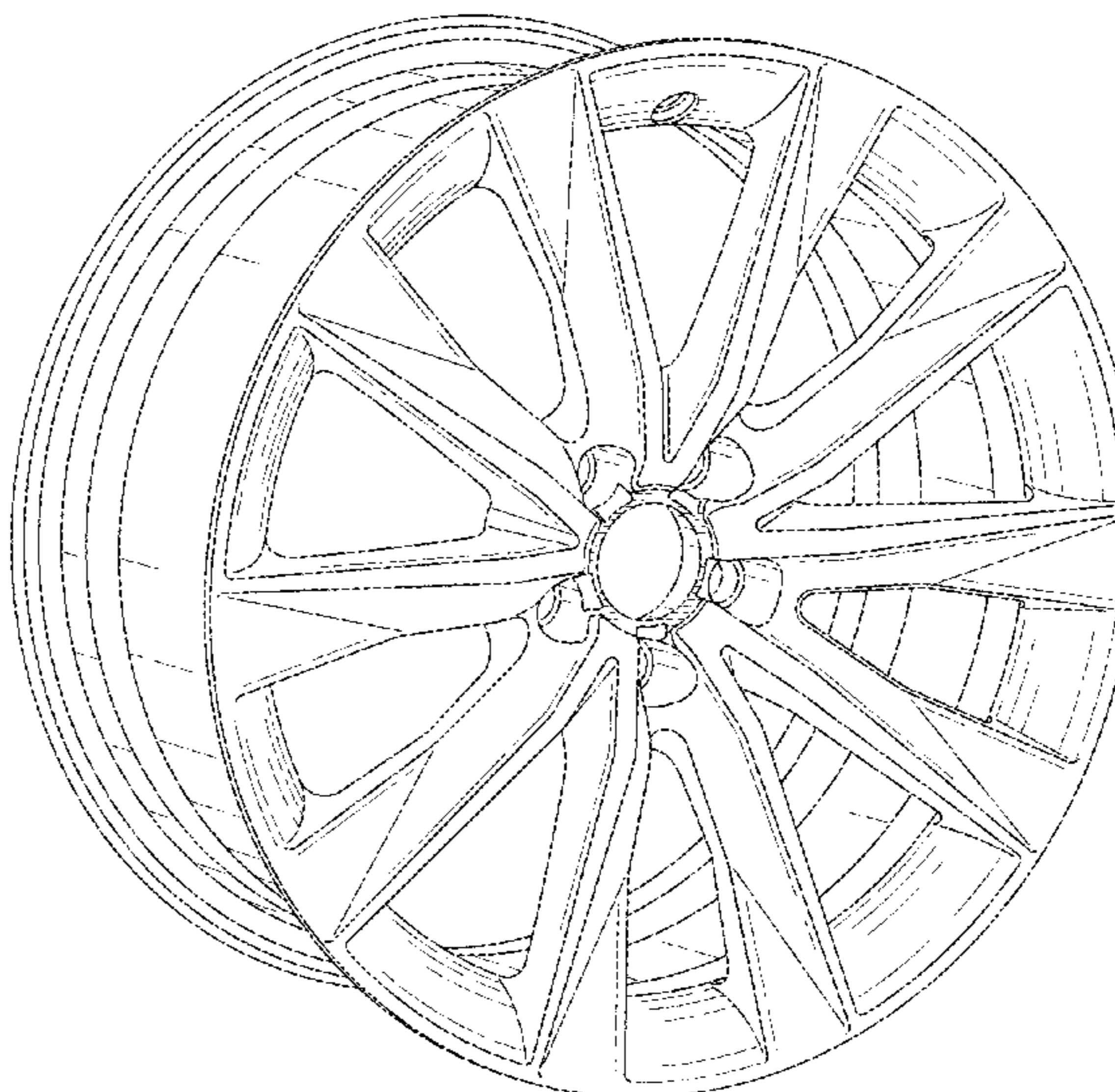
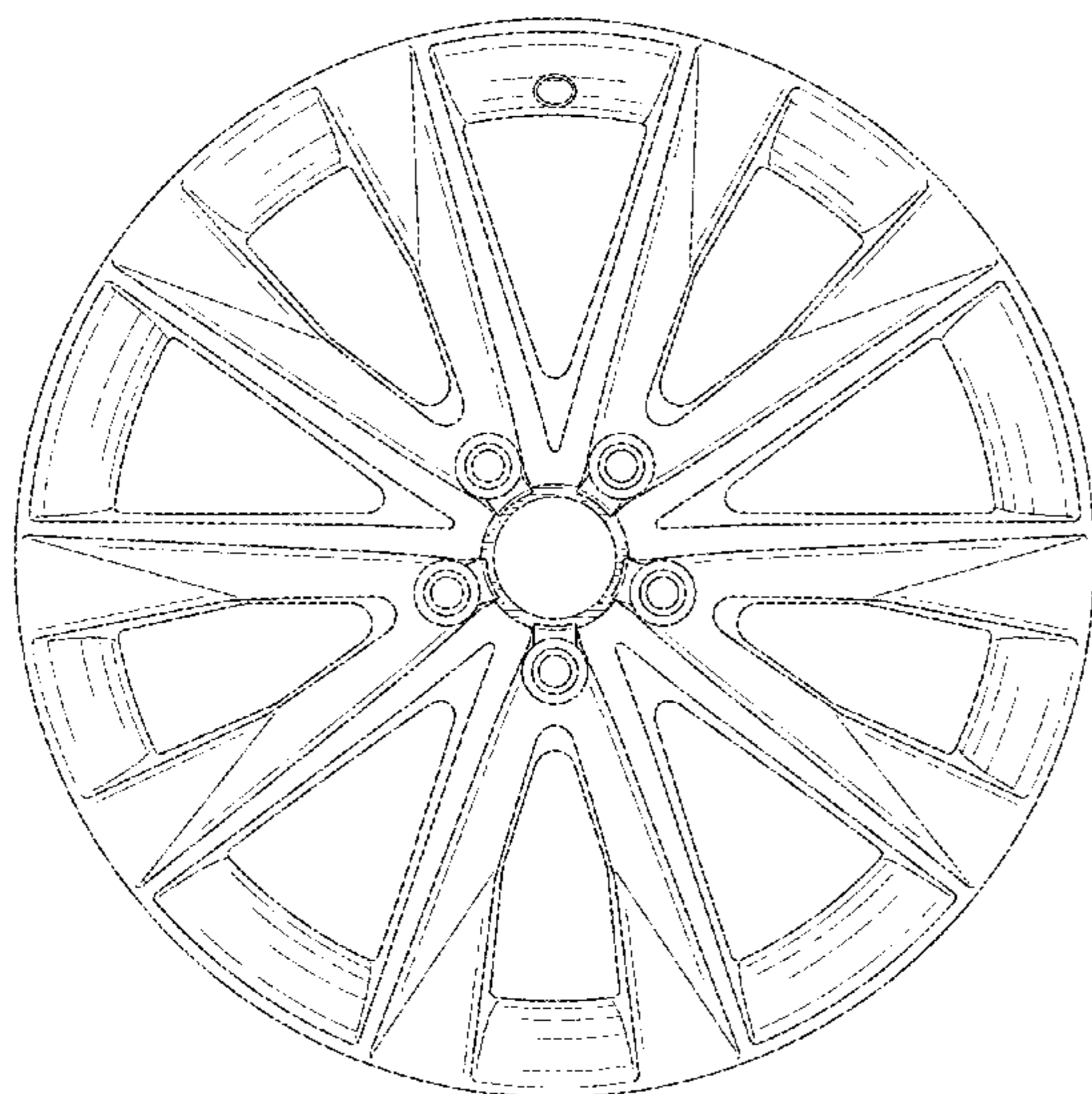
(57) **CLAIM**

The ornamental design for a vehicle wheel rim, as shown and described.

DESCRIPTION

FIG. 1 is a front view of the vehicle wheel rim of the present invention; and,
FIG. 2 is a perspective view thereof.

1 Claim, 2 Drawing Sheets



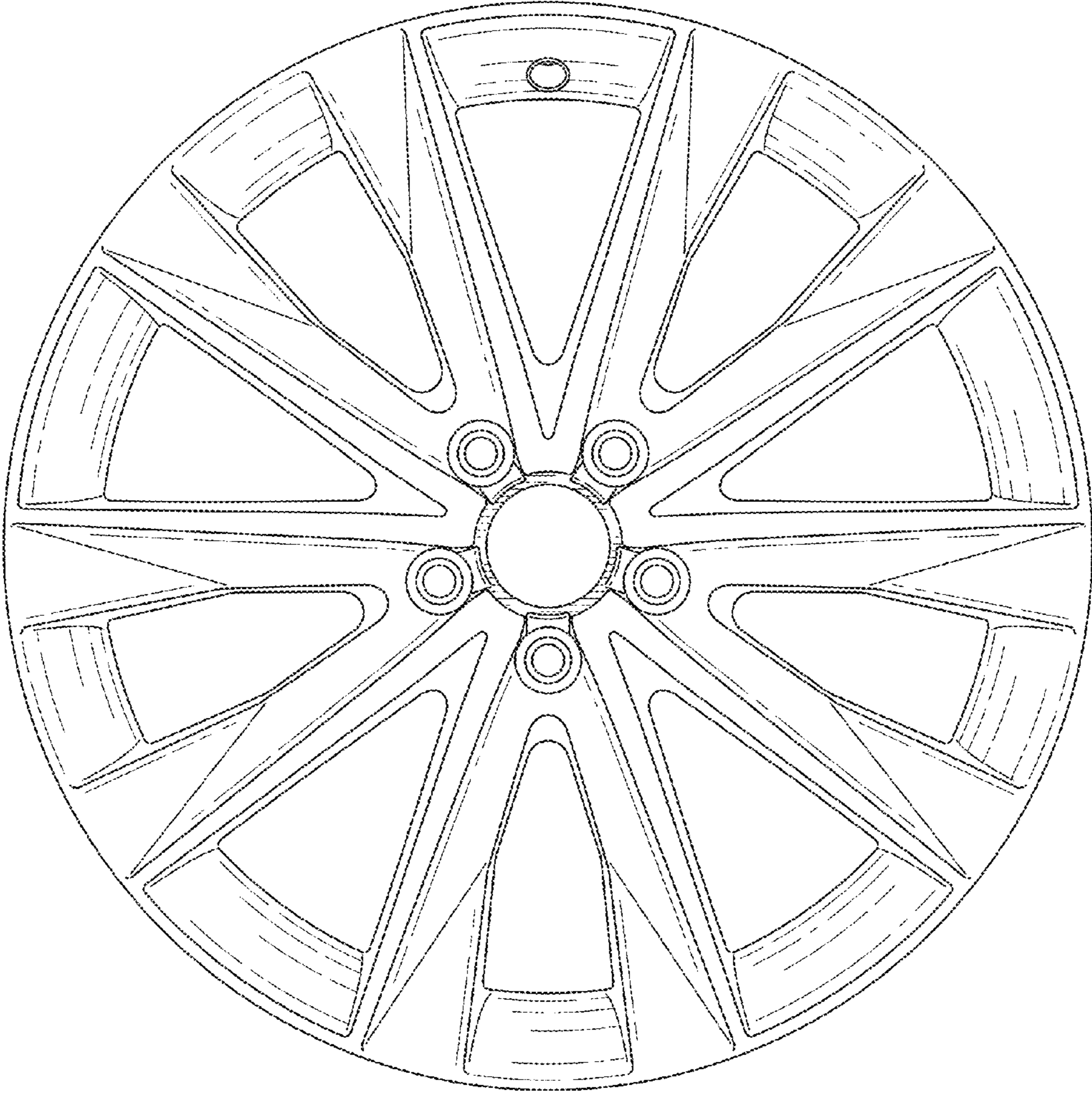


FIG. 1

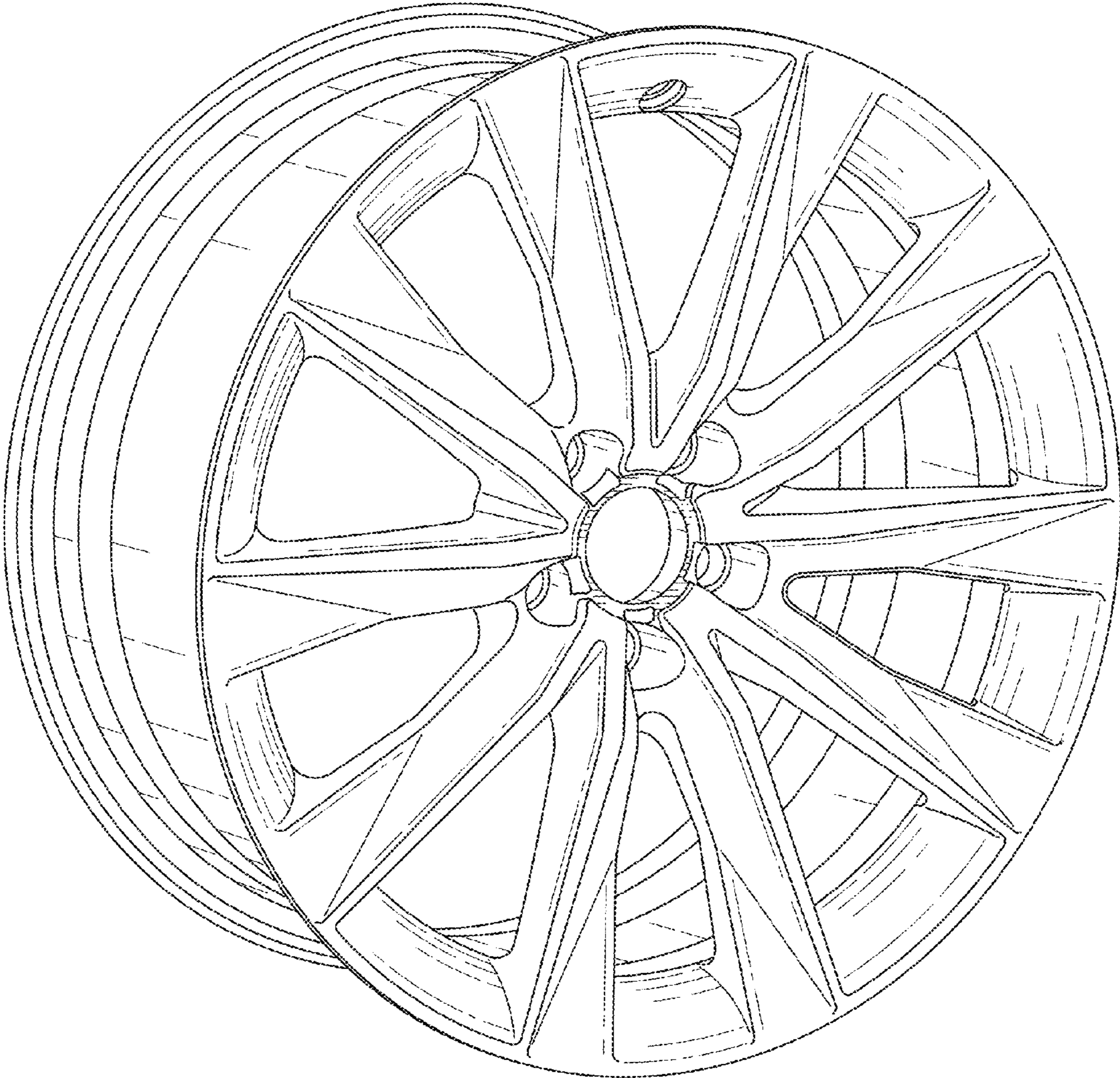


FIG. 2

UNITED STATES PATENT AND TRADEMARK OFFICE
CERTIFICATE OF CORRECTION

PATENT NO. : D761,182 S
APPLICATION NO. : 29/509493
DATED : July 12, 2016
INVENTOR(S) : Andreas Valencia Pollex

Page 1 of 1

It is certified that error appears in the above-identified patent and that said Letters Patent is hereby corrected as shown below:

TITLE PAGE

(71) Applicant should read: AUDI AG, Ingolstadt (DE)

Signed and Sealed this
Fourth Day of October, 2016



Michelle K. Lee
Director of the United States Patent and Trademark Office